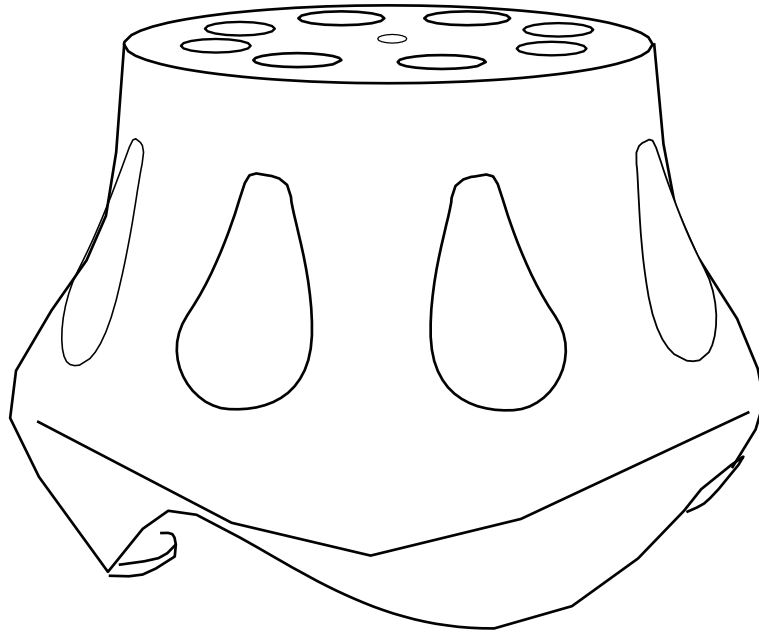


OUTDOOR SUBWOOFER INSTALL GUIDE

**HI GRADE IP66 SUBWOOFER**

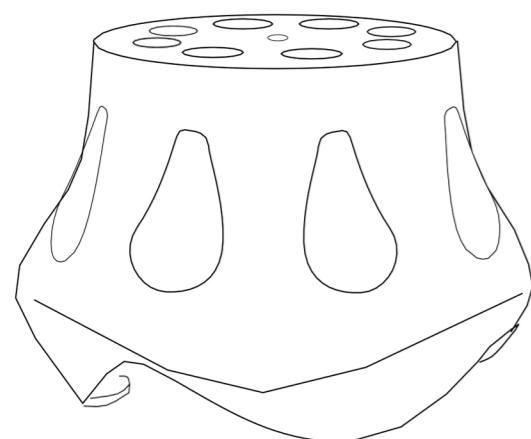
ARRAY-SUB1000/ ARRAY-SUB1000B



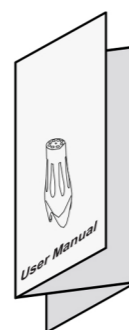
## Safety Instructions

1. Please read the instructions carefully before installation and use. Keep the manual for future reference.
2. When installing the speaker outside do not submerge or place them in direct contact with water ( ponds, water features or fountains).
3. Handle with care, damage to the speaker may occur if dropped or mishandled - resulting in loss of sound or poor sound quality.
4. Use only approved and certified wiring in your installation. Do not stretch or place the wire where it may come in contact with sharp objects.
5. Never overdrive your speakers to the point of distortion and always reduce the volume level prior to switching input sources (FM to CD etc...).
6. Prior to removing any cables ensure all power to your amplifier and other components is turned OFF.
7. Turn off the power to the speaker when unused for any long period of time.

## Packing List



SUB-10FS Subwoofer



User Manual



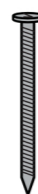
Cover



Security Eye-bolt x4



Wire Nuts X2



Mounting Screw X2



hex (agonal) screw x4



rubber pads x4

## Installation

### Deck Mount

1. Determine where you want to locate the subwoofer.
2. Measure the center-to-center distance between the key-hole slots and install two mounting screws into the deck, leaving 1/4" of the screw exposed above the surface. (Diagram 1)
3. Place the subwoofer onto the pan head screws and rotate clockwise to lock into position over the key-hole slots. (Diagram 1)

### Garden Placement

You may locate the SUB-10FS anywhere you can run speaker wire. If you place your subwoofer in a garden bed, on grass, mulch or upon soft ground we recommend you place it on a paver or other hard surface and remove all gravel and debris prior to installation. This will prevent plants, weeds and dirt from building up under the speaker that may cause damage or loss in performance.

NOTE: For anti-theft security and permanent placement the SUB-10FS has a built-in eye bolt that enables you to anchor it's location. (Diagram 2)

Security Eye-Bolt

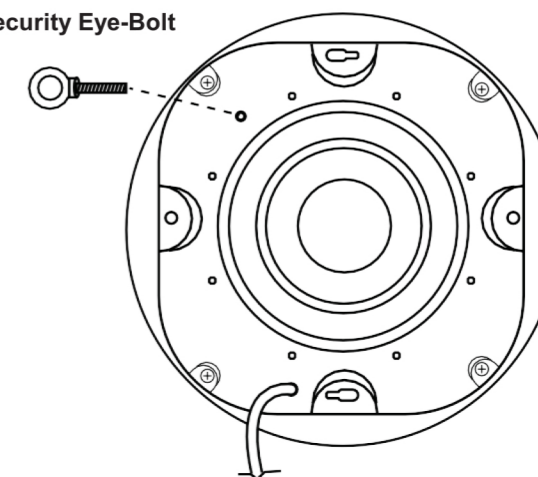
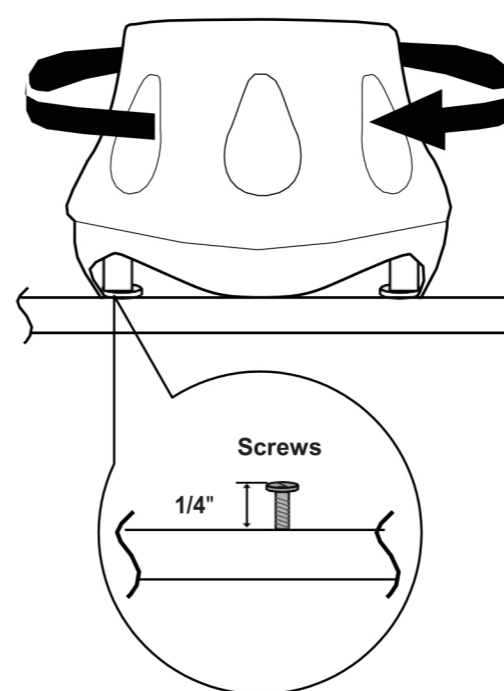
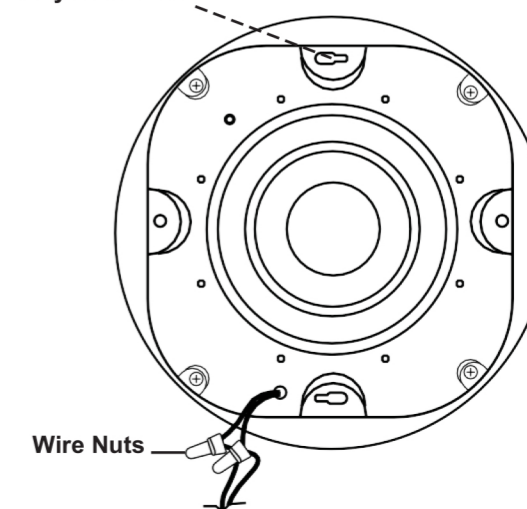


Diagram 2

Diagram 1



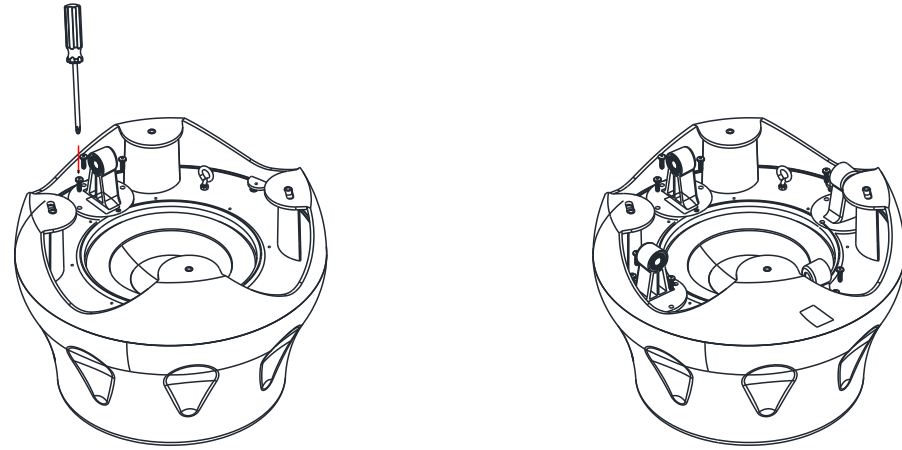
Key-Hole Slots



Wire Nuts

Diagram 3

Instructions for use  
option1.

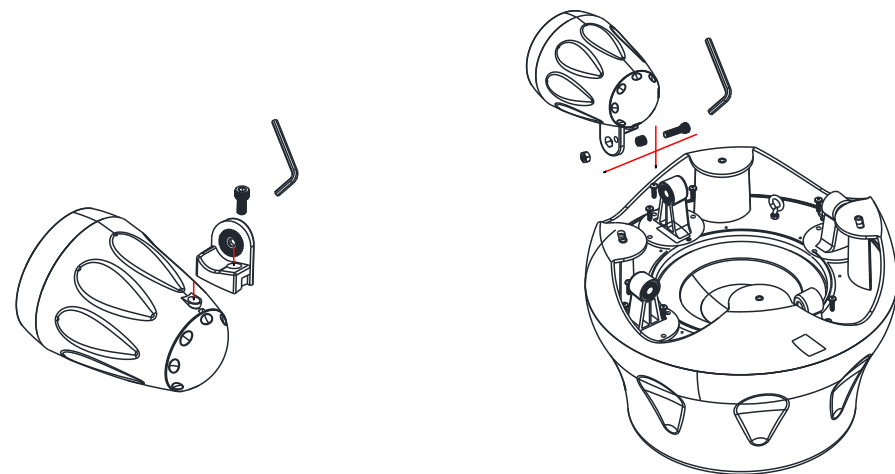


1. screw brackets to the subwoofer and repeat process.



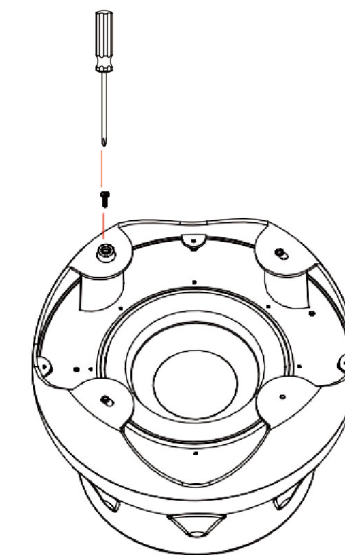
3. attach speaker to the subwoofer and repeat process for other 3 speakers.

4. After the speakers are attached, place the top cover on top using hook screws



2. attach the mounting bracket to the speaker unit.

option2.



installation using screw driver to attach rubber pads to 4 corners

---

## Specification

<b>IP66 Rated</b>	Dust Proof and Water Resistant.
<b>Woofers</b>	10" Polypropylene Cone
<b>Power</b>	300 Watts Max
<b>Freq Response</b>	20 - 300Hz
<b>Sensitivity</b>	86 dB
<b>Impedance</b>	4 Ohm
<b>Dimensions</b>	(HxWxD) 12.2" x 16.5" x 16.5" inch

# SPECIFICATIONS

---

Model: SUB-10FS

Woofers: 10 inch. Graphite Cone, Rubber Surround

Impedance(AC): 4Ω

Sensitivity( Output SPL ) : 86±3dB

Freq. Range: 50~300Hz

Power Handling RMS (Rated Input power): 150W

Housing Material : PP

Dimension(W\*H\*D): 310\*420\*420mm

