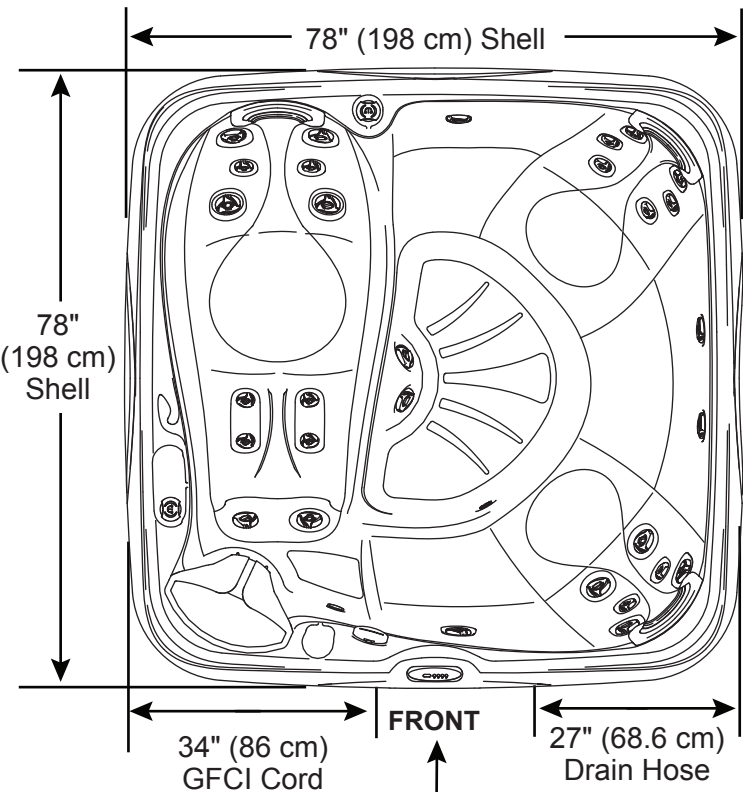


TOP VIEW



Behind the cabinet
Equipment Bay/Pump Access

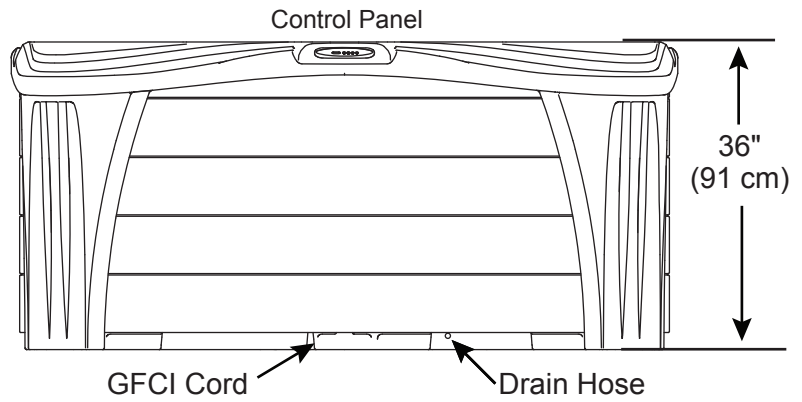


IMPORTANT! Always measure each hot tub for exact dimensions BEFORE designing its foundational support and/or decking.



FRONT VIEW

Tolerance: $\pm 0.5"$ (1.27 cm)



LEFT/RIGHT SIDE VIEW

Tolerance: $\pm 0.5"$ (1.27 cm)

