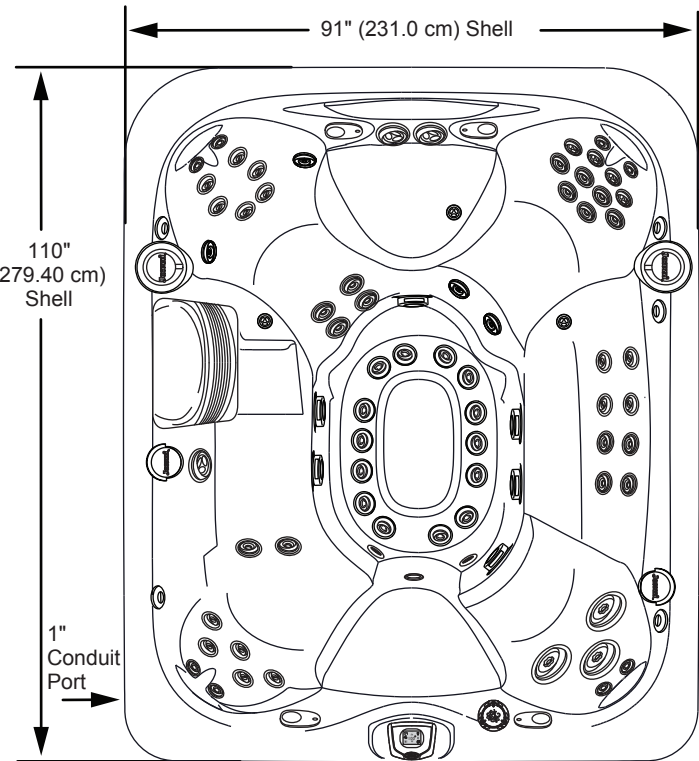
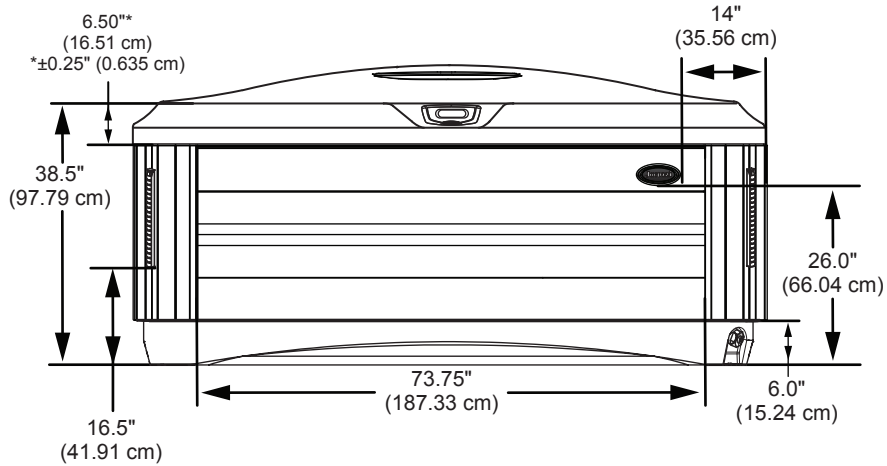


TOP VIEW



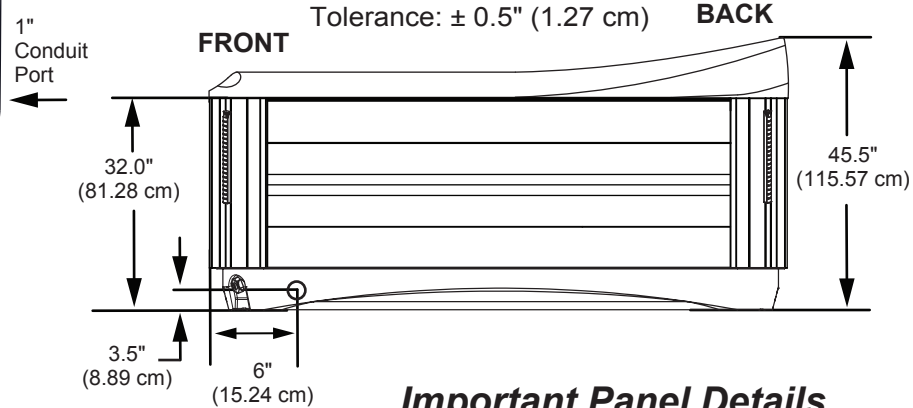
Equipment Bay/Pump Access
CLEARRAY, Optional BLUEWAVE®,
and Optional SmartTub System
located behind the cabinet

FRONT VIEW
Tolerance: ± 0.5" (1.27 cm)



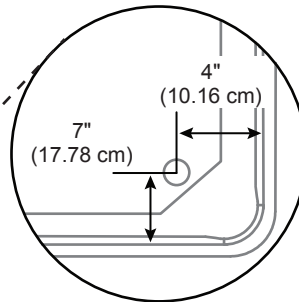
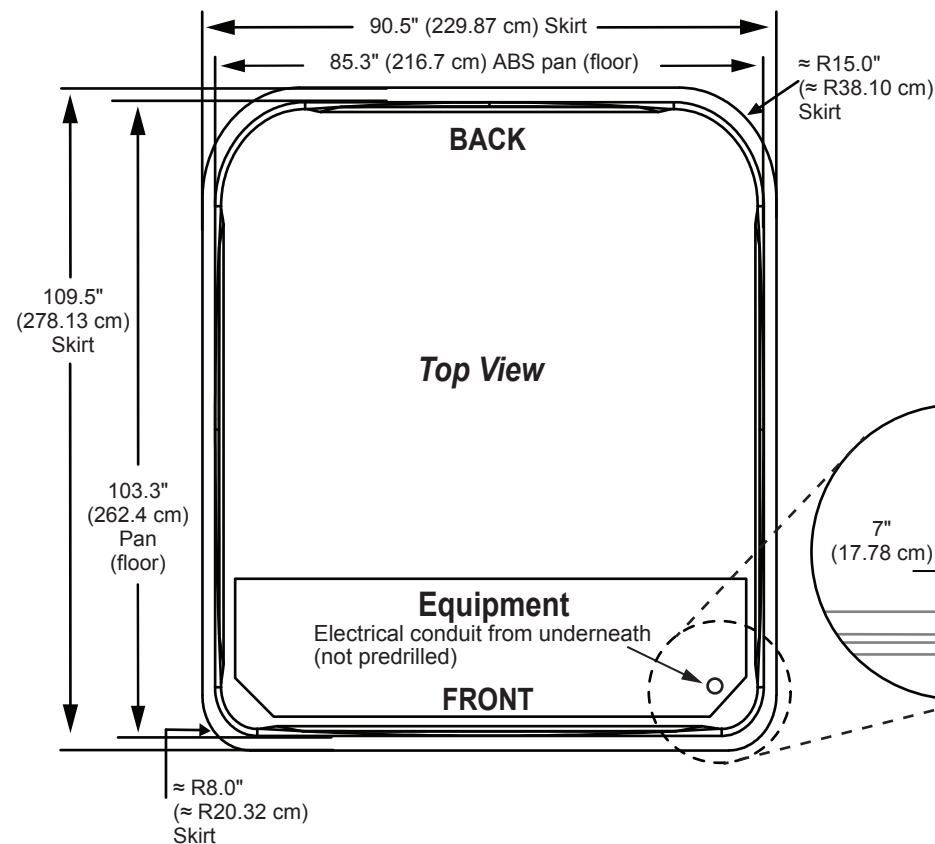
RIGHT SIDE VIEW

Tolerance: ± 0.5" (1.27 cm)



Important Panel Details

NOTE: Over time the panel(s) may bow, this is considered normal. The panels will straighten out when reinstalled into the mounting channel. Place one end of the panel into the channel first then flatten the panel and insert the other end.



IMPORTANT! Always measure each hot tub for exact dimensions **BEFORE** designing its foundational support and/or decking.

