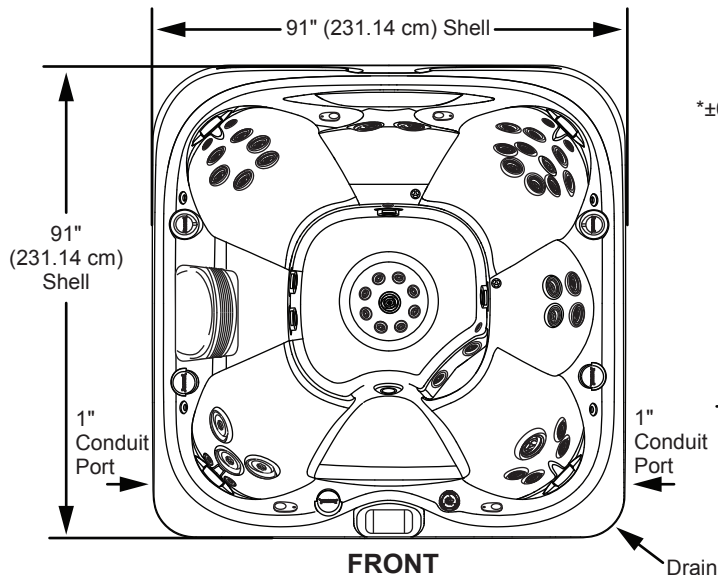


TOP VIEW



Equipment Bay/Pump Access
CLEARARRAY, Optional BLUEWAVE®,
and Optional SmartTub System
located behind the cabinet

Important Panel Details

NOTE: Over time the panel(s) may bow, this is considered normal. The panels will straighten out when reinstalled into the mounting channel. Place one end of the panel into the channel first then flatten the panel and insert the other end.

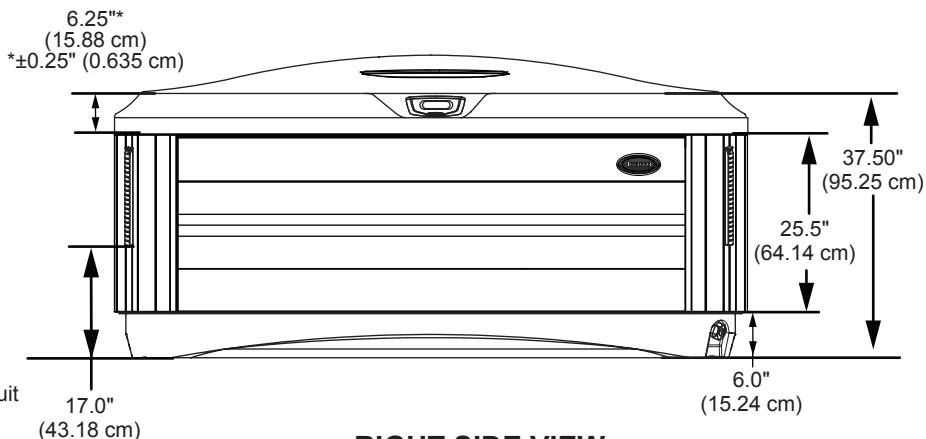


IMPORTANT! Always measure each hot tub for exact dimensions BEFORE designing its foundational support and/or decking.



FRONT VIEW

Tolerance: ± 0.5" (1.27 cm)



RIGHT SIDE VIEW

Tolerance: ± 0.5" (1.27 cm)

BACK

