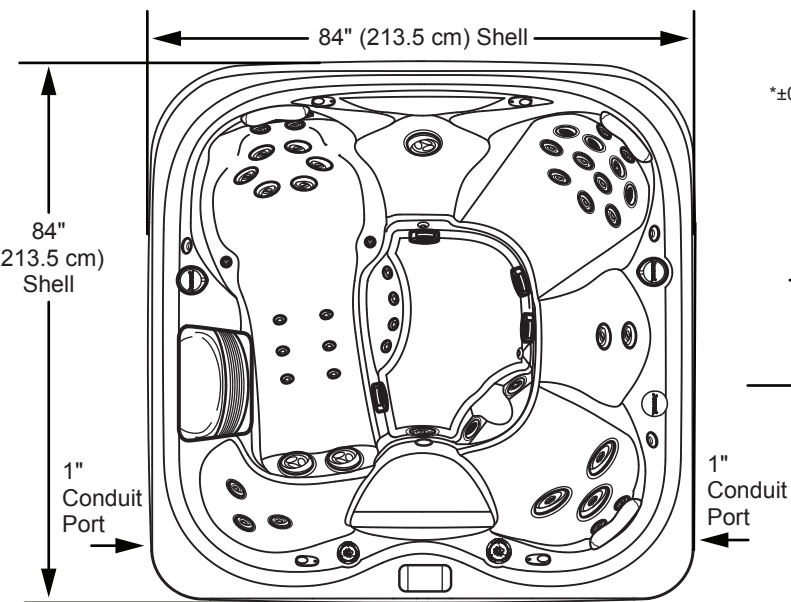
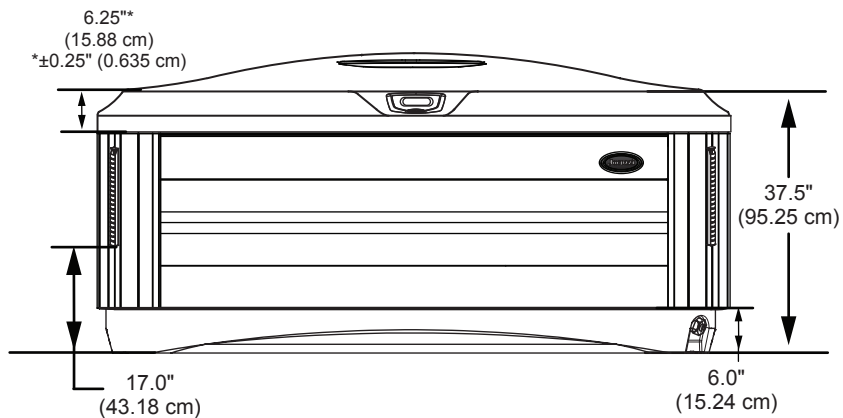


**TOP VIEW**



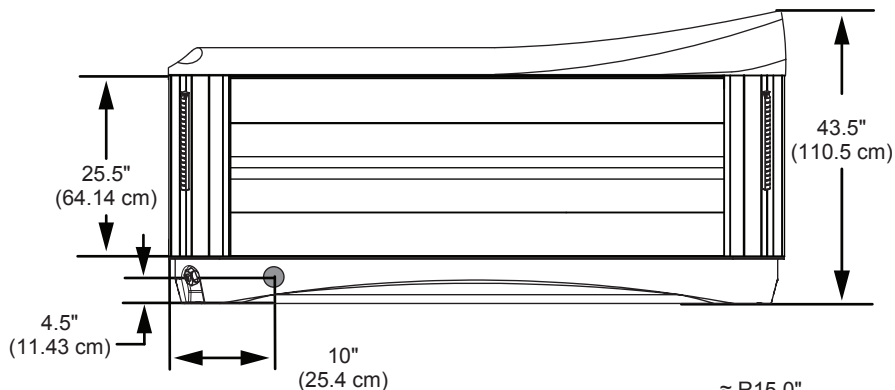
**FRONT VIEW**  
Tolerance: ± 0.5" (1.27 cm)



**FRONT**

Equipment Bay/Pump Access  
CLEARRAY, Optional BLUEWAVE®,  
and Optional SmartTub System  
located behind the cabinet

**RIGHT SIDE VIEW**  
Tolerance: ± 0.5" (1.27 cm)



**Important Panel Details**

**NOTE:** Over time the panel(s) may bow, this is considered normal. The panels will straighten out when reinstalled into the mounting channel. Place one end of the panel into the channel first then flatten the panel and insert the other end.



**IMPORTANT! Always measure each hot tub for exact dimensions BEFORE designing its foundational support and/or decking.**

