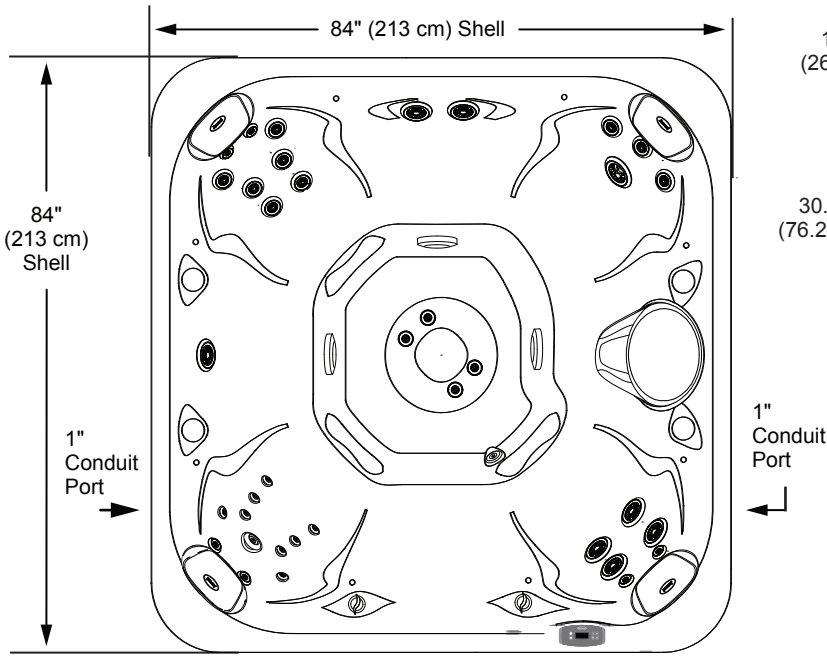
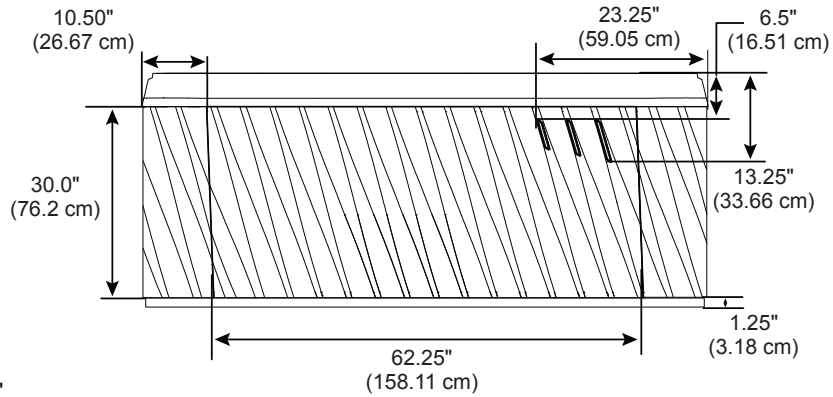


### TOP VIEW



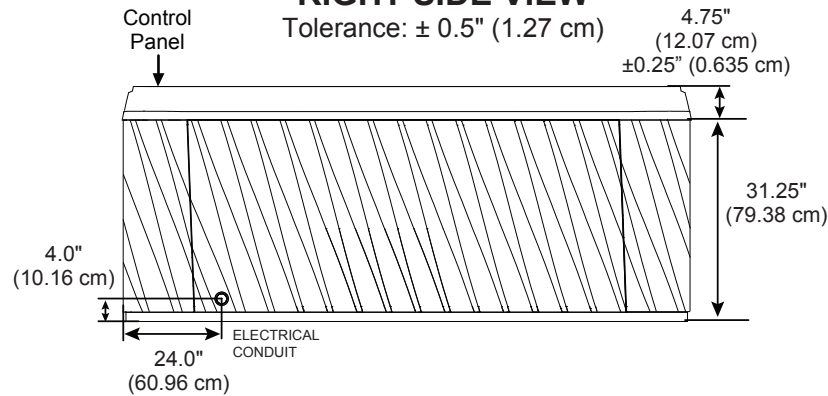
### FRONT VIEW

Tolerance:  $\pm 0.5"$  (1.27 cm)



### RIGHT SIDE VIEW

Tolerance:  $\pm 0.5"$  (1.27 cm)



Front

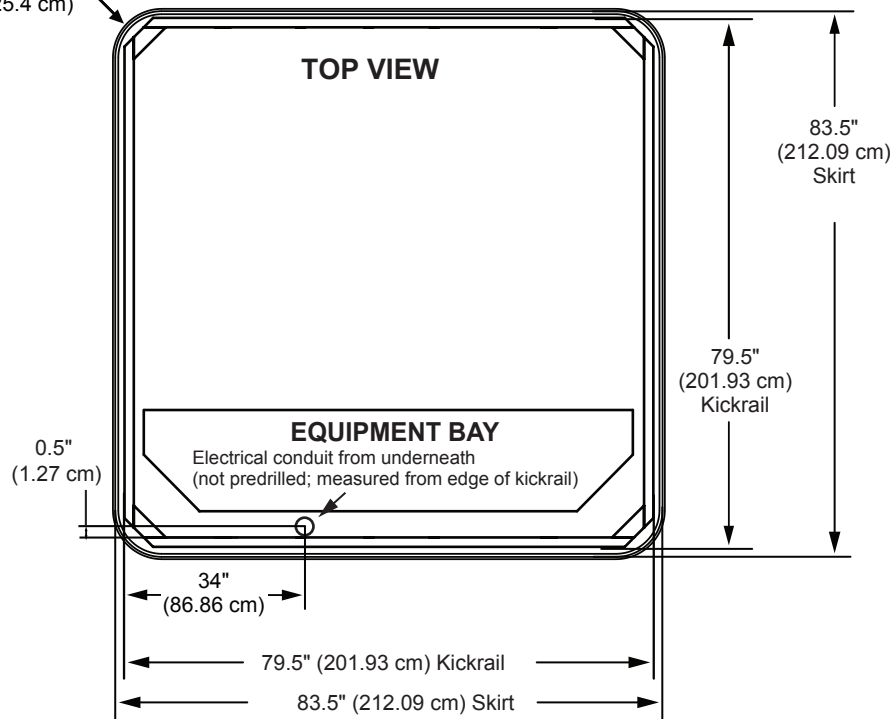
Equipment Bay/  
Pump Access, CLEARRAY,  
Drain,  
Optional SmartTub System



**IMPORTANT! Always measure each hot tub for exact dimensions BEFORE designing its foundational support and/or decking.**



Cabinet Radius:  
 $\approx 10.0"$  (25.4 cm)



Dimensions/specifications subject to change without notice. Tolerance:  $\pm 0.5"$  (1.27 cm)