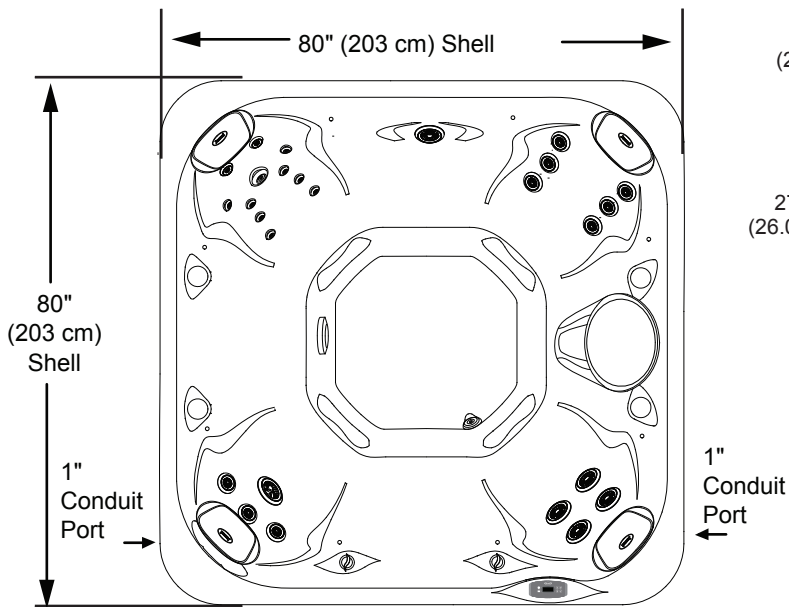


TOP VIEW

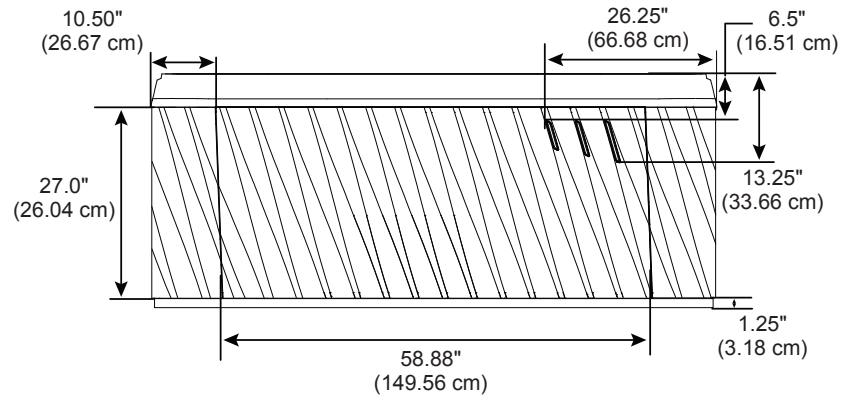


Front

Equipment Bay/
Pump Access, CLEARRAY, Drain,
Optional SmartTub System

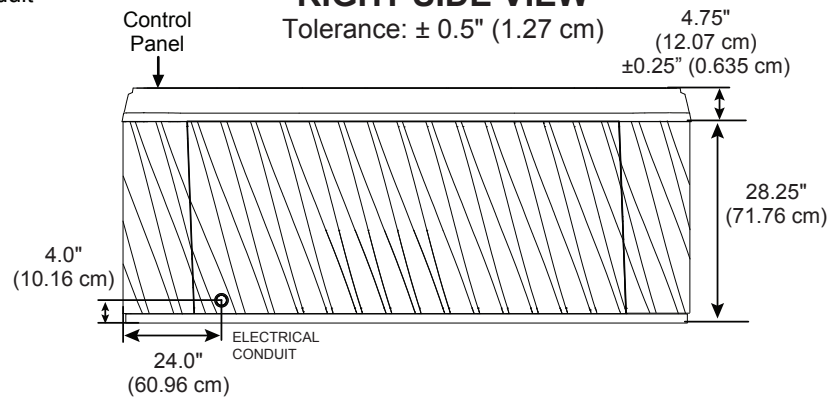
FRONT VIEW

Tolerance: $\pm 0.5"$ (1.27 cm)



RIGHT SIDE VIEW

Tolerance: $\pm 0.5"$ (1.27 cm)



IMPORTANT! Always measure each hot tub for exact dimensions BEFORE designing its foundational support and/or decking.



Cabinet Radius:
 $\approx 10.0"$ (25.4 cm)

