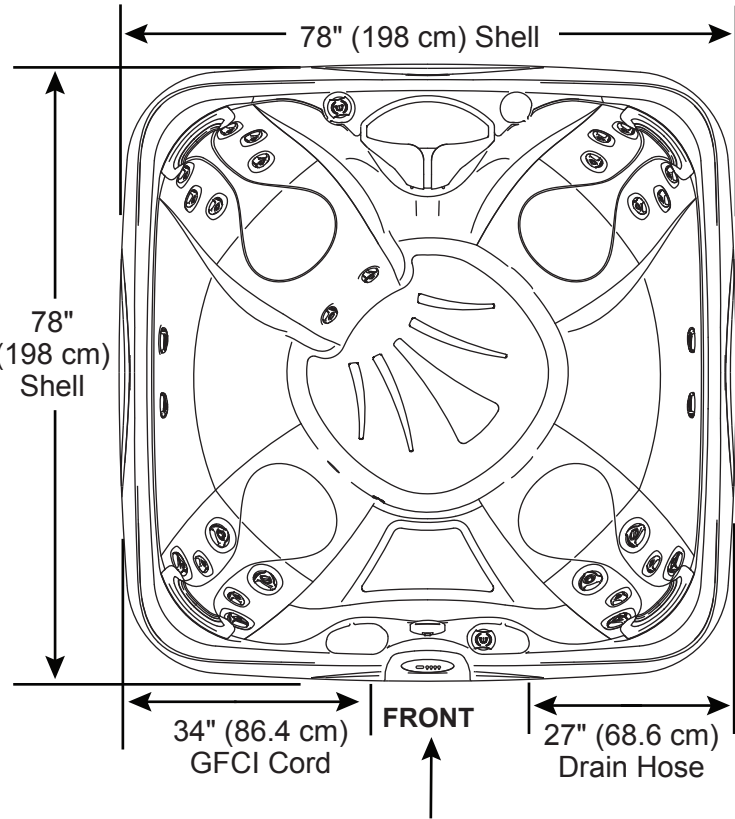


**TOP VIEW**



Behind the cabinet  
Equipment Bay/Pump Access

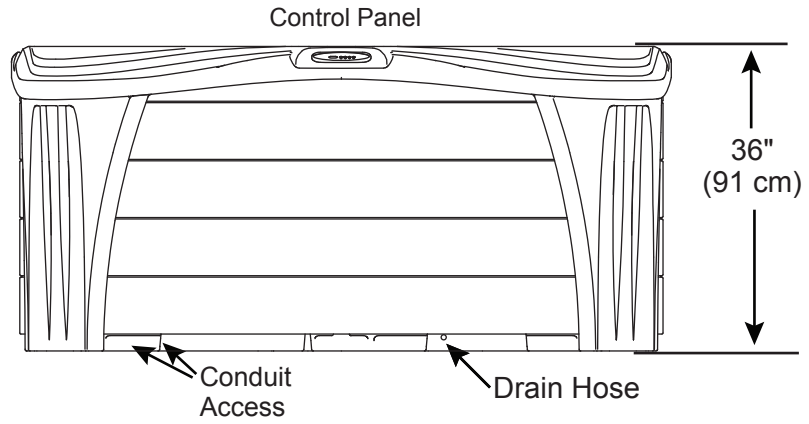


**IMPORTANT! Always measure each hot tub for exact dimensions BEFORE designing its foundational support and/or decking.**



**FRONT VIEW**

Tolerance:  $\pm 0.5"$  (1.27 cm)



**LEFT/RIGHT SIDE VIEW**

Tolerance:  $\pm 0.5"$  (1.27 cm)

