



Spectrum  
Bluetooth Speaker



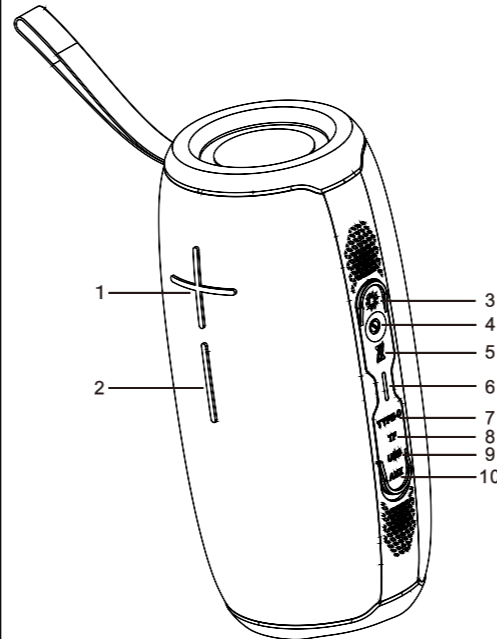
User Manual

## Technical specification

Bluetooth version : 5.0  
Transmission distance: 10 meters  
Output power: 12W X 2 (24W)  
Playtime: upto 15 hours (at 50% volume)  
Frequency effect: 80Hz-15Khz  
Speaker: 66mm  
Input power: DC 5V  
Battery type: 4000mAh  
Audio input : 3.5mm headphone jack (stereo)

## Features

1. Bluetooth connection
2. Memory function, breakpoint resuming
3. Support USB/TF card/AUX playback mode
4. Built-in lithium ion battery
5. Supports MP3 format music
6. IPX5 Splashproof
7. TWS (True Wireless Stereo) system
8. FM Radio
9. 180 degree pulsating light
10. High fidelity speakers



iGear Spectrum button guide

## Keys to Operation

1. Volume up button: Press once to increase the Volume/Long press for the next song.
2. Volume down button: Press once to decrease the Volume/Long press for the previous song.
3. Pulsating Light button  
Long press to turn ON/OFF the light mode.  
Short press to switch between different light modes.  
Double click to disconnect/reconnect Bluetooth connection.
4. Power Button  
Long press to turn ON/OFF the speaker  
Single click to Play/Pause the song.
5. TWS Button/Mode Button  
Single click to connect/disconnect two "iGear Spectrum" speakers simultaneously  
Long press to switch modes  
Double-click in Bluetooth Mode to redial;  
Short-press to answer/hang up a call.  
In case of an incoming call, long press for 2 seconds to reject the incoming call.
6. LED Indicator  
The LED indicator flashes continuously while waiting for the speaker to be paired. Once the connection is successful, the LED indicator will stop flashing and will stay ON.
7. Type-C Charging Port
8. TF card slot
9. USB drive slot
10. AUX Jack  
When using the radio , you need to insert the AUX cable as a radio antenna.

## Directions to use

### 1. Bluetooth pairing

Turn on the Bluetooth on your device, search for "iGear Spectrum", connect and pair. After successful connection, start playing your desired music.

### 2. TWS mode

Turn on two "iGear Spectrum" speakers at the same time, short press the TWS button on one of the speakers once you hear a beep, the speaker enters into the TWS mode, there will be a prompt when the pairing is successful. After the pairing is successful, the LED indicator of the main speaker flashes, and the LED indicator of the secondary speaker will stay on.

### 3. Mode switching

The speaker enters the Bluetooth mode by default when it is turned on. To switch modes long press the TWS button  
The sequence of mode switching is as follows:

- 1) Bluetooth mode
- 2) TF card mode
- 3) USB mode
- 4) AUX mode.

### 4. Battery Percentage

There are 4 LEDs in the LED indicator that shows the battery percentage of the speaker 4 LEDs flashing equals to 100%, 3 LEDs flashing equals to 75%, 2 LEDs flashing equals to 50% and 1 LED flashing equals to 25% battery

## Troubleshooting:

1. Auto shutdown: When the battery power is low, the battery saver function will turn on automatically, please charge it for 4 hours before use.
2. If there is no sound when connected to the computer: the computer interface is connected incorrectly, please select the correct audio output port.
3. If there is no response from the keys when pressed: try restarting the speaker.
4. If the speaker has an abnormality, you can short press the light mode button twice to reset it.

## Warranty

Warranty period: 1 Year  
In case of consumer complaints:  
Customer care - +91 9372667193  
Email: support@igear.asia  
(Between 10am to 5pm, Mon-Fri)  
www.igearworld.com