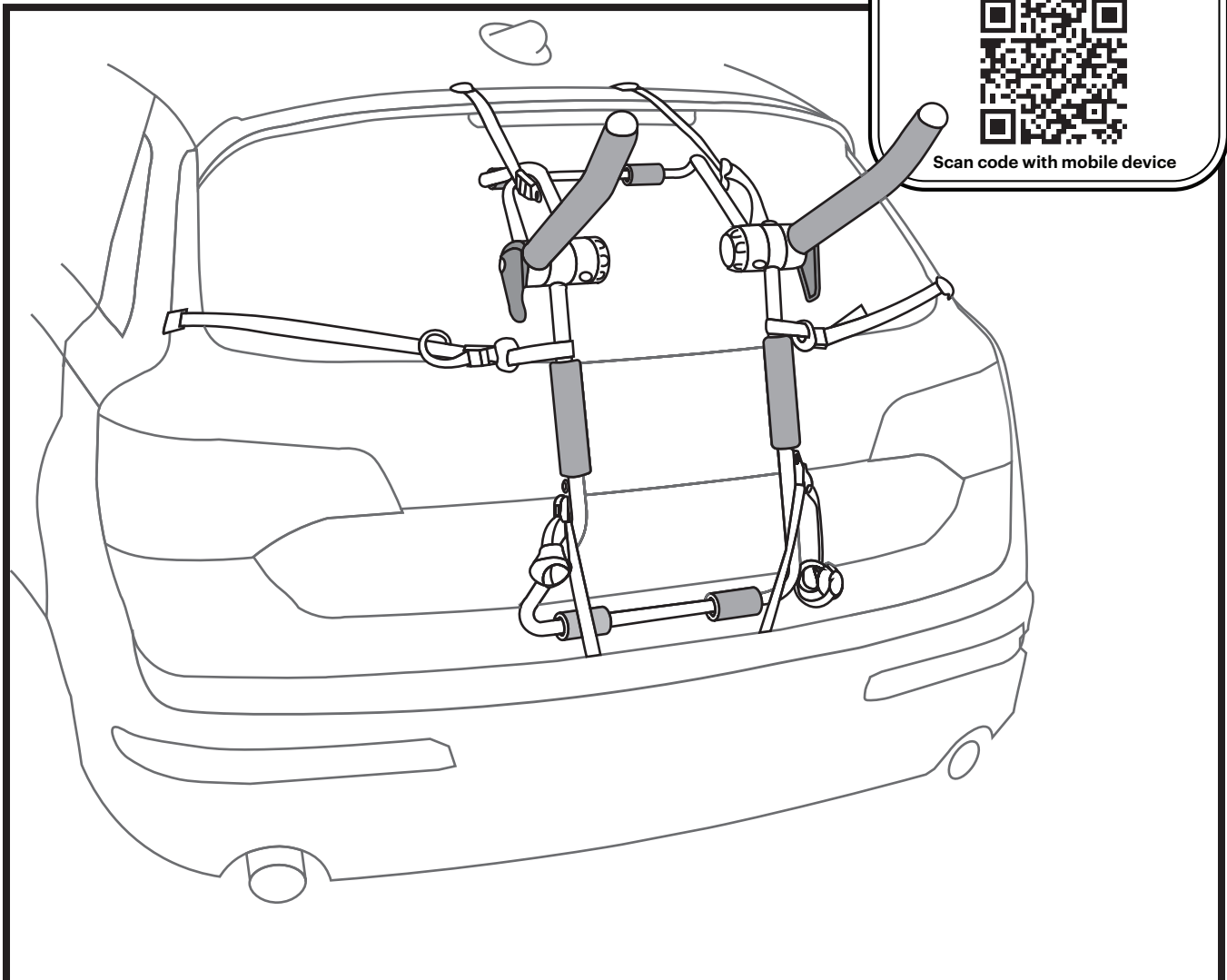




HOW-TO VIDEOS
AVAILABLE ONLINE



Scan code with mobile device



Owner's Manual and Fitting Instructions

General notes

- Follow these instructions to ensure you correctly fit your Ezigrip bike rack to your vehicle.
- Do not repair or modify this accessory in any way as this will void the warranty
- It is the owner's sole responsibility to comply with any local laws and regulations that may apply, directly or indirectly, to bicycle racks and the use thereof.
- Check that all work practices comply with safety standards.
- Clean with soap and water only - DO NOT use solvents or chemicals.
- Do not exceed the stated bicycle carrying capacity and load weight limits.



3 x bikes



Max weight capacity



WARNING



It is critical that all Ezigrip bike racks and accessories are securely attached to your vehicle. Improper attachment could result in an accident, and could cause serious injury or death to yourself or others. You are responsible for securing the racks and accessories to your vehicle, checking the attachments prior to use, and periodically during use. You are also responsible for periodically inspecting the products for wear or damage and discontinuing use if wear or damage is evident. It is therefore required that you read and fully understand all of these instructions and cautions supplied with your Ezigrip products prior to installation or use. If you do not fully understand all the instructions and cautions, or have limited mechanical experience and are not perfectly familiar with the installation process, you **MUST** seek fitting assistance from a professional such as a qualified automotive technician or cycle shop service staff member.

Step 1

- Remove the rack from the packaging. The rack is supplied pre-assembled.
- Release the two blue camlock arms on either side of the rack (1a) then loosen the nuts located on the inside of the clamps (1b).



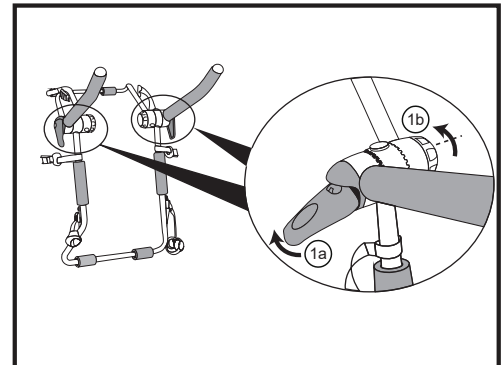
Caution

DO NOT fully unwind these nuts. ONLY unfasten them until the rack prongs and rack body angle can be adjusted independently.



Tip

Only release enough clamp and nut tension to allow the side clamps to open allowing the internal locking teeth to disengage. This will ensure the rack can be adjusted without it being too loose and difficult to hold in the desired position.



Step 2

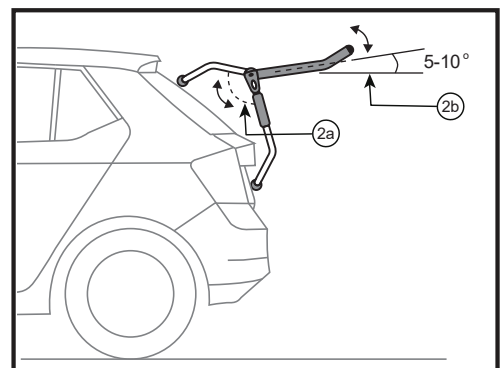
- Position the rack on the back of the vehicle and adjust the rack body angle (2a) to fit closely to the vehicle while avoiding having the metal parts of the rack make contact with the vehicle.
- Once the rack fit is correct, adjust the prong angle to point slightly upwards (about 5 - 10 degrees) to the level road surface (2b).



Caution

DO NOT rest the rack on a plastic bumper. DO NOT use the rack with a plastic spoiler.

DO NOT set prongs level to the ground or pointing downwards.

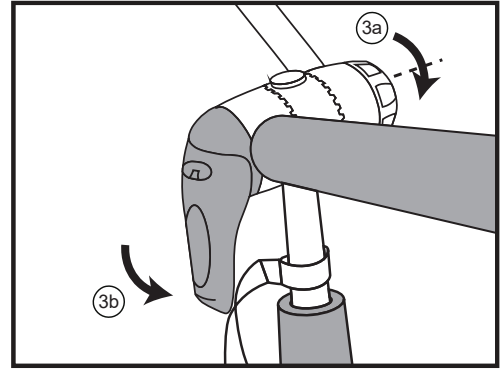


Step 3

- Tighten both camlock nuts (3a) and press the two blue camlock arms closed (3b) to fix the prong angle and rack body angle.
- Once the camlock arms are closed, give each camlock nuts another 1 to 1.5 turns to tighten the clamp further.



DO NOT overtighten the camlock nuts before pressing the two blue camlock arms closed. Tighten the camlock nuts until the teeth just begin to close.



WARNING



The Bootmount 3 Pro is designed to fit most vehicles. However if - after following these instructions - the rack cannot be adjusted and securely fitted to your specific vehicle **DO NOT ATTEMPT TO USE IT**. Rather, discontinue use and seek the advice of a bike rack retailer or bike shop rack specialist.

Step 4

- Hold the rack in place on the back of the vehicle and fit the two top camlock straps to the top edge of the boot lip, rear door or other secure location above the rack. Lightly pull the straps to add tension.

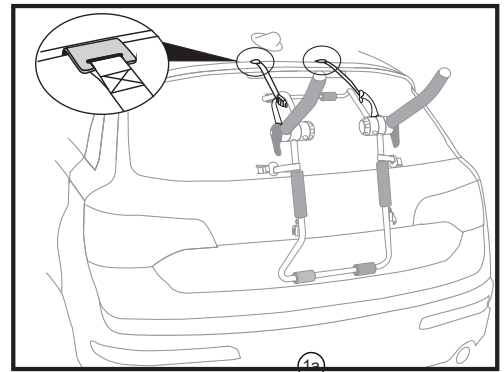


Ensure the top straps do not rest or put weight on a plastic spoiler.



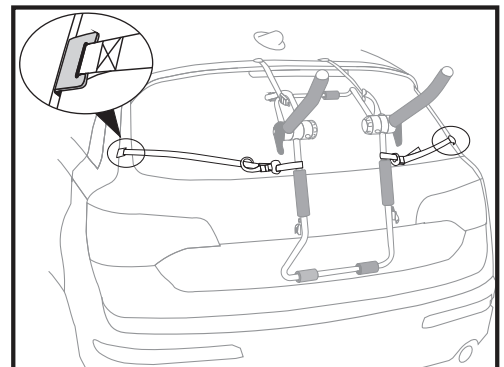
Tip

Wipe away any excess dirt or dust from areas that the rack contacts to avoid scratches to the vehicle finish.



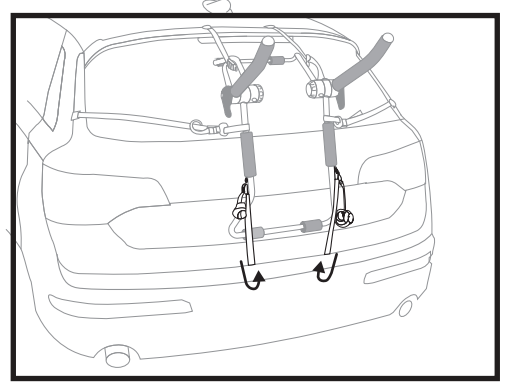
Step 5

- Fit the two centre straps to a secure boot, rear door or secure edge directly to the left and right hand sides of the rack. Lightly pull the straps to add tension.



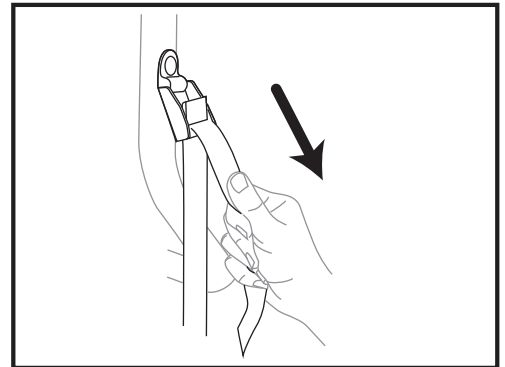
Step 6

- Fit the two bottom straps to a secure anchor point on the lip of the vehicle boot hatch below the rack. Pull the strap to fully tension it.



Step 7

- Progressively and firmly tension each top strap, then each of the side straps and again the bottom straps. Check the side straps are at a 90 degree angle to the tube they are attached too.
- Check that the rack is securely fitted and that all the straps are tensioned evenly. Ensure that all loose strap ends are tied up and secured.



Caution

DO NOT overtension the straps as this may damage the edges of the vehicle.



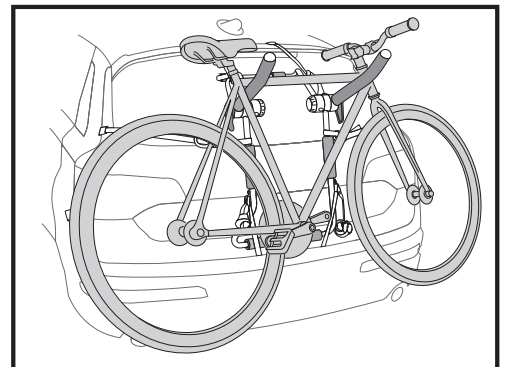
WARNING



It is important that all straps are positioned straight out from the tube they attach too. It is critical that straps are tensioned evenly and progressively to ensure even load sharing. It is important to check strap tensions regularly whilst enroute. Inspect all parts of the rack regularly. **DO NOT** use the rack if you notice any deterioration of any part of the rack or strap, cambuckle and associated components.

Step 8

- Now the rack is secured, load the bikes onto the rack. Place the bikes securely onto the prongs. Stack bikes top to tail to ensure a better nesting of the frames and handle bars.



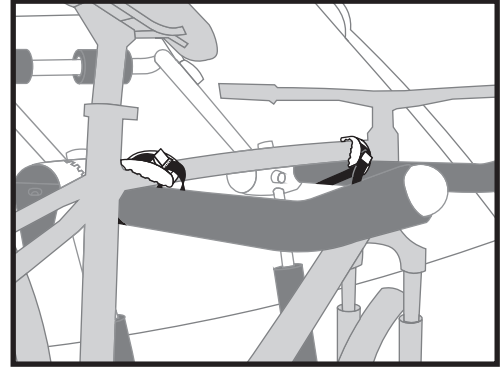
Step 9

- Use the provided strap kit to strap the bike frames to the prong. Use two straps per bike with one strap securing the bike frame to one prong and the second strap securing the bike frame to the second prong.



Caution

Ensure the bikes are securely supported by the prongs and that the straps securing the bikes are tight and at no risk of loosening.



WARNING



Drive conservatively when travelling (never off-road) and periodically stop and CHECK that all bike straps are secure. The user must determine the most appropriate, secure and safe method of attachment for each particular bike. If in doubt, ask a bike rack retailer.

Limited warranty

The manufacturer warrants the Bootmount 3 Pro against defects in materials or workmanship for a period of 3 years from date of original purchase. To assert a warranty claim, the owner should return the Bootmount 3 Pro to the selling retailer for return to the distributor, freight pre-paid, together with proof of purchase. The owner should include a written explanation of the defect. If the distributor determines that the defect is covered by this warranty, it shall repair or replace the Bootmount 3 Pro as it may determine in its sole and absolute discretion, free of charge. This warranty is valid to the original buyer only. It is not transferable or assignable.

You must establish proof of purchase to obtain warranty service or replacement.

This warranty does not cover damage resulting from improper installation, misuse, abuse, neglect, alteration, failure to perform maintenance as instructed or unauthorised repair or service.

The owner is responsible for installing the Bootmount 3 Pro in accordance with the installation instructions in the Owners Manual. The owner should attach the Bootmount 3 Pro only to vehicles for which it has been designed. The manufacturer shall not be liable if the Bootmount 3 Pro has been altered, damaged or rendered non-functional through incorrect installation or attachment.

The Bootmount 3 Pro is designed to carry bicycles. Do not use the Bootmount 3 Pro for purposes other than for which it is designed, or exceed the recommended maximum number and/or weight of bicycles prescribed, as this will invalidate the warranty.

The manufacturer's sole responsibility is to repair or replace a defective part being the subject of a valid warranty claim. Under no circumstance shall the manufacturer be liable for direct, indirect, incidental, special or consequential costs or damages of any kind. Without limiting the generality of the foregoing, the manufacturer shall not be liable for personal injury, property damage or consequential damages resulting from the owner's use of the Bootmount 3 Pro. The liability of the manufacturer under any circumstance shall not exceed the original purchase price paid by the owner for the Bootmount 3 Pro.

This is an express warranty. The manufacturer disclaims any other express or implied warranties, including warranties of merchantability or fitness for purpose, to the maximum extent permitted by law. Statements, representations and specifications in any brochures, sales literature, owners manuals and other documentation concerning the Bootmount 3 Pro shall not be deemed warranties, nor shall they extend or expand the manufacturer's obligations under this warranty.

No employee, representative, dealer, agent, distributor or service company acting for the manufacturer has the authority to extend or modify the terms of this limited warranty unless the manufacturer expressly agrees, in writing, to such extension or modification.