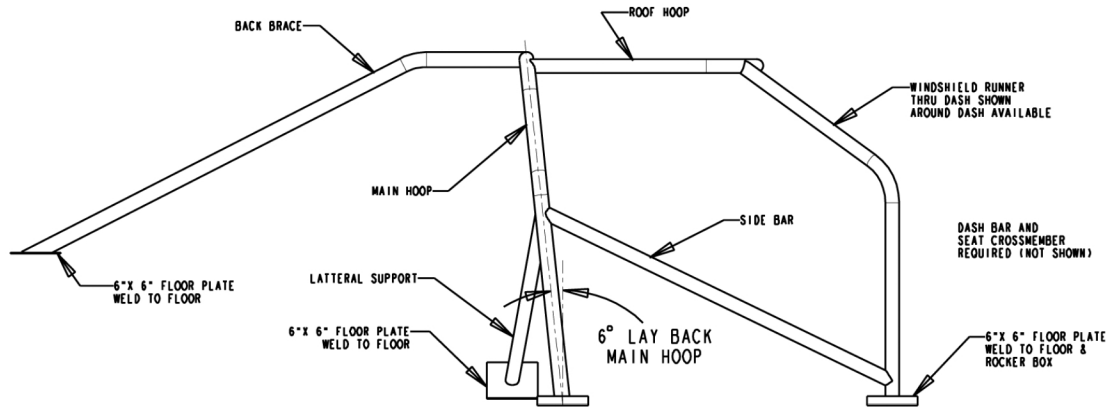


This drawing shows the recommended main hoop angle for 79-92 Mustang (Fox bodies) roll bars and cages (11-3066, 11-3066DOM, 11-3066CM, 11-3566, 11-3566DOM & 11-3566CM).



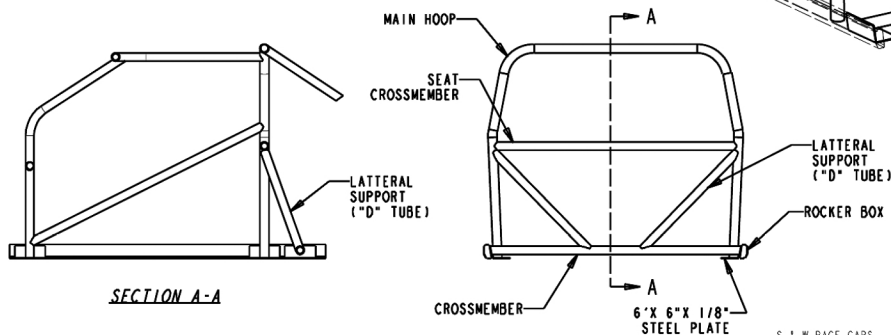
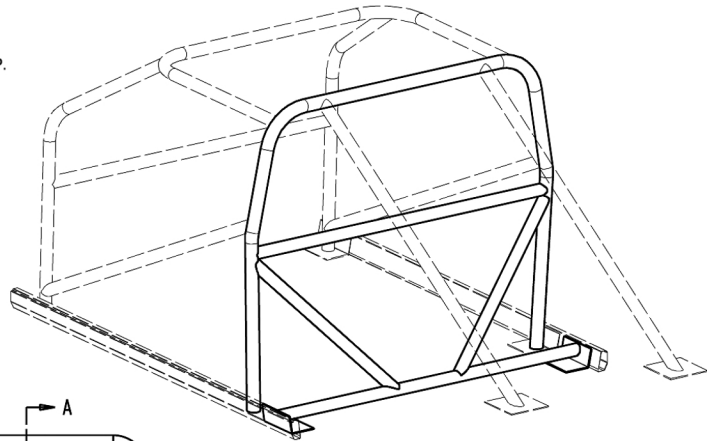
0	18FEB09	JEB	INITIAL RELEASE
REV	DATE	DRN	DESCRIPTION
TOLERANCES: FRACTIONS $\pm 1/32$ 2 PLC DEC ± 0.01 3 PLC DEC ± 0.005 ANGLES $\pm 0.5^\circ$			79-92 MUSTANG 10PT GENERAL ARR'G'T
MAT'L:			
Part No: 11-3566			DWR No: RBRC-INST - 3

S & W RACE CARS
11 MENNONITE CHURCH RD
SPRING CITY, PA 19475

13-373-1

INSTALLATION NOTES:

- CROSSMEMBER CAN BE WELDED TO 6" X 6" X 1/8" STEEL PLATES OR MAIN HOOP. THESE PLATES ARE TO BE WELDED TO THE ROCKER BOXES & FLOOR.
- CROSSMEMBER CAN BE INSTALLED IN FRONT OR BEHIND MAIN HOOP.



0	23DEC08	JEB	INITIAL RELEASE
REV	DATE	DRN	DESCRIPTION
TOLERANCES: FRACTIONS $\pm 1/32$ 2 PLC DEC ± 0.01 3 PLC DEC ± 0.005 ANGLES $\pm 0.5^\circ$			ROCKER BOX CROSSMEMBER AND LATEREL SUPPORT GENERAL ARRANGEMENT Part No: 13-373 & 13-373CM
MAT'L:			
Part No:			DWR No: 13-373 - 1

S & W RACE CARS
11 MENNONITE CHURCH RD
SPRING CITY, PA 19475

The drawing above shows the required method for installation of the lateral frame supports & crossmember now mandatory on front wheel drive models