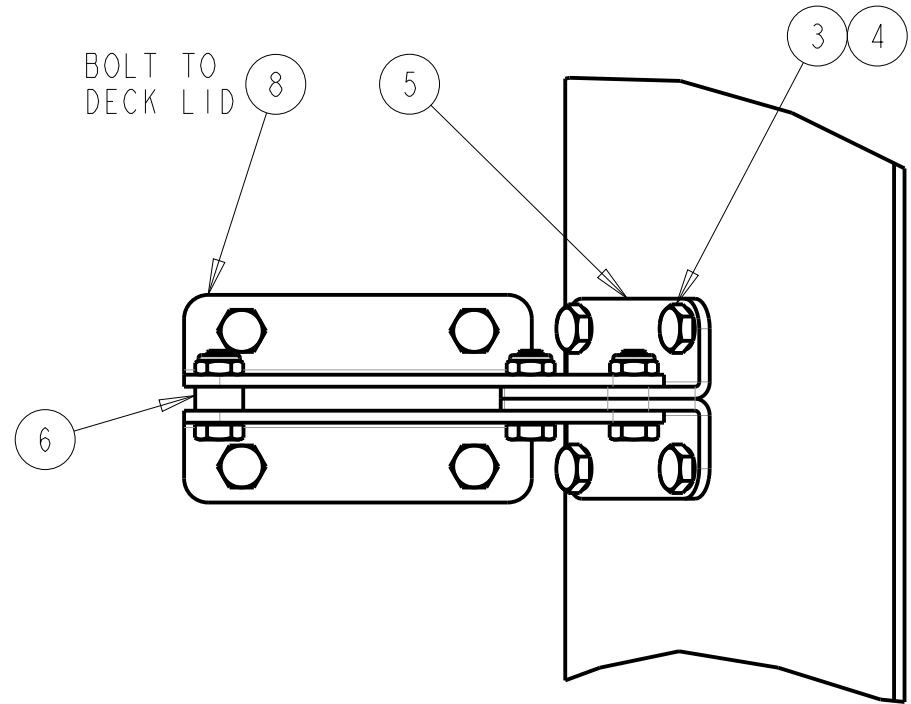
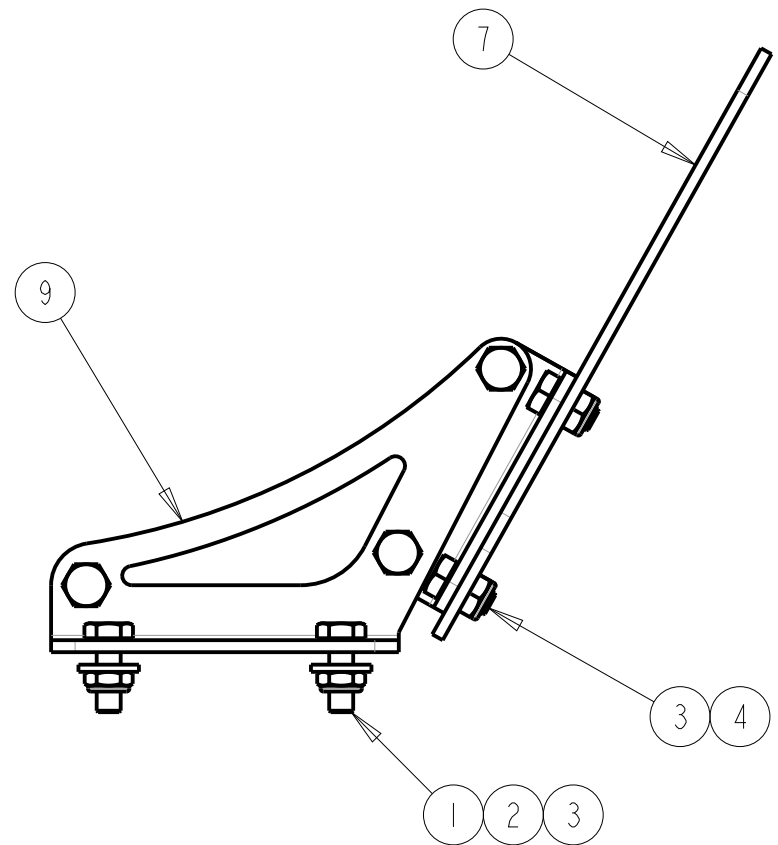
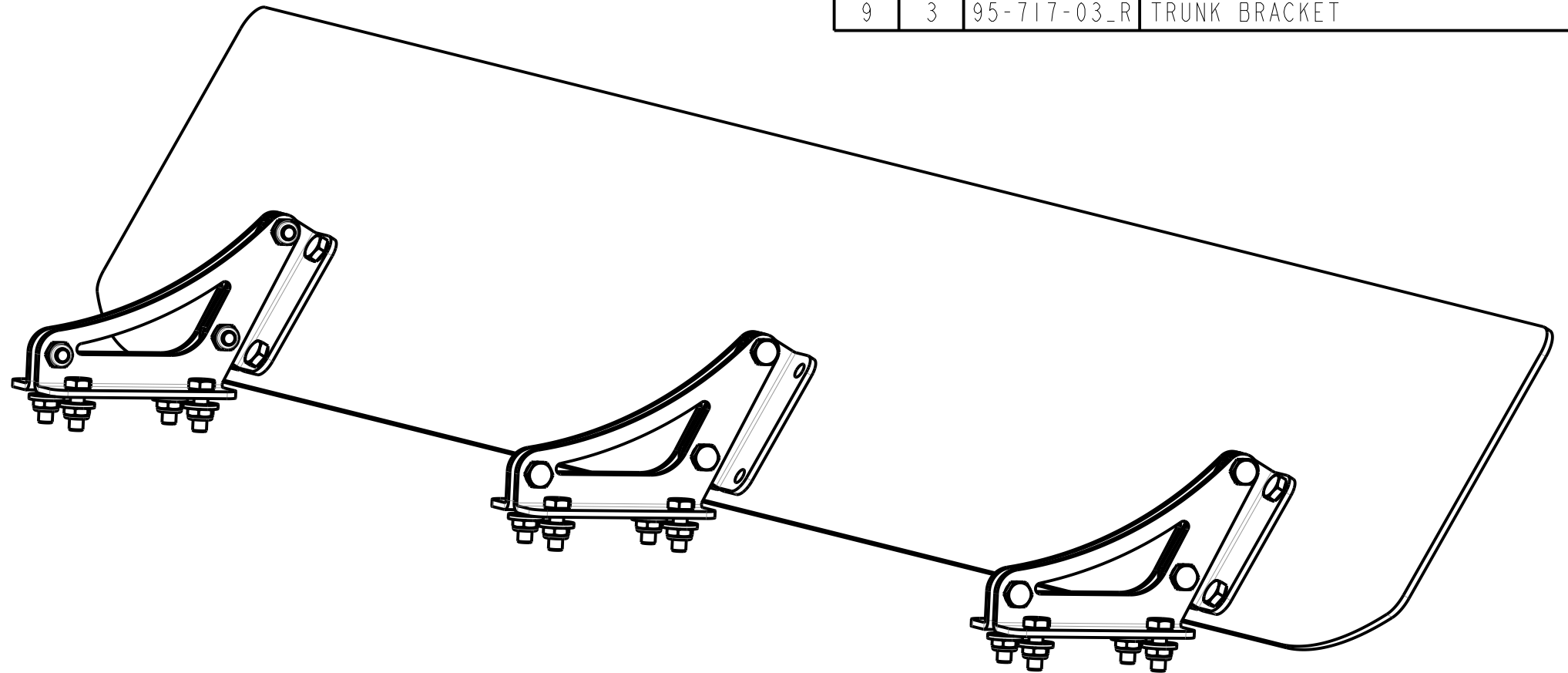


95-717-1



BILL OF MATERIALS			
ITEM	QTY	PART No.	DESCRIPTION
1	12	65-200	1/4 FLAT WASHER
2	21	65-003	1/4 X 3/4" BOLT
3	33	65-141	1/4-28 NYLOCK HALF NUT
4	12	65-001	1/4" X 1/2" BOLT
5	6	95-717-02	MOUNTING BRACKET
6	3	65-750	SPACER - NYLON
7	1	95-717-01	SPOILER BLADE
8	3	95-717-03_L	TRUNK BRACKET
9	3	95-717-03_R	TRUNK BRACKET



0	01NOV22	JEB	RELEASED
REV	DATE	DRN	DESCRIPTION
TOLERANCES (UOS): FRACTIONS ±1/32 2 PLC DEC ±0.01 3 PLC DEC ±0.005 ANGLES ±0.5°			64-66 MUSTANG SPOILER GENERAL ARRANGEMENT
MAT'L:			
		PART No: 95-717	DRW No: 95-717 - 1

S & W RACE CARS  
11 MENNONITE CHURCH RD  
SPRING CITY, PA 19475