

95-500-1

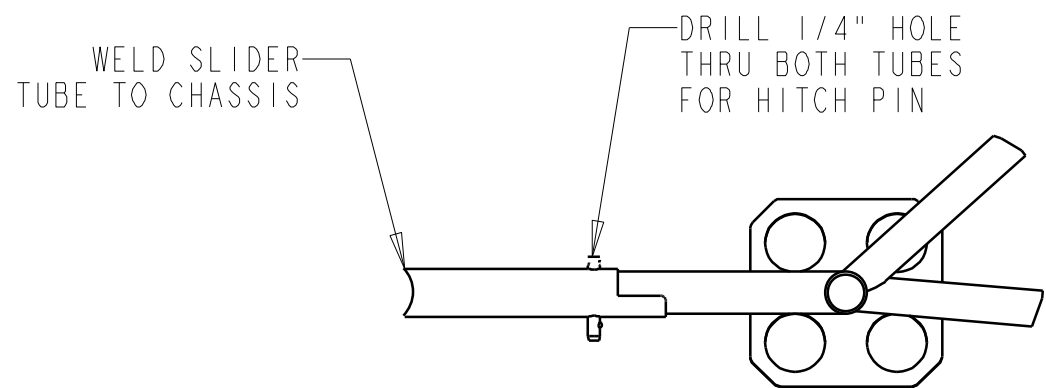
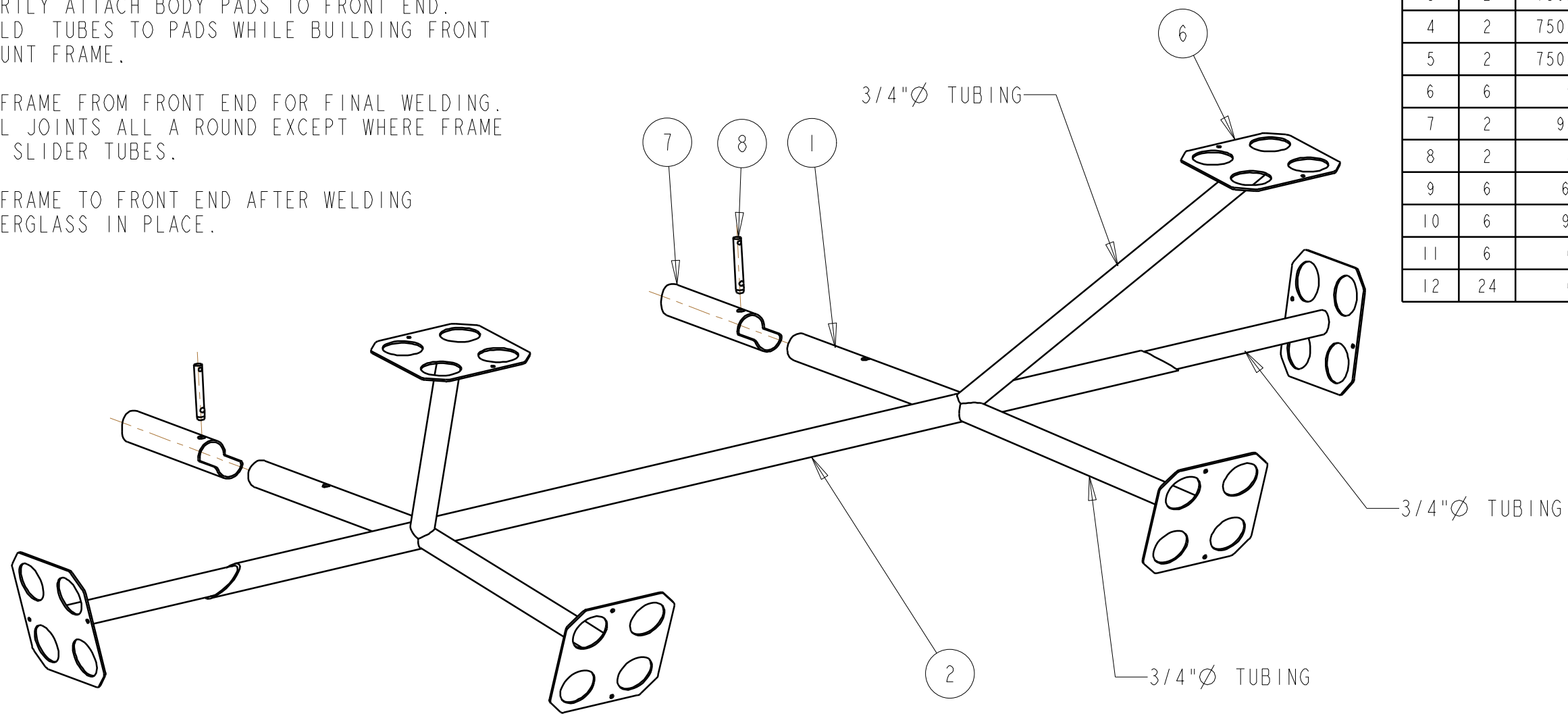
NOTE:
 DZUS FASTENERS ARE FOR ATTACHING THE
 BACK OF THE FENDERS TO THE CHASSIS.

TEMPERARILY ATTACH BODY PADS TO FRONT END.
 TACK WELD TUBES TO PADS WHILE BUILDING FRONT
 BODY MOUNT FRAME.

REMOVE FRAME FROM FRONT END FOR FINAL WELDING.
 WELD ALL JOINTS ALL A ROUND EXCEPT WHERE FRAME
 FITS IN SLIDER TUBES.

FASTEN FRAME TO FRONT END AFTER WELDING
 AND FIBERGLASS IN PLACE.

BILL OF MATERIALS			
ITEM	QTY	PART No.	DESCRIPTION
1	2	875X058CMX12	7/8 X 0.058 TUBING X 12" LG
2	1	875X058CMX36	7/8 X 0.058 TUBING X 36" LG
3	2	750X058CMX12	3/4 X 0.058 TUBING X 12" LG
4	2	750X058CMX18	7/8 X 0.058 TUBING X 18" LG
5	2	750X058CMX24	7/8 X 0.058 TUBING X 24" LG
6	6	95-501	BODY MNTG PAD
7	2	95-5003	SLIDER TUBE
8	2	40-330	HITCH PIN
9	6	65-906	DEEP SPRING
10	6	95-908	SPRING PLATE
11	6	65-911	LONG EJECTOR BUTTON
12	24	65-801	1/8" POP RIVET



REV	DATE	DRN	DESCRIPTION
A	02DEC08	JEB	REDRAWN IN PRO-E
TOLERANCES: FRACTIONS ±1/32 2 PLC DEC ±0.01 3 PLC DEC ±0.005 ANGLES ±0.5°			BODY FRONT END MNTG KIT GENERAL ARRANGEMENT
MAT'L:			
PART No: 95-500			DRW No: 95-500 - 1

S & W RACE CARS
 11 MENNONITE CHURCH RD
 SPRING CITY, PA 19475