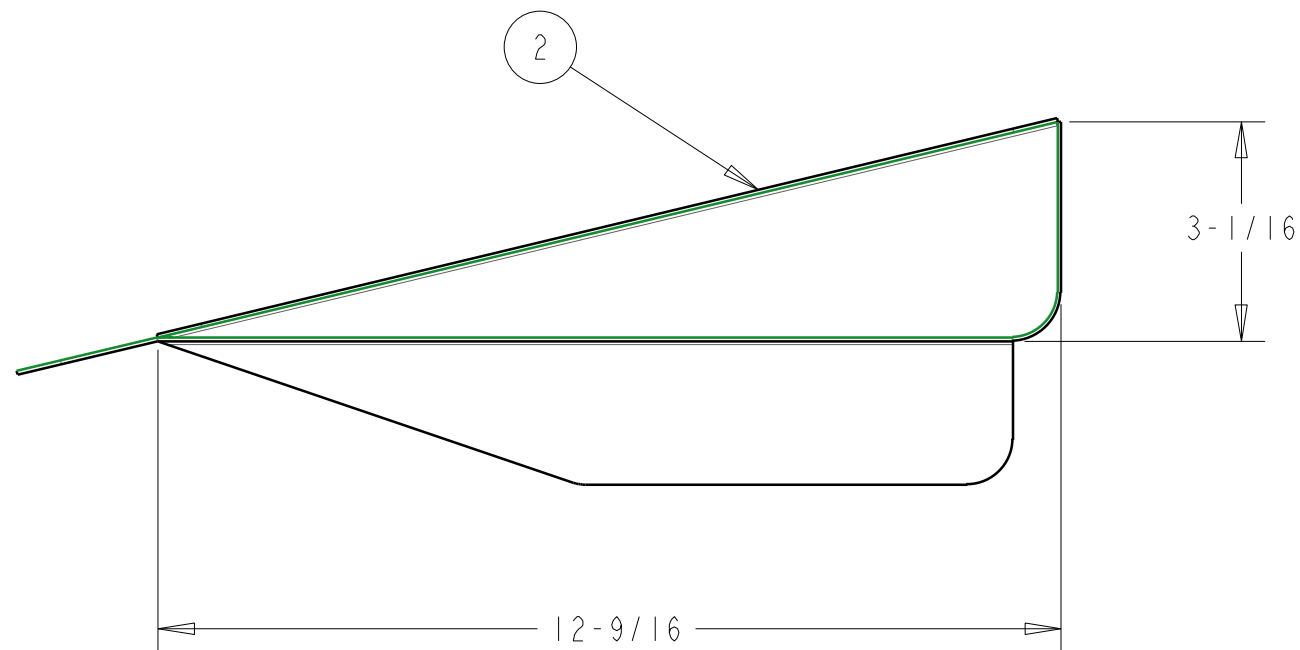


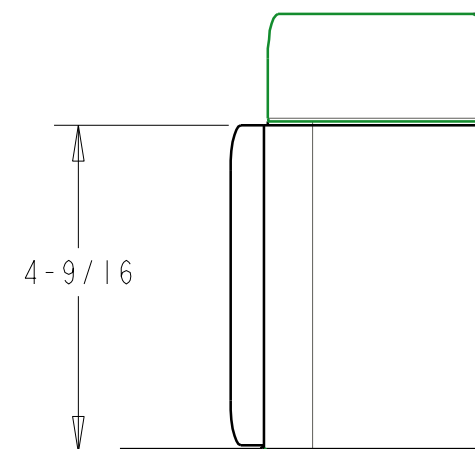
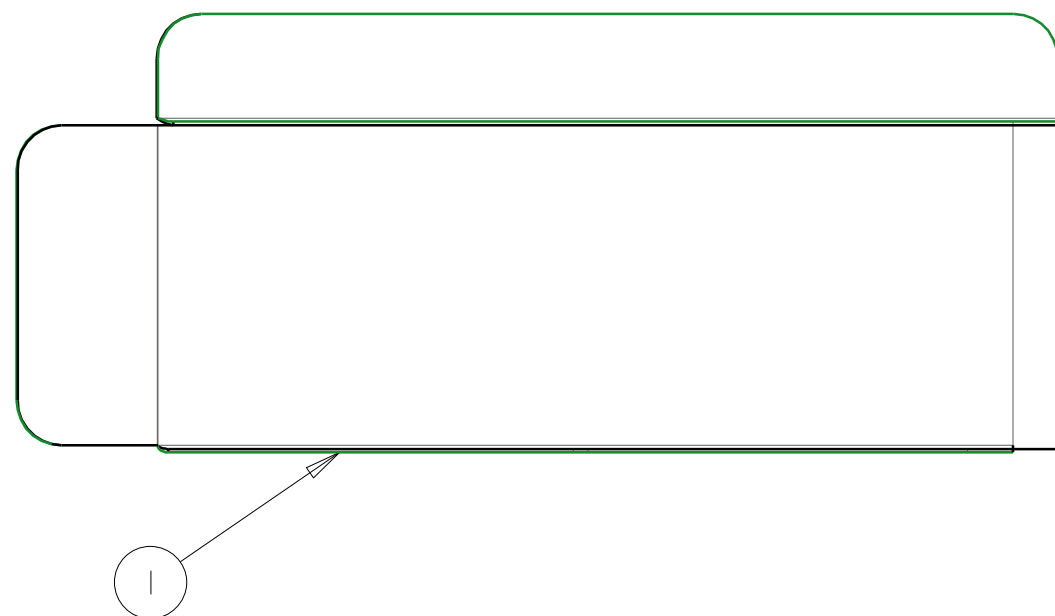
95-114-1

BILL OF MATERIALS

ITEM	QTY	PART No.	DESCRIPTION
1		95-114-B	SOL COVER SIDE
2		95-114-A	SOL COVER TOP



NOTE:
1. SIDE & TOP WELDED TOGETHER.



REV	DATE	DRN	DESCRIPTION
0	11JAN06	JEB	INITIAL RELEASE
			SOLINOID COVER GENERAL ARR'G'T
MAT'L:			
PART No: 95-114			DRW No: 95-114 - 1

S & W RACE CARS
11 MENNONITE CHURCH RD
SPRING CITY, PA 19475