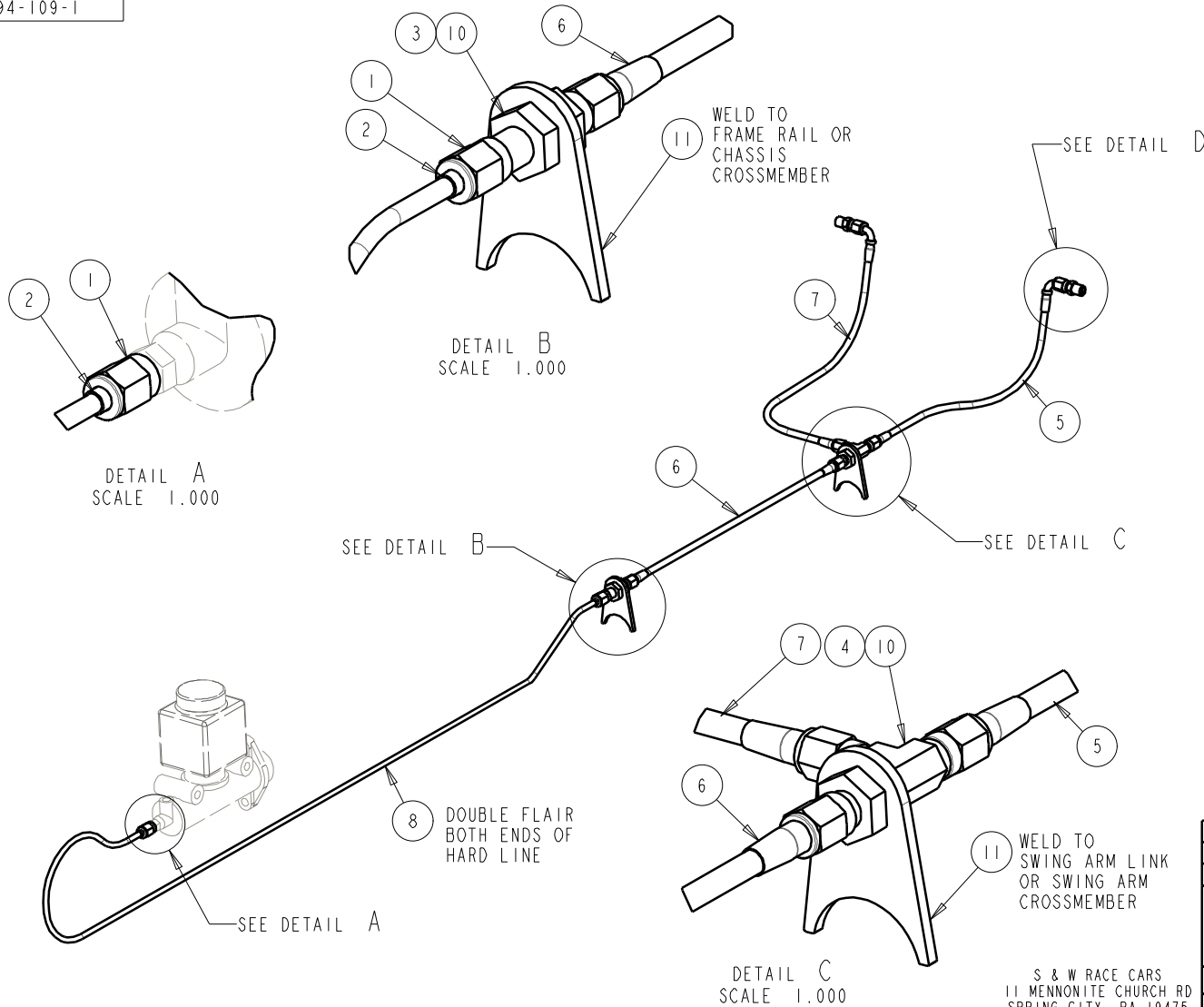


94-109-1



BILL OF MATERIALS

ITEM	QTY	PART No.	DESCRIPTION
1	2	94-3591	TUBE NUT
2	2	94-3667-1	TUBE SLEEVE
3	1	94-2770	BULKHEAD FITTING
4	1	94-2809	BULKHEAD RUN TEE
5	1	94-5502	12" BRAKE LINE, STR-90
6	1	94-310318	18" BRAKE LINE, STR-STR
7	1	94-5506	24" BRAKE LINE, STR-90
8	1	55-805	3/16 HARD LINE
9	2	94-4244	BRAKE LINE ADAPTER
10	2	94-4387	BULKHEAD NUT
11	2	60-314	MOUNTING TAB

REV	DATE	DRN	DESCRIPTION
0	13OCT06	JEB	INITIAL RELEASE
			BRAKE LINE KIT, SWING ARM DRAGSTER GENERAL ARRANGEMENT
TOLERANCES: FRACTIONS ±1/32 2" PLC DEC ±0.01 3" PLC DEC ±0.005 ANGLES ±0.5°			
MAT'L:			
PART No: 94-109			DRW No: 94-109 - 1

S & W RACE CARS
 11 MENNONITE CHURCH RD
 SPRING CITY, PA 19475