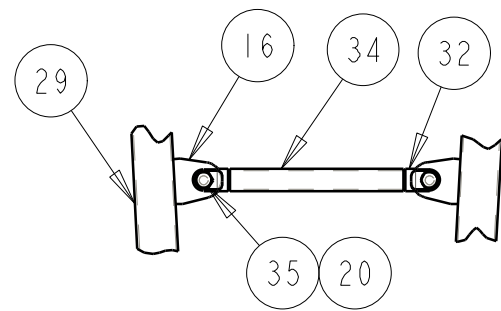
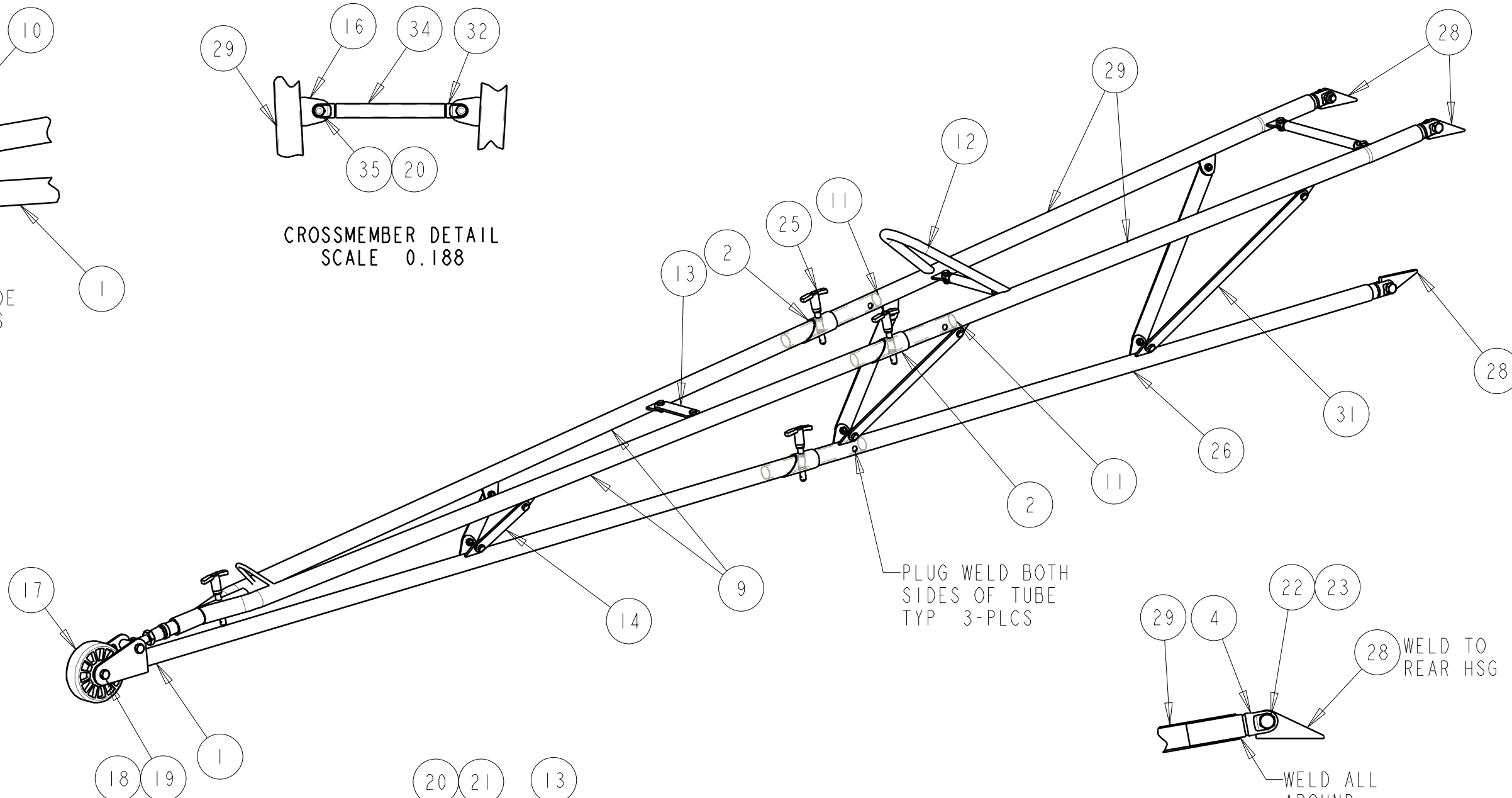


THIS TUBE MUST BE FREE TO SLIDE INSIDE TUBE #8 WHEN PIN IS REMOVED

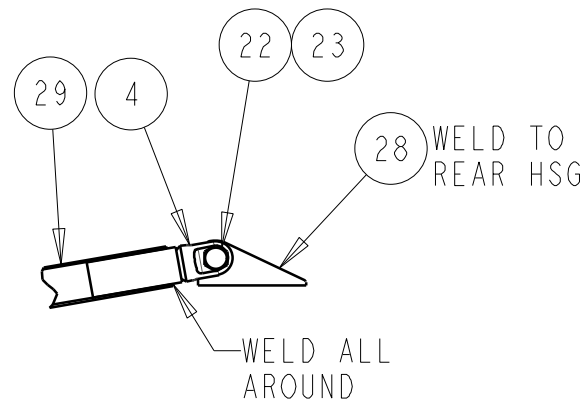
**WHEEL & SLIDER DETAIL**



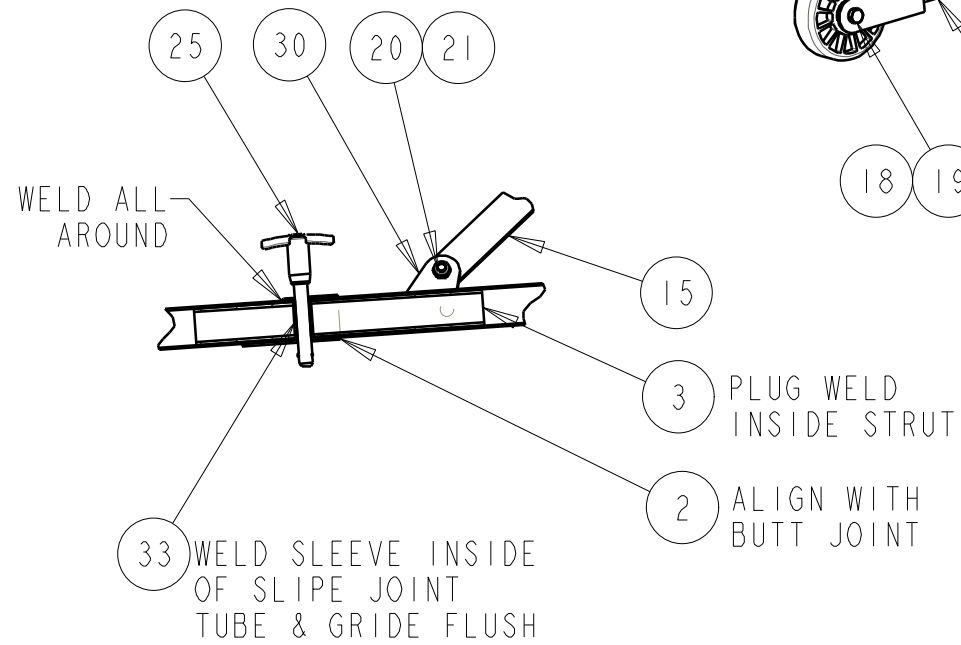
**CROSSMEMBER DETAIL  
SCALE 0.188**



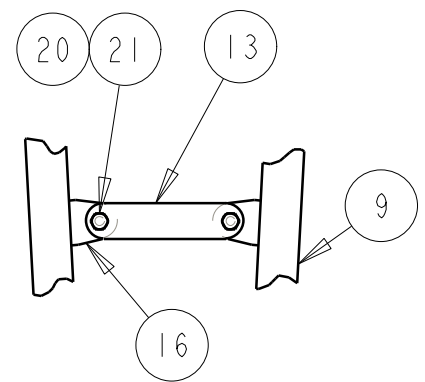
PLUG WELD BOTH SIDES OF TUBE  
TYP 3-PLCS



**MOUNTING DETAIL**



**SLIP JOINT DETAIL**



**CROSS LINK DETAIL  
SCALE 0.188**

S & W RACE CARS  
11 MENNONITE CHURCH RD  
SPRING CITY, PA 19475

0	05AUG05	JEB	REVISED & REDRAWN
REV	DATE	DRN	DESCRIPTION
TOLERANCES: FRACTIONS ±1/32 2 PLC DEC ±0.01 3 PLC DEC ±0.005 ANGLES ±0.5°			100" SINGLE WHEEL WHEELIE BAR GENERAL ARRANGEMENT
MAT'L:			
PART No: 40-311			DRW No: 40-311 - 1