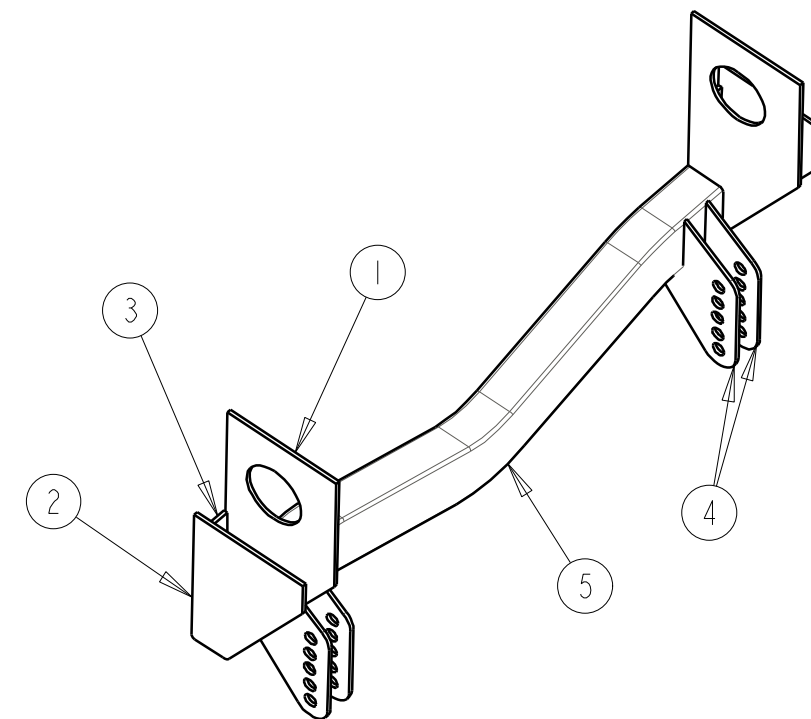
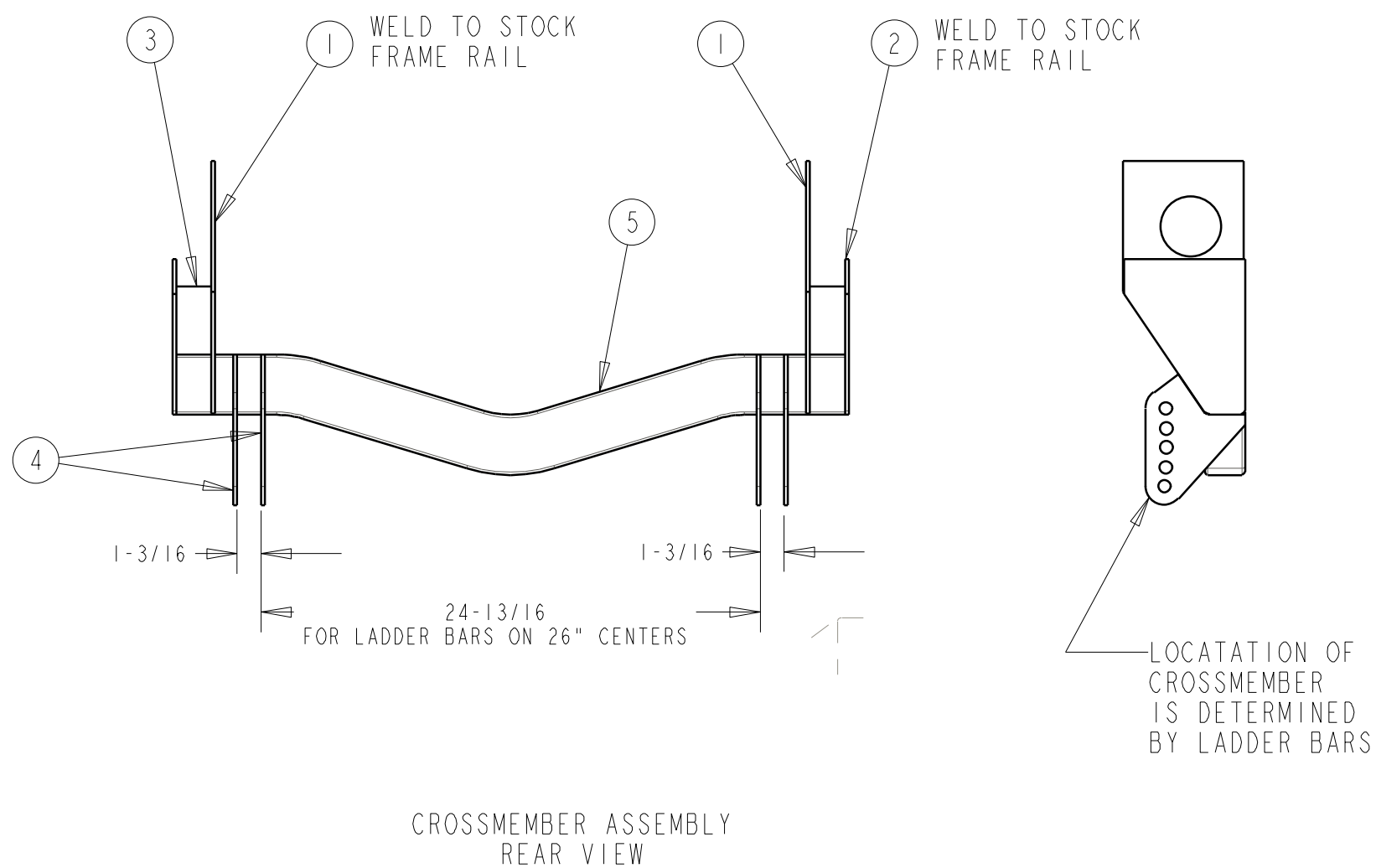
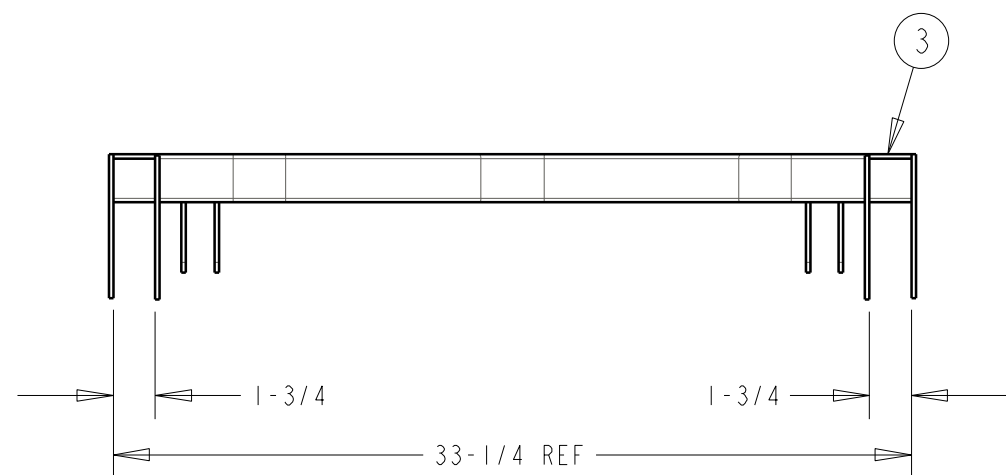


40_2070-1

ITEM	QTY	DESCRIPTION
1	2	INNER FRAME BRACKET
2	2	OUTER FRAME BRACKET
3	2	FRAME BRACKET SPACER
4	4	LADDER BAR BRACKETS, FRONT
5	1	CROSSMEMBER, 2 X 3, BENT



REV	DATE	DRN	DESCRIPTION
A	08MAR06	JEB	CHANGE SHT SIZE TO "B", ADDED NOTES
0	09DEC98	JEB	INITIAL RELEASE

<p>TOLERANCES: FRACTIONS ±1/32 2 PLC DEC ±0.01 3 PLC DEC ±0.005 ANGLES ±0.5°</p>	<p>LADDER BAR CROSSMEMBER FORD RANGER GENERAL ARRANGEMENT</p>
MAT'L:	
PART No: 40-207	
DRW No: 40_2070 - 1	

S & W RACE CARS
 11 MENNONITE CHURCH RD
 SPRING CITY, PA 19475