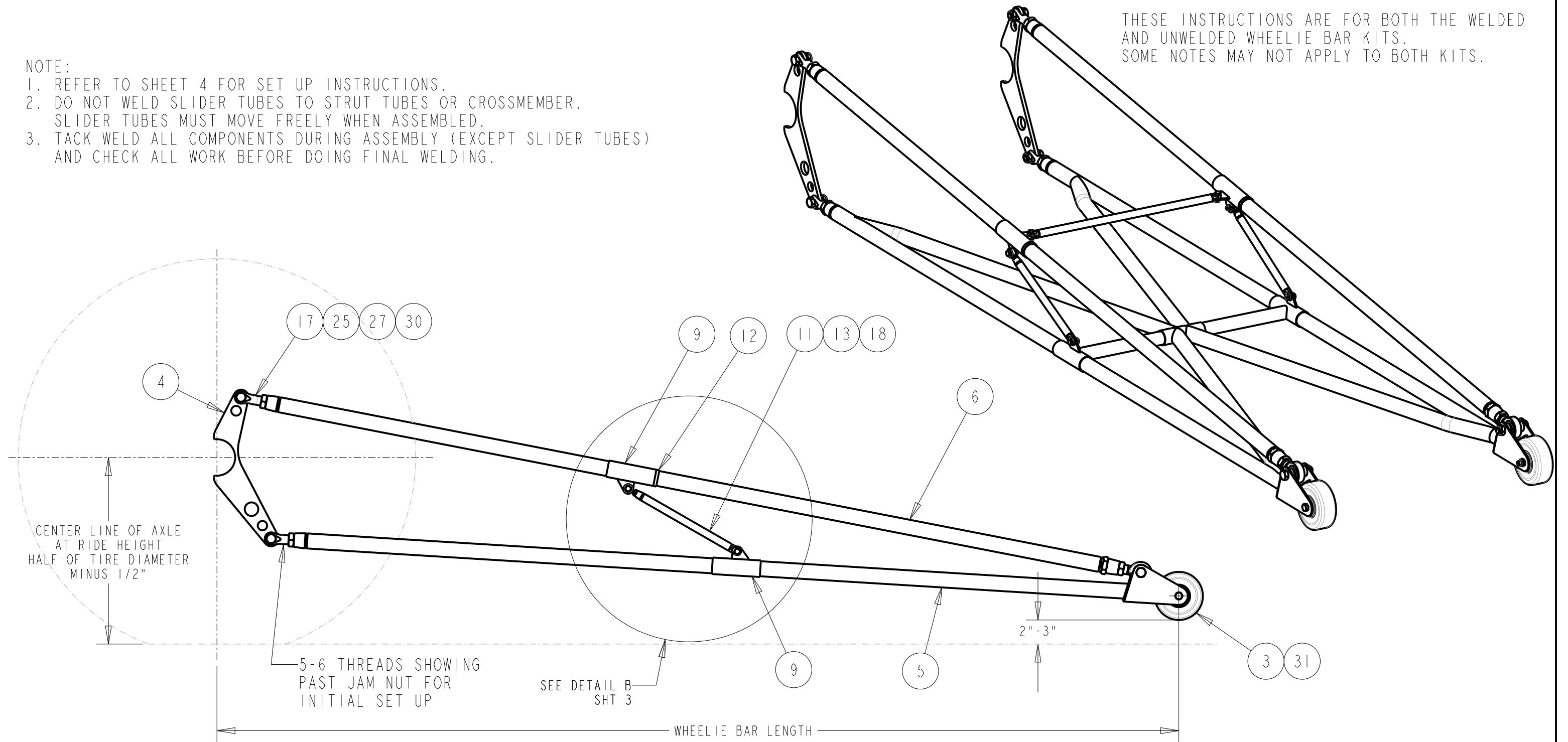


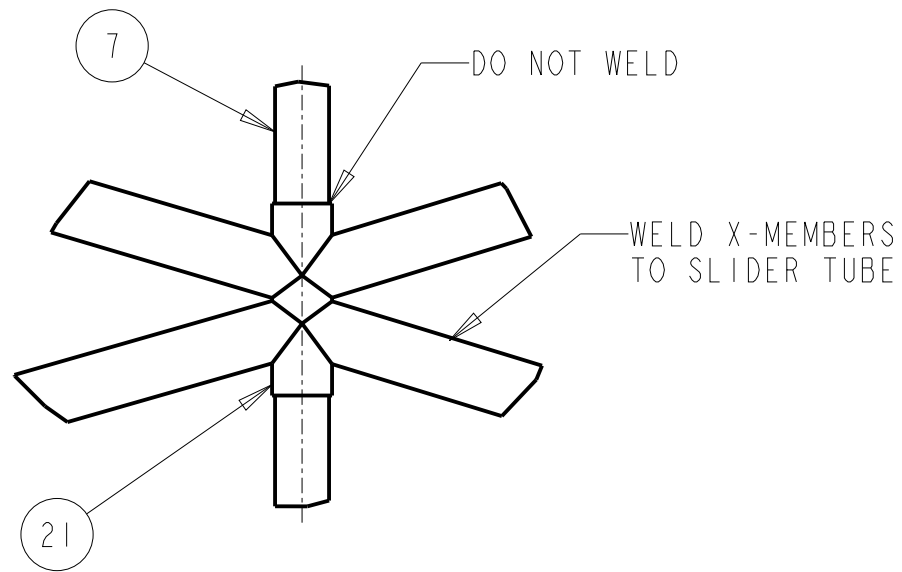
- NOTE:
1. REFER TO SHEET 4 FOR SET UP INSTRUCTIONS.
 2. DO NOT WELD SLIDER TUBES TO STRUT TUBES OR CROSSMEMBER. SLIDER TUBES MUST MOVE FREELY WHEN ASSEMBLED.
 3. TACK WELD ALL COMPONENTS DURING ASSEMBLY (EXCEPT SLIDER TUBES) AND CHECK ALL WORK BEFORE DOING FINAL WELDING.

THESE INSTRUCTIONS ARE FOR BOTH THE WELDED AND UNWELDED WHEELIE BAR KITS. SOME NOTES MAY NOT APPLY TO BOTH KITS.

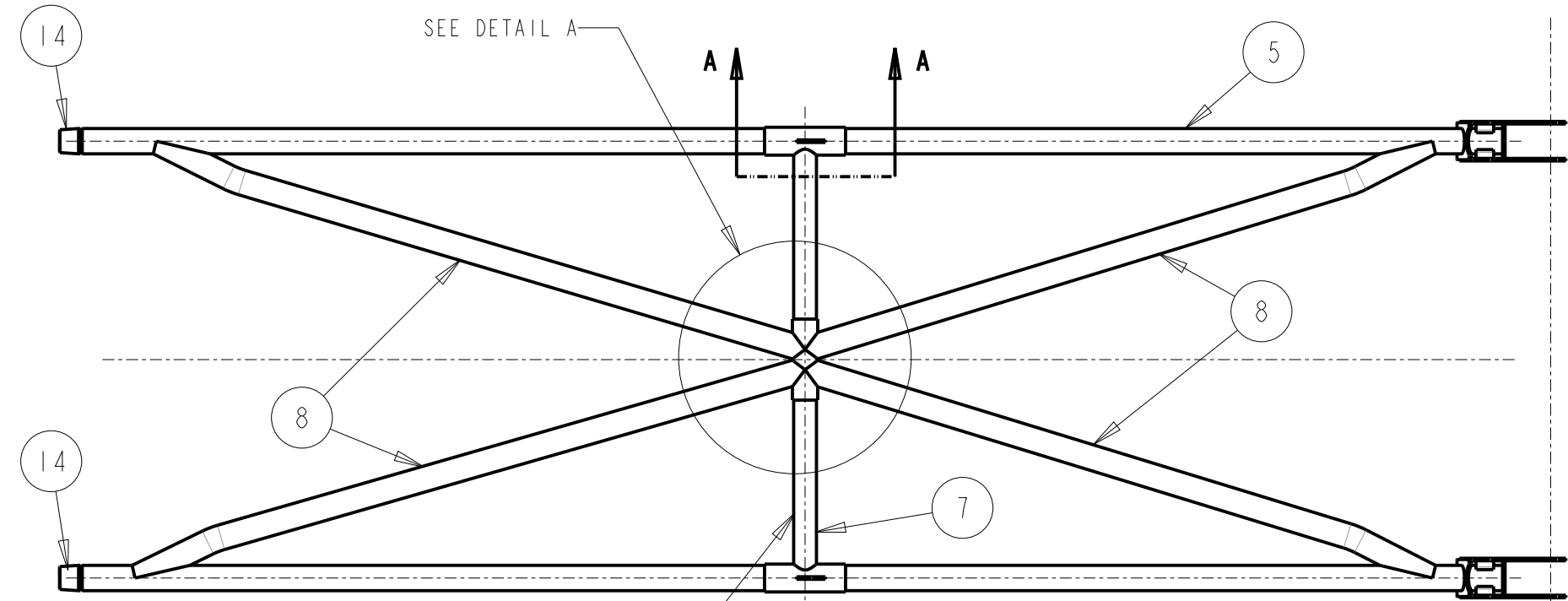


0	30AUG16	JEB	
REV	DATE	DRN	DESCRIPTION
TOLERANCES: FRACTIONS ±1/32 2 PLC DEC ±0.01 3 PLC DEC ±0.005 ANGLES ±0.5°			80" WHEELIE BAR KIT GENERAL ARRANGEMENT
MAT'L:			
		PART No: 40-347	DRW No: 40-347 - 1

S & W RACE CARS
 11 MENNONITE CHURCH RD
 SPRING CITY, PA 19475

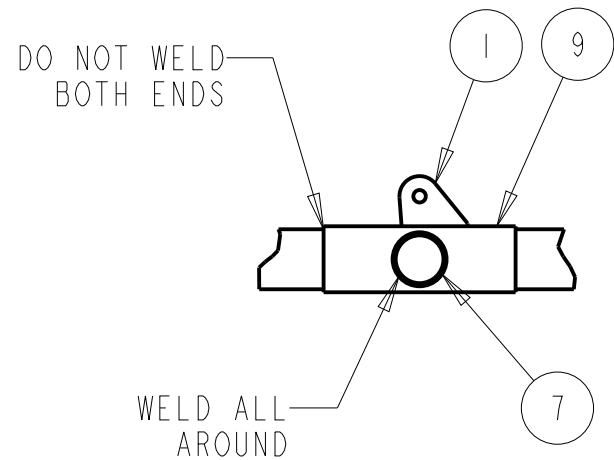


DETAIL A
SCALE 0.250

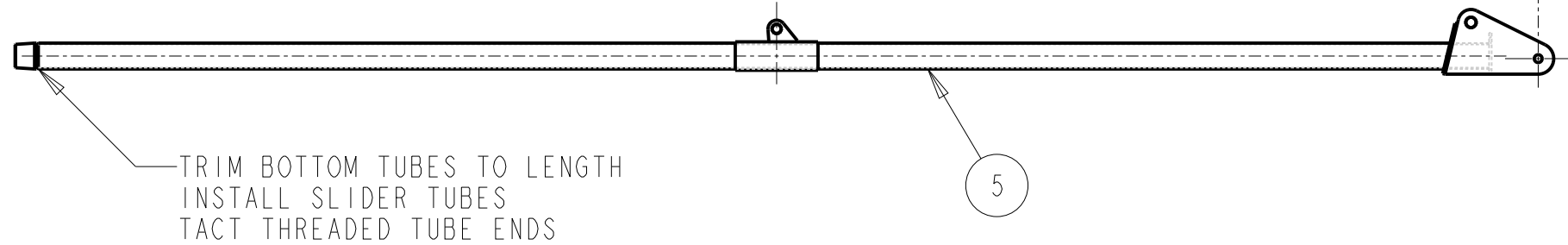


FIT CROSSMEMBER TO STRUT SLIDER TUBES
INSTALL CROSSMEMBER SLIDER TUBE
TACK CROSSMEMBER TO STRUT SLIDER TUBES
DO NOT WELD SLIDER TUBES
TO CROSSMEMBER OR STRUT TUBE

APPX HALF THE LENGTH
OF THE BOTTOM TUBE

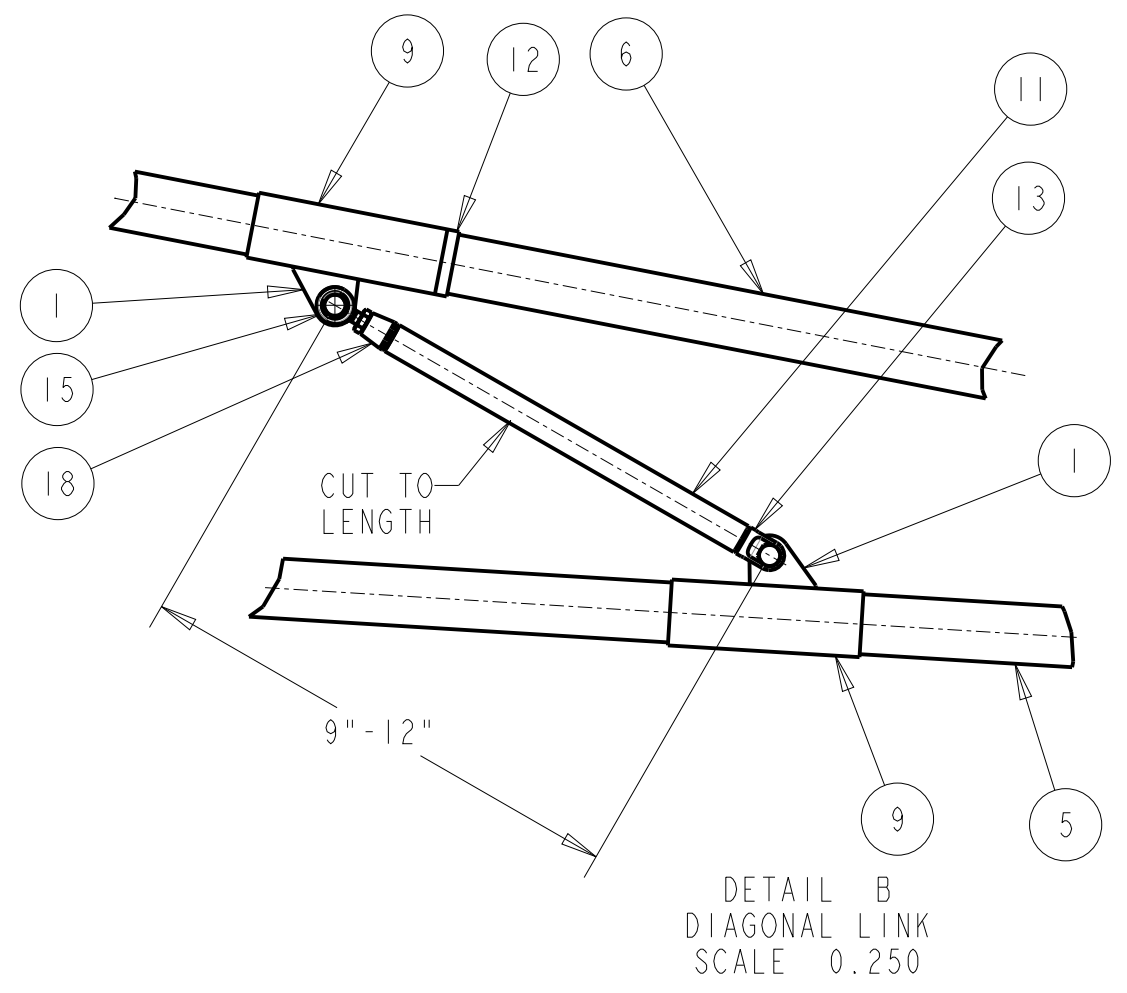
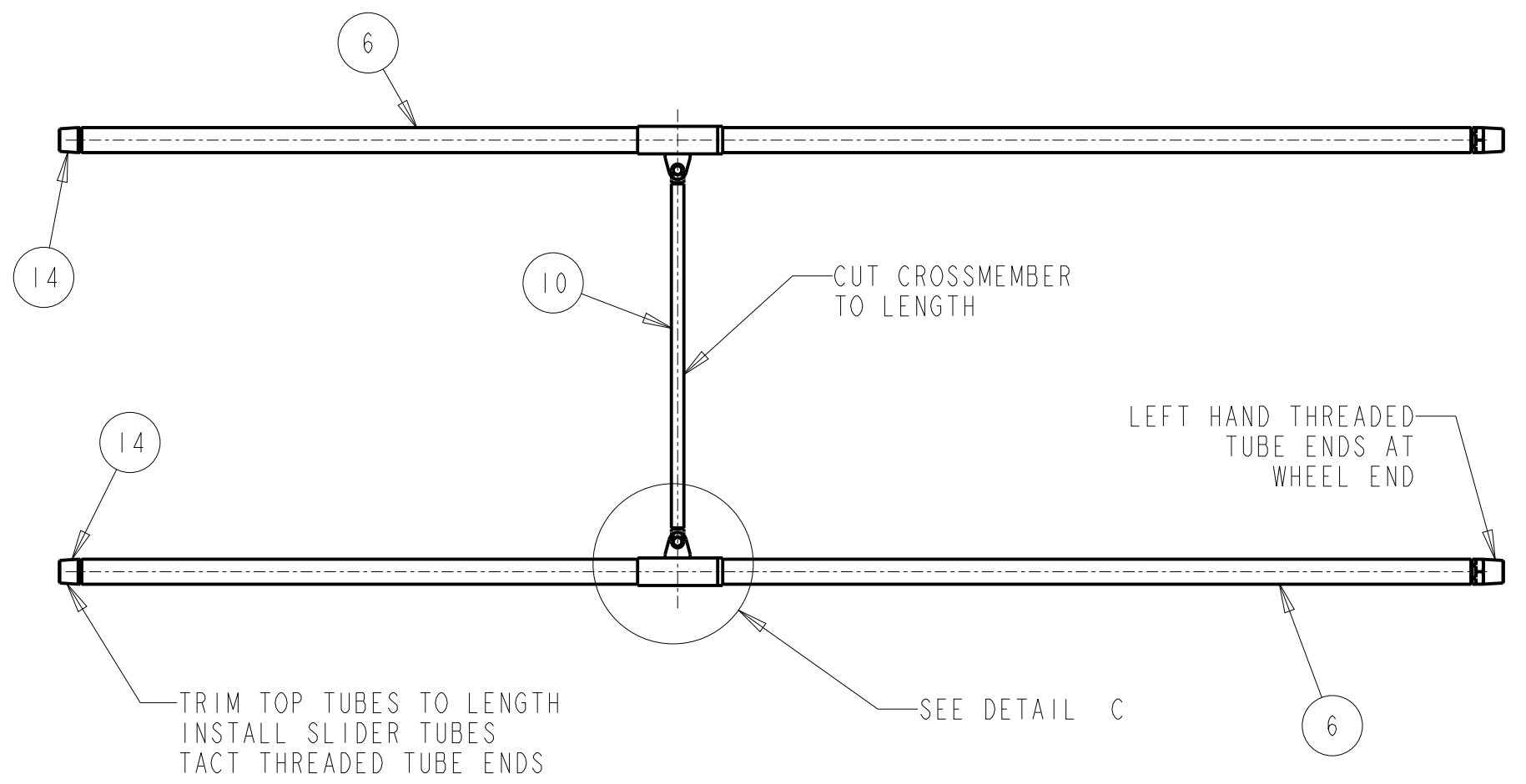
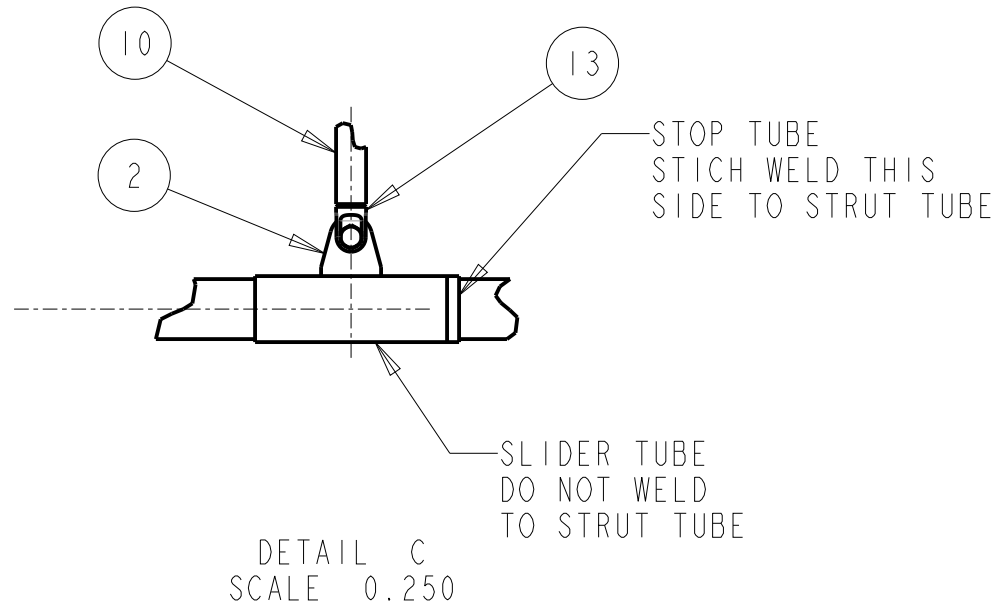


SECTION A-A
SCALE 0.250



REV	DATE	DRN	DESCRIPTION
0	30AUG16	JEB	
			BOTTOM TUBE WELDMENT 80" WHEELIE BAR KIT GENERAL ARRANGEMENT
TOLERANCES: FRACTIONS ±1/32 2 PLC DEC ±0.01 3 PLC DEC ±0.005 ANGLES ±0.5			
MAT'L:			
PART No: 40-347			DRW No: 40-347 - 2

S & W RACE CARS
11 MENNONITE CHURCH RD
SPRING CITY, PA 19475

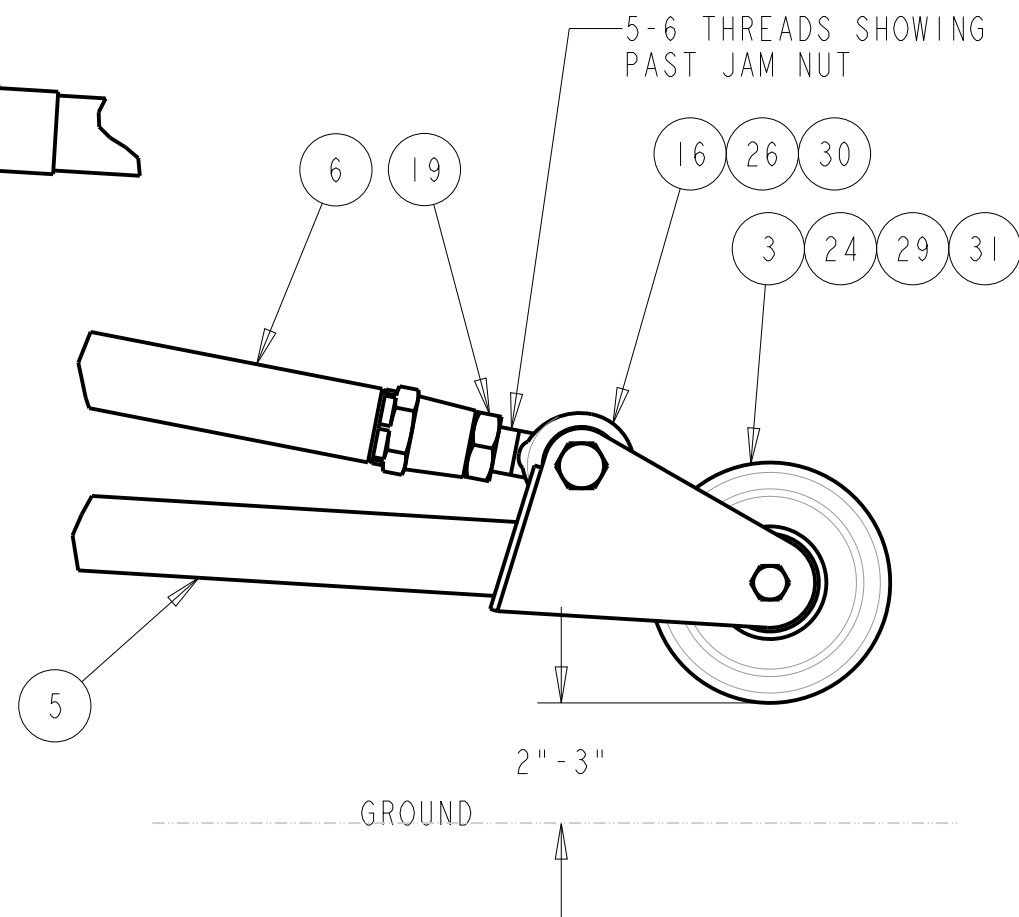
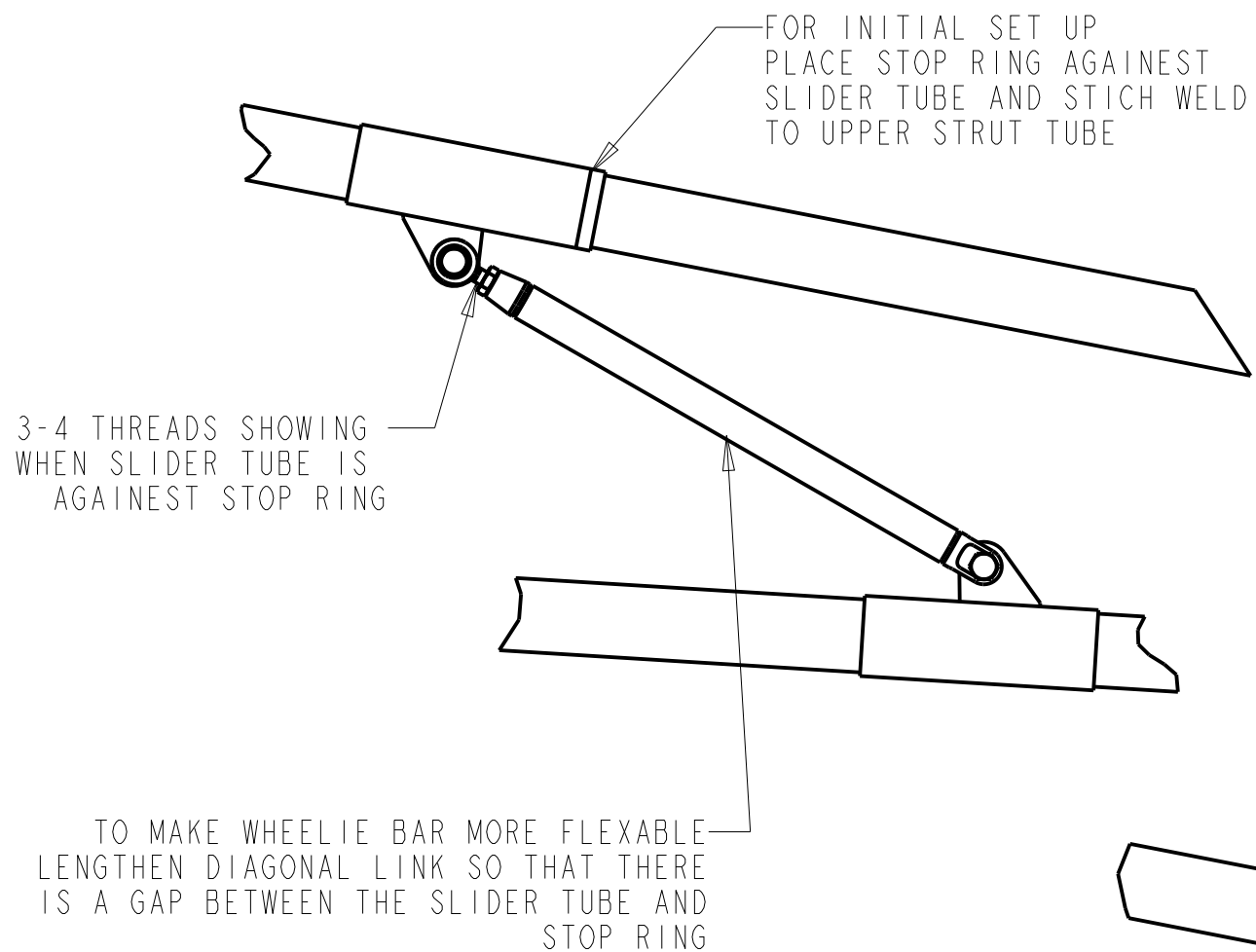


0	30AUG16	JEB	
REV	DATE	DRN	DESCRIPTION
TOLERANCES: FRACTIONS ±1/32 2 PLC DEC ±0.01 3 PLC DEC ±0.005 ANGLES ±0.5°			TOP TUBES & DIAGONAL LINK 80" WHEELIE BAR KIT GENERAL ARRANGEMENT
MAT'L:			
		PART No: 40-347	DRW No: 40-347 - 3

S & W RACE CARS
 11 MENNONITE CHURCH RD
 SPRING CITY, PA 19475

40-347-4

BILL OF MATERIALS			
ITEM	QTY	PART No.	DESCRIPTION
1	4	40-311-10	ANGLE TAB
2	2	40-311-9	STRAIGHT TAB
3	2	40-315-0	WHEELIE BAR WHEEL
4	2	40-3442	WHEELIE BAR HSG BRKT
5	2	40-347-01	LOWER STRUT WELDMNT
6	2	40-347-02	TOP STRUT WELDMNT
7	1	40-347-T1	CROSSMEMBER BOTTOM
8	4	40-347-T2	X-TUBE
9	4	40-347-T3	SLIDER TUBE
10	1	40-347-T6	5/8" CROSSMEMBER TOP
11	2	40-347-T5	5/8 DIAGONAL TUBE
12	2	40-347-T7	STOP RING
13	4	63-052	WELD-IN TUBE CLEVIS
14	4	63-110	THREADED TUBE END 3/4-16
15	2	64-104	1/4 RHM STD ROD END
16	2	64-812	SHPERICAL ROD END 3/4-16 LH
17	4	64-811	CLEVIS, 1/2 X 3/4
18	2	63-078	THREADED TUBE END 1/4-28 X 5/8
19	4	63-311-10	JAM NUT 3/16-16 LH
20	2	65-110	JAM NUT 1/4-28
21	1	40-347-T4	SLIDER TUBE, CROSSMEMBER
22	4	65-002	1/4 X 5/8" BOLT
23	2	65-004	1/4 X 7/8" BOLT
24	2	65-030	3/8 X 2 1/2" LG BOLT
25	4	65-044	1/2 X 1-1/4" HH BOLT
26	2	65-049	1/2 X 2-1/2" LG BOLT
27	6	65-120	3/4 JAM NUT
28	6	65-141	1/4-28 NYLOCK HALF NUT
29	2	65-143	3/8 NYLOCK HALF NUT
30	6	65-145	1/2" NYLOCK HALF NUT
31	2	750X188	AXLE BUSHING



S & W RACE CARS
 11 MENNONITE CHURCH RD
 SPRING CITY, PA 19475

REV	DATE	DRN	DESCRIPTION
A	14SEP16		
			SET UP GENERAL ARRGT and BILL of MATERIALS 80" WHEELIE BAR KIT
PART No: 40-347			DRW No: 40-347 - 4

TOLERANCES:
 FRACTIONS ±1/32
 2 PLC DEC ±0.01
 3 PLC DEC ±0.005
 ANGLES ±0.5°
 MAT'L: