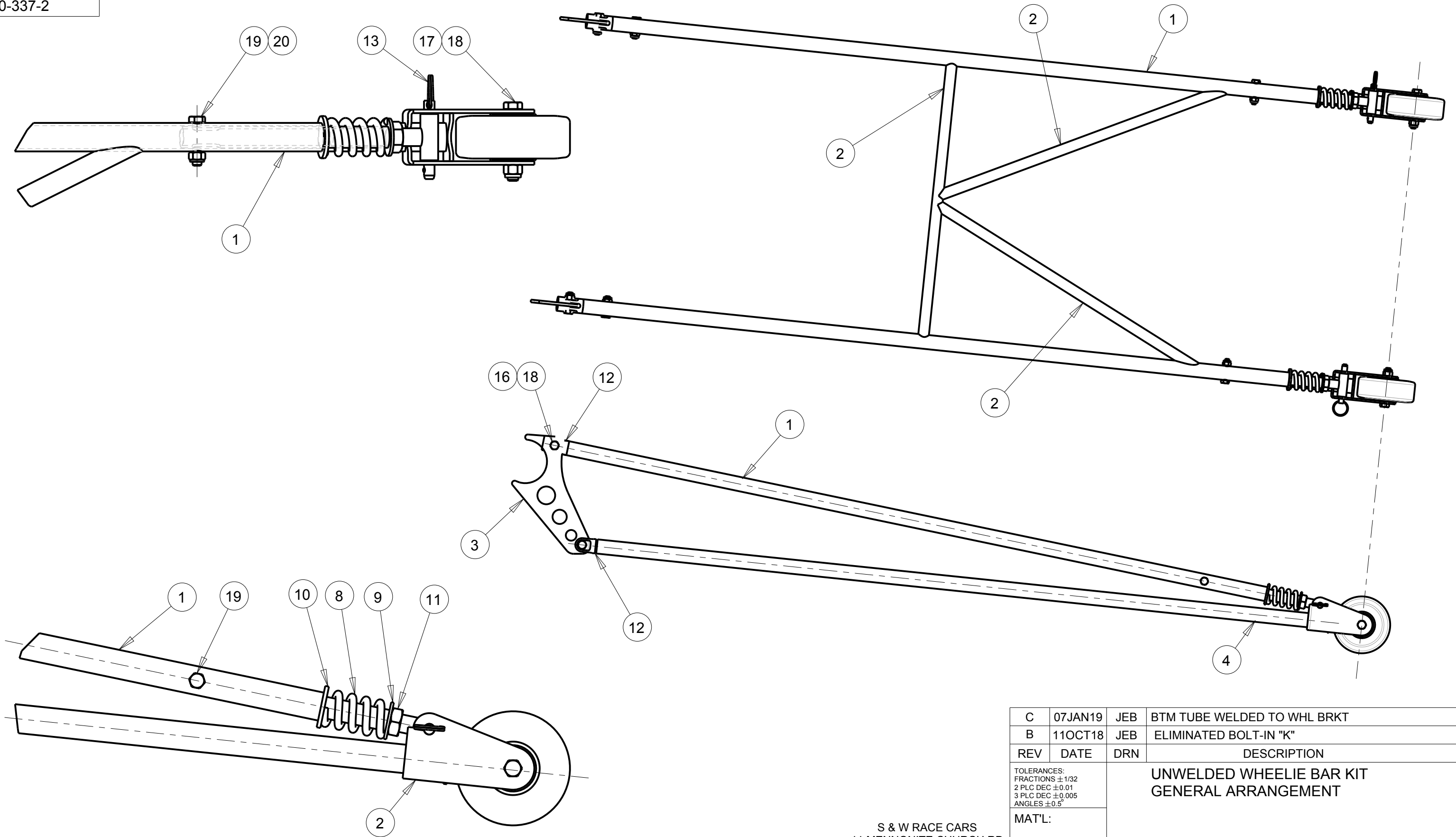


BILL OF MATERIALS			
ITEM	QTY	PART No.	DESCRIPTION
1	2	1X095CMX53	TOP TUBE
2	3	750X058CMX24	K-MEMBER TUBE
3	2	40-3121*	HOUSING BRKT, 3" TUBE
4	2	40-312-01	BOTTOM TUBE WELDMENT
5	-		
6	2	40-326	SLIDER TUBE
7	2	40-3125	THREADED TEE
8	2	40-325	SPRING
9	2	65-205	5/8 FLAT WASHER
10	2	65-206	3/4 FLAT WASHER
11	2	65-118	5/8 JAM NUT
12	4	63-056	TUBE CLEVIS
13	2	40-3126	WHEELIE BAR PIN
14	2	40-315-01	WHEEL
15	2	750X188CMX1.6875	AXLE BUSHING
16	4	65-025	3/8 X 1 1/4" BOLT
17	2	65-030	3/8 X 2 1/2" LG BOLT
18	6	65-132	3/8 NYLOCK NUT
19	2	65-015	5/16 X 1-1/2" BOLT
20	2	65-131	5/16 NYLOCK NUT

* REAR HOUSINGS w/SQUARE BACK BRACE USE HOUSING BRACKET 40-3127

REV	DATE	DRN	DESCRIPTION
C	07JAN19	JEB	BTM TUBE WELDED TO WHL BRKT
B	11OCT18	JEB	ELIMINATED BOLT-IN "K"
			UNWELDED WHEELIE BAR KIT GENERAL ARRANGEMENT
TOLERANCES: FRACTIONS ± 1/32 2 PLC DEC ± 0.01 3 PLC DEC ± 0.005 ANGLES ± 0.5° MAT'L:			
			40-337 & 40-338
			DRW No: 40-337 - 1

S & W RACE CARS
 11 MENNONITE CHURCH RD
 SPRING CITY, PA 19475



C	07JAN19	JEB	BTM TUBE WELDED TO WHL BRKT
B	11OCT18	JEB	ELIMINATED BOLT-IN "K"
REV	DATE	DRN	DESCRIPTION
TOLERANCES: FRACTIONS ± 1/32 2 PLC DEC ± 0.01 3 PLC DEC ± 0.005 ANGLES ± 0.5°			UNWELDED WHEELIE BAR KIT GENERAL ARRANGEMENT
MAT'L:			
			40-337 & 40-338
			DRW No: 40-337 - 2

S & W RACE CARS
 11 MENNONITE CHURCH RD
 SPRING CITY, PA 19475