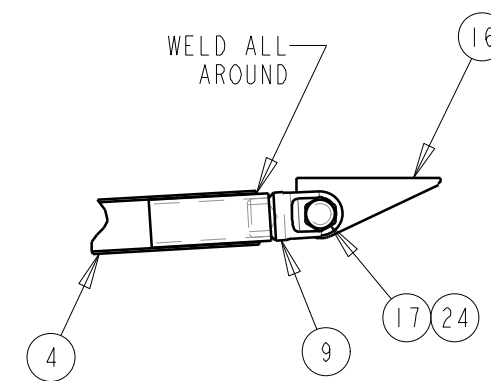
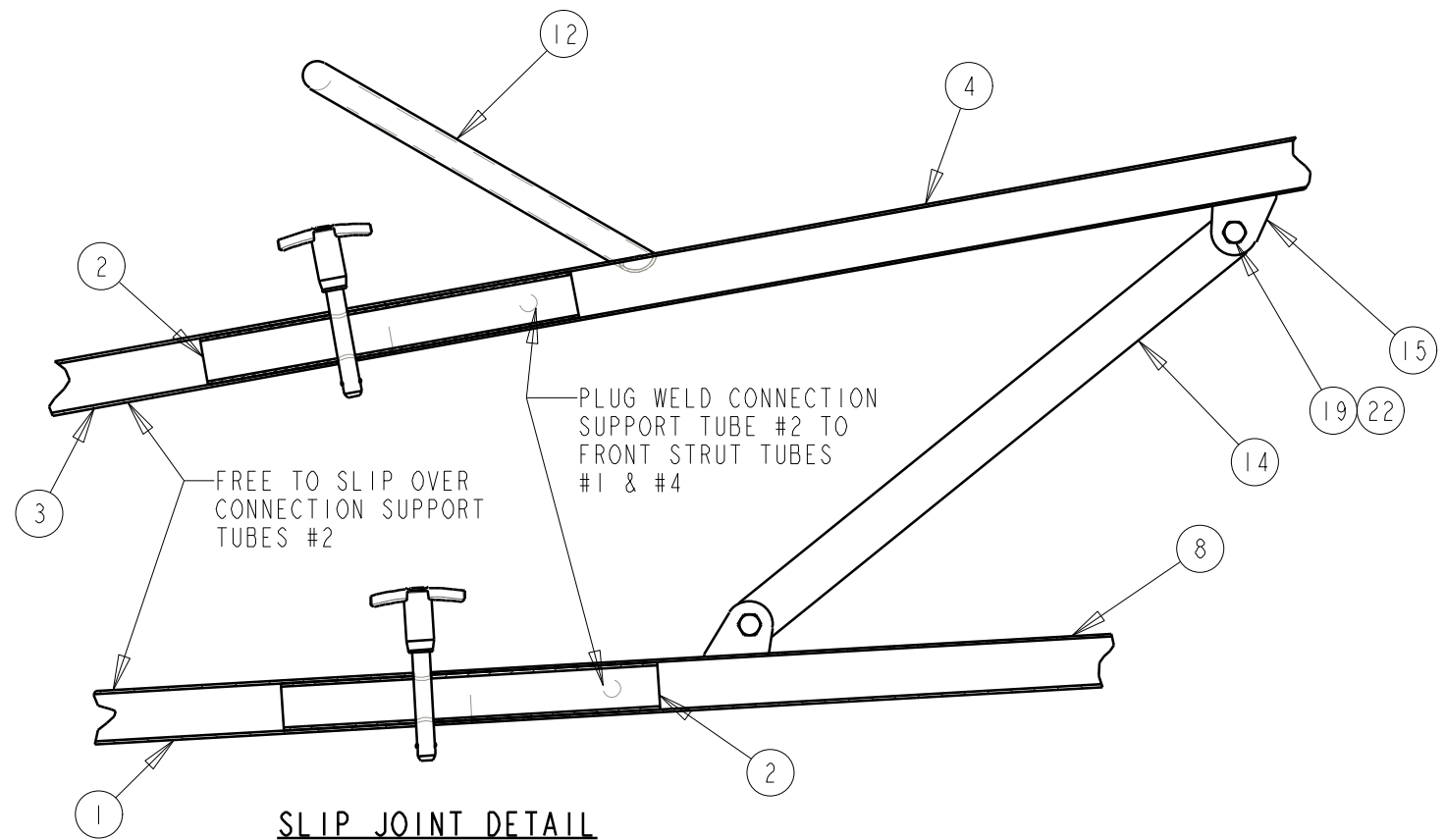
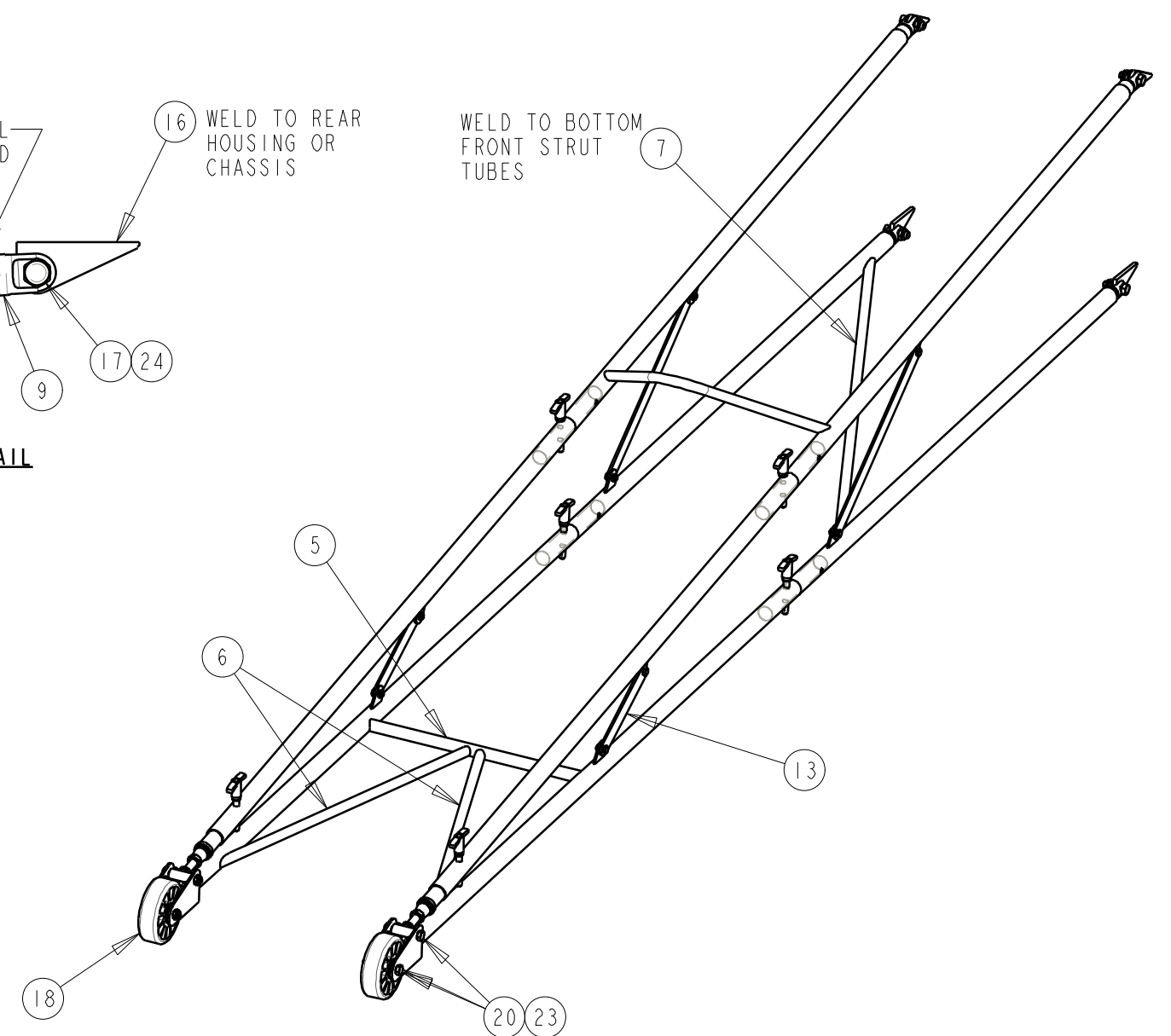


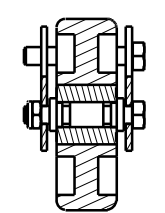
**WHEEL BRACKET & SLIDER DETAIL**



**MOUNTING DETAIL**



**SLIP JOINT DETAIL**



WHEEL ASSY SECTION C-C SCALE 0.250

S & W RACE CARS  
11 MENNONITE CHURCH RD  
SPRING CITY, PA 19475

|   |         |     |  |
|---|---------|-----|--|
| 0   | 23AUG05 | JEB | INITIAL RELEASE  |
| REV   | DATE    | DRN | DESCRIPTION  |
| TOLERANCES:<br>FRACTIONS ±1/32<br>2 PLC DEC ±0.01<br>3 PLC DEC ±0.005<br>ANGLES ±0.5° |         |     | 100" DUAL WHEEL WHEELIE BAR KIT<br>GENERAL ARRANGEMENT |
| MAT'L:  |         |     |  |
| PART No: 40-310   |         |     | DRW No: 40-310 - 1                                     |

BILL OF MATERIALS

| ITEM | QTY | PART No.   | DESCRIPTION             |
|------|-----|------------|-------------------------|
| 1    | 2   | 40-310-5   | LOWER STRUT, REAR       |
| 2    | 4   | 40-310-01B | SPLICE TUBE             |
| 3    | 2   | 40-310-01C | UPPER STRUT TUBE, REAR  |
| 4    | 2   | 40-310-01D | UPPER STRUT TUBE, FRONT |
| 5    | 1   | 40-310-01E | CROSSMEMBER             |
| 6    | 2   | 40-310-01F | K-MEMBER TUBE           |
| 7    | 1   | 40-310-01G | DIAGONAL                |
| 8    | 2   | 40-310-01A | LOWER STRUT, FRONT      |
| 9    | 4   | 40-310-2   | CLEVIS TUBE WELDMENT    |
| 10   | 2   | 40-310-3   | SLIDER TUBE WELDMENT    |
| 11   | 2   | 40-310-4   | WHEELIE BAR TEE         |
| 12   | 1   | 40-310-8   | CHUTE LOOP              |
| 13   | 2   | 40-311-8E  | DIAGONAL LINK, SHORT    |
| 14   | 2   | 40-311-8F  | DIAGONAL LINK, LONG     |
| 15   | 8   | 40-311-10  | ANGLE TAB               |
| 16   | 4   | 40-311-28  | WHEELIE BAR MNTG TAB    |
| 17   | 4   | 40-310-9   | SHOULDER BOLT           |
| 18   | 2   | 40-350     | WHEELIE BAR WHEEL ASSY  |
| 19   | 8   | 65-001     | 1/4 X 1/2" BOLT         |
| 20   | 4   | 65-029     | 3/8 X 2-1/4" BOLT       |
| 21   | 2   | 65-116     | 1/2" JAM NUT            |
| 22   | 8   | 65-141     | 1/4 NYLOCK HALF NUT     |
| 23   | 4   | 65-143     | 3/8 NYLOCK HALF NUT     |
| 24   | 4   | 65-144     | 7/16 NYLOCK HALF NUT    |
| 25   | 6   | 66-010     | 3/8 X 2" QUICK PIN      |

|   |         |  |                    |
|---|---------|--|--------------------|
| 0   | 18JUN10 | JEB  | INITIAL RELEASE    |
| REV   | DATE    | DRN  | DESCRIPTION        |
| TOLERANCES:<br>FRACTIONS ±1/32<br>2 PLC DEC ±0.01<br>3 PLC DEC ±0.005<br>ANGLES ±0.5° |         | 100" DUAL WHEEL WHEELIE BAR KIT<br>BILL of MATERIALS |                    |
| MAT'L:  |         |  |                    |
|   |         | Part No: 40-310                                      | DWR No: 40-310 - 2 |

S & W RACE CARS  
11 MENNONITE CHURCH RD  
SPRING CITY, PA 19475