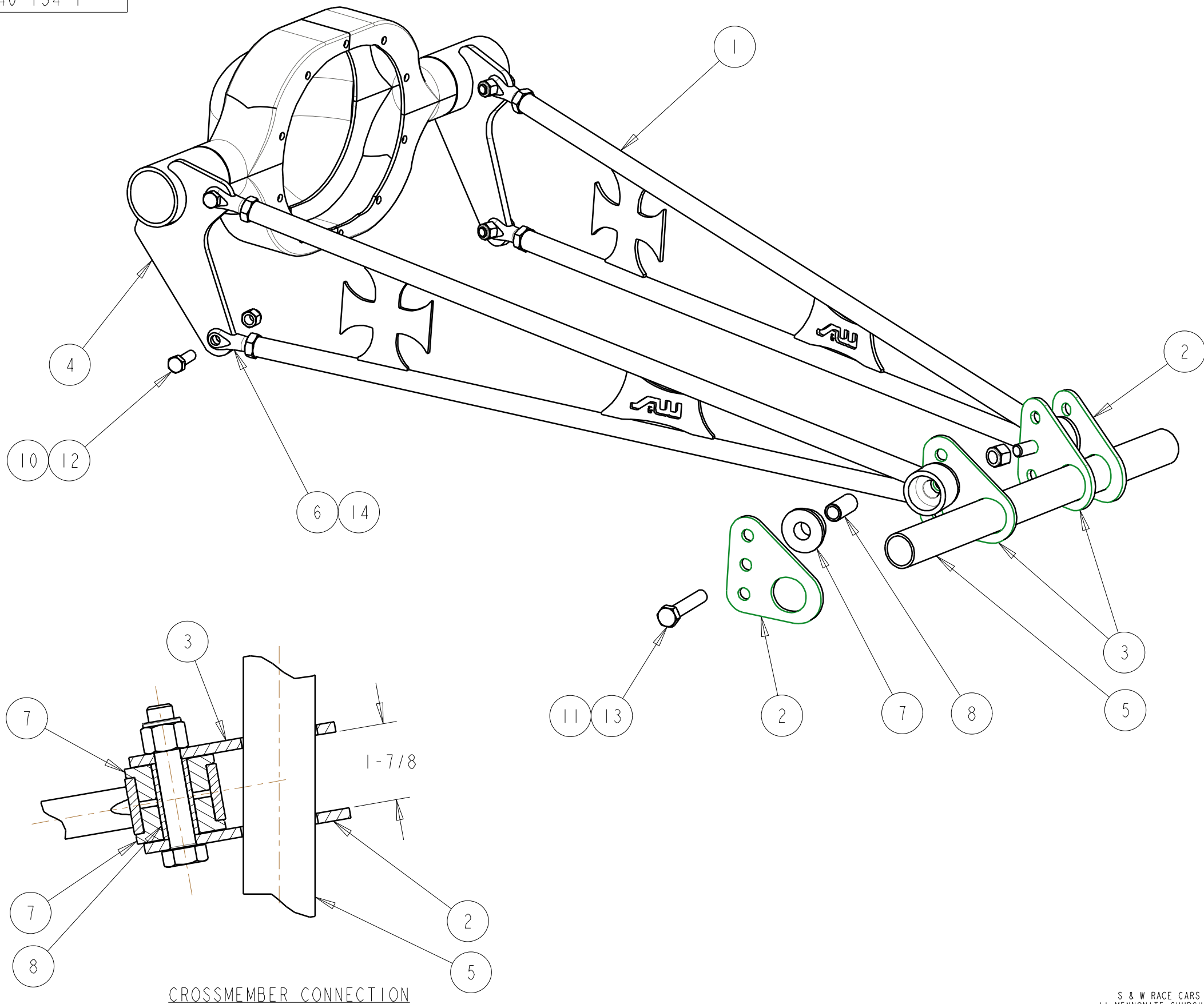


40-134-1



BILL OF MATERIALS

ITEM	QTY	PART No.	DESCRIPTION
1	2	40-1340	42" RAT ROD BAR
2	2	40-134-01A	RAT ROD CROSSM'R BRKT OUTER
3	2	40-134-01B	RAT ROD CROSSM'R BRKT INNER
4	2	40-206RR	RAT ROD BAR HSG BRKT
5	1	1750X134	CROSSMEMBER
6	4	64-811	CLEVIS, 1/2 X 3/4
7	4	40-603-03	POLY BUSHING
8	2	40-109-02	INNER SLEEVE
9	4	65-045	1/2 X 1-1/2" HH BOLT
10	2	65-342	5/8 X 3-1/2 BOLT
11	4	65-135	1/2 NYLOCK NUT
12	2	65-140	5/8 NYLOCK NUT
13	4	65-120	3/4 JAM NUT

NOTE:

1. ASSEMBLE BARS & CLEVIS SO THAT CENTERS ARE THE SAME FROM BAR TO BAR.
2. BARS MAY BE INSTALLED PARALLEL OR ANGLED IN TOWARD THE FRONT.
3. WHEN SETTING HEIGHT OF CROSSMEMBER ALLOW CLEARANCE FOR DRIVE SHAFT MOVEMENT.
4. WHEN SETTING WIDTH OF BARS ALLOW CLEARANCE FOR DRIVE SHAFT.
5. APPLY PRE-LUBE TO ID & OD OF STEEL STEEVE AND FACE OF POLY BUSHING.

0	22JUL10	JEB	INITIAL RELEASE
REV	DATE	DRN	DESCRIPTION
TOLERANCES: FRACTIONS ±1/32 2 PLC DEC ±0.01 3 PLC DEC ±0.005 ANGLES ±0.5°			RAT ROD BAR GENERAL ARRANGEMENT
MAT'L:			
PART No: 40-134			DRW No: 40-134 - 1

S & W RACE CARS
11 MENNONITE CHURCH RD
SPRING CITY, PA 19475