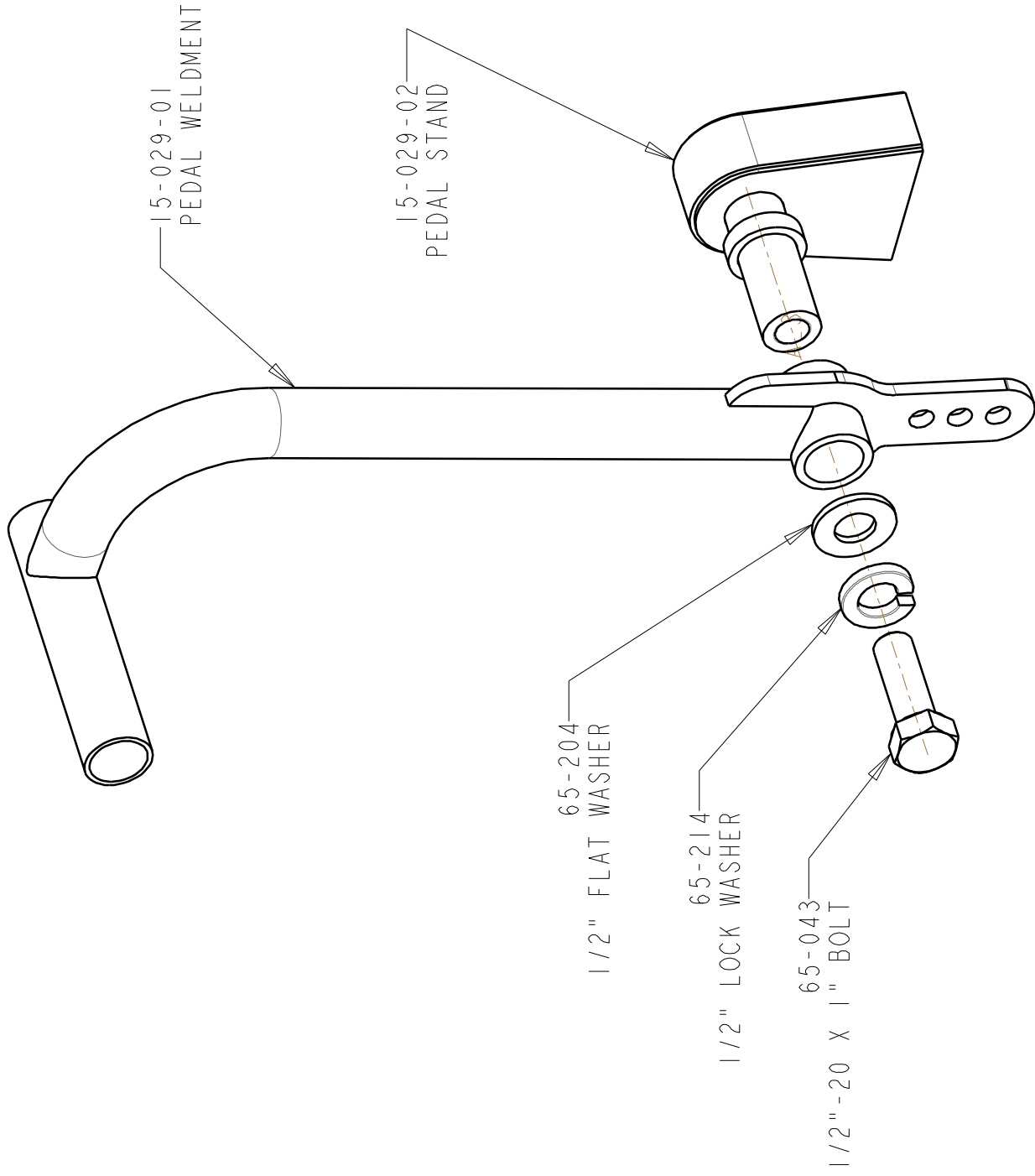


APPX WT. lbs.



0	02NOV04	JEB	INITIAL RELEASE
REV	DATE	DRN	DESCRIPTION
TOLERANCES:		F/C CLUTCH PEDAL GENERAL ARRANGEMENT	
1 FRACTIONS ±1/32			
2 PLC DEC ±0.01			
3 PLC DEC ±0.005			
ANGLES ±0.5°			
MAT'L:			
SCALE 0.500		Part No: 15-029	
		DWR No: 15-029 - 1	

S & W RACE CARS 11 MENNONITE CHURCH RD
SPRING CITY, PA 19475