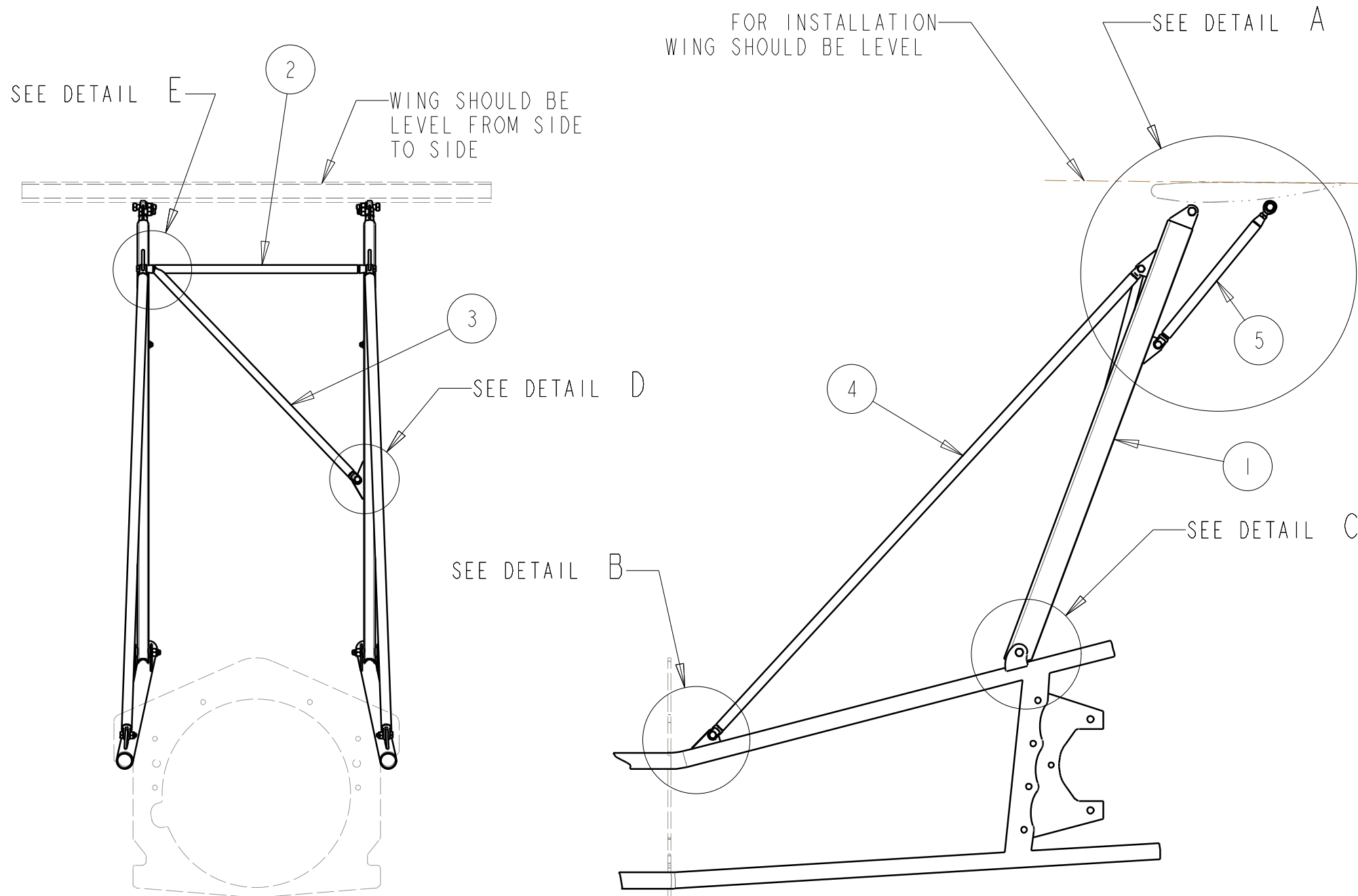


05-028-1



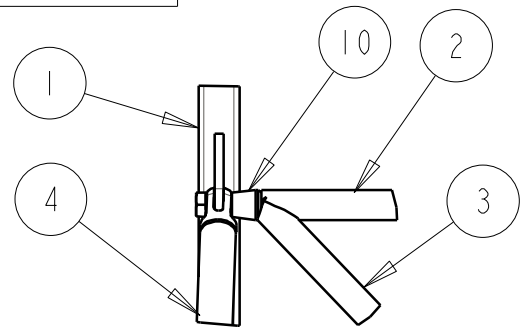
BILL OF MATERIALS

ITEM	QTY	PART No.	DESCRIPTION
1	2	05-028-01	WING STRUT
2	1	05-028-02	CROSSMEMBER WELDMENT
3	1	05-028-03	DIAGONAL
4	2	05-028-04	DIAGONAL STRUT BRACE
5	2	05-028-05	ADJUSTER STRUT
6	4	60-305	LIGHT PARACHUTE TAB
7	2	60-309	WING STRUT MOUNTING TAB
8	1	05-012	WING STRUT DIAGONAL TAB
9	4	63-053	WELD-IN TUBE CLEVIS
10	1	63-092	THREADED TUBE END
11	2	64-106	3/8 RHM STD ROD END
12	2	65-112	3/8 JAM NUT
13	2	65-028	3/8 X 2" LG BOLT
14	6	65-013	5/16 X 1" BOLT
15	2	65-024	3/8 X 1" BOLT
16	1	65-003	1/4 X 3/4" BOLT
17	1	65-130	1/4-28 NYLOCK HEX NUT
18	4	65-131	5/16 NYLOCK NUT
19	6	65-132	3/8 NYLOCK NUT
20	2	65-026	3/8 X 1 1/2" BOLT
21	2	65-202	3/8 FLAT WASHER

NOTE:  
 1. WHEN MOUNTING WING CAR SHOULD BE IN RACE TRIME AND SITTING ON A LEVEL SURACE AT RIDE HEIGHT.  
 2. FOR INSTALLATION OF KIT SCREW ROD ENDS w/JAM NUTS INTO ADJUSTER STRUTS SO THAT ADJUSTMENT IS AS SHORT AS POSSIBLE.

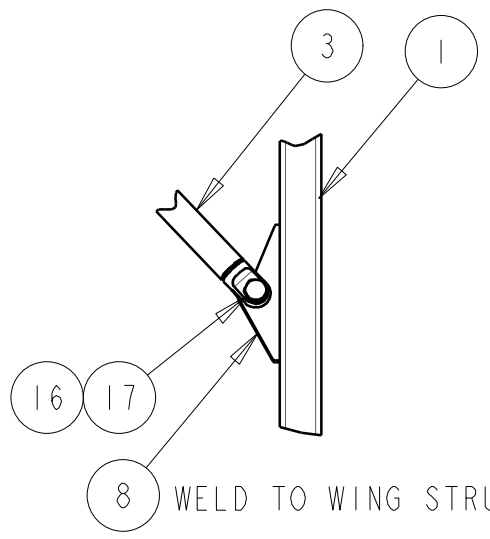
0	02MAY11	jeb	INITIAL RELEASE
REV	DATE	DRN	DESCRIPTION
TOLERANCES: FRACTIONS ±1/32 2 PLC DEC ±0.01 3 PLC DEC ±0.005 ANGLES ±0.5°			DRAGSTER REAR WING MOUNT KIT GENERAL ARRANGEMENT
MAT'L:			
PART No:			05-028 05-029
			DRW No: 05-028 - 1

S & W RACE CARS  
 11 MENNONITE CHURCH RD  
 SPRING CITY, PA 19475



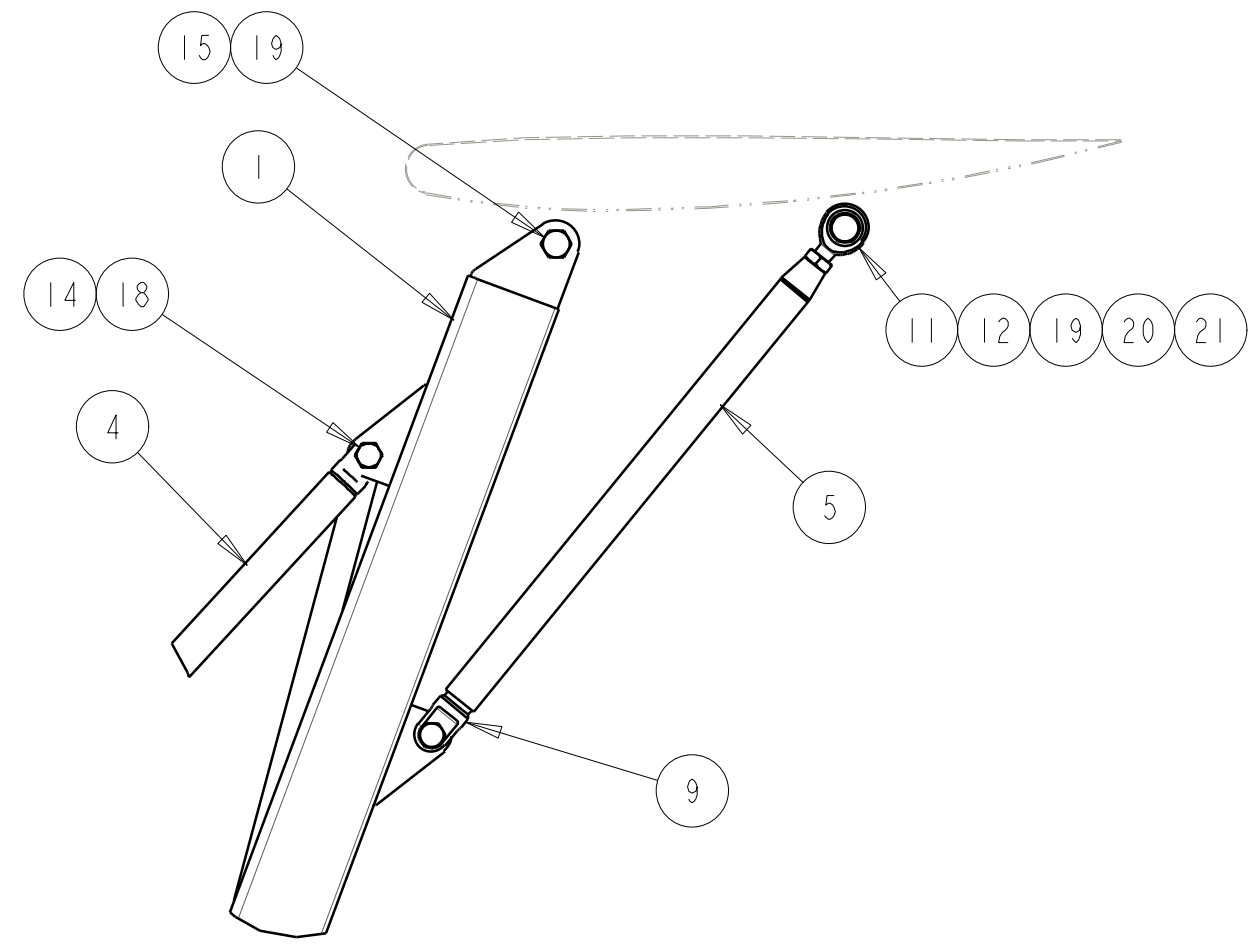
FIT & WELD TO  
CROSSMEMBER

DETAIL E  
SCALE 0.250

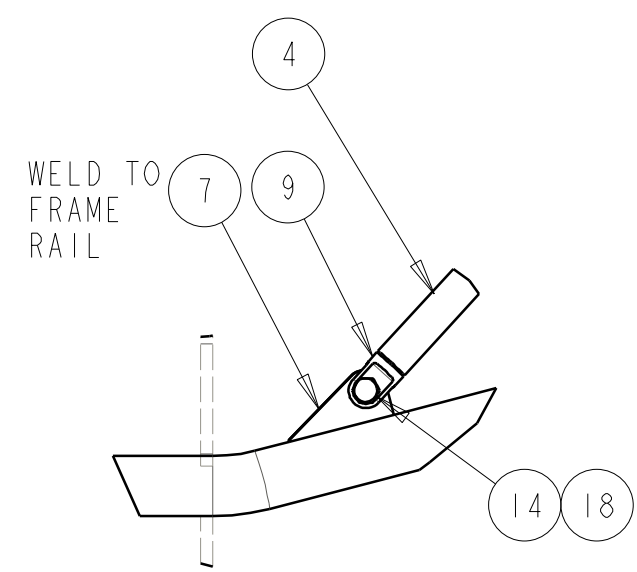


WELD TO WING STRUT

DETAIL D  
SCALE 0.250

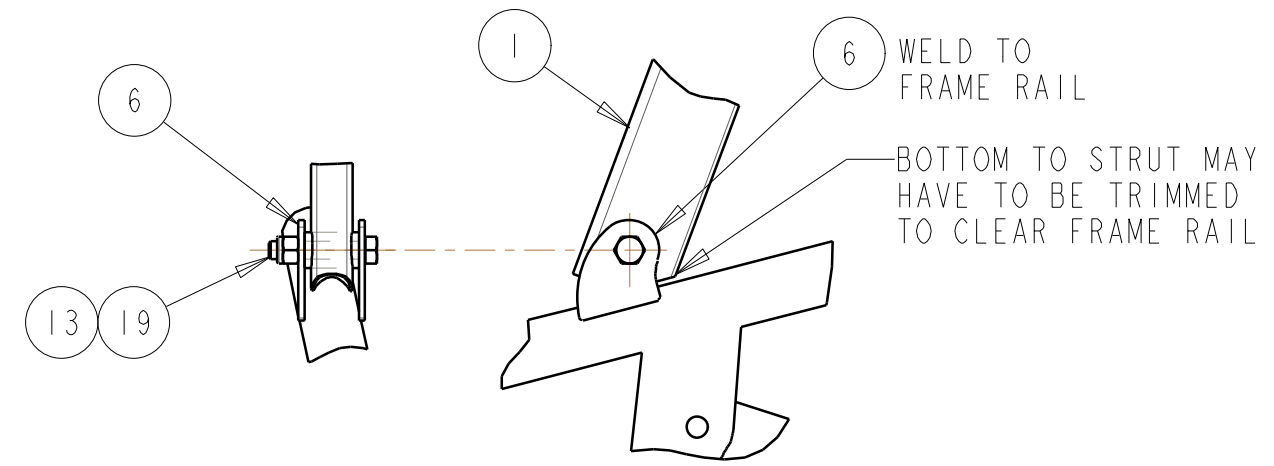


DETAIL A  
SCALE 0.250



WELD TO  
FRAME  
RAIL

DETAIL B  
SCALE 0.250



WELD TO  
FRAME RAIL

BOTTOM TO STRUT MAY  
HAVE TO BE TRIMMED  
TO CLEAR FRAME RAIL

DETAIL C  
SCALE 0.250

0	02MAY11	JEB	INITIAL RELEASE
REV	DATE	DRN	DESCRIPTION
TOLERANCES: FRACTIONS ±1/32 2 PLC DEC ±0.01 3 PLC DEC ±0.005 ANGLES ±0.5°			DRAGSTER REAR WING MOUNT KIT DETAIL VIEWS
MAT'L:			05-028 05-029
PART No: 05-028			DRW No: 05-028 - 2

S & W RACE CARS  
11 MENNONITE CHURCH RD  
SPRING CITY, PA 19475