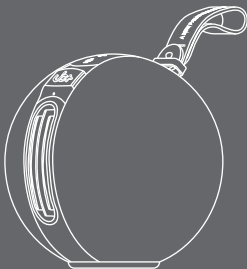


English

Ver1.3

S1



FOR MORE INFORMATION : [WWW.UB-PLUS.COM](http://WWW.UB-PLUS.COM)

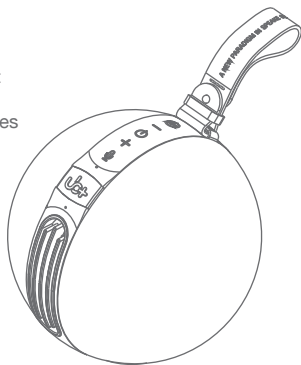
**ub+**  
S1 CIRCLE  
USER MANUAL

MODEL : M03

# CONGRATULATIONS

You are now the proud owner of a ub+ S1 CIRCLE Speaker. This speaker incorporates the best elements of traditional speaker design and the latest audio technology, to create a large size speaker, that is suited for wireless devices in this age of mobility.

Please contact us if you have any comments or questions.  
[www.ub-plus.com](http://www.ub-plus.com)



Scan me!  
To give your opinion  
on your ub+ S1  
CIRCLE

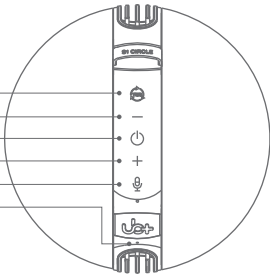
@ubplusofficial  



Printed in china

# CONTROLS

True Wireless Stereo (TWS)  
 Volume (Down)  
 Power Button  
 Volume (Up)  
 Mic  
 Indicator



## True Wireless Stereo (TWS)

Connect 2 speaker together (Same model) .

**Press X1 with both speaker at the same time**



## Power / Bluetooth button

- ↓ X1 Power on
- ↓ 5s Full shutdown
- ↓ 3s Bluetooth pairing mode



## Mic

- ↓ X1 On / Mute

## Indicator Status

---

Blue	Bluetooth connected
Blinking blue	Awaiting to connect Bluetooth
Red	Charging battery
Blinking red	Low battery ( Battery level < 20% )
Green	AUX 3.5mm Jack

---

# CONTROLS

## SWITCHING ON AND OFF

Press the Power button  to turn the speaker on.

Press and hold the Power button 5 sec to turn the speaker off.

## BLUETOOTH PAIRING WITH DEVICE

Press and hold the Power button  for the speaker to enter into Bluetooth pairing mode.

There will be "pairing " audio feedback from the speaker and it will sound out an indicative tone when it is paired.

## Power on

Press X1  to power up speaker

Press X1  one more time to connect last used devices

## RESETTING THE SYSTEM

To reset the system, press and hold on to Power button for 15 secs. Indicator will blink blue and there will be a brand sound .

## MICROPHONE

Press the  button once to put the EUPHO S1 CIRCLE speaker on mode.

Press the  button to turn off speaker microphone.

# TWS



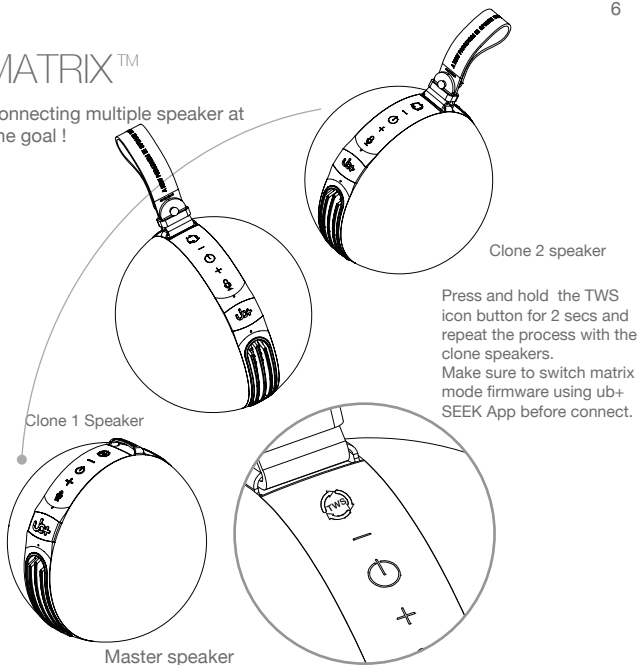
True Wireless Stereo  
(TWS) pairing mode

Press **⏏** X1 the TWS icon button for both speaker.



# MATRIX™

Connecting multiple speaker at one goal !



Clone 2 speaker

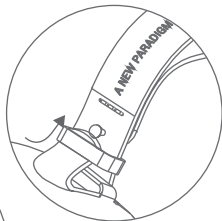
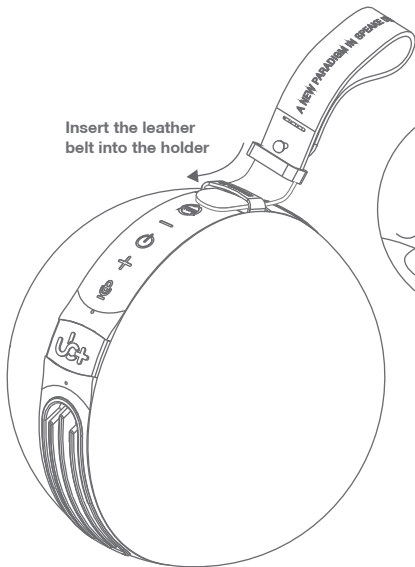
Press and hold the TWS icon button for 2 secs and repeat the process with the clone speakers. Make sure to switch matrix mode firmware using ub+ SEEK App before connect.

Clone 1 Speaker

Master speaker

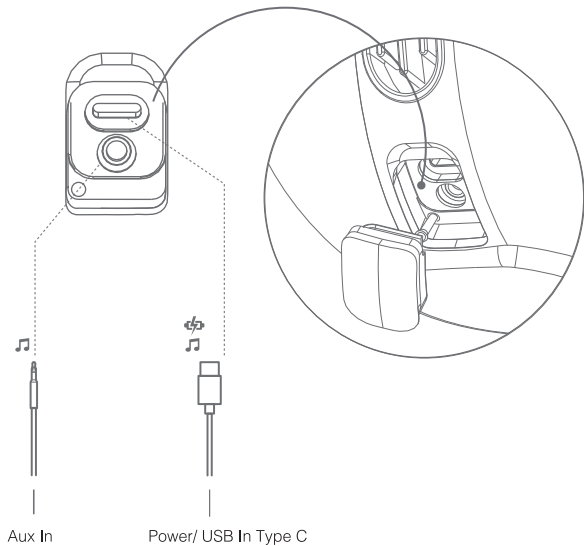
# ASSEMBLE

Insert the leather  
belt into the holder



Push the strap into  
metal buckle and secure  
it using the metal knob.

# PORTS





## IMPORTANT SAFETY INSTRUCTIONS

Read this instruction carefully and completely before using the product. Refer to the following information to use your product safely, and to reduce the chance of electric shock, short-circuiting, damage, fire, hearing impairment or other hazards. Improper handling may void the warranty for your product.

- Always keep the product dry and do not expose it to extreme temperatures (hairdryer, heater, extended exposure to sunlight, etc.) to avoid corrosion or deformation.
- Do not expose your product to water and moisture. If your product is moisture-resistant, take care and not to immerse in water or expose to rain.
- Charge products with built-in rechargeable batteries at ambient temperatures between 10 and 40°C/ 50 and 104°F
- When not using the product for extended periods of time, charge its built-in rechargeable battery regularly (about every 3 months).
- Disposal of a battery into fire or a hot oven, or mechanically crushing or cutting of a battery, can result in an explosion
- Leaving a battery in an extremely high temperature surrounding environment can result in an explosion or the leakage of flammable liquid or gas
- A battery subjected to extremely low air pressure may result in an explosion or the leakage of flammable liquid or gas
- Use only attachments/accessories/spare parts supplied or recommended by ub+
- Clean the product only with a soft, dry cloth.
- Do not dismantle or attempt to repair your product.
- Do not pierce, crush or set fire to your product

- Keep the product, accessories and packaging parts out of reach of children and pets to prevent accidents. Swallowing and choking hazard.
- In case of smoke, abnormal sound, or abnormal smell, please disconnect the DC power immediately.
- Use only the standard USB ports certified according to IEC60950-1 as LPS or IEC62368-1 as PS2.
- Pay attention to the cables between equipment against stumbling
- Hanging of the speaker should not exceed the height of 2 meters. Mounting parts onto ceiling wall must withstand 4X of the weight of the equipment.
- Once the product out of service, please handle the waste according to the local regulations.
- To ensure safety, it is important not to dispose of the battery in areas with high temperatures, water, or acidic environments. Please exercise caution and adhere to proper disposal guidelines to prevent any potential hazards.

## Federal Communication Commission (FCC) Interference Statement

FCC Part 15: This equipment has been tested and found to comply with the limits for a Class B digital device, pursuant to Part 15 of the FCC Rules. These limits are designed to provide reasonable protection against harmful interference in a residential installation. This equipment generates, uses and can radiate radio frequency energy and, if not installed and used in accordance with instructions, may cause harmful interference to radio communications.

## Federal Communication Commission (FCC) Interference Statement

However, there is no guarantee that interference will not occur in a particular installation. If this equipment does cause harmful interference to radio or television reception, which can be determined by turning the equipment off and on, the user is encouraged to try to correct the interference by one or more of the following measures:

- Reorient or relocate the receiving antenna.
  - Increase the separation between the equipment and receiver.
  - Connect the equipment into an outlet on a circuit different from that to which the receiver is connected.
  - Consult the dealer or an experienced radio/TV technician for help.
- Changes or modifications not expressly approved by the party responsible for compliance could void the user's authority to operate the equipment.

## FOR INTEGRATED BATTERY

This product contains a Lithium ion/polymer battery that should only be removed by an authorized recycling centre. By recycling this product at your local authorized recycling centre or the place of purchase, the battery will be removed and recycled separately.

### Additional guidelines for wireless devices

- The short wave radio frequency signals of a wireless device may impair the operation of other electronic and medical devices.
- Switch off the device where it is prohibited. Do not use the device in medical facilities, aircraft, refueling points, close to automatic doors, automatic fire alarms or other automatically controlled devices.
- Keep this device at least 20 cm from pacemakers and other medical devices. Radio waves may impair the operation of pacemakers and other medical devices

### Additional Warning for Battery (pack)

Lithium-ion batteries used in the product may expose fire or explosion hazards if misuse.

Batteries shall not be exposed to excessive heat or fire in case of explosion.

Don't handle leaking or damaged batteries.

Dispose of used batteries according to local regulation correctly.

## IMPORTANT SAFETY INSTRUCTIONS

### CAUTION:

To comply with the Europe CE requirement, this device must be installed with CE certified computer equipment which meet with Class B limits. All cables used to connect this device must be shielded, grounded and no longer than 3m in length. Operation with non-certified computers or incorrect cables may result in interference to other devices or undesired effects to the product.

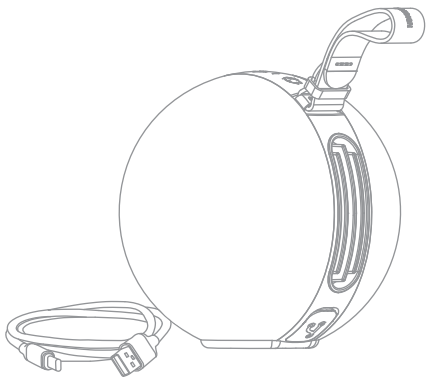
**MODIFICATION:** Any changes or modifications not expressly approved by TGI Technology Pte Limited or one of its affiliated companies could void the user's warranty and guarantee rights.



ub+ hereby declares that this product is in compliance with the essential requirements and other relevant provisions of Directive 2014/53/EU and all other EU directive requirements. The complete declaration of conformity can be found at: [www.ub-plus.com](http://www.ub-plus.com) compliance.  
Frequency band of operation 2400 to 2480 MHz

## WHAT'S IN THE BOX

- UB+ S1 CIRCLE Speaker
- User manual
- USB cable
- Leather strap



# WARRANTY

## WARRANTY

This appliance is guaranteed for 12 months from the date of purchase. In the event of a breakdown, contact your dealer. Proof of purchase will be required for any service requested during the warranty period. This warranty will not apply in the event of failure caused by an accident or similar incident or damage, liquid ingress, negligence, misuse, lack of maintenance or any other circumstances on the part of the user.



## THE MOVING SOUNDSTAGE

---

DESIGNED & ENGINEERED IN SINGAPORE