

Chevrolet Corvette C8 Brake Kit (Aftermarket Wheels)



Kit Specifications

	Brake Kit Part Number
C8 Car Kit (Front & Rear)	BRK.200519
C8 Front Kit	BRK.200520
C8 Rear Kit	BRK.200521

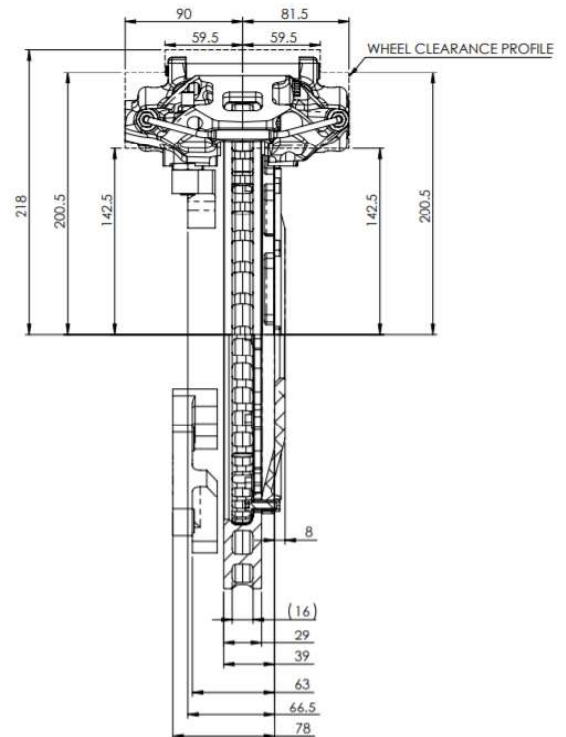
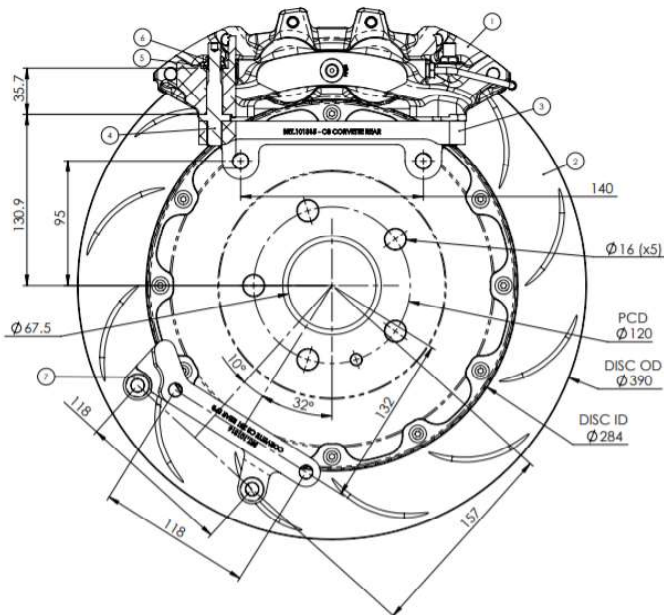
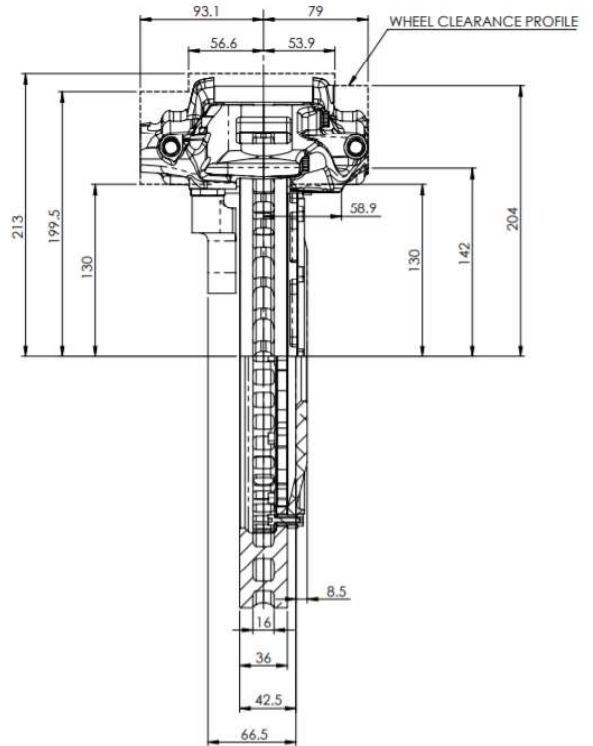
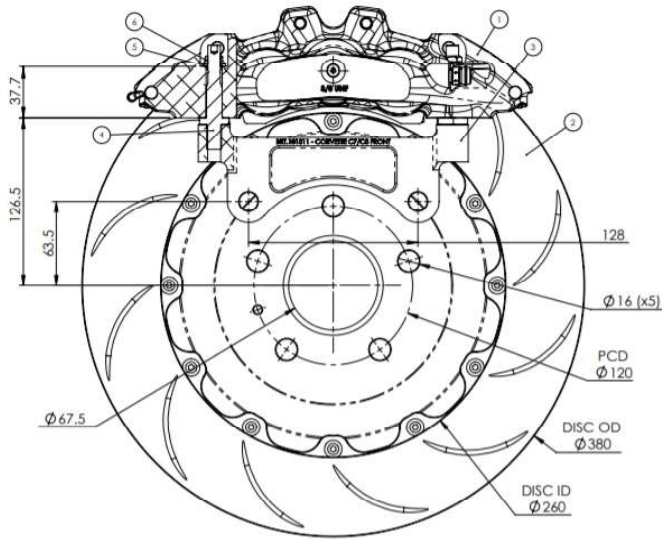
Years	2020 - Current	2020 - Current
Model	C8	C8
Axle	Front	Rear
Caliper Part #	CAR8959Y24SSLT/RT	CAR4959C02PESLL/RL
Piston Sizes	6-Piston: 27.0/31.8/38.1mm	4-Piston: 31.8/34.9mm
Caliper Weight	6.7 lbs.	6.0 lbs.
Rotor Diameter, Thickness & Vane Count	380x36mm, 48 Vane	390x29mm, 48 Vane
Rotor Weight	23.5 lbs.	15.9 lbs.
Fits Wheel Size	19" Aftermarket	20" OEM
Left Rotor Assembly Part #	ROY.101305	ROY.101307
Right Rotor Assembly Part #	ROY.101306	ROY.101308
Left Rotor Part #	ROR.910417	ROR.910447
Right Rotor Part #	ROR.910418	ROR.910448
Hat Part #	HAT.101313	HAT.101314
Bracket Part #	BRT.101311	BRT.101315
Stud Part #	STT.101276	STT.101276
Stud Nut & Washer Part #	PSYMS6, PSYWS6	PSYMS6, PSYWS6
Parking Brake Bracket Part # (Utilizes Stock Parking Brake Caliper)	N/A	BRT.101316L (Left), BRT.101316R (Right)
Banjo Kit, Axle Kit, Utilize With OEM Brake Lines (Includes Banjos & Washers)	BRN.101382 (Long Banjo)	BRN.101381 (Short Banjo)

Not Included In Kit: Brake Line Kit Part # (Kit For One Caliper, Includes Banjo, Clip & QTY:2 Banjo Washers)	BRN.101377 (Left), BRN.101378 (Right)	BRN.101379 (Left), BRN.101380(Right)
--	--	---

Rotor Hardware For All Rotor Assemblies	
Round Bobbin Part Number (12 Of Each Per Rotor)	BOT.100002
Bolt Part Number (6 Of Each Per Rotor)	SCT.100107
Washer Part Number (12 Of Each Per Rotor)	HAE.100248
Anti-Rattle Clips For All Rotor Assemblies	
Anti-Rattle Clips (6 Of Each Per Rotor)	ANP.100538
Anti-Rattle Clip Bolt Part Number (6 Of Each Per Rotor)	SCT.100542
Anti-Rattle Clip Washers (6 Of Each Per Rotor)	HAE.101018
Torque Spec	60 in/lbs. With Blue Loctite

Pad Shapes		
Front / Rear Pad Thickness	Pad Shape Drawing	Pad Part Number
18mm Thick Front Pads		PSD.1009.B1.180 Project Mu H16 - 1090T18H163B
20mm Thick Rear Pads		PSD.1002.B1.200 Project Mu H16 - 1070T20H163B

Chevrolet Corvette C8 Front & Rear Brake Kit (Aftermarket Wheels)



INFORMATION



Chevrolet Corvette C8 Brake Kit - Plated Calipers (Aftermarket Wheels)



Kit Specifications

	Brake Kit Part Number
C8 Car Kit (Front & Rear)	BRK.200553
C8 Front Kit	BRK.200554
C8 Rear Kit	BRK.200555

Years	2020 - Current	2020 - Current
Model	C8	C8
Axle	Front	Rear
Caliper Part #	CAR8959Y16SSLT/RT	CAR4959C03PESSL/RL
Piston Sizes	6-Piston: 27.0/31.8/38.1mm	4-Piston: 31.8/34.9mm
Caliper Weight	6.7 lbs.	6.0 lbs.
Rotor Diameter, Thickness & Vane Count	380x36mm, 48 Vane	390x29mm, 48 Vane
Rotor Weight	23.5 lbs.	15.9 lbs.
Fits Wheel Size	19" Aftermarket	20" OEM
Left Rotor Assembly Part #	ROY.101305	ROY.101307
Right Rotor Assembly Part #	ROY.101306	ROY.101308
Left Rotor Part #	ROR.910417	ROR.910447
Right Rotor Part #	ROR.910418	ROR.910448
Hat Part #	HAT.101313	HAT.101314
Bracket Part #	BRT.101311	BRT.101315
Stud Part #	STT.101276	STT.101276
Stud Nut & Washer Part #	PSYMS6, PSYWS6	PSYMS6, PSYWS6
Parking Brake Bracket Part # (Utilizes Stock Parking Brake Caliper)	N/A	BRT.101316L (Left), BRT.101316R (Right)
Banjo Kit, Axle Kit, Utilize With OEM Brake Lines (Includes Banjos & Washers)	BRN.101382 (Long Banjo)	BRN.101381 (Short Banjo)

Not Included In Kit: Brake Line Kit Part # (Kit For One Caliper, Includes Banjo, Clip & QTY:2 Banjo Washers)	BRN.101377 (Left), BRN.101378 (Right)	BRN.101379 (Left), BRN.101380(Right)
--	--	---

Rotor Hardware For All Rotor Assemblies	
Round Bobbin Part Number (12 Of Each Per Rotor)	BOT.100002
Bolt Part Number (6 Of Each Per Rotor)	SCT.100107
Washer Part Number (12 Of Each Per Rotor)	HAE.100248
Anti-Rattle Clips For All Rotor Assemblies	
Anti-Rattle Clips (6 Of Each Per Rotor)	ANP.100538
Anti-Rattle Clip Bolt Part Number (6 Of Each Per Rotor)	SCT.100542
Anti-Rattle Clip Washers (6 Of Each Per Rotor)	HAE.101018
Torque Spec	60 in/lbs. With Blue Loctite

Pad Shapes		
Front / Rear Pad Thickness	Pad Shape Drawing	Pad Part Number
18mm Thick Front Pads		PSD.1009.B1.180 Project Mu H16 - 1090T18H163B
20mm Thick Rear Pads		PSD.1002.B1.200 Project Mu H16 - 1070T20H163B

Revised 11/6/2021

Chevrolet Corvette C8 Front & Rear Brake Kit - Plated Calipers (Aftermarket Wheels)

