

BMW F80 M3, F82 M4, F87 M2 Brake Kit

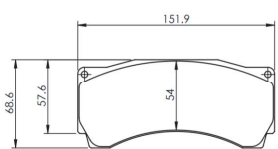
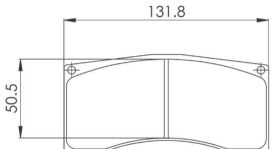
Kit Specifications



	Brake Kit Part Number
F8* Car Kit (Front & Rear)	BRK.200508
F8* Front Kit	BRK.200509
F8* Rear Kit	BRK.200510

Years	2014 - 2018	2014 - 2018
Model	F80 M3, F82 M4, F87 M2	F80 M3, F82 M4, F87 M2
Axle	Front	Rear
Caliper Part #	CR6420/36-27/32/38LT/RT	CAR4949AT06PESLL/RL
Piston Sizes	6-Piston: 27.0/31.8/38.1mm	4-Piston: 27.0/28.6mm
Caliper Weight	7.3 lbs.	6.0 lbs.
Rotor Diameter, Thickness & Vane Count	380x36mm, 48 Vane	355x28mm, 48 Vane
Rotor Weight	23.5 lbs.	13.5 lbs.
Fits Wheel Size	?	?
Left Rotor Assembly Part #	ROY.101289	ROY.101291
Right Rotor Assembly Part #	ROY.101290	ROY.101292
Left Rotor Part #	ROR.910417	ROR.910419
Right Rotor Part #	ROR.910418	ROR.910420
Hat Part #	HAT.101285	HAT.101286
Bracket Part #	BRT.101280	BRT.101281 (Left), BRT.101282 (Right)
Stud Part #	STT.101276	STT.101276
Stud Nut & Washer Part #	PSYMS6, PSYWS6	PSYMS6, PSYWS6
Brake Lines (Kit For One Caliper)	BRN.101303	BRN.101304

Rotor Hardware For All Rotor Assemblies	
Round Bobbin Part Number (12 Of Each Per Rotor)	BOT.100002
Bolt Part Number (6 Of Each Per Rotor)	SCT.100107
Washer Part Number (12 Of Each Per Rotor)	HAE.100248
Anti-Rattle Clips For All Rotor Assemblies	
Anti-Rattle Clips (6 Of Each Per Rotor)	ANP.100538
Anti-Rattle Clip Bolt Part Number (6 Of Each Per Rotor)	SCT.100542
Anti-Rattle Clip Washers (6 Of Each Per Rotor)	HAE.101018
Torque Spec	60 in/lbs. With Blue Loctite

Pad Shapes		
Front / Rear Pad Thickness	Pad Shape Drawing	Pad Part Number
25mm Thick Front Pads		Hawk DTC-30 - HBRHB109W710B
20mm Thick Rear Pads		FDP - PSD.1002.T1.160 Hawk DTC-30 - HBRHB105W620B Project Mu H16 - 1070T16H163B