



# **MAGNITUDE**

Lighting Converters

## **VOLTAGE DIMMABLE CLASS 2 LED DRIVERS**

We **Drive** Light

UL LISTED



# 40W 12V DC LED Driver



E465183

## 40W Voltage Dimmable Class 2 LED Driver

Product Code: E40L12DC-KO

Magnitude's E40L12DC-KO dimmable voltage LED driver is class 2 rated and designed to operate with any standard TRIAC dimmer switches. Encased in a low profile aluminum enclosure that includes 2 knock-outs to enable easy installation makes it the perfect choice for under cabinet lights, tape lights and various LED fixtures installations. Our electrical specification includes Auto Reset, over current and short circuit protection. Efficiency of 90% and higher allows the driver to operate at low temperatures.

## Features

Dimmable with any standard TRIAC dimmer switch  
 Super compact ALUMINUM CASE.

Class 2

UL 8750

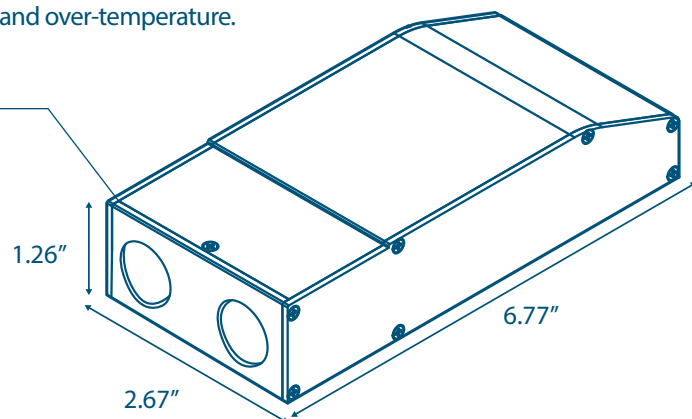
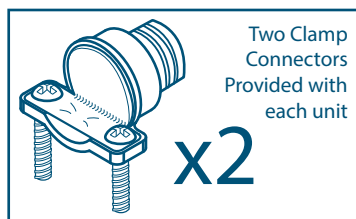
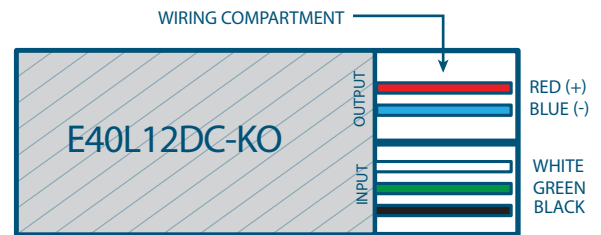
IP67

Withstands wet and salty conditions.

Auto-Reset Protection for short circuits, over-voltage and over-temperature.

FCC 15 part 2

12V DC True RMS

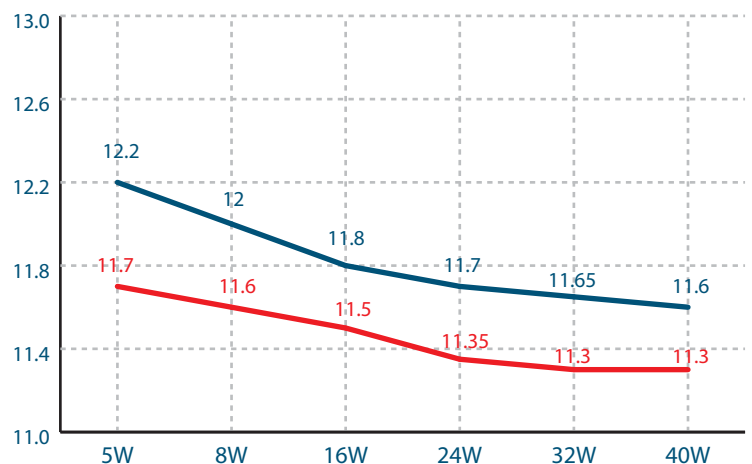


## Specifications

|                             |                             |
|-----------------------------|-----------------------------|
| Max Load                    | 40W                         |
| Input Voltage               | 120V AC                     |
| Input Current at Max Load   | 0.41 A                      |
| Output Voltage              | 12V DC                      |
| Output Current at Max Load  | 3.5 A                       |
| Power Factor                | 0.95                        |
| Efficiency                  | > 90%                       |
| Operating Temp.             | -20°C - 70°C (-4°F - 158°F) |
| Short circuit protection    | Yes                         |
| Overcurrent                 | Yes                         |
| Over temperature            | Yes                         |
| Open circuit protection     | Yes                         |
| Input Wires (White \ Black) | 14 AWG                      |
| Output Wires (Red \ Black)  | 18 AWG                      |
| Dimensions L*W*H            | 6.77" x 2.67" x 1.26"       |
| Weight                      | 16.75 oz                    |

— Output Voltage vs. Load

— Output Voltage With a Typical TRIAC Dimmer (on Max)



The specifications are subject to change without notice

# 60W 12V DC LED Driver



E465183

## 60W Voltage Dimmable Class 2 LED Driver

Product Code: E60L12DC-KO

Magnitude's E60L12DC-KO dimmable voltage LED driver is class 2 rated and designed to operate with any standard TRIAC dimmer switches. Encased in a low profile aluminum enclosure that includes 2 knock-outs to enable easy installation makes it the perfect choice for under cabinet lights, tape lights and various LED fixtures installations. Our electrical specification includes Auto Reset, over current and short circuit protection. Efficiency of 90% and higher allows the driver to operate at low temperatures.

## Features

Dimmable with any standard TRIAC dimmer switch  
Super compact ALUMINUM CASE.

Class 2

UL 8750

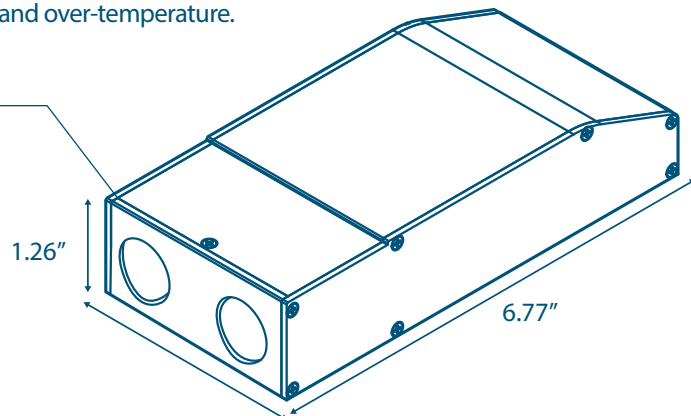
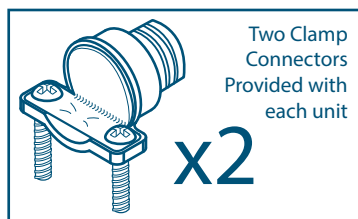
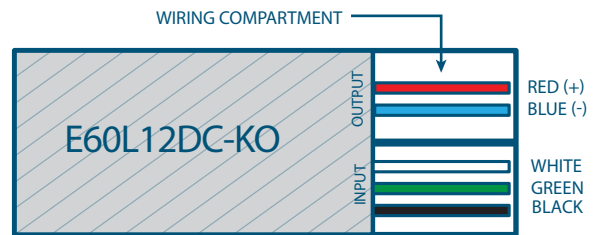
IP67

Withstands wet and salty conditions.

Auto-Reset Protection for short circuits, over-voltage and over-temperature.

FCC 15 part 2

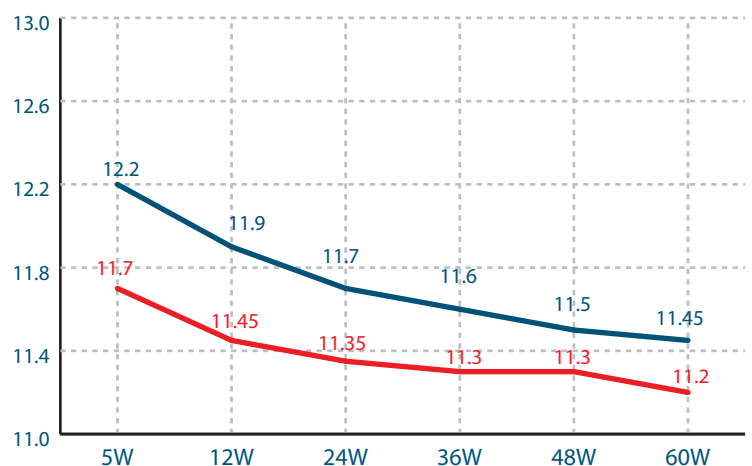
12V DC True RMS



## Specifications

|                             |                             |
|-----------------------------|-----------------------------|
| Max Load                    | 60W                         |
| Input Voltage               | 120V AC                     |
| Input Current at Max Load   | 0.61 A                      |
| Output Voltage              | 12V DC                      |
| Output Current at Max Load  | 5.26 A                      |
| Power Factor                | 0.95                        |
| Efficiency                  | > 90%                       |
| Operating Temp.             | -20°C - 70°C (-4°F - 158°F) |
| Short circuit protection    | Yes                         |
| Overcurrent                 | Yes                         |
| Over temperature            | Yes                         |
| Open circuit protection     | Yes                         |
| Input Wires (White \ Black) | 14 AWG                      |
| Output Wires (Red \ Black)  | 18 AWG                      |
| Dimensions L*W*H            | 6.77" x 2.67" x 1.26"       |
| Weight                      | 16.75 oz                    |

— Output Voltage vs. Load  
— Output Voltage With a Typical TRIAC Dimmer (on Max)



The specifications are subject to change without notice

# 40W 24V DC LED Driver



E465183

## 40W Voltage Dimmable Class 2 LED Driver

Product Code: E40L24DC-KO

Magnitude's E40L24DC-KO dimmable voltage LED driver is class 2 rated and designed to operate with any standard TRIAC dimmer switches. Encased in a low profile aluminum enclosure that includes 2 knock-outs to enable easy installation makes it the perfect choice for under cabinet lights, tape lights and various LED fixtures installations. Our electrical specification includes Auto Reset, over current and short circuit protection. Efficiency of 90% and higher allows the driver to operate at low temperatures.

## Features

Dimmable with any standard TRIAC dimmer switch

Super compact ALUMINUM CASE.

Class 2

UL 8750

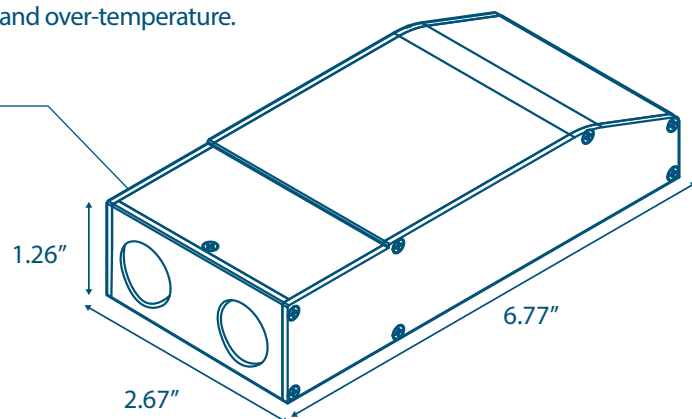
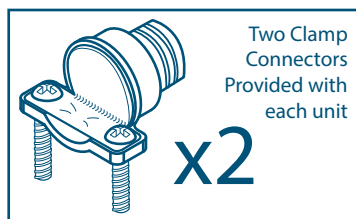
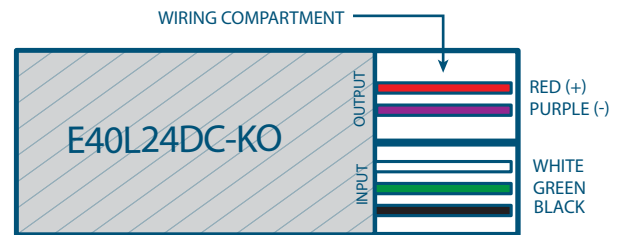
IP67

Withstands wet and salty conditions.

Auto-Reset Protection for short circuits, over-voltage and over-temperature.

FCC 15 part 2

24V DC True RMS

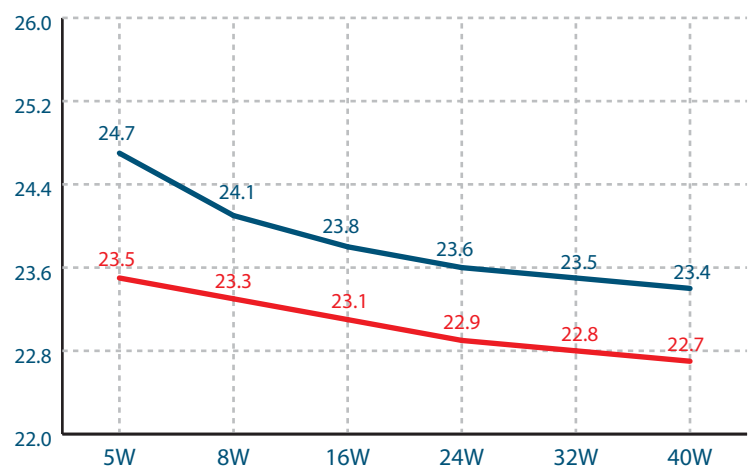


## Specifications

|                             |                             |
|-----------------------------|-----------------------------|
| Max Load                    | 40W                         |
| Input Voltage               | 120V AC                     |
| Input Current at Max Load   | 0.41 A                      |
| Output Voltage              | 24V DC                      |
| Output Current at Max Load  | 1.75 A                      |
| Power Factor                | 0.95                        |
| Efficiency                  | > 90%                       |
| Operating Temp.             | -20°C - 70°C (-4°F - 158°F) |
| Short circuit protection    | Yes                         |
| Overcurrent                 | Yes                         |
| Over temperature            | Yes                         |
| Open circuit protection     | Yes                         |
| Input Wires (White \ Black) | 14 AWG                      |
| Output Wires (Red \ Black)  | 18 AWG                      |
| Dimensions L*W*H            | 6.77" x 2.67" x 1.26"       |
| Weight                      | 16.75 oz                    |

— Output Voltage vs. Load

— Output Voltage With a Typical TRIAC Dimmer (on Max)



The specifications are subject to change without notice

# 60W 24V DC LED Driver



E465183

## 60W Voltage Dimmable Class 2 LED Driver

Product Code: E60L24DC-KO

Magnitude's E60L24DC-KO dimmable voltage LED driver is class 2 rated and designed to operate with any standard TRIAC dimmer switches. Encased in a low profile aluminum enclosure that includes 2 knock-outs to enable easy installation makes it the perfect choice for under cabinet lights, tape lights and various LED fixtures installations. Our electrical specification includes Auto Reset, over current and short circuit protection. Efficiency of 90% and higher allows the driver to operate at low temperatures.

## Features

Dimmable with any standard TRIAC dimmer switch  
Super compact ALUMINUM CASE.

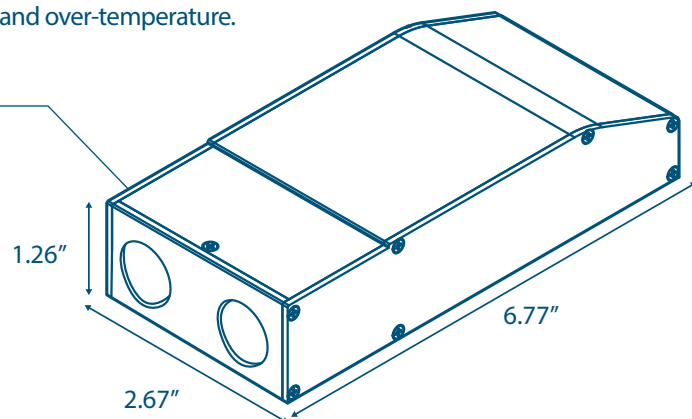
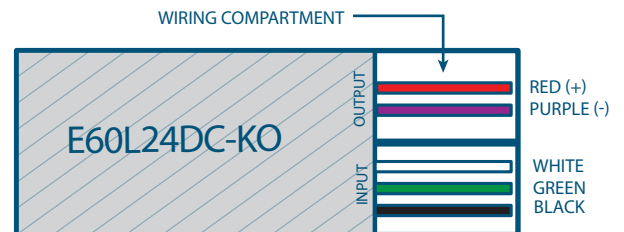
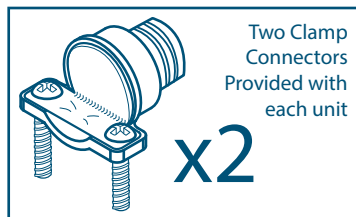
Class 2  
UL 8750  
IP67

Withstands wet and salty conditions.

Auto-Reset Protection for short circuits, over-voltage and over-temperature.

FCC 15 part 2

24V DC True RMS

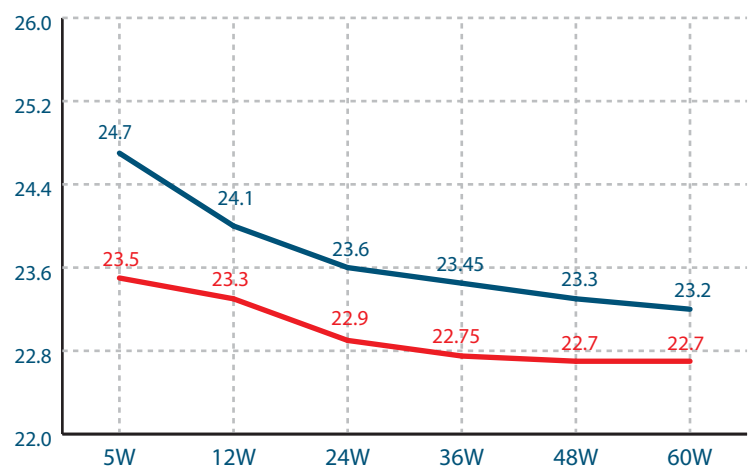


## Specifications

|                             |                             |
|-----------------------------|-----------------------------|
| Max Load                    | 60W                         |
| Input Voltage               | 120V AC                     |
| Input Current at Max Load   | 0.61 A                      |
| Output Voltage              | 24V DC                      |
| Output Current at Max Load  | 2.63 A                      |
| Power Factor                | 0.95                        |
| Efficiency                  | > 90%                       |
| Operating Temp.             | -20°C - 70°C (-4°F - 158°F) |
| Short circuit protection    | Yes                         |
| Overcurrent                 | Yes                         |
| Over temperature            | Yes                         |
| Open circuit protection     | Yes                         |
| Input Wires (White \ Black) | 14 AWG                      |
| Output Wires (Red \ Black)  | 18 AWG                      |
| Dimensions L*W*H            | 6.77" x 2.67" x 1.26"       |
| Weight                      | 16.75 oz                    |

— Output Voltage vs. Load

— Output Voltage With a Typical TRIAC Dimmer (on Max)



The specifications are subject to change without notice

# 75W 24V DC LED Driver



E465183



## 75W Voltage Dimmable Class 2 LED Driver

Product Code: E75L24DC-KO

Magnitude's E75L24DC-KO dimmable voltage LED driver is class 2 rated and designed to operate with any standard TRIAC dimmer switches. Encased in a low profile aluminum enclosure that includes 2 knock-outs to enable easy installation makes it the perfect choice for under cabinet lights, tape lights and various LED fixtures installations. Our electrical specification includes Auto Reset, over current and short circuit protection. Efficiency of 90% and higher allows the driver to operate at low temperatures.

## Features

Dimmable with any standard TRIAC dimmer switch

Super compact ALUMINUM CASE.

Class 2

UL 8750

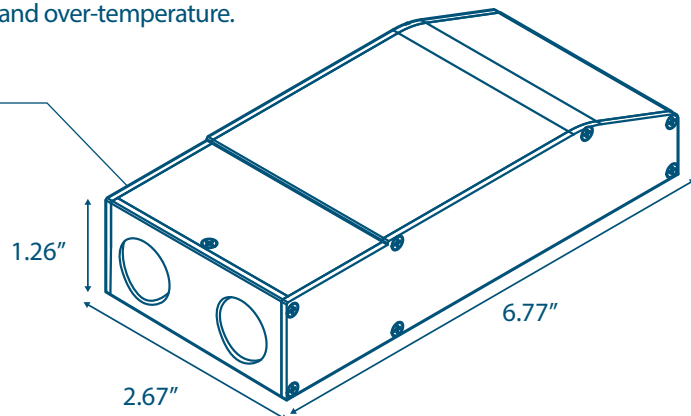
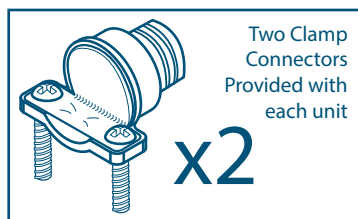
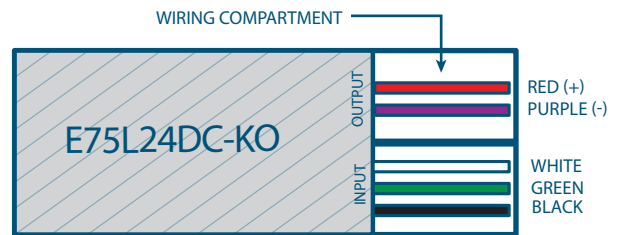
IP67

Withstands wet and salty conditions.

Auto-Reset Protection for short circuits, over-voltage and over-temperature.

FCC 15 part 2

24V DC True RMS

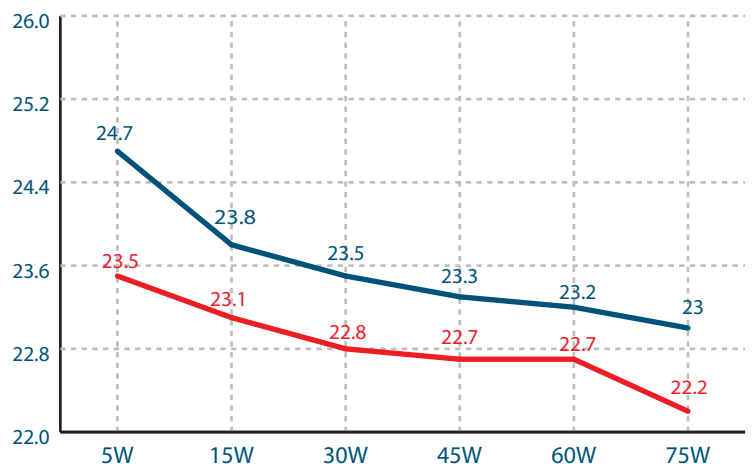


## Specifications

|                             |                             |
|-----------------------------|-----------------------------|
| Max Load                    | 75W                         |
| Input Voltage               | 120V AC                     |
| Input Current at Max Load   | 0.77 A                      |
| Output Voltage              | 24V DC                      |
| Output Current at Max Load  | 3.3 A                       |
| Power Factor                | 0.95                        |
| Efficiency                  | > 90%                       |
| Operating Temp.             | -20°C - 70°C (-4°F - 158°F) |
| Short circuit protection    | Yes                         |
| Overcurrent                 | Yes                         |
| Over temperature            | Yes                         |
| Open circuit protection     | Yes                         |
| Input Wires (White \ Black) | 14 AWG                      |
| Output Wires (Red \ Black)  | 18 AWG                      |
| Dimensions L*W*H            | 6.77" x 2.67" x 1.26"       |
| Weight                      | 16.75 oz                    |

— Output Voltage vs. Load

— Output Voltage With a Typical TRIAC Dimmer (on Max)



The specifications are subject to change without notice

# 96W 24V DC LED Driver



E465183



## 96W Voltage Dimmable Class 2 LED Driver

Product Code: E96L24DC-KO

Magnitude's E96L24DC-KO dimmable voltage LED driver is class 2 rated and designed to operate with any standard TRIAC dimmer switches. Encased in a low profile aluminum enclosure that includes 2 knock-outs to enable easy installation makes it the perfect choice for under cabinet lights, tape lights and various LED fixtures installations. Our electrical specification includes Auto Reset, over current and short circuit protection. Efficiency of 90% and higher allows the driver to operate at low temperatures.

## Features

Dimmable with any standard TRIAC dimmer switch  
Super compact ALUMINUM CASE.

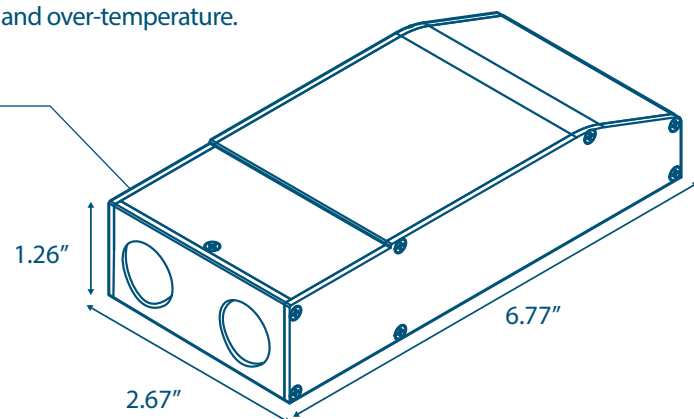
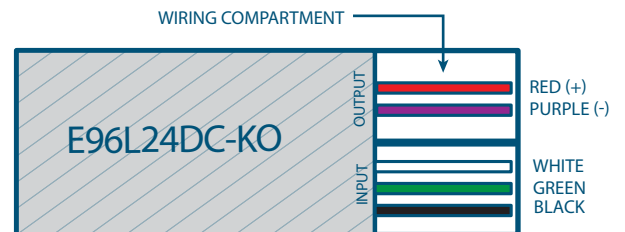
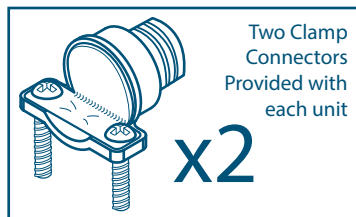
Class 2  
UL 8750  
IP67

Withstands wet and salty conditions.

Auto-Reset Protection for short circuits, over-voltage and over-temperature.

FCC 15 part 2

24V DC True RMS

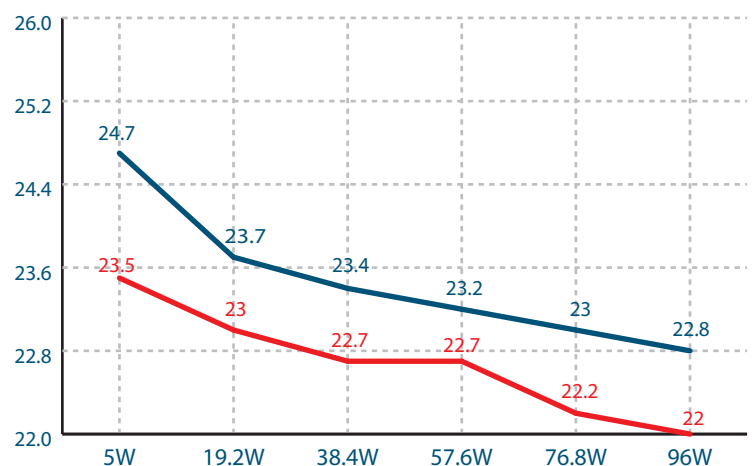


## Specifications

|                             |                             |
|-----------------------------|-----------------------------|
| Max Load                    | 96W                         |
| Input Voltage               | 120V AC                     |
| Input Current at Max Load   | 1 A                         |
| Output Voltage              | 24V DC                      |
| Output Current at Max Load  | 4.2 A                       |
| Power Factor                | 0.95                        |
| Efficiency                  | > 90%                       |
| Operating Temp.             | -20°C - 70°C (-4°F - 158°F) |
| Short circuit protection    | Yes                         |
| Overcurrent                 | Yes                         |
| Over temperature            | Yes                         |
| Open circuit protection     | Yes                         |
| Input Wires (White \ Black) | 14 AWG                      |
| Output Wires (Red \ Black)  | 18 AWG                      |
| Dimensions L*W*H            | 6.77" x 2.67" x 1.26"       |
| Weight                      | 16.75 oz                    |

— Output Voltage vs. Load

— Output Voltage With a Typical TRIAC Dimmer (on Max)



The specifications are subject to change without notice



UL RECOGNIZED

CRA<sup>®</sup> US

# 40W 12V DC LED Driver



40W Voltage Dimmable Class 2 LED Driver

Product Code: E40R12DC

Magnitude's E40R12DC dimmable voltage LED driver is class 2 rated and designed to operate with any standard TRIAC dimmer switches. The driver's low profile aluminum case makes it the perfect choice for under cabinet lights, tape lights and various LED fixtures installations. Our electrical specification includes Auto Reset, over current and short circuit protection. Efficiency of 90% and higher allows the driver to operate at low temperatures.

## Features

Dimmable with any standard TRIAC dimmer switches  
Super compact ALUMINUM CASE.

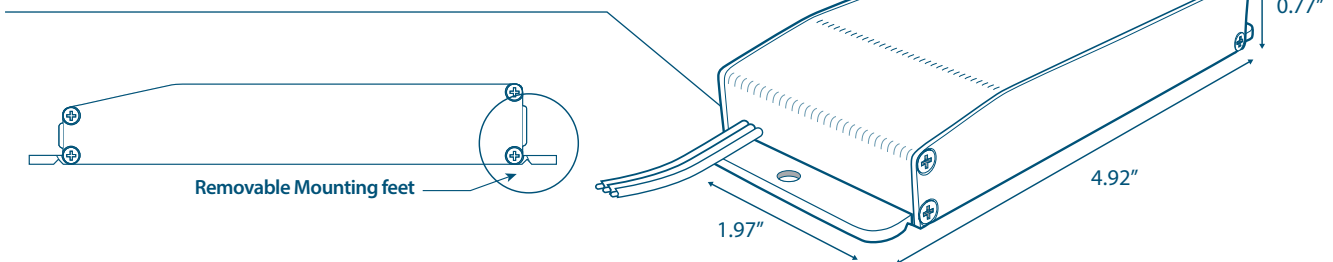
Class 2  
UL 8750  
IP67

Withstands wet and salty conditions.

Auto-Reset Protection for short circuits, over-voltage and over-temperature.

FCC 15 part 2

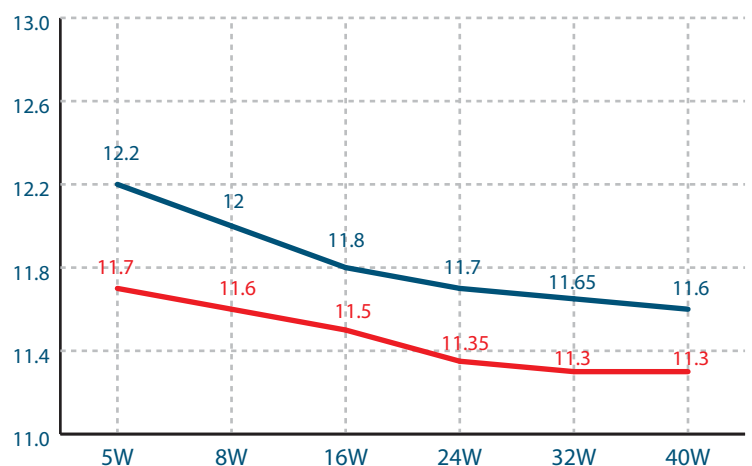
12V DC True RMS



## Specifications

|                             |                             |
|-----------------------------|-----------------------------|
| Max Load                    | 40W                         |
| Input Voltage               | 120V AC                     |
| Input Current at Max Load   | 0.41 A                      |
| Output Voltage              | 12V DC                      |
| Output Current at Max Load  | 3.5 A                       |
| Power Factor                | 0.95                        |
| Efficiency                  | > 90%                       |
| Operating Temp.             | -20°C - 70°C (-4°F - 158°F) |
| Short circuit protection    | Yes                         |
| Overcurrent                 | Yes                         |
| Over temperature            | Yes                         |
| Open circuit protection     | Yes                         |
| Input Wires (White \ Black) | 14 AWG                      |
| Output Wires (Red \ Black)  | 18 AWG                      |
| Dimensions L*W*H            | 4.92" x 1.97" x 0.77"       |
| Weight                      | 9 oz                        |

— Output Voltage vs. Load  
— Output Voltage With a Typical TRIAC Dimmer (on Max)



The specifications are subject to change without notice

# 60W 12V DC LED Driver



60W Voltage Dimmable Class 2 LED Driver

Product Code: E60R12DC

Magnitude's E60R12DC dimmable voltage LED driver is class 2 rated and designed to operate with any standard TRIAC dimmer switches. The driver's low profile aluminum case makes it the perfect choice for under cabinet lights, tape lights and various LED fixtures installations. Our electrical specification includes Auto Reset, over current and short circuit protection. Efficiency of 90% and higher allows the driver to operate at low temperatures.

## Features

Dimmable with any standard TRIAC dimmer switches  
 Super compact ALUMINUM CASE.

Class 2

UL 8750

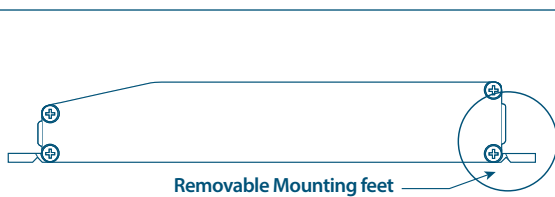
IP67

Withstands wet and salty conditions.

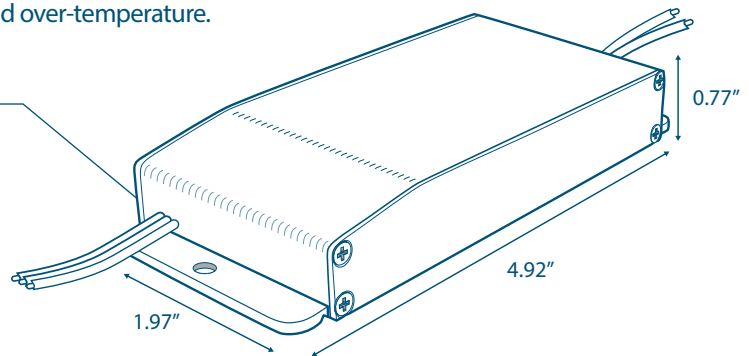
Auto-Reset Protection for short circuits, over-voltage and over-temperature.

FCC 15 part 2

12V DC True RMS



Removable Mounting feet

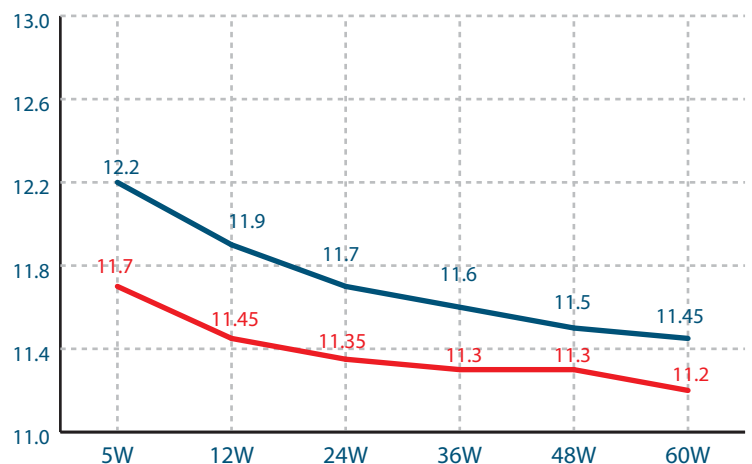


## Specifications

|                             |                             |
|-----------------------------|-----------------------------|
| Max Load                    | 60W                         |
| Input Voltage               | 120V AC                     |
| Input Current at Max Load   | 0.61 A                      |
| Output Voltage              | 12V DC                      |
| Output Current at Max Load  | 5.26 A                      |
| Power Factor                | 0.95                        |
| Efficiency                  | > 90%                       |
| Operating Temp.             | -20°C - 70°C (-4°F - 158°F) |
| Short circuit protection    | Yes                         |
| Overcurrent                 | Yes                         |
| Over temperature            | Yes                         |
| Open circuit protection     | Yes                         |
| Input Wires (White \ Black) | 14 AWG                      |
| Output Wires (Red \ Black)  | 18 AWG                      |
| Dimensions L*W*H            | 4.92" x 1.97" x 0.77"       |
| Weight                      | 9 oz                        |

— Output Voltage vs. Load

— Output Voltage With a Typical TRIAC Dimmer (on Max)



The specifications are subject to change without notice

# 40W 24V DC LED Driver



40W Voltage Dimmable Class 2 LED Driver

Product Code: E40R24DC

Magnitude's E40R24DC dimmable voltage LED driver is class 2 rated and designed to operate with any standard TRIAC dimmer switches. The driver's low profile aluminum case makes it the perfect choice for under cabinet lights, tape lights and various LED fixtures installations. Our electrical specification includes Auto Reset, over current and short circuit protection. Efficiency of 90% and higher allows the driver to operate at low temperatures.

## Features

Dimmable with any standard TRIAC dimmer switches  
Super compact ALUMINUM CASE.

Class 2

UL 8750

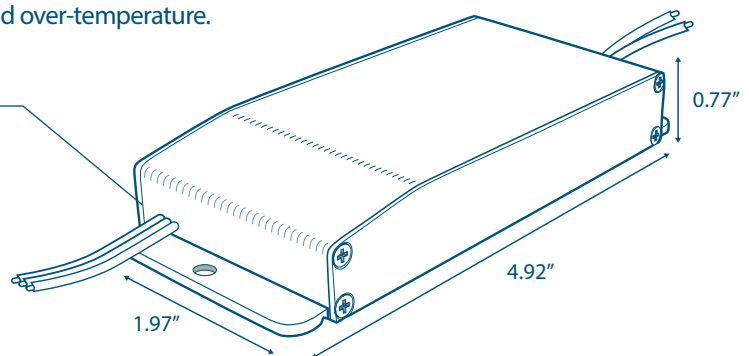
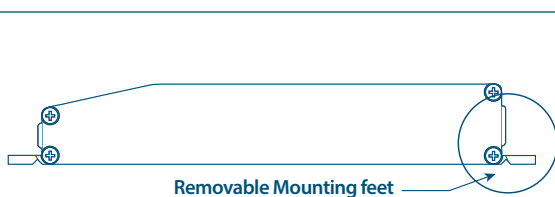
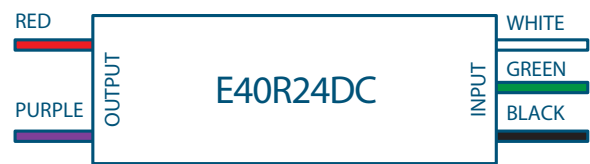
IP67

Withstands wet and salty conditions.

Auto-Reset Protection for short circuits, over-voltage and over-temperature.

FCC 15 part 2

24V DC True RMS

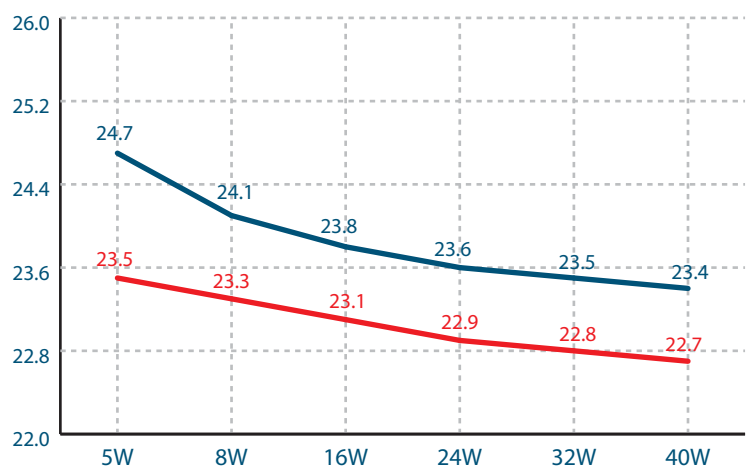


## Specifications

|                             |                             |
|-----------------------------|-----------------------------|
| Max Load                    | 40W                         |
| Input Voltage               | 120V AC                     |
| Input Current at Max Load   | 0.41 A                      |
| Output Voltage              | 24V DC                      |
| Output Current at Max Load  | 1.75 A                      |
| Power Factor                | 0.95                        |
| Efficiency                  | > 90%                       |
| Operating Temp.             | -20°C - 70°C (-4°F - 158°F) |
| Short circuit protection    | Yes                         |
| Overcurrent                 | Yes                         |
| Over temperature            | Yes                         |
| Open circuit protection     | Yes                         |
| Input Wires (White \ Black) | 14 AWG                      |
| Output Wires (Red \ Black)  | 18 AWG                      |
| Dimensions L*W*H            | 4.92" x 1.97" x 0.77"       |
| Weight                      | 9 oz                        |

— Output Voltage vs. Load

— Output Voltage With a Typical TRIAC Dimmer (on Max)



The specifications are subject to change without notice

# 60W 24V DC LED Driver



60W Voltage Dimmable Class 2 LED Driver

Product Code: E60R24DC

Magnitude's E60R24DC dimmable voltage LED driver is class 2 rated and designed to operate with any standard TRIAC dimmer switches. The driver's low profile aluminum case makes it the perfect choice for under cabinet lights, tape lights and various LED fixtures installations. Our electrical specification includes Auto Reset, over current and short circuit protection. Efficiency of 90% and higher allows the driver to operate at low temperatures.

## Features

Dimmable with any standard TRIAC dimmer switches  
Super compact ALUMINUM CASE.

Class 2

UL 8750

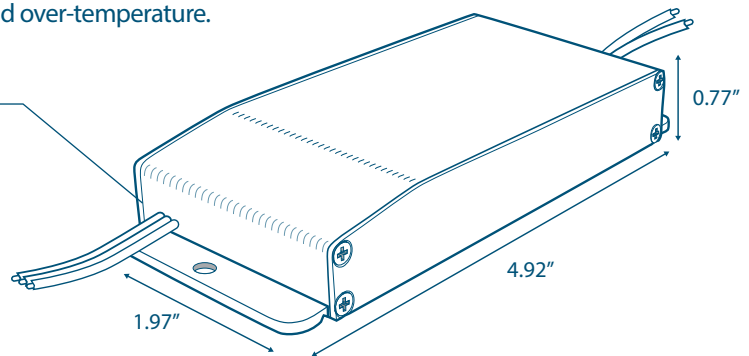
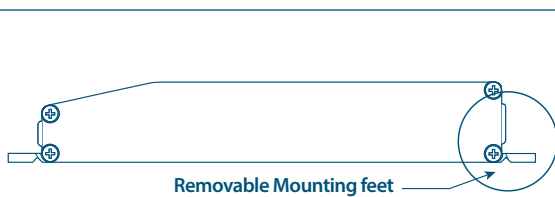
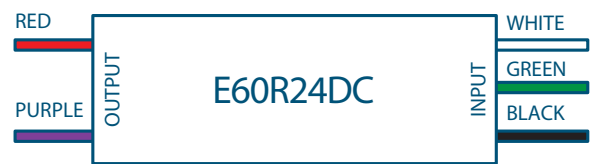
IP67

Withstands wet and salty conditions.

Auto-Reset Protection for short circuits, over-voltage and over-temperature.

FCC 15 part 2

24V DC True RMS

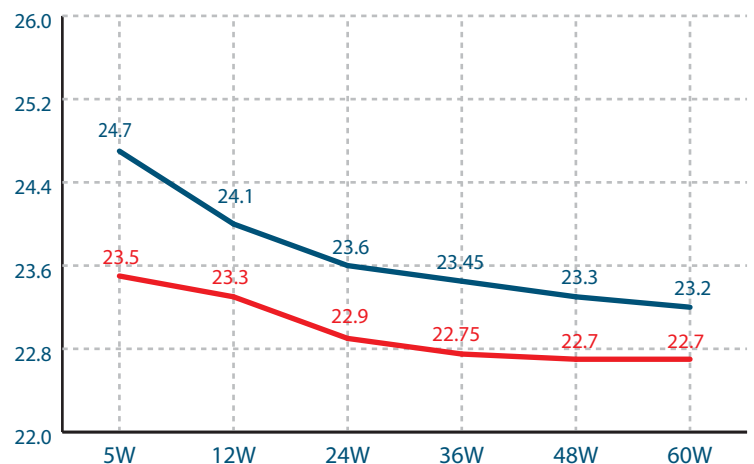


## Specifications

|                             |                             |
|-----------------------------|-----------------------------|
| Max Load                    | 60W                         |
| Input Voltage               | 120V AC                     |
| Input Current at Max Load   | 0.61 A                      |
| Output Voltage              | 24V DC                      |
| Output Current at Max Load  | 2.63 A                      |
| Power Factor                | 0.95                        |
| Efficiency                  | > 90%                       |
| Operating Temp.             | -20°C - 70°C (-4°F - 158°F) |
| Short circuit protection    | Yes                         |
| Overcurrent                 | Yes                         |
| Over temperature            | Yes                         |
| Open circuit protection     | Yes                         |
| Input Wires (White \ Black) | 14 AWG                      |
| Output Wires (Red \ Black)  | 18 AWG                      |
| Dimensions L*W*H            | 4.92" x 1.97" x 0.77"       |
| Weight                      | 9 oz                        |

— Output Voltage vs. Load

— Output Voltage With a Typical TRIAC Dimmer (on Max)



The specifications are subject to change without notice

# 75W 24V DC LED Driver


**75W Voltage Dimmable Class 2 LED Driver**

Product Code: E75R24DC

Magnitude's E75R24DC dimmable voltage LED driver is class 2 rated and designed to operate with any standard TRIAC dimmer switches. The driver's low profile aluminum case makes it the perfect choice for under cabinet lights, tape lights and various LED fixtures installations. Our electrical specification includes Auto Reset, over current and short circuit protection. Efficiency of 90% and higher allows the driver to operate at low temperatures.

## Features

Dimmable with any standard TRIAC dimmer switches  
 Super compact ALUMINUM CASE.

Class 2

UL 8750

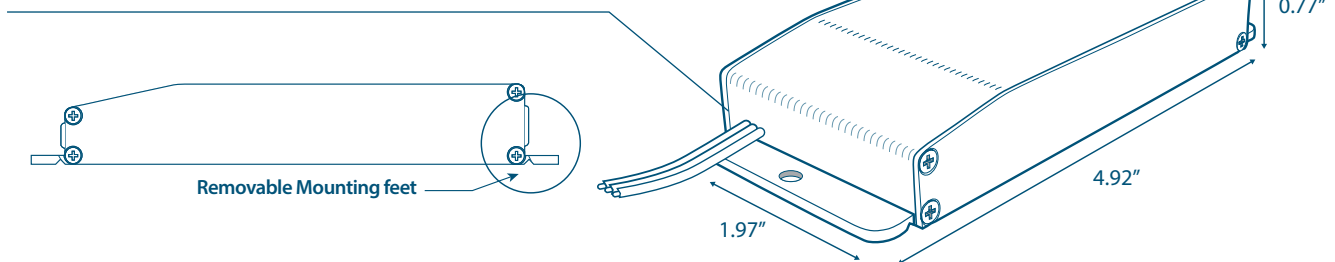
IP67

Withstands wet and salty conditions.

Auto-Reset Protection for short circuits, over-voltage and over-temperature.

FCC 15 part 2

24V DC True RMS

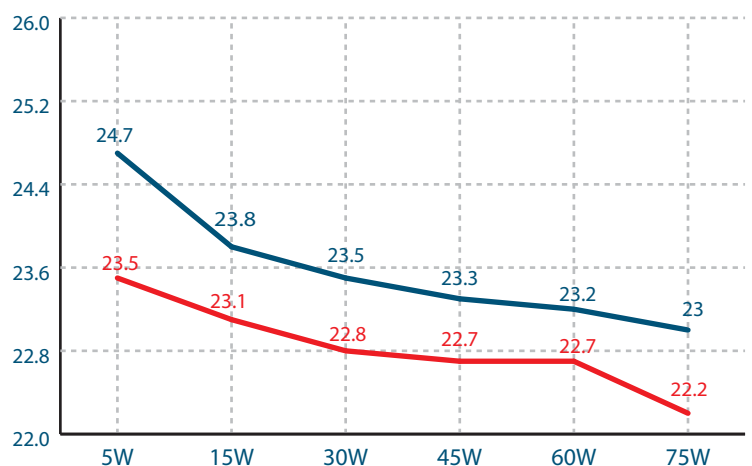


## Specifications

|                             |                             |
|-----------------------------|-----------------------------|
| Max Load                    | 75W                         |
| Input Voltage               | 120V AC                     |
| Input Current at Max Load   | 0.77 A                      |
| Output Voltage              | 24V DC                      |
| Output Current at Max Load  | 3.3 A                       |
| Power Factor                | 0.95                        |
| Efficiency                  | > 90%                       |
| Operating Temp.             | -20°C - 70°C (-4°F - 158°F) |
| Short circuit protection    | Yes                         |
| Overcurrent                 | Yes                         |
| Over temperature            | Yes                         |
| Open circuit protection     | Yes                         |
| Input Wires (White \ Black) | 14 AWG                      |
| Output Wires (Red \ Black)  | 18 AWG                      |
| Dimensions L*W*H            | 4.92" x 1.97" x 0.77"       |
| Weight                      | 9 oz                        |

— Output Voltage vs. Load

— Output Voltage With a Typical TRIAC Dimmer (on Max)



The specifications are subject to change without notice

# 96W 24V DC LED Driver


**96W Voltage Dimmable Class 2 LED Driver**

Product Code: E96R24DC

Magnitude's E96R24DC dimmable voltage LED driver is class 2 rated and designed to operate with any standard TRIAC dimmer switches. The driver's low profile aluminum case makes it the perfect choice for under cabinet lights, tape lights and various LED fixtures installations. Our electrical specification includes Auto Reset, over current and short circuit protection. Efficiency of 90% and higher allows the driver to operate at low temperatures.

## Features

Dimmable with any standard TRIAC dimmer switches  
 Super compact ALUMINUM CASE.

Class 2

UL 8750

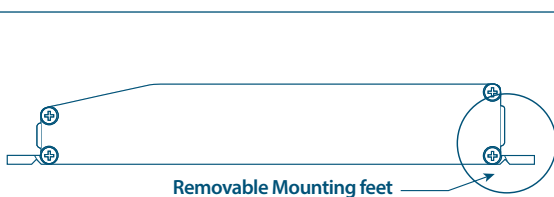
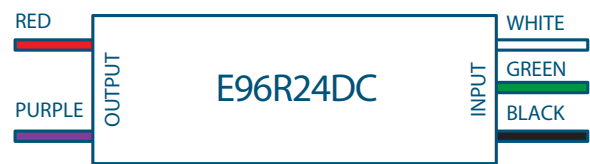
IP67

Withstands wet and salty conditions.

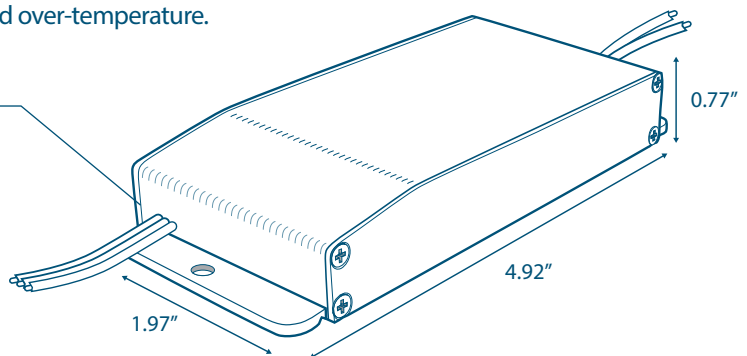
Auto-Reset Protection for short circuits, over-voltage and over-temperature.

FCC 15 part 2

24V DC True RMS



Removable Mounting feet

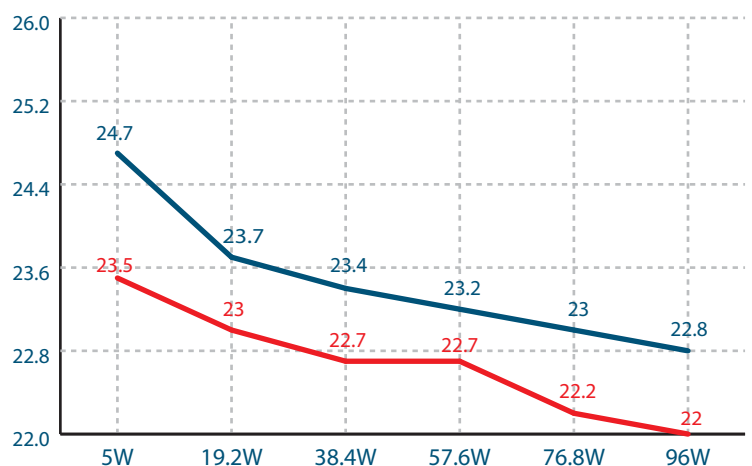


## Specifications

|                             |                             |
|-----------------------------|-----------------------------|
| Max Load                    | 96W                         |
| Input Voltage               | 120V AC                     |
| Input Current at Max Load   | 1 A                         |
| Output Voltage              | 24V DC                      |
| Output Current at Max Load  | 4.2 A                       |
| Power Factor                | 0.95                        |
| Efficiency                  | > 90%                       |
| Operating Temp.             | -20°C - 70°C (-4°F - 158°F) |
| Short circuit protection    | Yes                         |
| Overcurrent                 | Yes                         |
| Over temperature            | Yes                         |
| Open circuit protection     | Yes                         |
| Input Wires (White \ Black) | 14 AWG                      |
| Output Wires (Red \ Black)  | 18 AWG                      |
| Dimensions L*W*H            | 4.92" x 1.97" x 0.77"       |
| Weight                      | 9 oz                        |

Output Voltage vs. Load

Output Voltage With a Typical TRIAC Dimmer (on Max)



The specifications are subject to change without notice