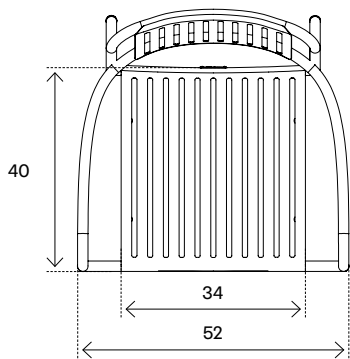
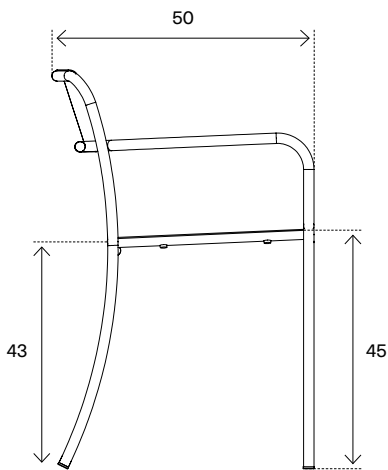
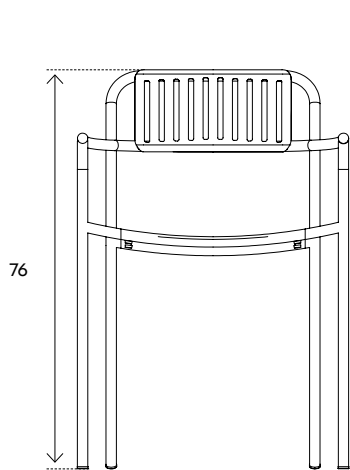


**TOLIX STEEL DESIGN S.A.S.**

PATIO SLATTED ARMCHAIR  
[ed. 2024]

PARC D'ACTIVITÉS SAINT-ANDOCHE 18, BOULEVARD BERNARD GIBERSTEIN  
71400 AUTUN FRANCE SALES@TOLIX.COM +33 (0)3 85 86 96 67  
WWW.TOLIX.COM @TOLIXSTEELDESIGN

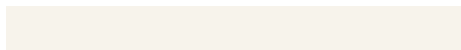




# PATIO SLATTED ARMCHAIR

designer:	Pauline Deltour	creation:	2020
guarantee:	two years	fabrication:	handmade in Autun, France
dimensions:	W.52 <sup>[CM]</sup> D.50 <sup>[CM]</sup> H.76 <sup>[CM]</sup>	material:	stainless steel   steel
seat:	W.34 <sup>[CM]</sup> D.40 <sup>[CM]</sup> H.45 <sup>[CM]</sup>	finition:	color   galva
weight*:	5.0 <sup>[KG]</sup>	use:	outdoor
highlights:	stackable up to 4 units	assembly:	assembled

Pure White <sup>[RAL\_9010]</sup>



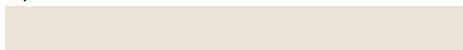
Grey Beige <sup>[RAL\_1019]</sup>



Moss Green <sup>[RAL\_6005]</sup>



Oyster White <sup>[RAL\_1013]</sup>



Reed Green <sup>[RAL\_6013]</sup>



Galva



\*galva weight 6<sup>[KG]</sup>