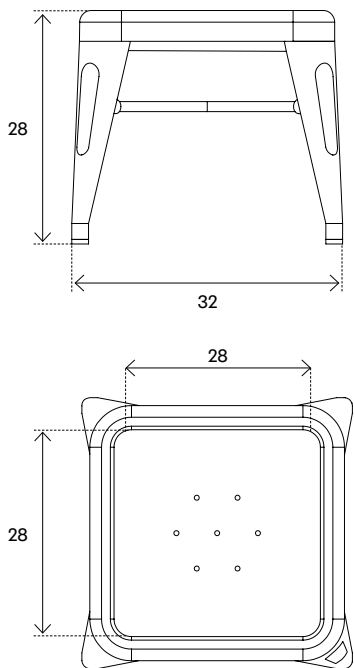


TOLIX STEEL DESIGN S.A.S.

MOUETTE KIDS STOOL
[ed. 2023]

PARC D'ACTIVITÉS SAINT-ANDOCHE 18, BOULEVARD BERNARD GIBERSTEIN
71400 AUTUN FRANCE SALES@TOLIX.COM +33 (0)3 85 86 96 67
WWW.TOLIX.COM @TOLIXSTEELDESIGN





MOUETTE KIDS STOOL

designer:	Studio Tolix	creation:	2023
guarantee:	two years	fabrication:	handmade in Autun, France
dimensions:	W.32 [CM] D.32 [CM] H.28 [CM]	material:	steel
seat:	W.28 [CM] D.28 [CM] H.28 [CM]	finition:	varnished raw steel color
weight:	2.1 [KG]	use:	indoor
highlight:	stackable up to 8 units	assembly:	assembled
Pure White [RAL_9010]		Varnished raw steel	