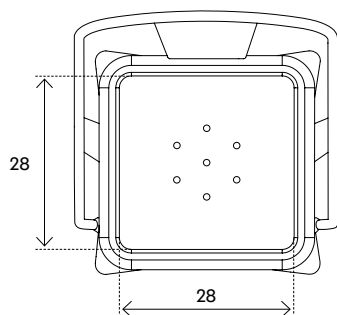
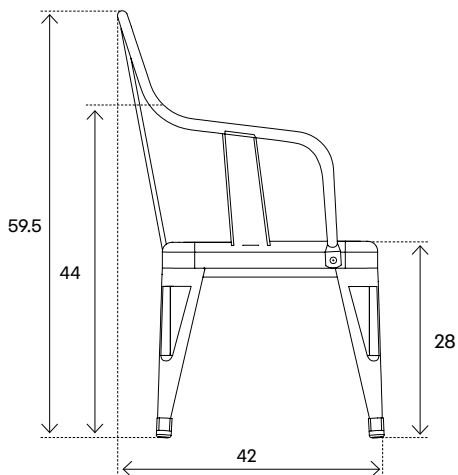
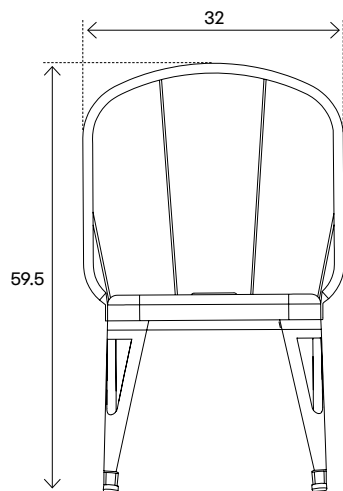


TOLIX STEEL DESIGN S.A.S.

MOUETTE KIDS ARMCHAIR
[ed. 2023]

PARC D'ACTIVITÉS SAINT-ANDOCHE 18, BOULEVARD BERNARD GIBERSTEIN
71400 AUTUN FRANCE SALES@TOLIX.COM +33 (0)3 85 86 96 67
WWW.TOLIX.COM @TOLIXSTEELDESIGN





MOUETTE KIDS ARMCHAIR

designer:	Xavier Pauchard	creation:	1935
guarantee:	two years	fabrication:	handmade in Autun, France
dimensions:	W.32 [CM] D.42 [CM] H.59.5 [CM]	material:	steel
seat:	W.28 [CM] D.28 [CM] H.28 [CM]	finition:	varnished raw steel color
armrests:	W.25 [CM] H.44 [CM]	use:	indoor
weight:	3.1 [KG]	assembly:	assembled
highlight:	stackable up to 8 units		

Pure White [RAL_9010]

Varnished raw steel