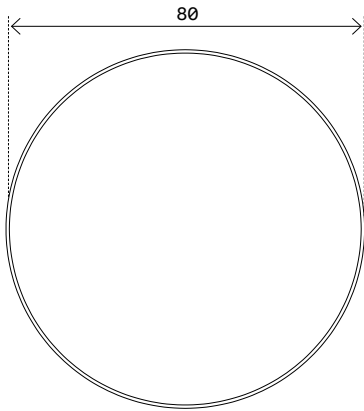
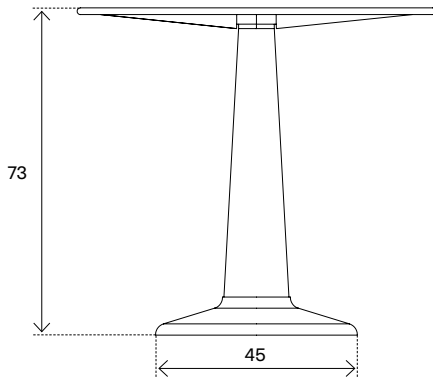


G TABLE
[ed. 2023]





G TABLE

designer:	Xavier Pauchard	creation:	1931
guarantee:	two years	fabrication:	handmade in Autun, France
dimensions:	D.80 ^[CM] H.73 ^[CM] [4 people]	material:	steel
weight:	16.0 ^[KG]	finition:	varnished raw steel color
highlight:	non-stackable	use:	indoor
assembly:	to assemble		

Pure White ^[RAL_9010]



Varnished raw steel

