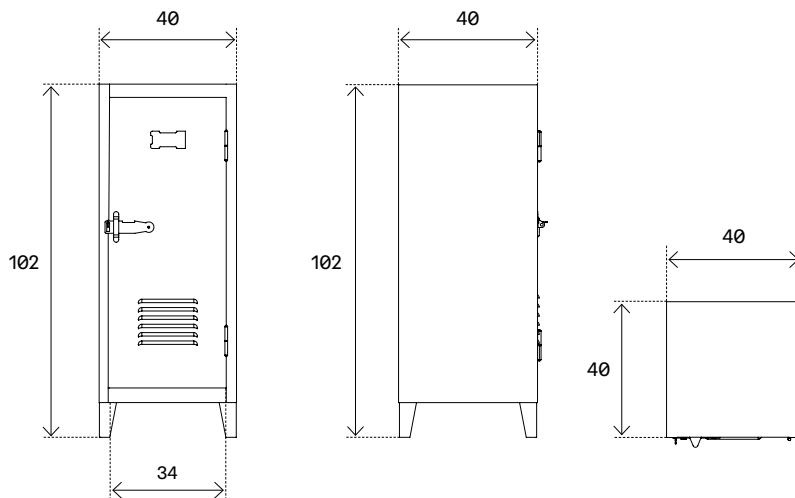


B1 LOCKER STORAGE
[ed. 2023]





B1 LOCKER STORAGE

designer:	Studio Tolix	creation:	2008
guarantee:	two years	fabrication:	handmade in Autun, France
dimensions ^[OUT] :	W.40 ^[CM] D.40 ^[CM] H.102 ^[CM]	material:	steel
dimensions ^[IN] :	W.34 ^[CM] D.37.5 ^[CM] H.83.3 ^[CM]	finition:	varnished raw steel color
weight:	21,0 ^[KG]	use:	indoor
highlight:	non-stackable	accessories:	2 small modular shelves*
assembly:	to assemble		

Pure White ^[RAL_9010]



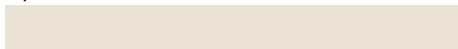
Brown Black ^[RAL_8022]



Varnished raw steel



Oyster White ^[RAL_1013]



Jet Black ^[RAL_9005]



*shelves can be added in sets of x2 or x4