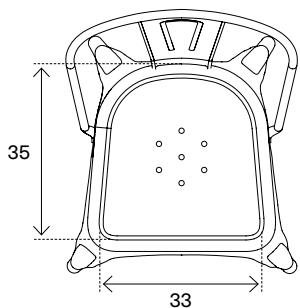
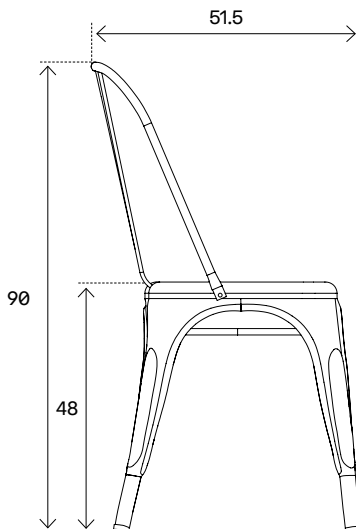
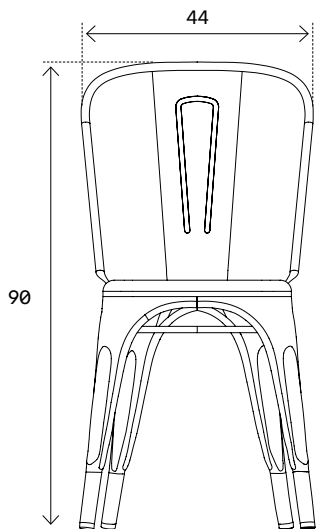


**TOLIX STEEL DESIGN S.A.S.**

**A+ CHAIR**  
[ed. 2023]

PARC D'ACTIVITÉS SAINT-ANDOCHE 18, BOULEVARD BERNARD GIBERSTEIN  
71400 AUTUN FRANCE SALES@TOLIX.COM +33 (0)3 85 86 96 67  
WWW.TOLIX.COM @TOLIXSTEELDESIGN





# A+ CHAIR

designer:	Studio Tolix	creation:	2018
guarantee:	two years	fabrication:	handmade in Autun, France
dimensions:	W.44 [CM] D.51.5 [CM] H.90 [CM]	material:	steel
seat:	W.33 [CM] D.35 [CM] H.48 [CM]	finition:	varnished raw steel   color
weight:	5.0 [KG]	use:	indoor
highlight:	stackable up to 8 units	assembly:	assembled
Pure White [RAL_9010]		Varnished raw steel	