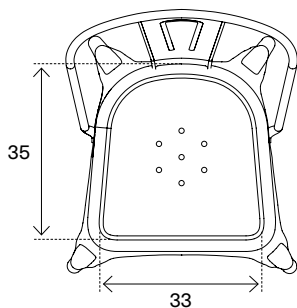
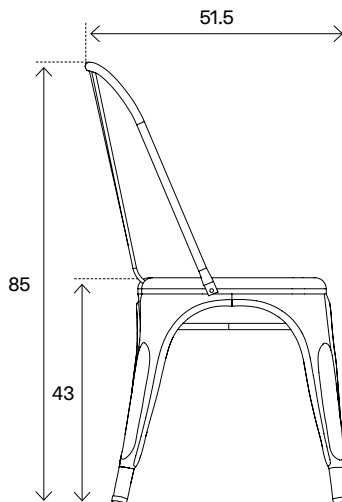
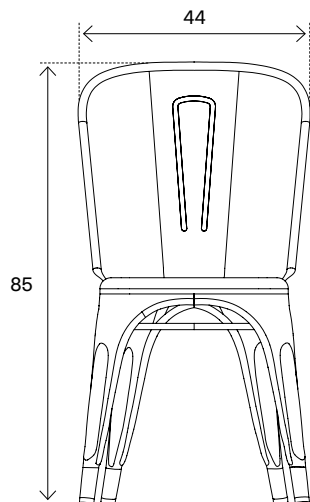


**TOLIX STEEL DESIGN S.A.S.**

A CHAIR  
[ed. 2023]

PARC D'ACTIVITÉS SAINT-ANDOCHE 18, BOULEVARD BERNARD GIBERSTEIN  
71400 AUTUN FRANCE SALES@TOLIX.COM +33 (0)3 85 86 96 67  
WWW.TOLIX.COM @TOLIXSTEELDESIGN





# A CHAIR

designer:	Xavier Pauchard	creation:	1935
guarantee:	two years	fabrication:	handmade in Autun, France
dimensions:	W.44 [CM] D.51.5 [CM] H.85 [CM]	material:	steel
seat:	W.33 [CM] D.35 [CM] H.43 [CM]	finition:	varnished raw steel   color
weight:	4.5 [KG]	use:	indoor
highlight:	stackable up to 8 units	assembly:	assembled
Pure White [RAL_9010]		Varnished raw steel	

