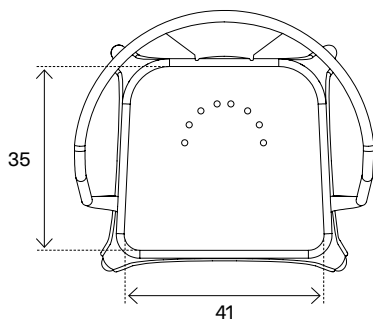
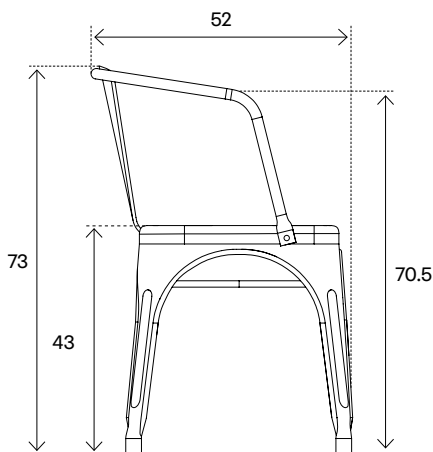
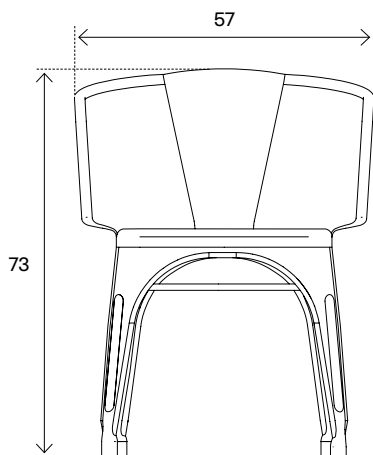


**TOLIX STEEL DESIGN S.A.S.**

**AC16 ARMCHAIR**  
[ed. 2023]

PARC D'ACTIVITÉS SAINT-ANDOCHE 18, BOULEVARD BERNARD GIBERSTEIN  
71400 AUTUN FRANCE SALES@TOLIX.COM +33 (0)3 85 86 96 67  
WWW.TOLIX.COM @TOLIXSTEELDESIGN





# AC16 ARMCHAIR

designer:	Studio Tolix	creation:	2016
guarantee:	two years	fabrication:	handmade in Autun, France
dimensions:	W.57 [CM] D.52 [CM] H.73 [CM]	material:	steel
seat:	W.41 [CM] D.35 [CM] H.43 [CM]	finition:	varnished raw steel   color
armrests:	H.70.5 [CM]	use:	indoor
weight:	5.0 [KG]	assembly:	assembled
highlight:	stackable up to 8 units		

Pure White [RAL\_9010]

Varnished raw steel

