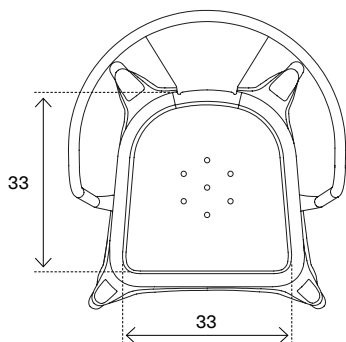
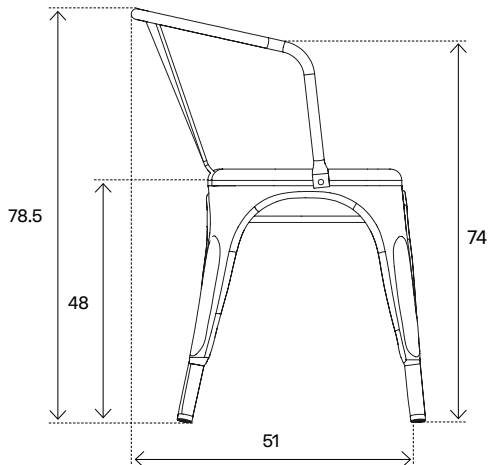
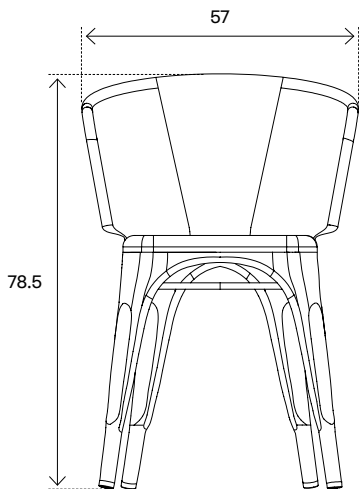


TOLIX STEEL DESIGN S.A.S.

A56+ CHAIR
[ed. 2023]

PARC D'ACTIVITÉS SAINT-ANDOCHE 18, BOULEVARD BERNARD GIBERSTEIN
71400 AUTUN FRANCE SALES@TOLIX.COM +33 (0)3 85 86 96 67
WWW.TOLIX.COM @TOLIXSTEELDESIGN





A56+ ARMCHAIR

designer:	Studio Tolix	creation:	2018
guarantee:	two years	fabrication:	handmade in Autun, France
dimensions:	W.57 [CM] D.51 [CM] H.78.5 [CM]	material:	steel
seat:	W.33 [CM] D.33 [CM] H.48 [CM]	finition:	varnished raw steel color
armrests:	H.74 [CM]	use:	indoor
weight:	5.0 [KG]	assembly:	assembled
highlight:	stackable up to 8 units		

Pure White [RAL_9010]

Varnished raw steel

