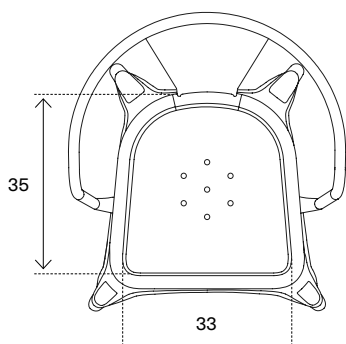
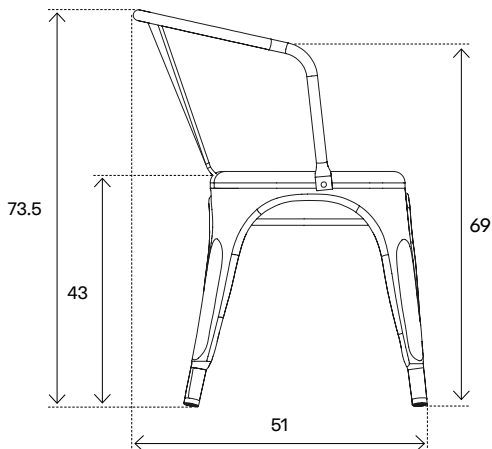
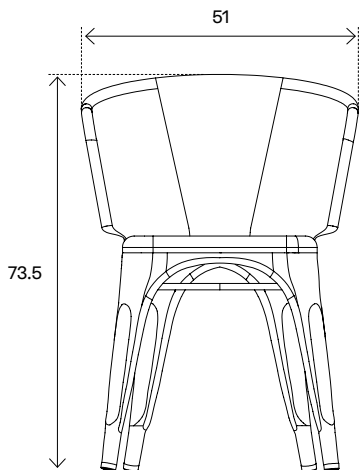


A56 ARMCHAIR
[ed. 2023]

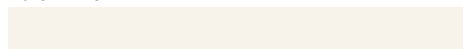




A56 ARMCHAIR

designer:	Jean Pauchard	creation:	1956
guarantee:	two years	fabrication:	handmade in Autun, France
dimensions:	W.51 ^[CM] D.51 ^[CM] H.73.5 ^[CM]	material:	steel
seat:	W.33 ^[CM] D.35 ^[CM] H.43 ^[CM]	finition:	varnished raw steel color
armrests:	H.69 ^[CM]	use:	indoor
weight:	4.5 ^[KG]	assembly:	assembled
highlight:	stackable up to 8 units		

Pure White ^[RAL_9010]



Varnished raw steel

