



PRODUCT GUIDE :

Hideaway Sleeping Platform

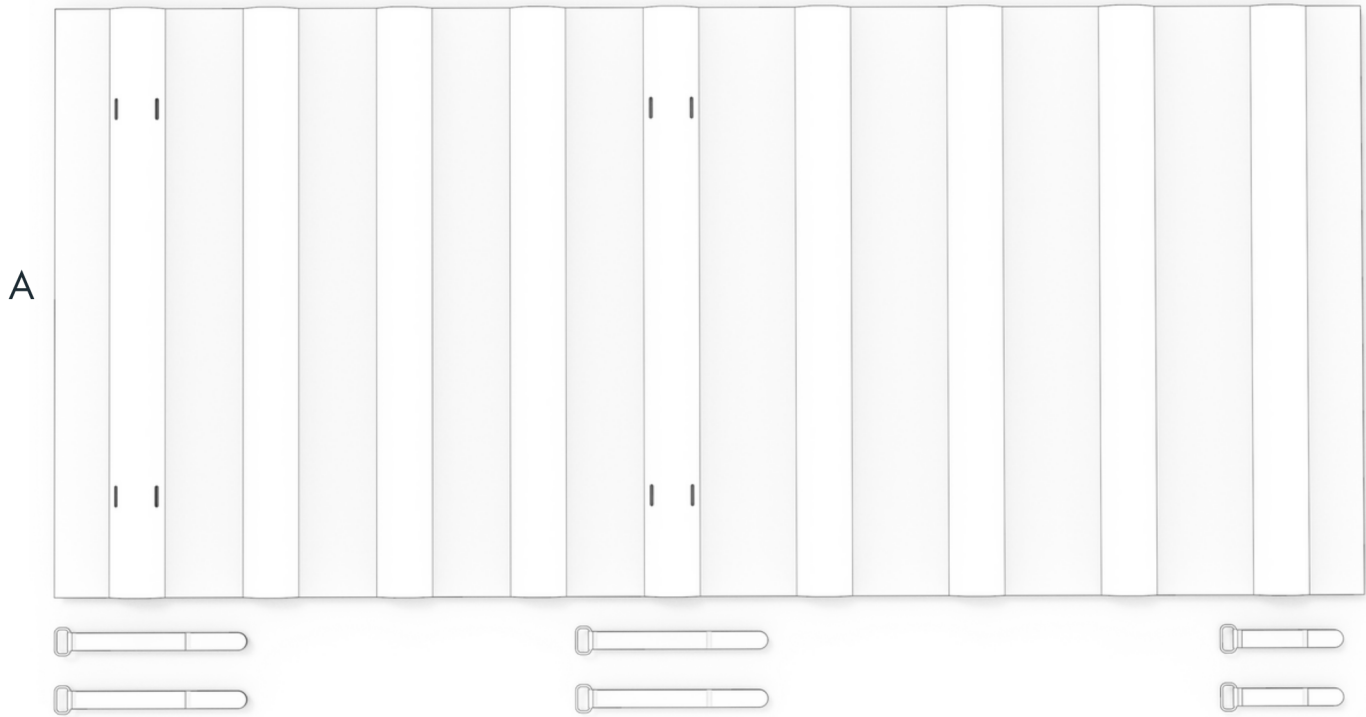


Thanks for supporting a small business and congratulations on buying some awesome gear!

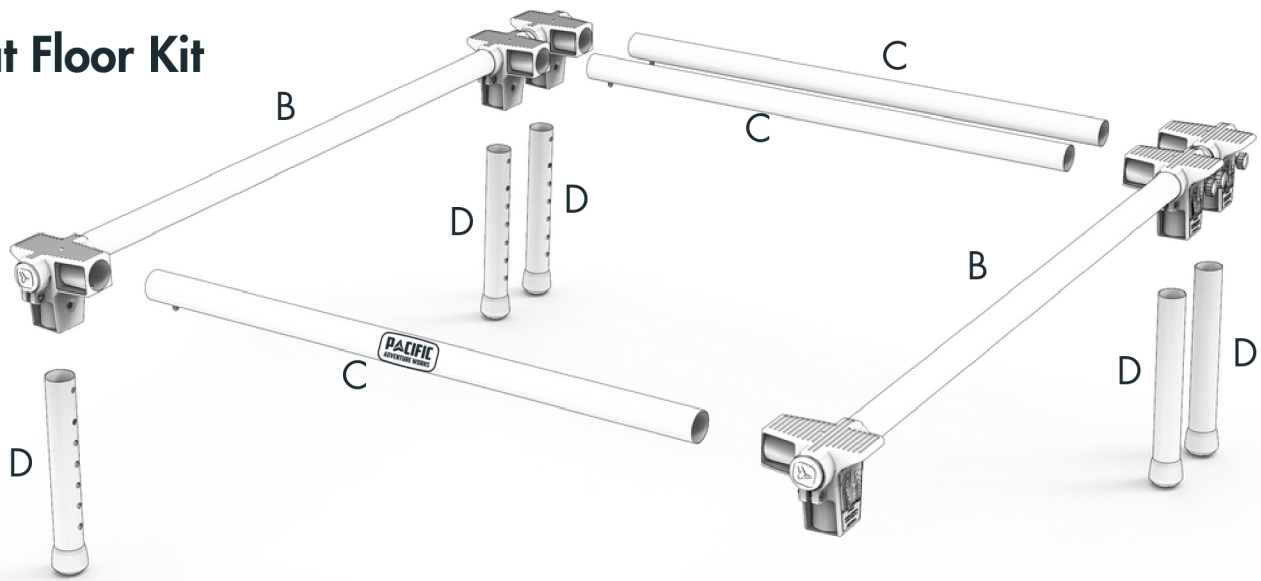
Before you get started we recommend checking out the assembly video first and then reviewing the written instructions below if you get stuck.



WHAT'S IN THE BOX- Flat Floor Kit



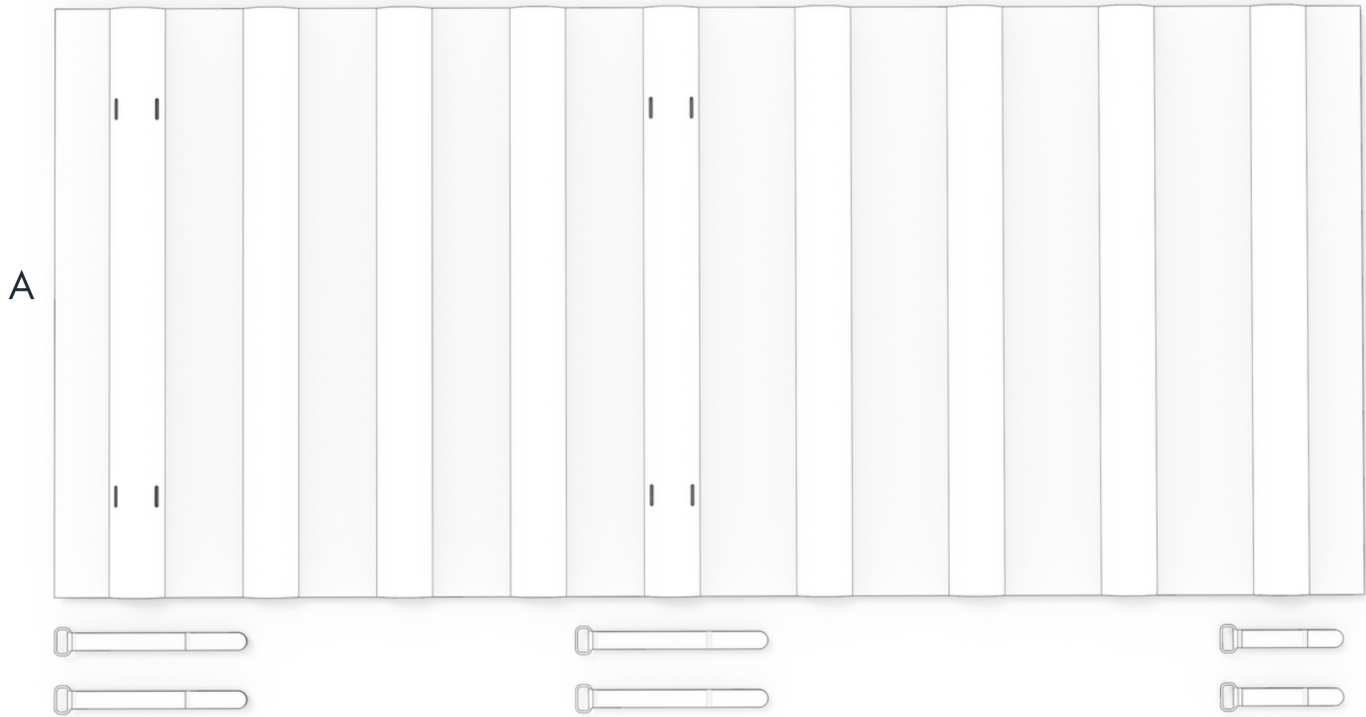
Flat Floor Kit



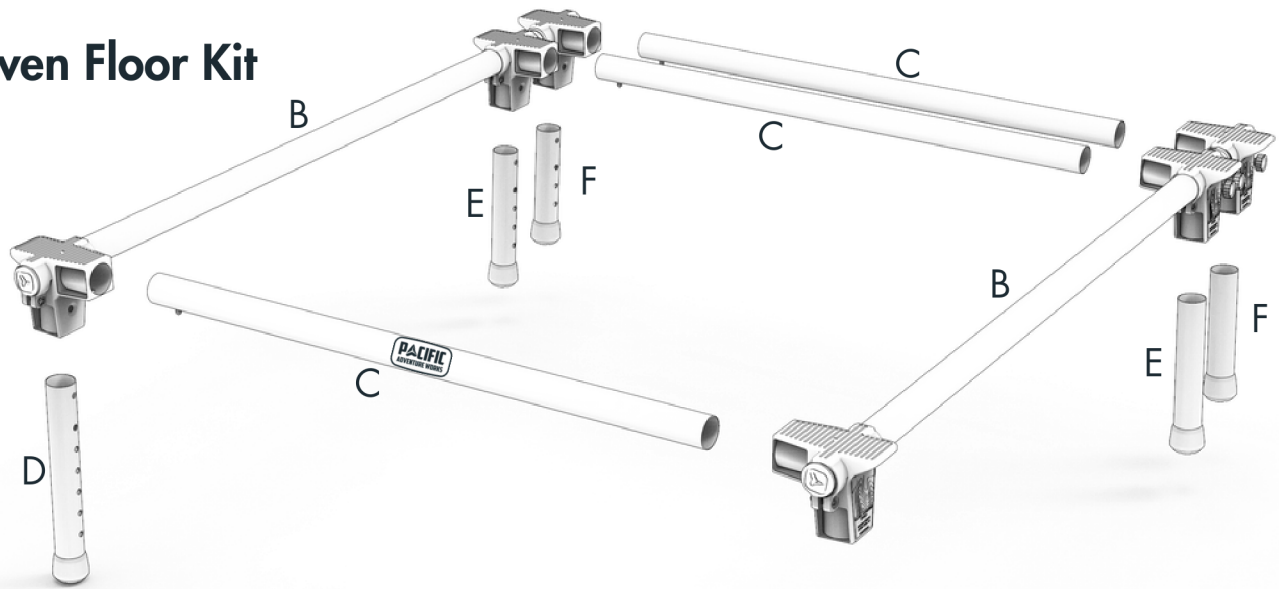
- A- Topper with straps installed (Qty 1)
- B- Support Assemblies (Qty 2)
- C- Cross Bars (Qty 3)
- D- 8" Legs (Qty 6)



WHAT'S IN THE BOX- Uneven Floor Kit



Uneven Floor Kit



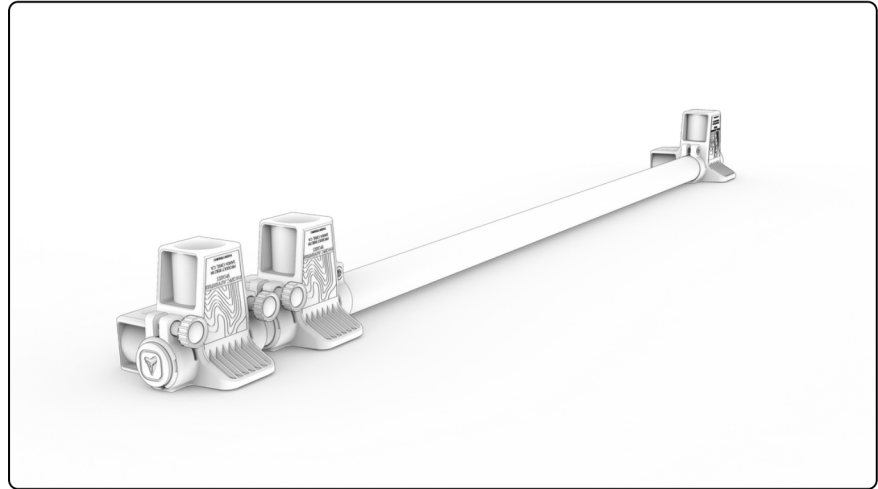
- A- Topper with straps installed (Qty 1)
- B- Support Assemblies (Qty 2)
- C- Cross Bars (Qty 3)
- D- 8" Legs (Qty 2)
- E- 6" Legs (Qty 2)
- F- 5" Legs (Qty 2)



ASSEMBLY INSTRUCTIONS

STEP 1:

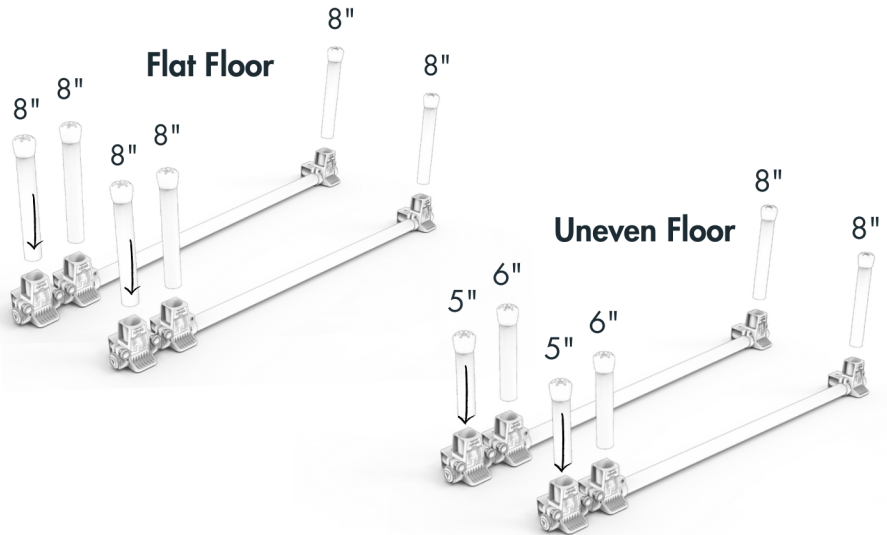
Find a flat work surface and place the support assemblies on the surface with the flat part of the connector on the surface.



STEP 2:

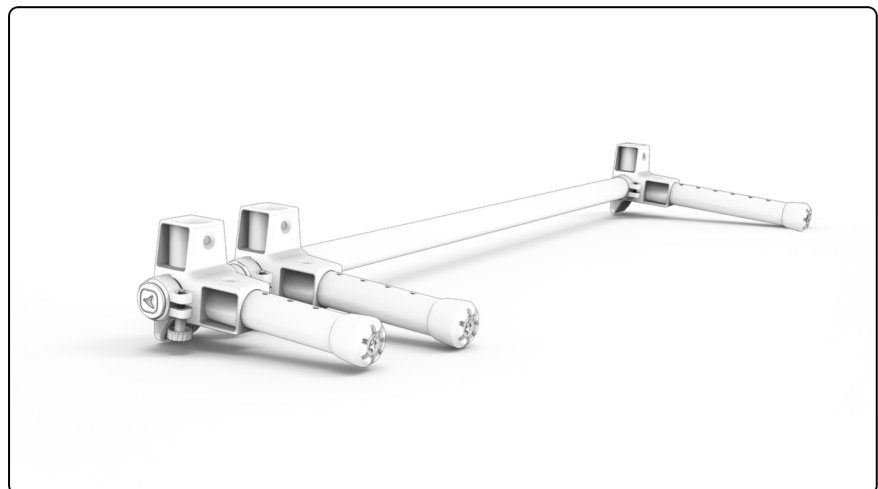
Flat Floor: Attach 8" legs (3) to each support assembly

Uneven Floor: Attach legs starting with 5" Leg, 6" Leg, 8" Leg to each support assembly



STEP 3:

Take one of the assemblies and turn it so the legs and connectors are touching the work surface.



ASSEMBLY INSTRUCTIONS

STEP 4:

Find the cross bar with the logo on it and connect it to the solo connector on the support assembly

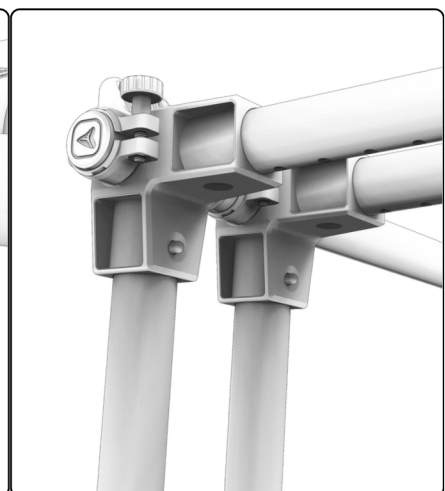
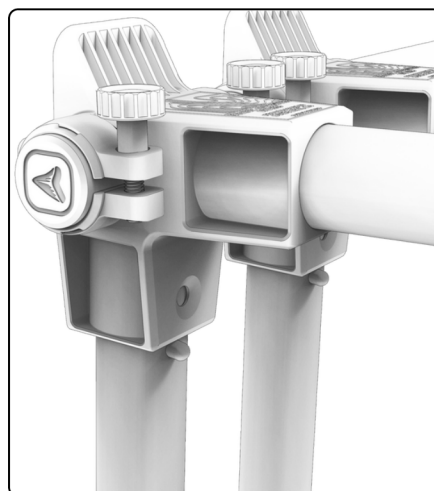
Continue connecting the two other cross bars in the same way.



STEP 5:

Starting at the double end, slide the connectors onto the cross bars until they are resting on the snap buttons.

Once all three connectors are resting on the snap buttons, fully install so the snap buttons are seated.



INSTALLATION INSTRUCTIONS

STEP 1:

Start with a clean, empty trunk and fold your rear seats down. Loosen the telescope knobs and place frame in trunk with the double end going in first.



STEP 2:

Slide adjust the telescoping end to within a few inches of the seat back. **DO NOT EXTEND BEYOND RED LINE ON TUBE.** If you did- don't worry. Just slide them back in ;) Snug both telescope knobs to lock extension.



STEP 3:

The telescoping supports can extend beyond the connectors if more extension is needed. With the telescope knob and connector knobs loose, slowly extend the support tube to desired length. Snug all knobs, remembering to not exceed those red lines!



INSTALLATION INSTRUCTIONS

STEP 4:

Adjust legs to level and find the right balance of gear height to head room. You can experiment with this later once the topper is installed too.

Tip: For lowest height remove silver leg tube and attach larger foot on black leg



STEP 5:

Stand at the rear bumper and install topper onto frame using the provided straps. Make sure the straps are going through slits in the fabric.

Repeat for middle cross bar.



STEP 6:

For the telescoping end, take a peek under the topper and you will find a length of sewn webbing on each side. Run the strap through the webbing section that makes the most sense, and secure.

Double check everything is secure, and you're done!



STORAGE INSTRUCTIONS

STEP 1:

Remove topper straps from frame and roll up topper setting it in your trunk.



STEP 2:

Loosen telescope knobs and collapse frame, then snug the knobs.

Remove cross bars by pressing in snap buttons. Start at double end. Remove legs in the same way.



STEP 3:

Grab topper roll and unroll it a few feet. Stash support assemblies, legs, and cross bars. Roll up and pack!

