
PRODUCT DESCRIPTION

POLYshim® II Tape is a 100% solids, highly adhesive and elastic, crosslinked butyl preformed tape with a continuous integral EPDM shim.

BASIC USES

POLYshim II Tape is used in compression glazing systems wherever the design calls for high-performance glazing of curtain wall, unitized curtain walls, punched and ribbon window systems, and sloped glazing applications.

AVAILABILITY

Immediately available from your local Tremco Sales Representative, Tremco distributor, or Tremco warehouse.

PACKAGING

Supplied in rolls of the following standard thicknesses and face clearances:

Available thicknesses and Face Clearance (Shim Diameter):

0.150" (3.81 mm), 1/8" Diameter (3.18 mm)
0.215" (5.46 mm), 3/16" Diameter (4.78 mm)
0.280" (7.1 mm), 1/4" Diameter (6.35 mm)
0.090" (2.29 mm), 1/16" Diameter (1.59 mm)
0.125" (3.18 mm), 1/16" Diameter (1.59 mm)

TOLERANCES

Tape width: ± 0.8 mm ($\pm 1/32$ ")

Tape Thickness: +0.4 mm, -0 ($+1/64$ " , - 0)

COLORS

Black

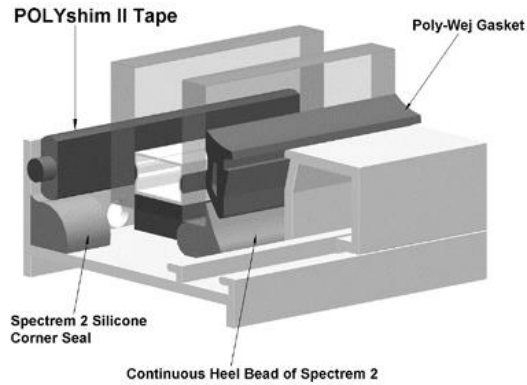
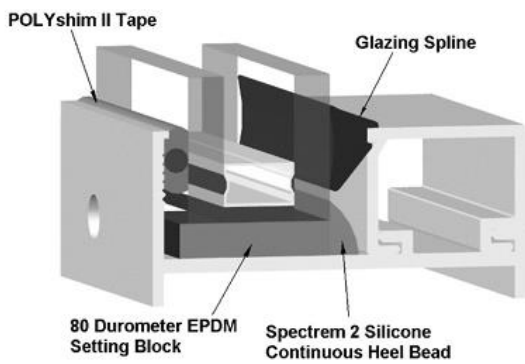
APPLICABLE STANDARDS

Tape width: ± 0.8 mm ($\pm 1/32$ ")

Tape Thickness: +0.4 mm, -0 ($+1/64$ " , - 0)

WARRANTY

A repair or replacement warranty is available on all Tremco products. Visit <https://www.tremcosealants.com/warranties/> for details.



TYPICAL PHYSICAL PROPERTIES

PROPERTY	TEST METHOD	TYPICAL VALUES
Base Polymer		CROSS-LINKED BUTYL RUBBER
Solids Content		100% by weight
Hardness		57 Durometer Shore "00"
Application Temp.		20 °F (-7 °C) to 120 °F (49 °C)
Service Temp.		-65 °F (-54 °C) to 200 °F (93 °C)
Heat Resistance		Excellent resistance to heat, cold and sun; no sagging and weeping or staining after 2 months at 200 °F (93 °C), -20 °F (-29 °C) and then to ultraviolet.
Aging		Excellent adhesion after 1000 hours exposure in accelerated weatherometer, cycling test unit.

Please refer to our website at www.tremcosealants.com for the most up-to-date Product Data Sheets.

NOTE: All Tremco Safety Data Sheets (SDS) are in alignment with the Globally Harmonized System of Classification and Labelling of Chemicals (GHS) requirements.

PSIIT-DS/1022



Tremco Construction Products Group (CPG) brings together the Commercial Sealants & Waterproofing and Roofing & Building Maintenance divisions of Tremco CPG Inc.; Dryvit, Nudura and Willseal brands; Prebuck LLC; Tremco Barrier Solutions, Inc.; Weatherproofing Technologies, Inc.; Weatherproofing Technologies Canada, Inc.; and Pure Air Control Services, Inc.



tremcosealants.com | 800.321.7906



Construction Products Group

3735 Green Rd. | Beachwood, OH 44122
800.321.7906 | tremcocpg.com