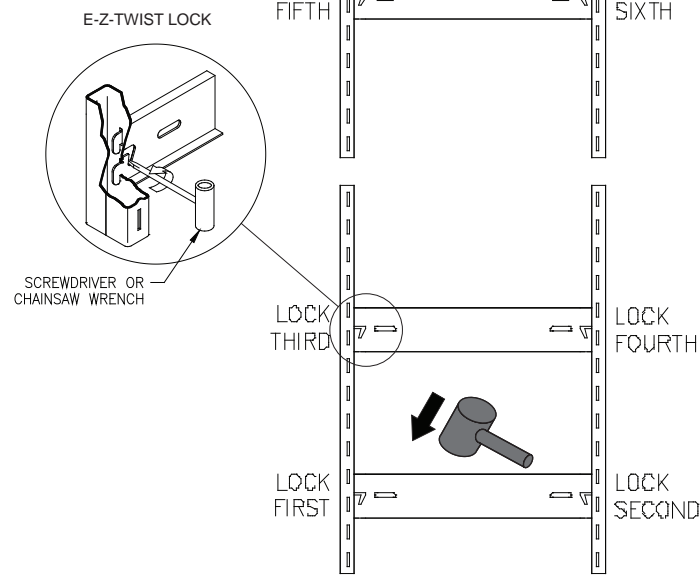


STEP ONE

Place post flat on the ground so that Post Connector slots are on the inside and the seam is on the outside. Post Connector slots are adjustable every 12" (305mm). Arrange Post Connectors at desired location, normally evenly spaced, with one always at top and bottom of post.

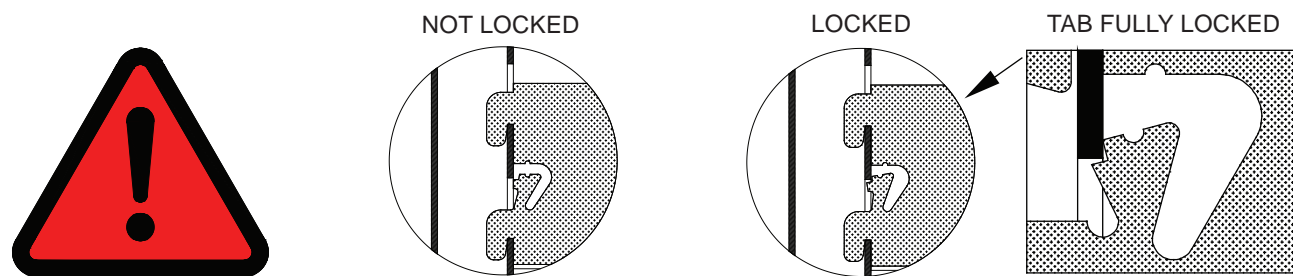


FRAME ASSEMBLY

STEP TWO

Starting from the bottom tap in one side of the Post Connector and LOCK IMMEDIATELY. Then tap in and lock the other side. The post will have to be spread slightly as you work your way up the post. Use a 1/4" or a 3/8" screwdriver or chainsaw wrench to lock connectors. Assembly time is approximately 1 to 2 minutes per 84" (2134mm) frame.

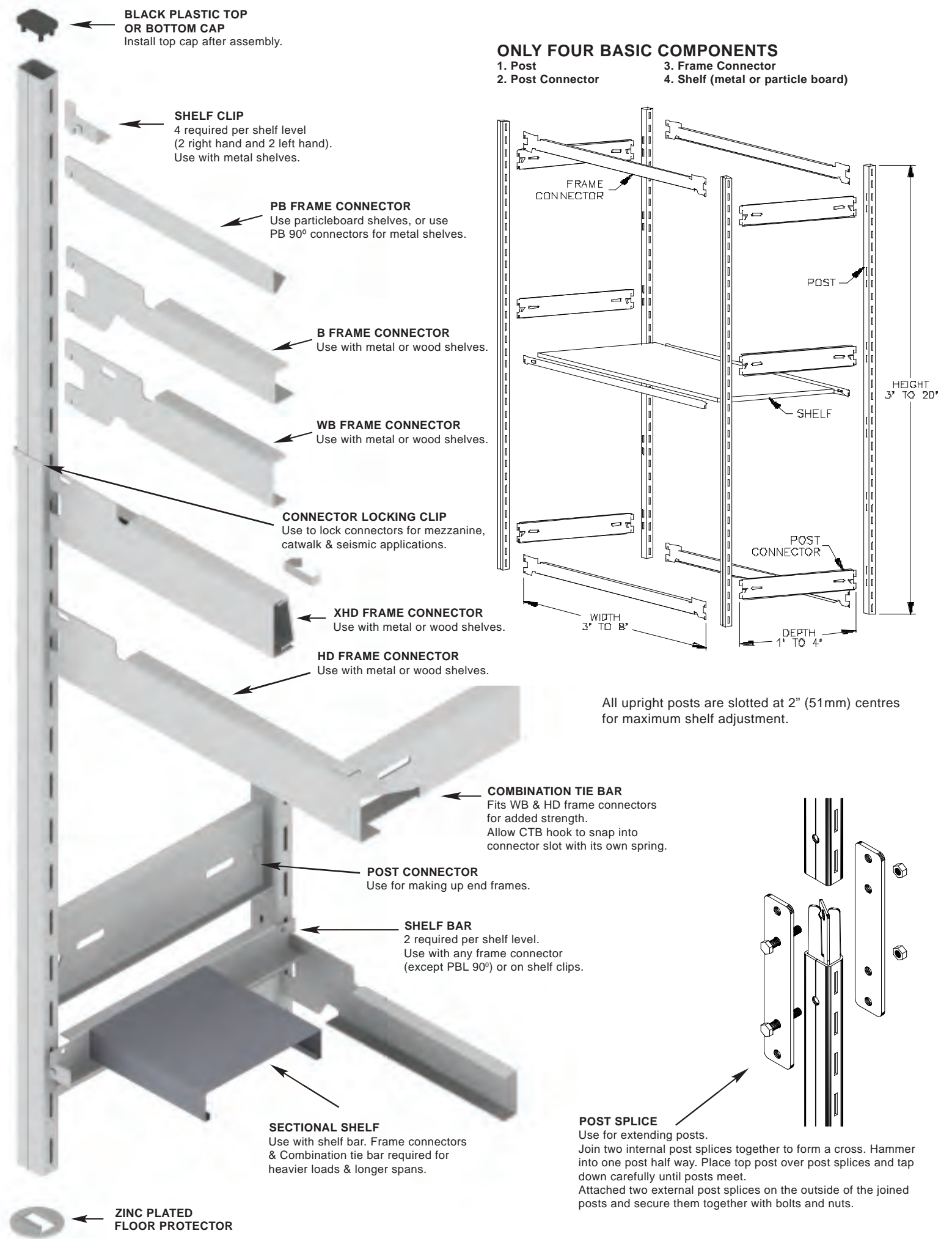
CAUTION - POST CONNECTOR MUST BE LOCKED FOR SAFETY



LOAD CAPACITIES (IN LBS.) Maximum evenly distributed static load per pair of connectors

SHELF LENGTH	30"	36"	42"	48"	60"	66"	72"	96"
PB Frame Connectors	-	400	340	300	150	-	-	-
B Frame Connectors	-	700	620	550	400	-	-	-
with L Tie & O Shelf Support	-	1400	1100	900	530	-	-	-
WB Frame Connectors	-	1200	1050	950	700	575	480	-
with WT Combination Tie Bar & Shelf Support	-	1800	1640	1500	1200	1030	900	-
HD Frame Connectors	-	1650	1550	1400	1000	900	800	450
with WT Combination Tie Bar & Shelf Support	-	2000	1950	1900	1700	1600	1500	900*
XHD Frame Connectors	-	-	-	-	-	-	-	-
with WT Combination Tie Bar & Shelf Support	-	-	-	2400	2400	2400	2400	1700*

- Connectors are designed for an overall Safety Factor of 1.66 to 1 which conforms to AISI Standards. Deflection is limited to 1/140 for spans
* Two WT Combination Tie Bar and Shelf Supports must be used.

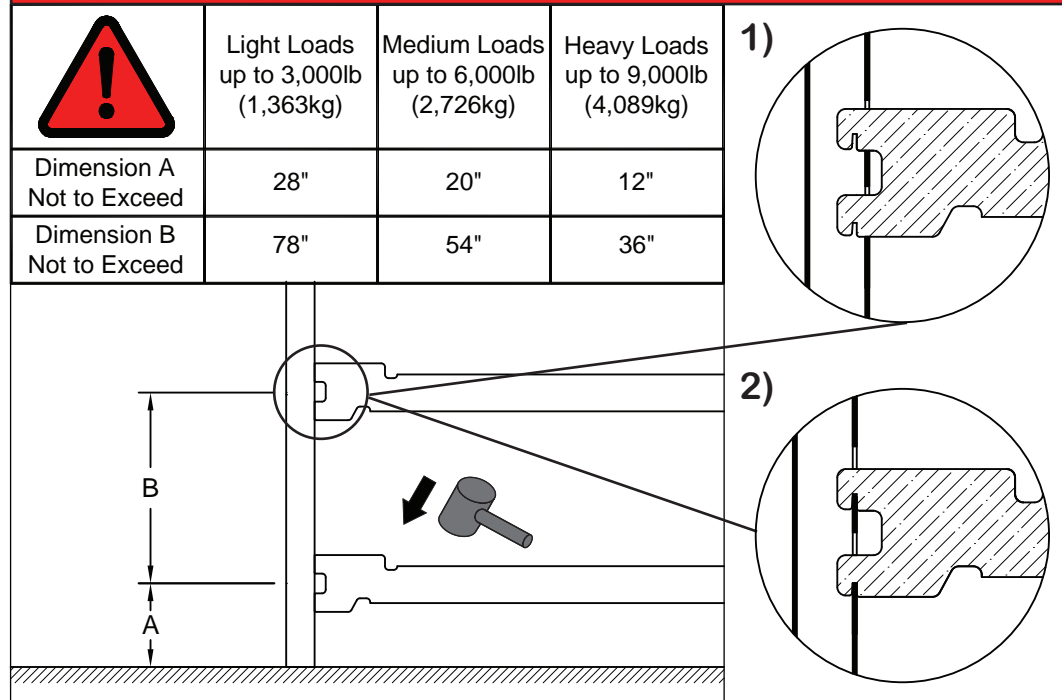


E-Z-RECT MANUFACTURING LTD.
 Head Office: 94 Riverside Drive, North Vancouver, BC V7H 2M6 Telephone: (604) 929 5461 Fax: (604) 929 5184 Email: sales@ezrect.ca Web: www.ezrect.ca
 Eastern Sales: 185 Admiral Boulevard, Mississauga ON L5T 2T3 Telephone: (905) 564 0890 Fax: (905) 564 0953 Email: torontosales@ezrect.ca Web: www.ezrect.ca
 UK Sales: E-Z-Rect Ltd. trading as EZR Shelving Witan Park Avenue Two Station Lane, Witney, Oxon OX28 4FH United Kingdom Fax: (01993) 704111 Telephone: (01993) 779494 Web: www.ezrshelving.com

FRAME CONNECTOR ASSEMBLY

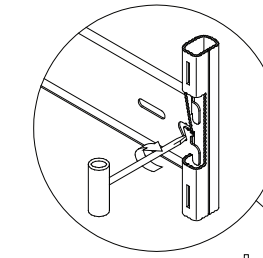
1) Insert frame connector hooks all the way into post as shown below in order to allow for the opposite side to enter and line up at the same slot level. 2) Tap down with rubber mallet to finish. Note: Each level can be easily changed without dismantling the unit.

ALLOWABLE SPACING BETWEEN FRAME CONNECTORS

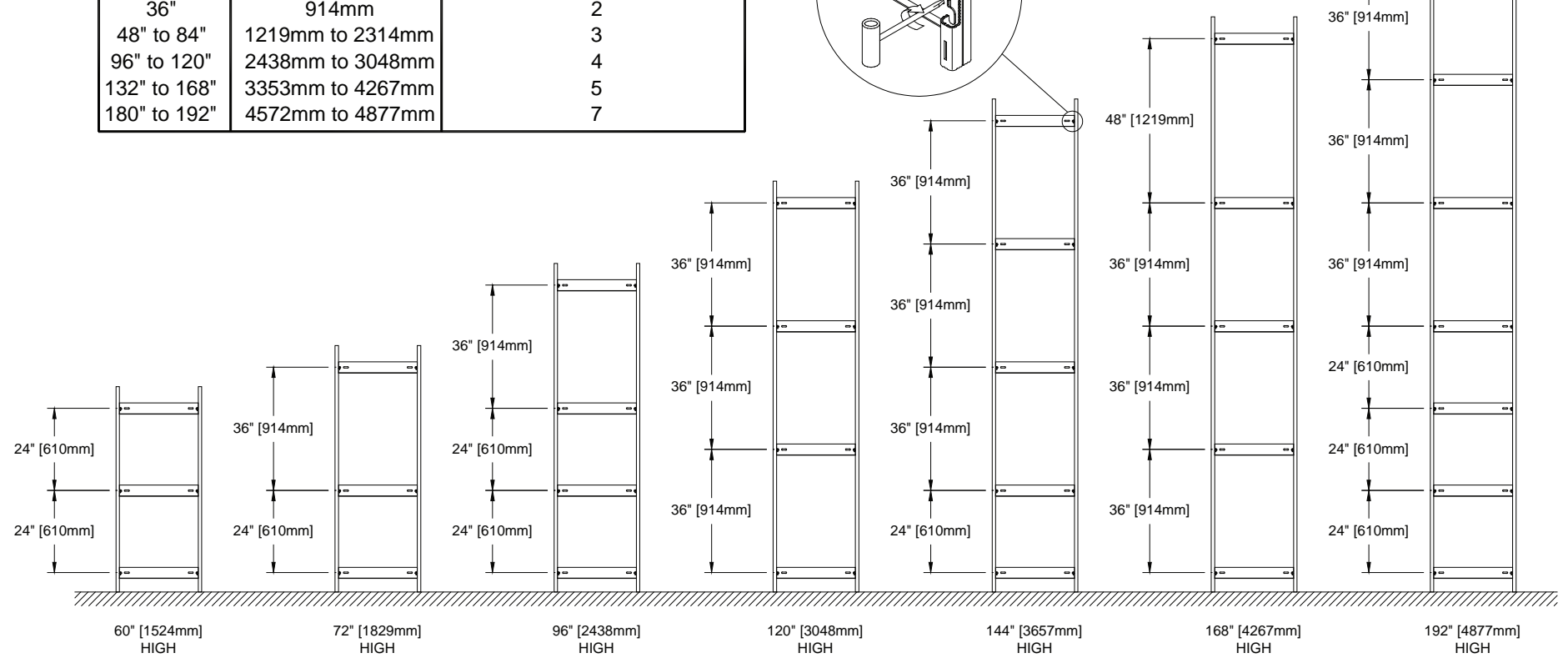


NUMBER OF POST CONNECTORS REQUIRED

Height of Post		Light to Medium Loads up to 6,000lb (2,727kg) or up to 30" (762mm) in Depth
Inches	Metric	
36"	914mm	2
48" to 84"	1219mm to 2314mm	3
96" to 120"	2438mm to 3048mm	4
132" to 168"	3353mm to 4267mm	5
180" to 192"	4572mm to 4877mm	7

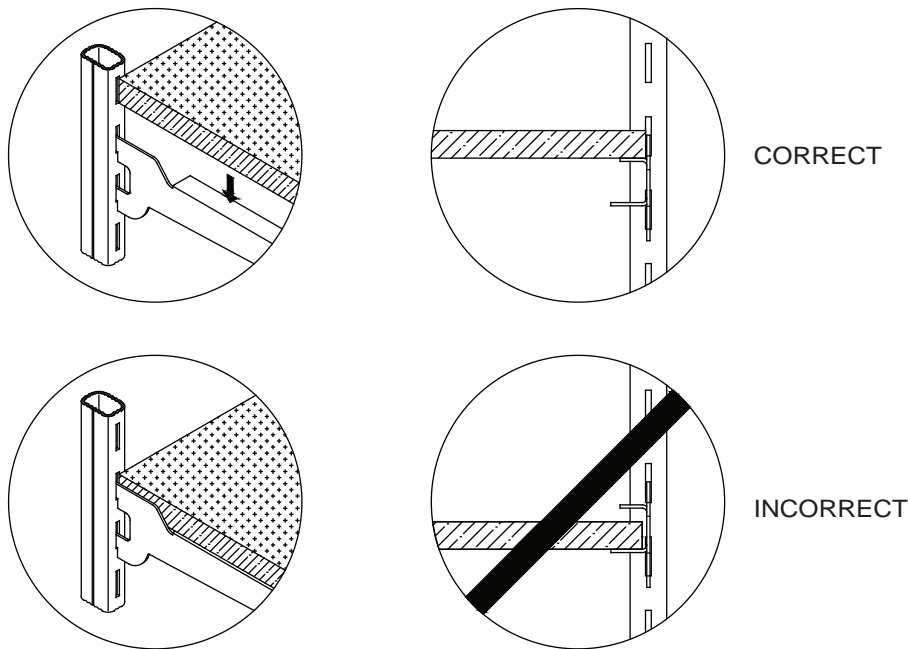


POST CONNECTOR TABS
MUST BE LOCKED IN PLACE
FOR SAFETY, TYP.



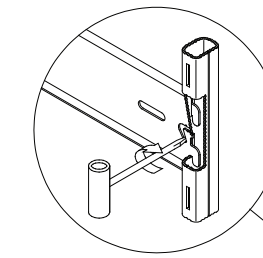
SHELF PLACEMENT

Lay the particleboard shelf on top of Frame Connector.

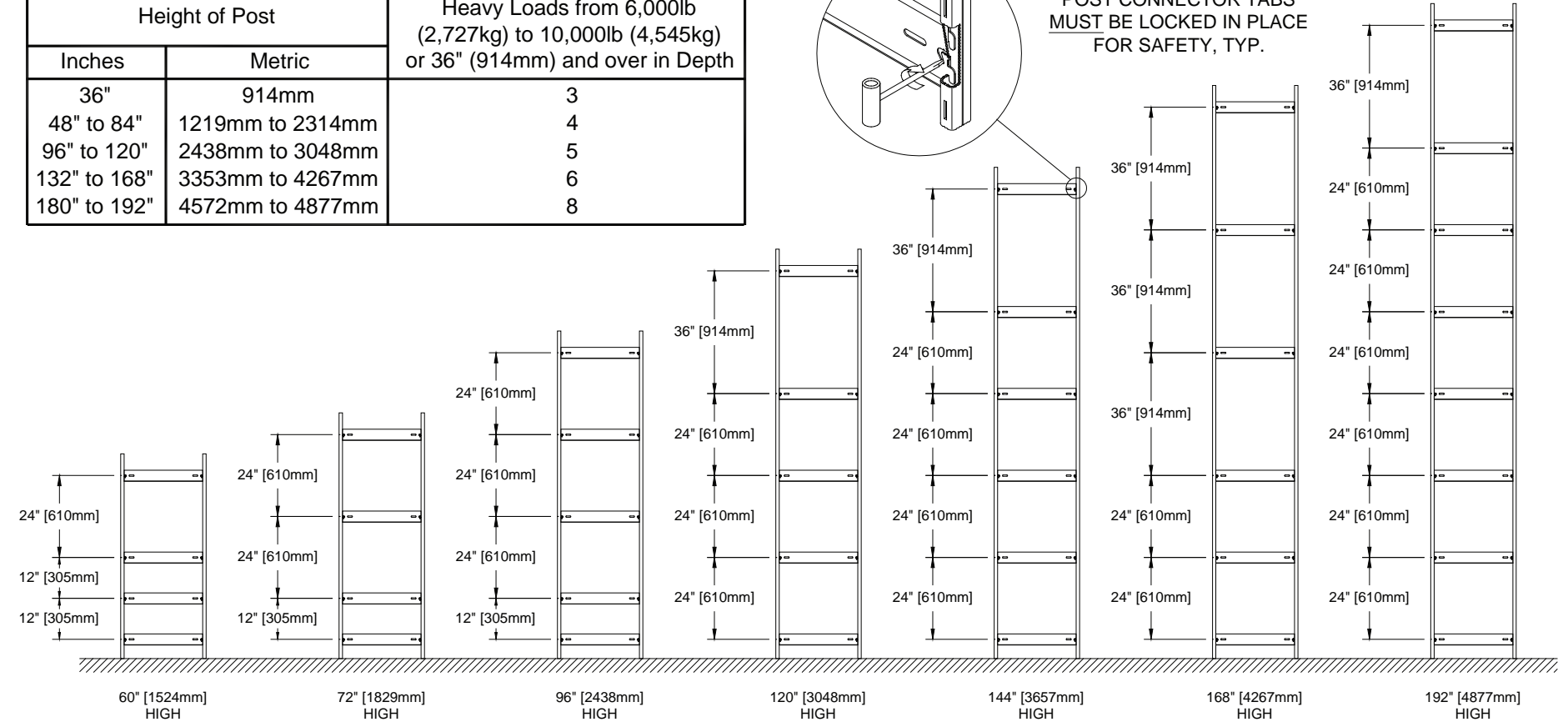


NUMBER OF POST CONNECTORS REQUIRED

Height of Post		Heavy Loads from 6,000lb (2,727kg) to 10,000lb (4,545kg) or 36" (914mm) and over in Depth
Inches	Metric	
36"	914mm	3
48" to 84"	1219mm to 2314mm	4
96" to 120"	2438mm to 3048mm	5
132" to 168"	3353mm to 4267mm	6
180" to 192"	4572mm to 4877mm	8

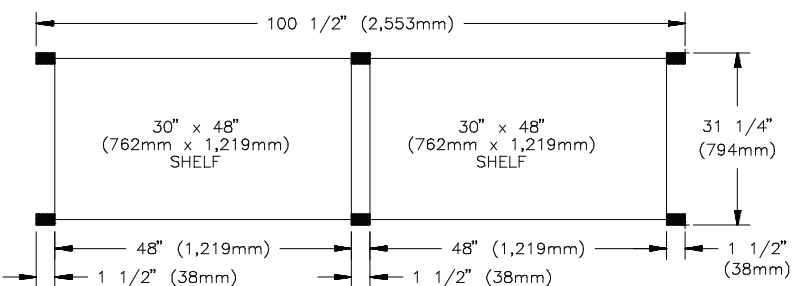


POST CONNECTOR TABS
MUST BE LOCKED IN PLACE
FOR SAFETY, TYP.



LAYOUT INFORMATION

When designing shelving layout, allow for an additional 1 1/2" (38.1 mm) creepage for each end frame in the row and 1" (25.4 mm) creepage in depth for each end frame.



IMPORTANT NOTES:

- Post Connector requirements are for static loading only; no shocks, vibrations, seismic, mobile or other special conditions are considered.
- Always lock all post connectors on both sides to the posts that make up the shelving end frame. Refer to the assembly instructions guide for typical placement.
- Be sure the post connectors are tapped down completely so the locking tab can be fully engaged before twisting the locking tab as per drawing. It is best to use a chainsaw wrench but a 3/8" screwdriver can also be used.
- Not locking the post connectors can lead to a dangerous situation and the shelving could collapse.
- Please contact your sales representative or the factory direct for help on shelving assembly, seismic and mobile conditions, and heights over 192" (4.88m) at 1-888-397-4353.