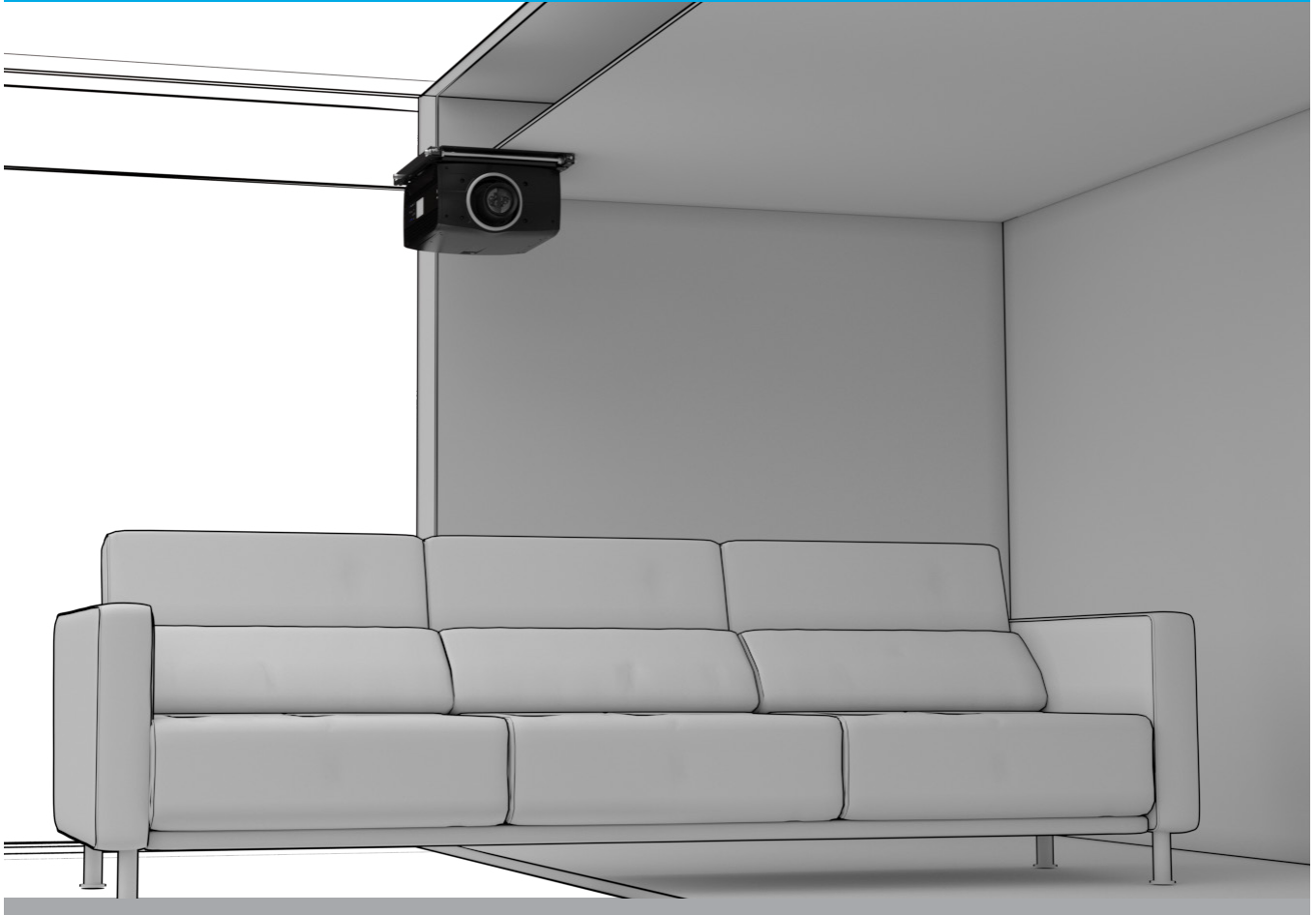




# Ceiling Mount

[DT-CM]

On ceiling adjustable projector mounting bracket



## DT MOUNTS AND MIRRORS

### CEILING MOUNT [DT-CM]

On ceiling adjustable projector mounting bracket

DT Ceiling Mount is a two part on ceiling projector mounting bracket featuring very low installation profile for medium sized projectors.

### PRODUCT HIGHLIGHTS:

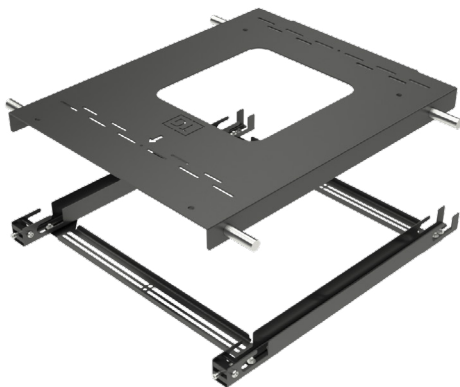
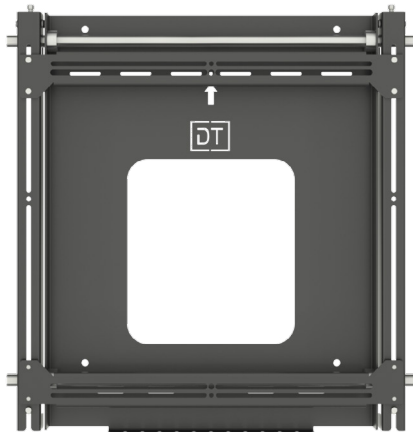
- Low profile
- Easy installation of projector
- 5 Degree swivel alignment
- Heavy Duty



# Ceiling Mount

[DT-CM]

On ceiling adjustable projector mounting bracket



The DT Ceiling Mount has an extremely low installation profile which allows the projector to be mounted close to the ceiling which minimises lost height and aesthetic impact.

The Ceiling Mount is a two part solution with a fixed ceiling plate and a universal fitting projector mount plate. This makes it extremely easy to mount even very large projectors to the ceiling.

The integrated adjustment makes it straightforward to align the projector on the DT-CM with the projector screen. Adjustable locking nuts enable 10mm of rotation in either direction.

## TECHNICAL SPECIFICATION:

- Overall weight= 10.3kg [22.7lbs]
- Height from ceiling = 48mm [1.89"]
- Projector Specification:
  - Weight (inc. lens) Up to 50kg
  - Maximum fixing hole spacing 440mm wide x 453mm - M8 Max
- RAL colour options available



Scan the QR code or follow the link  
[info.displaytechnologies.co.uk/DT-CM](https://info.displaytechnologies.co.uk/DT-CM)  
for full product information.

This product is proudly  
**MADE IN BRITAIN**