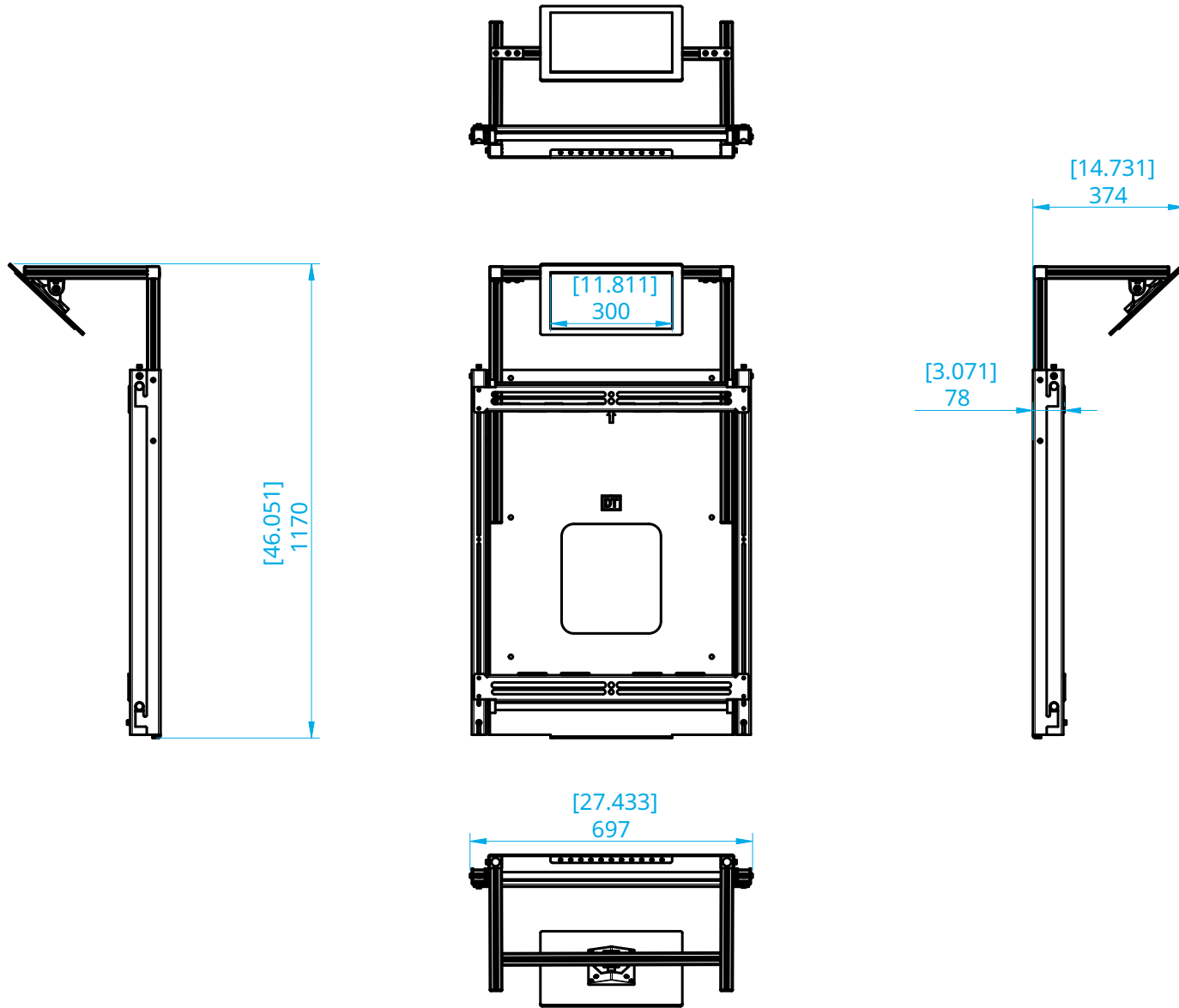
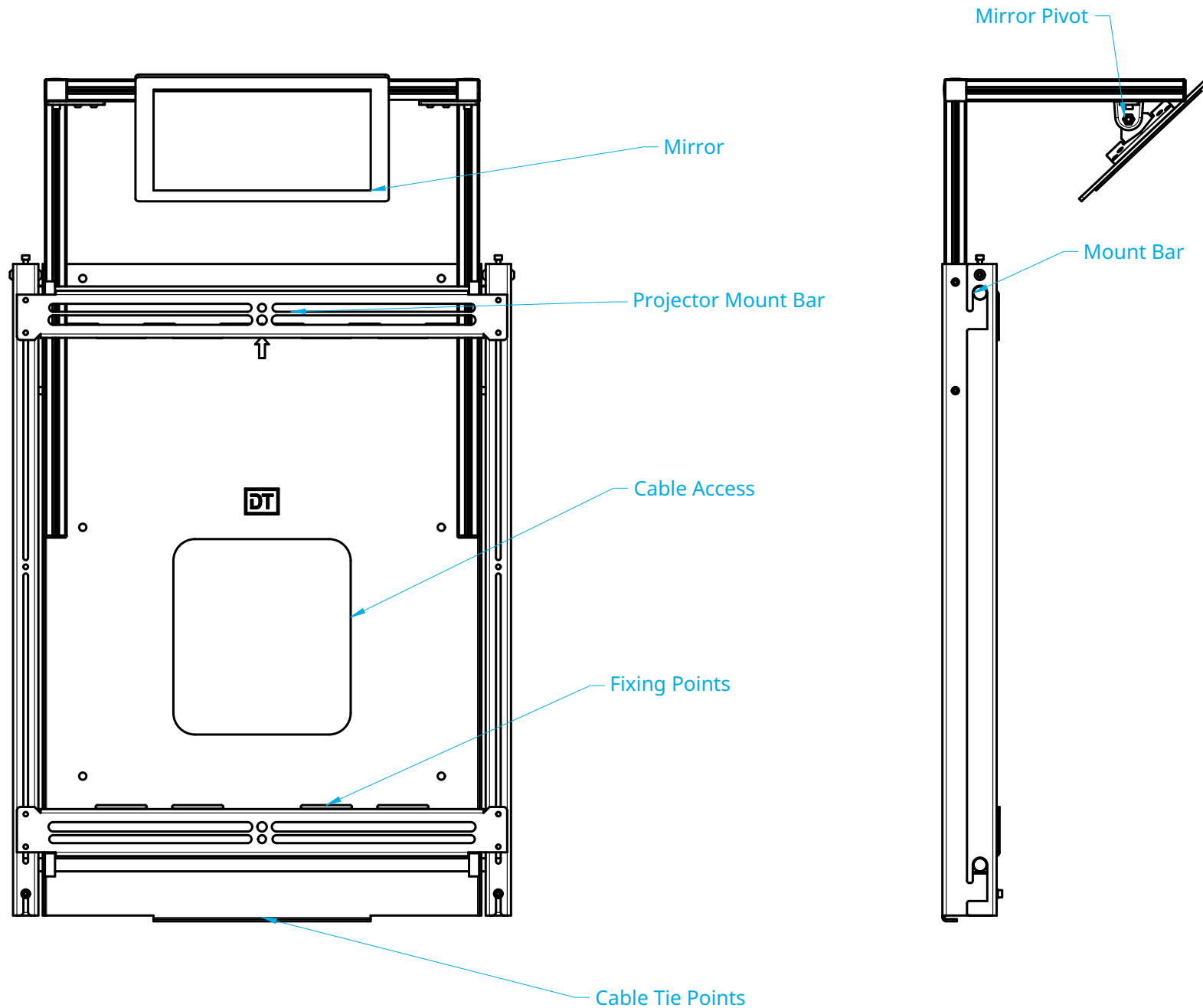


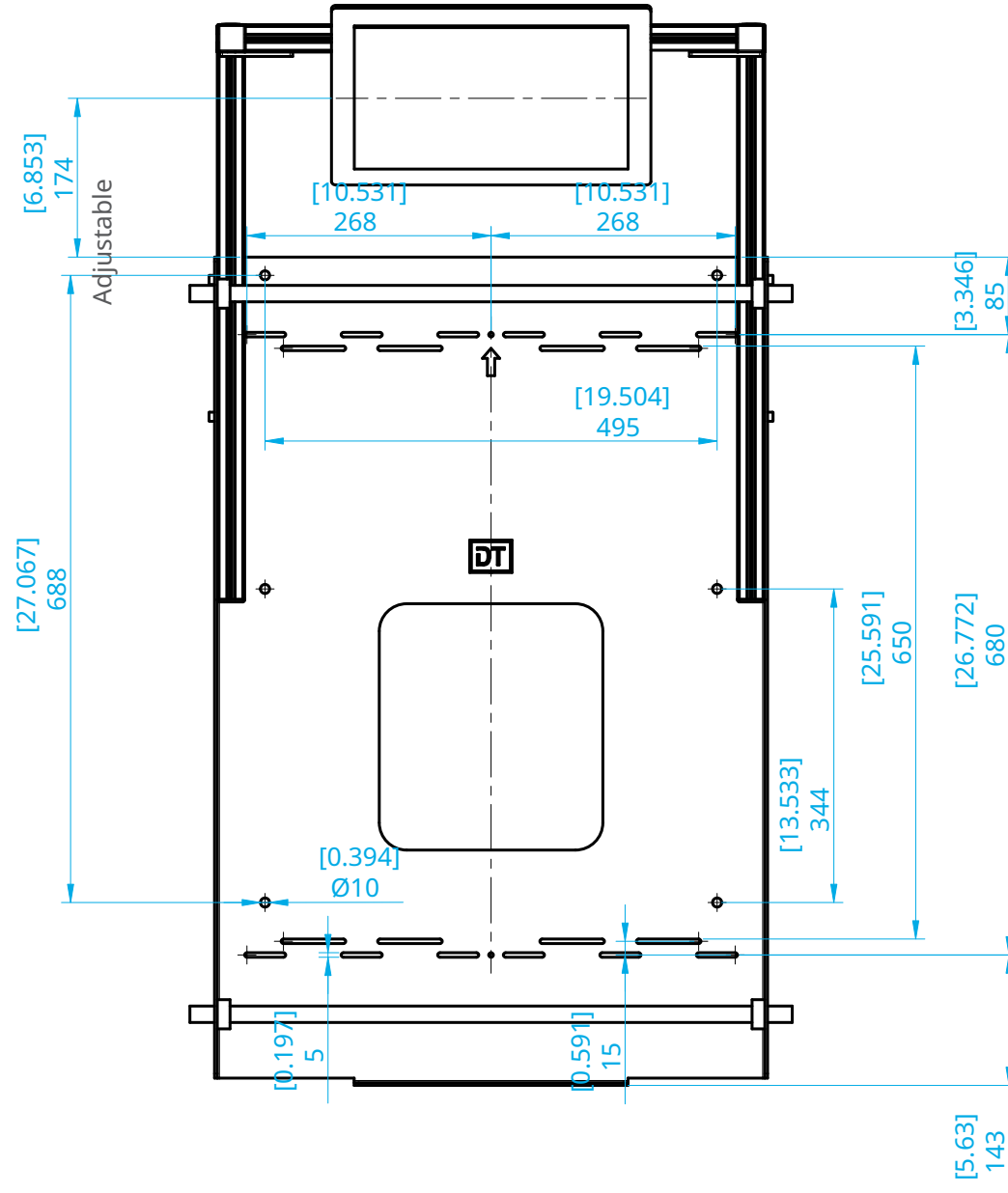
Note: Suitable for projector up to 70kg [154lbs]

	NAME	SIGNATURE	DATE	TITLE		
DRAWN	SIMON RIDLEY		2021-03-10	VERTICAL MIRROR MOUNT XL DT-VMMV2-XL		
APPROVED				SIZE	DWG NO.	REV.
				A4	DT-VMMV2-XL/1	1
UNLESS OTHERWISE SPECIFIED, DIMENSIONS ARE IN MILLIMETERS				SCALE	WEIGHT	SHEET
				1:8		1 of 8

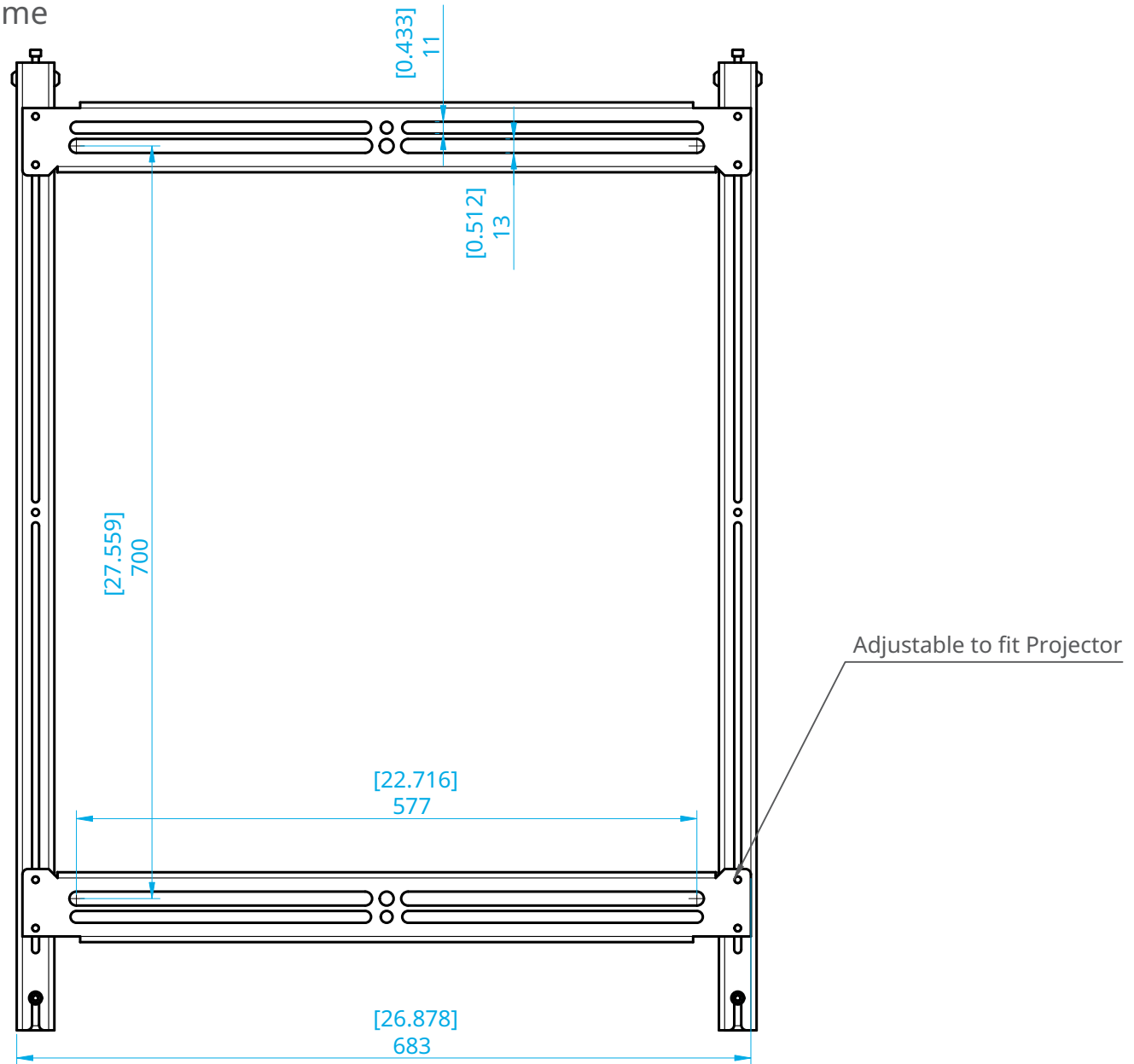




Fixing Locations

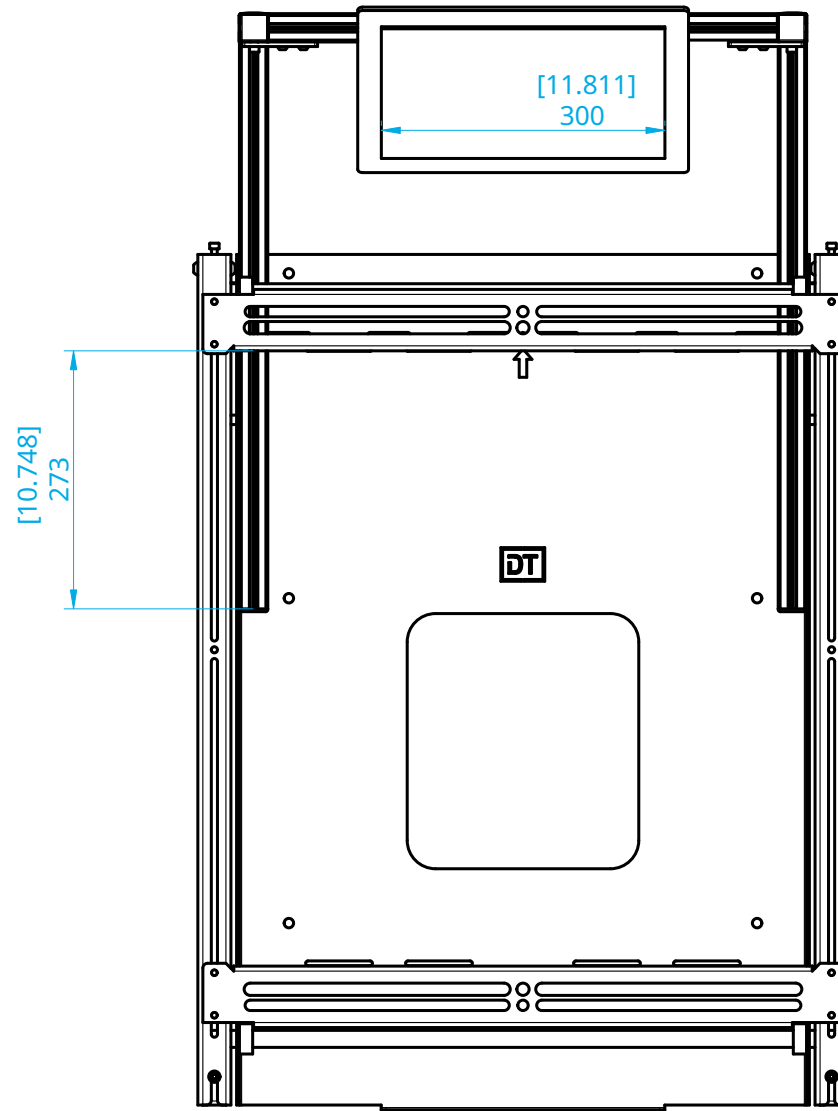


Universal Projector Mount Frame



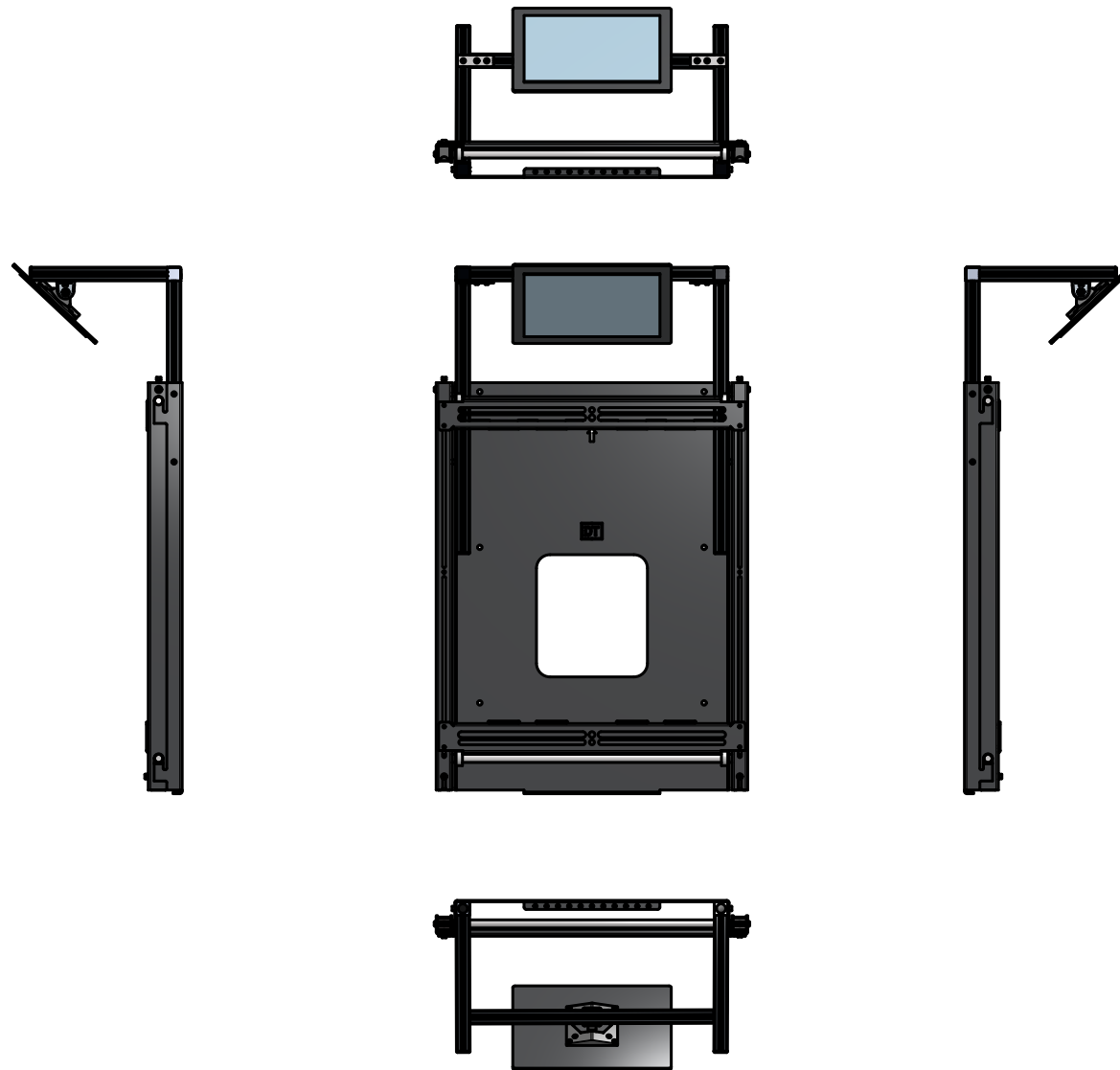
Note: Suitable for projector up to 75kg [154lbs]
Projector Maximum fixing hole spacing 577mm wide x 700mm -
M12 Max

DWG NO.	DT-VMMV2-XL/5	SIZE	A4	SCALE	1:6	SHEET	5 of 8	REV.	1
---------	---------------	------	----	-------	-----	-------	--------	------	---

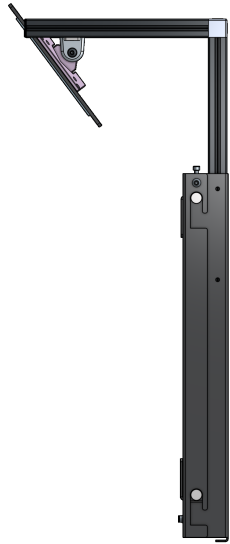


Mirror adjustment of 288mm from standard position as shown on drawing. This allows for adjustment in lens lengths or extended position to mirror. Ensure that image size on mirror is still possible especially on short throws with mirror extended. Mirror size 300mm x 200mm.

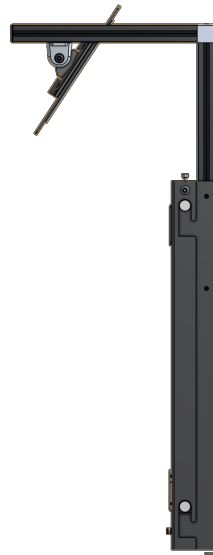
Mirror adjustment left to right +/- 100mm [4"] for projectors with offset lenses



VMMv2 - CONFIGURATIONS



UP-RE
Lens Pointing Up - Projector base facing towards screen



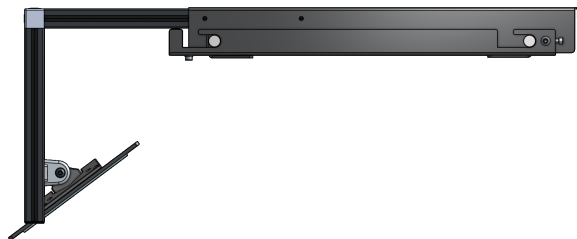
UP
Lens Pointing Up - Projector base facing away from screen



DOWN
Lens Pointing Down - Projector base facing away from screen



DOWN-RE
Lens Pointing Down - Projector base facing towards screen



CEILING
Ceiling mounted projecting to the floor

Note
All configurations are possible from the same VMMv2 SKU and just dependant on installation.

Not to Scale