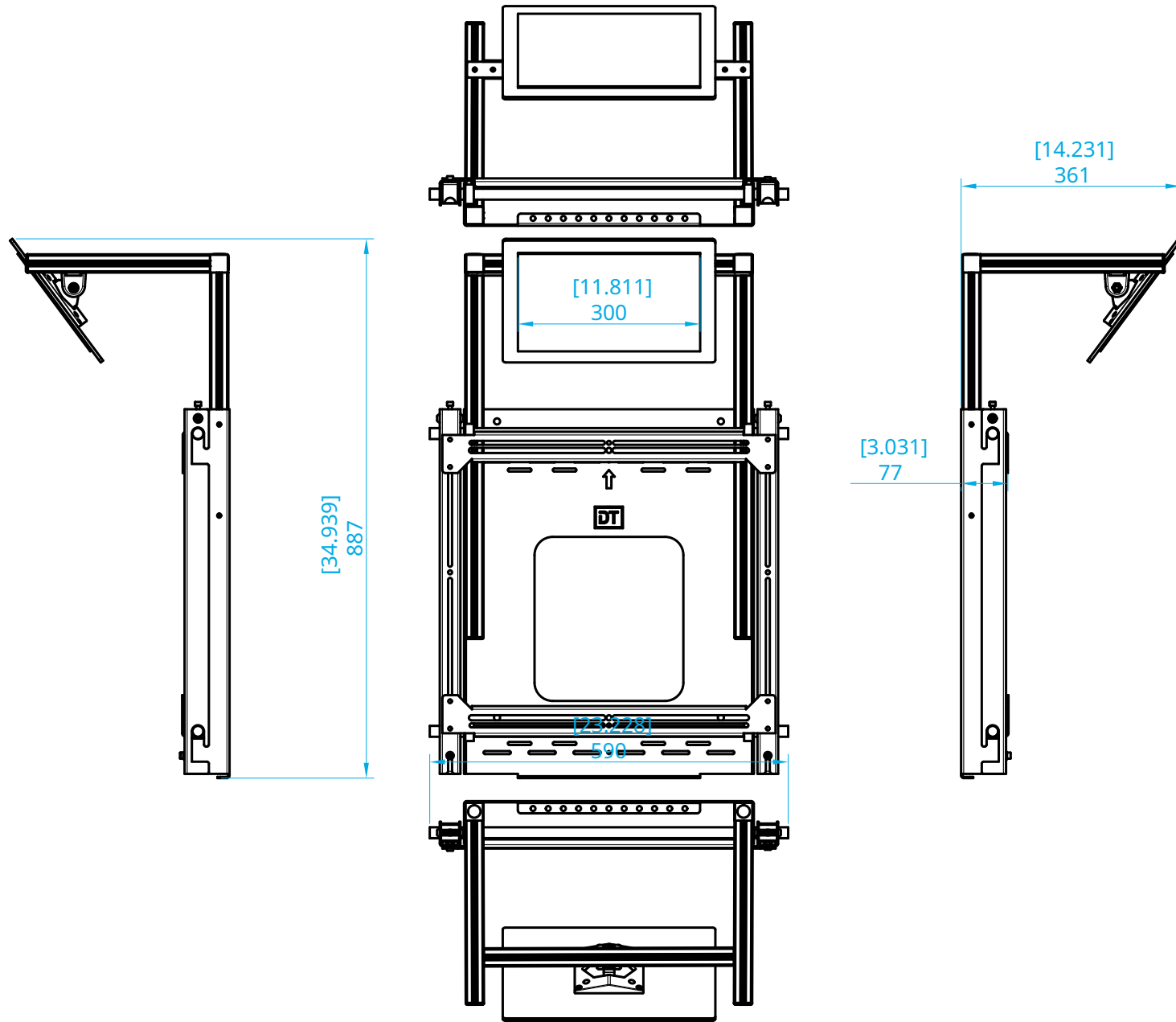
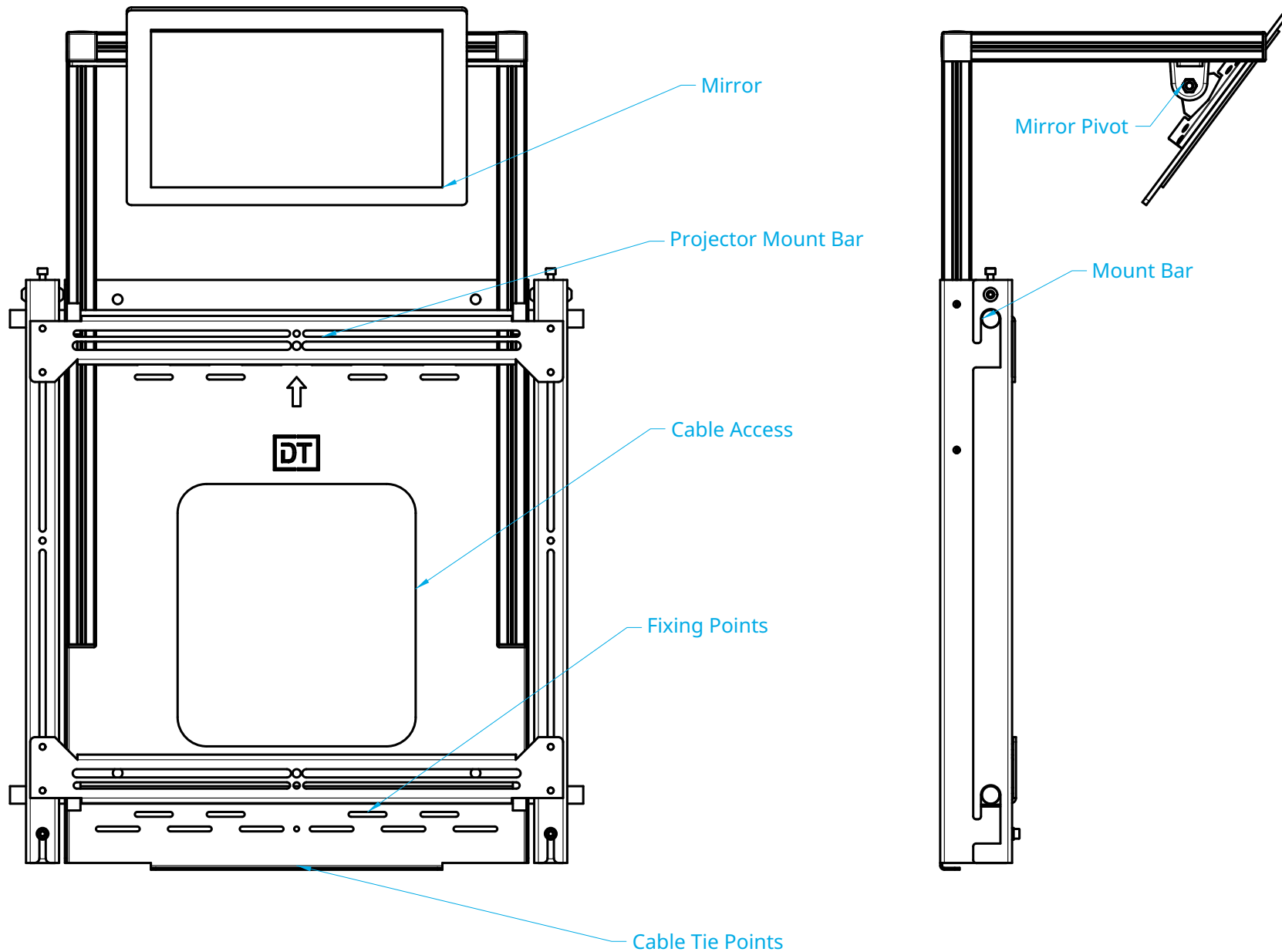


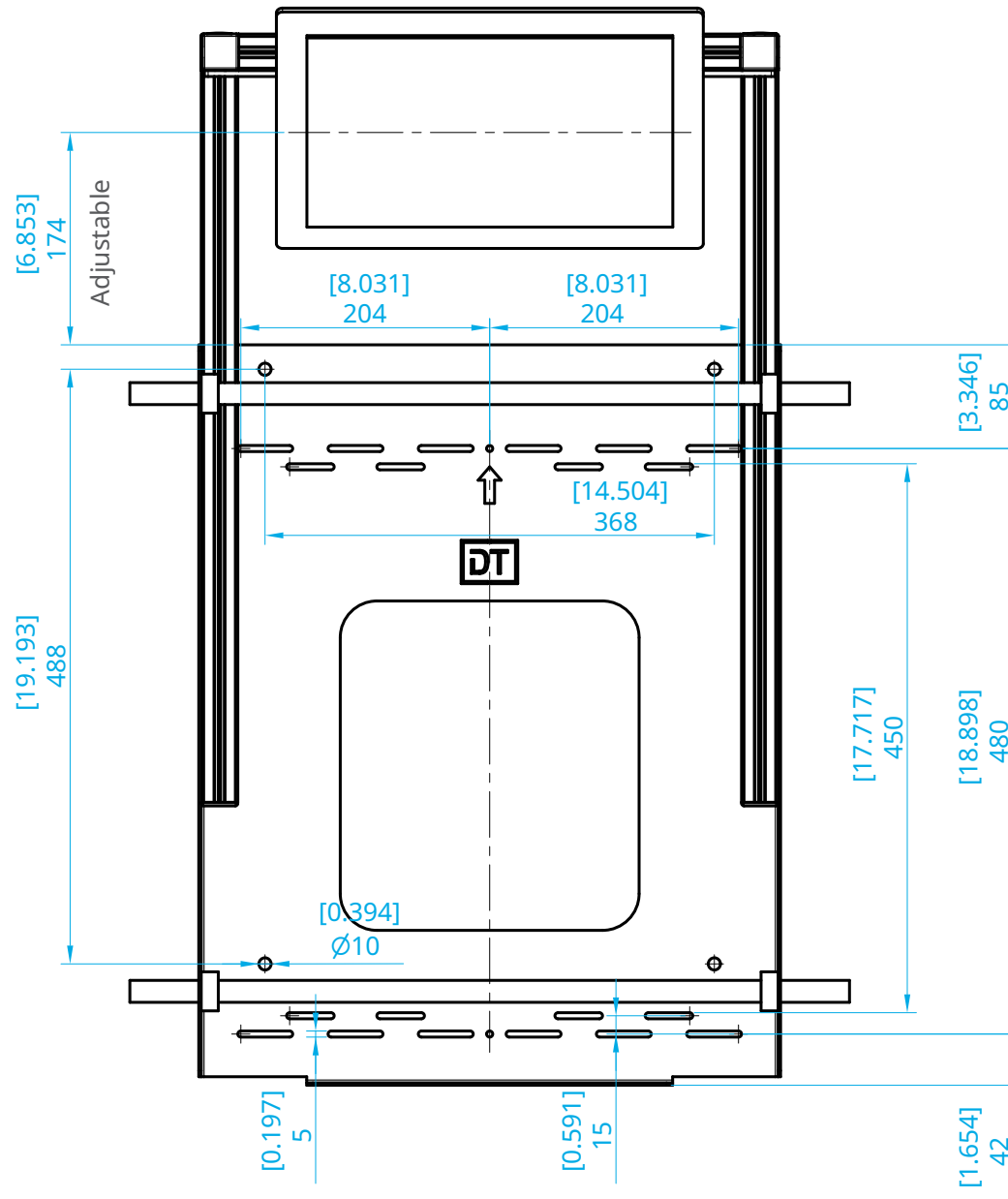
Note: Suitable for projector up to 50kg [110lbs]

	NAME	SIGNATURE	DATE	TITLE		
DRAWN	SIMON RIDLEY		2020-03-20	VERTICAL MIRROR MOUNT DT-VMMV2		
APPROVED						
UNLESS OTHERWISE SPECIFIED, DIMENSIONS ARE IN MILLIMETERS				SIZE	DWG NO.	REV.
				A4	DT-VMMV2/1	1.0
				SCALE	WEIGHT	SHEET
				1:6		1 of 8

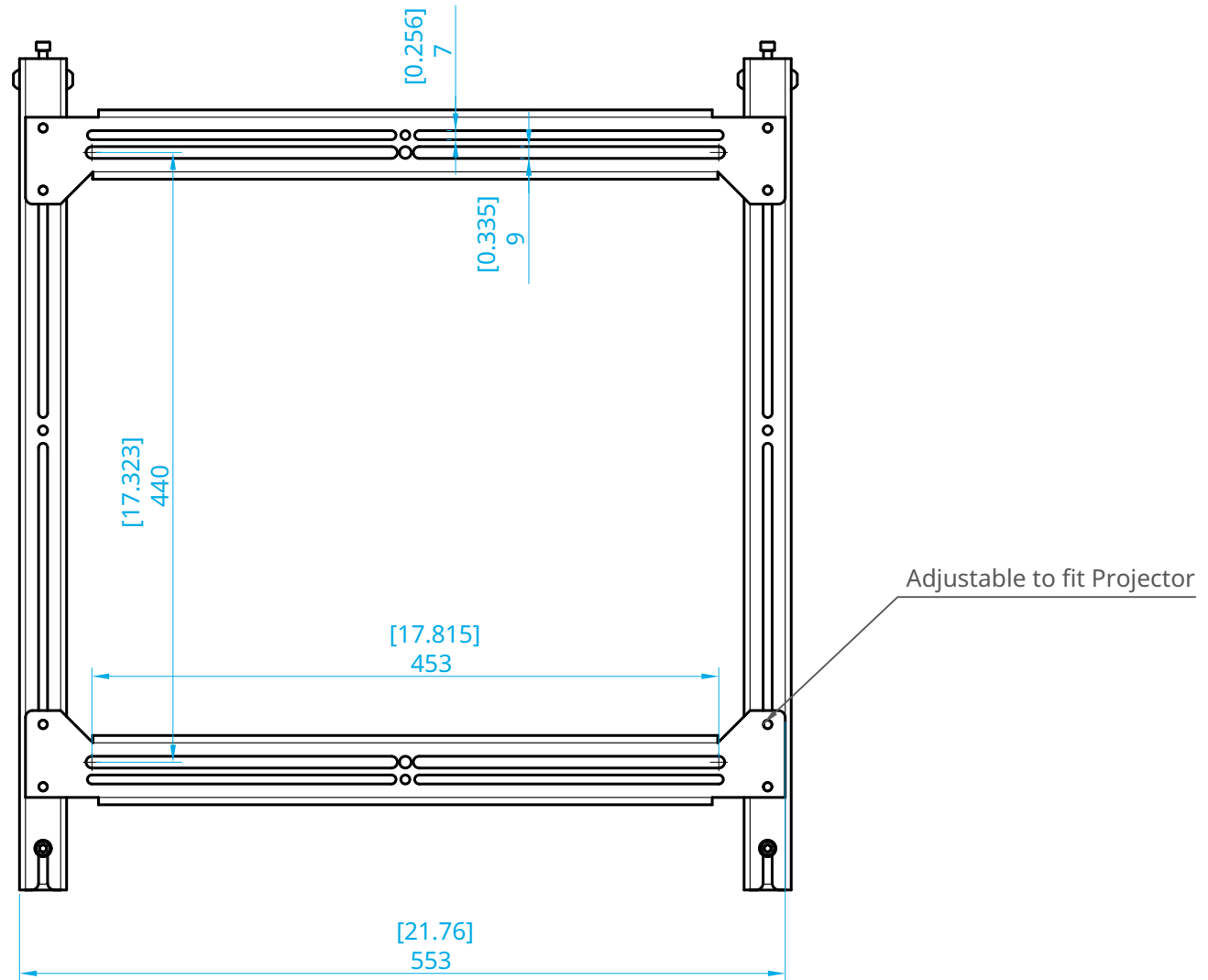




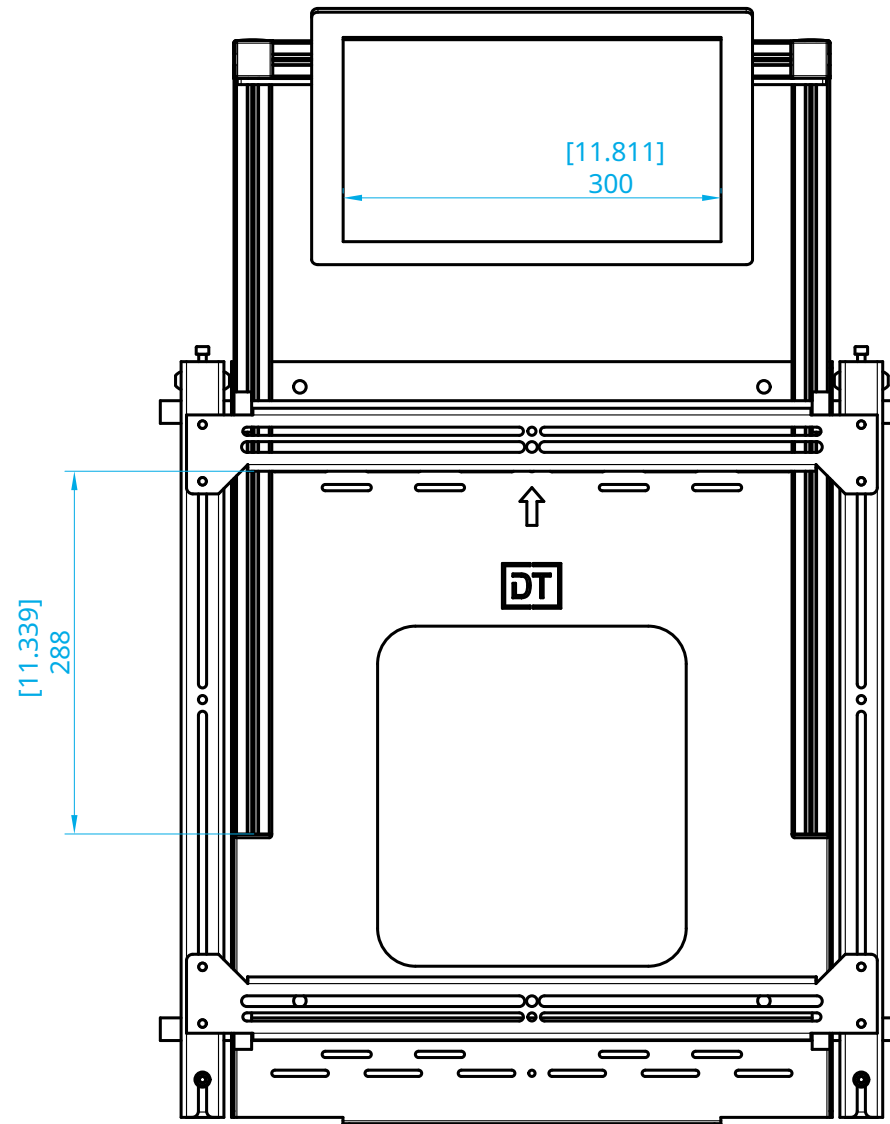
Fixing Locations



Universal Projector Mount Frame

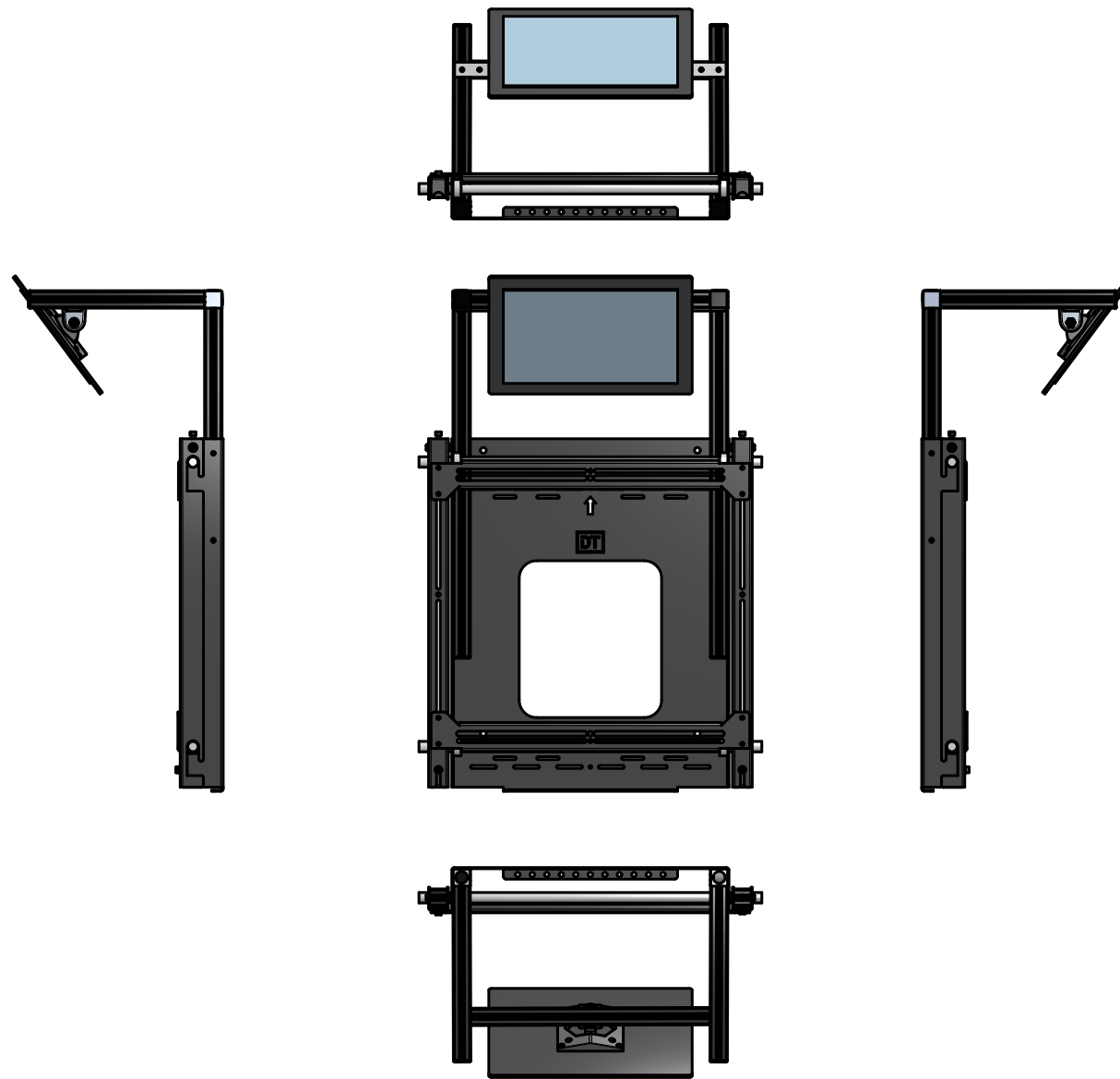


Note: Suitable for projector up to 50kg [110lbs]
Projector Maximum fixing hole spacing 440mm wide x 453mm -
M8 Max

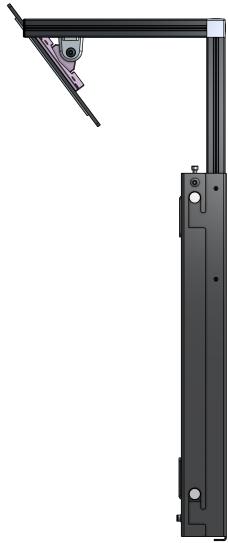


Mirror adjustment of 288mm from standard position as shown on drawing. This allows for adjustment in lens lengths or extended position to mirror. Ensure that image size on mirror is still possible especially on short throws with mirror extended. Mirror size 300mm x 200mm.

Mirror adjustment left to right +/- 100mm [4"] for projectors with offset lenses

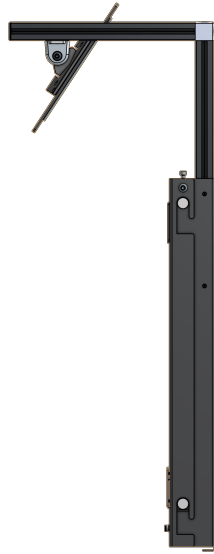


VMMv2 - CONFIGURATIONS



UP-RE

Lens Pointing Up -
Projector base facing
towards screen



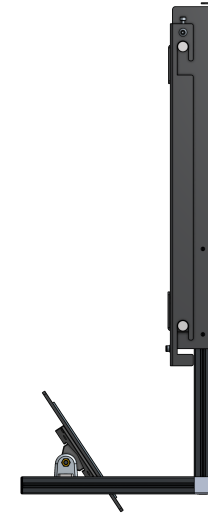
UP

Lens Pointing Up -
Projector base facing
away from screen



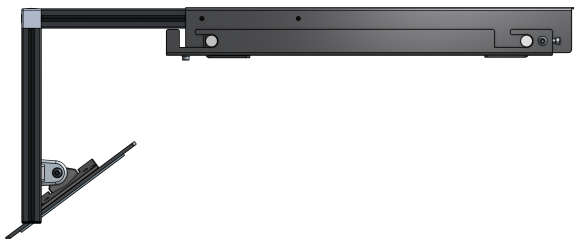
DOWN

Lens Pointing Down -
Projector base facing
away from screen



DOWN-RE

Lens Pointing Down -
Projector base facing
towards screen



CEILING

Ceiling mounted
projecting to the floor

Note

All configurations are possible from the same VMMv2 SKU and just dependant on installation.

Not to Scale