



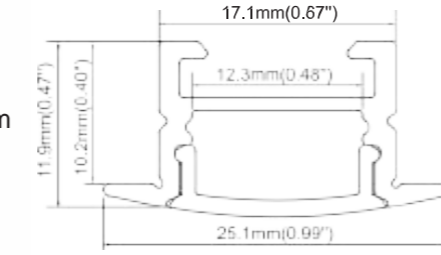
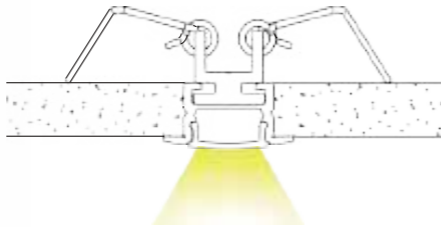


LIGHT
WALLS

LW-ALP-143

Types of installation: 

Material: Extruded aluminum
Dimension: 25.1x11.9mm
Length: MAX 5m

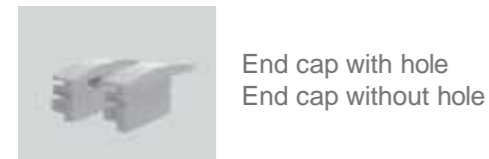




FINISH

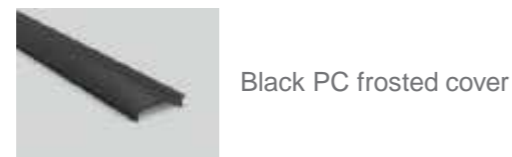
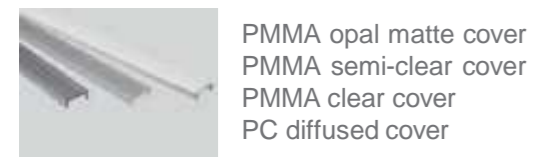
Anod. aluminum white Black

CE R20

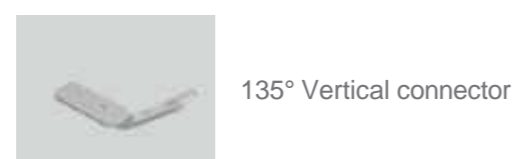
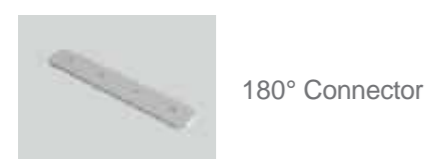
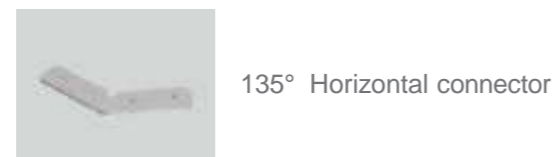
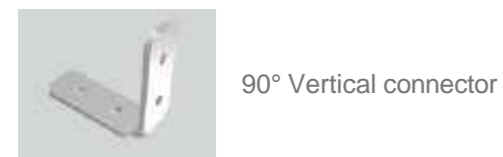
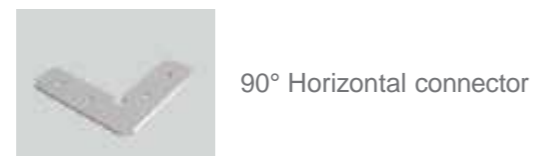
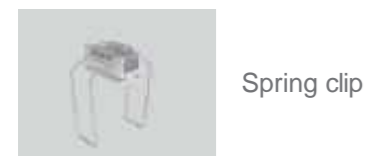
END CAPS



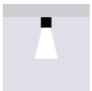
DIFFUSERS



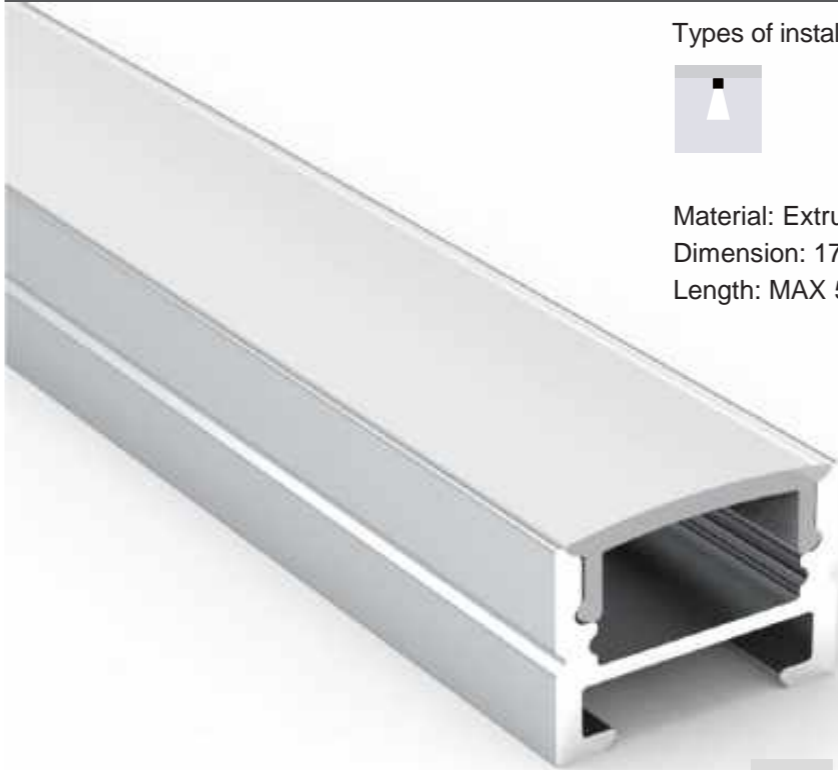
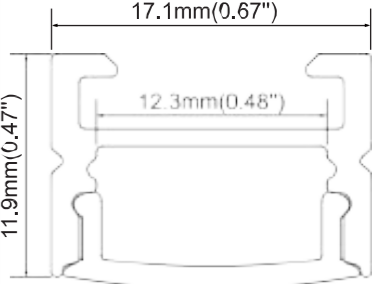
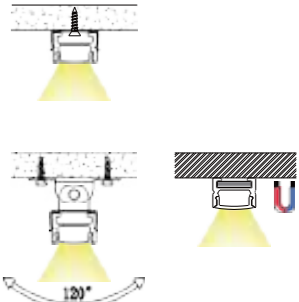
ACCESSORIES



LW-ALP-144

Types of installation: 

Material: Extruded aluminum
Dimension: 17.1x11.9mm
Length: MAX 5m

FINISH

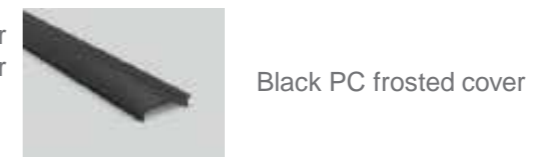
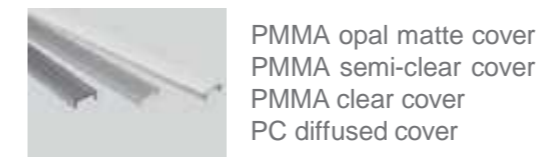
Anod. aluminum white Black

CE R20

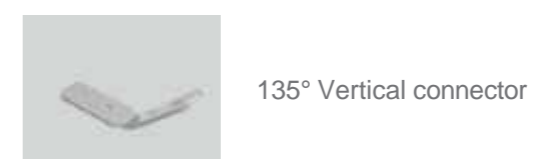
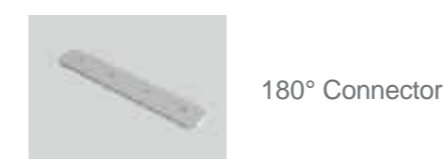
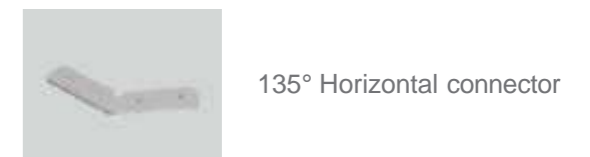
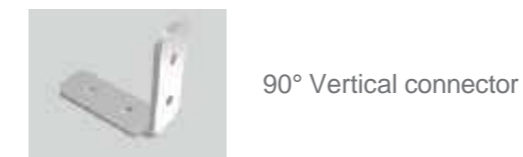
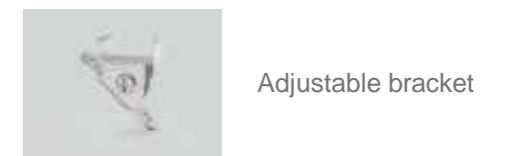
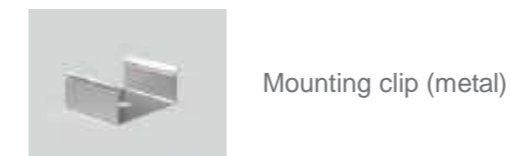
END CAPS




DIFFUSERS



ACCESSORIES





LW-ALP-145

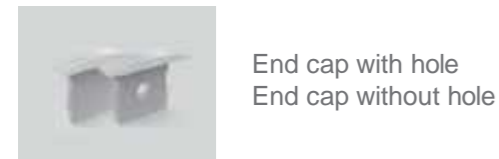
Types of installation: 

Material: Extruded aluminum
Dimension: 17.1x18.5mm
Length: MAX 5m

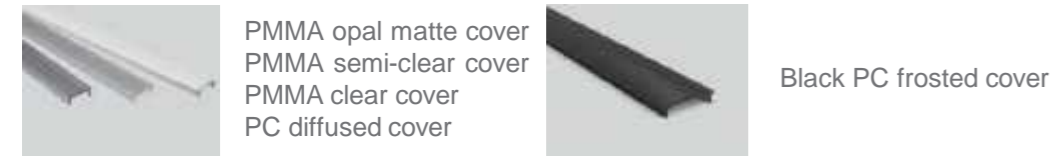
CE **R20**



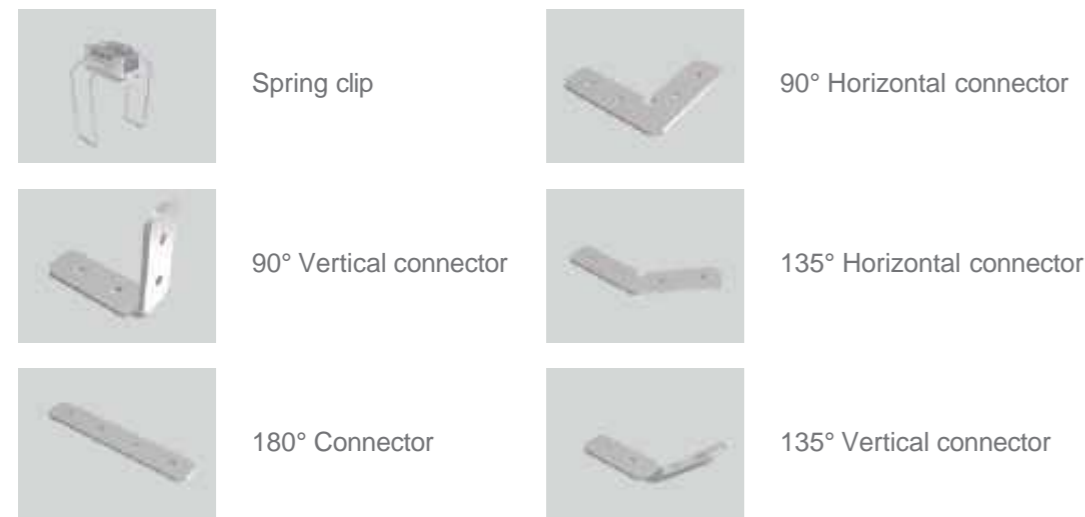
END CAPS



DIFFUSERS



ACCESSORIES



FINISH




LW-ALP-146

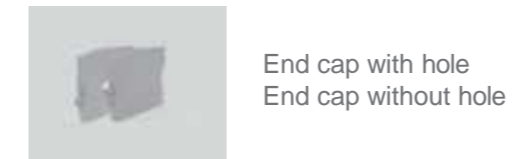
Types of installation: 

Material: Extruded aluminum
Dimension: 17.1x18.5mm
Length: MAX 5m

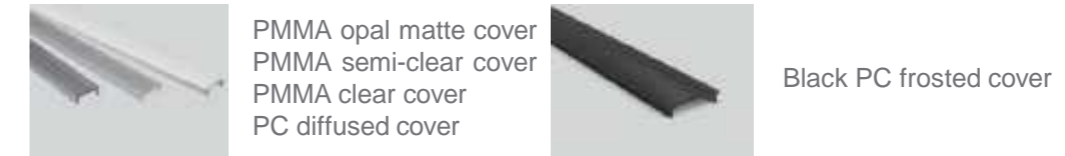
CE **R20**



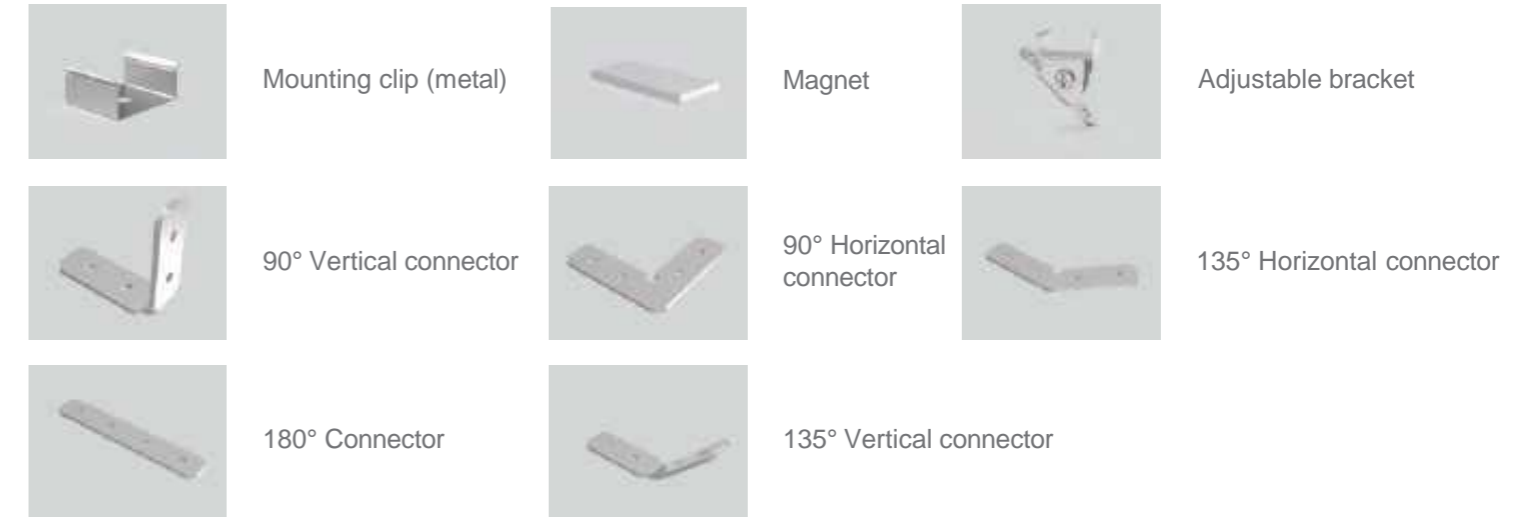
END CAPS



DIFFUSERS



ACCESSORIES



FINISH





Types of installation:



Material: Extruded aluminum
Dimension: 23.2x8mm
Length: MAX 5m



END CAPS



End cap with hole
End cap without hole

DIFFUSERS



PMMA opal matte cover
PMMA semi-clear cover
PMMA clear cover
PC diffused cover



Black PC frosted cover

INSTAIIATION STEPS



step 01



step 02



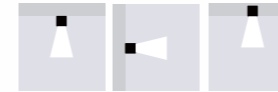
step 03



step 04



Types of installation:



Material: Extruded aluminum
Dimension: 17.1x8mm
Length: MAX 5m

END CAPS



End cap with hole
End cap without hole

DIFFUSERS



PMMA opal matte cover
PMMA semi-clear cover
PMMA clear cover
PC diffused cover



Black PC frosted cover

ACCESSORIES



Mounting clip (metal)



Mounting clip (pc)



90° Connector



180° Connector



Adjustable bracket




FINISH

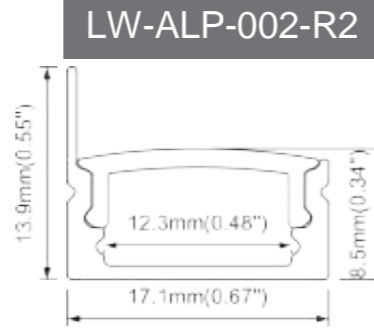


Anod. aluminum white Black






LW-ALP-002-R2



Types of installation:



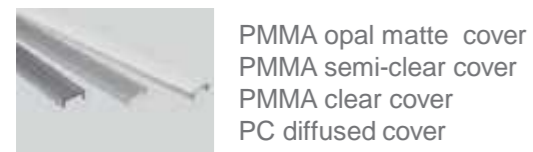
Material: Extruded aluminum
Dimension: 17.1x13.6mm
Length: MAX 5m

CE R20

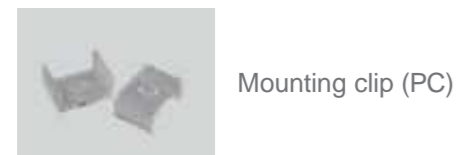
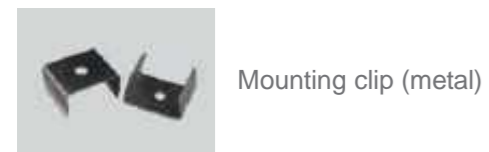
END CAPS



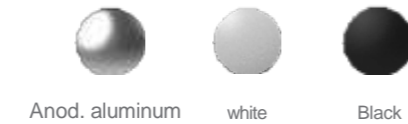
DIFFUSERS



ACCESSORIES



FINISH




LW-ALP-002-M



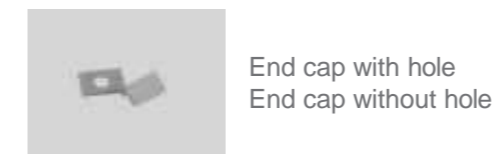
Types of installation:



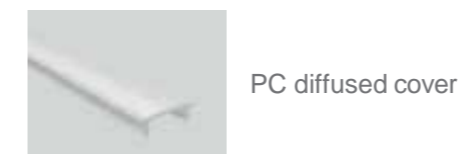
Material: Extruded aluminum
Dimension: 12.9x7mm
Length: MAX 5m

CE R20

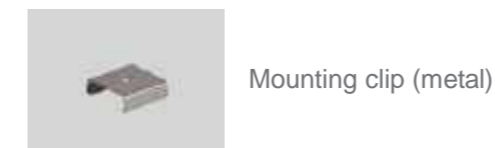
END CAPS



DIFFUSERS



ACCESSORIES



FINISH





LW-ALP-002-RL

Types of installation:



Material: Extruded aluminum
Dimension: 17.1x13.4mm
Length: MAX 5m

END CAPS



End cap with hole
End cap without hole

DIFFUSERS



PMMA opal matte cover
PMMA semi-clear cover
PMMA clear cover
60 degrees cover



PC diffused cover

ACCESSORIES



Mounting clip (metal)



Mounting clip (PC)



180° Connector



FINISH



Anod. aluminum white Black



LW-AL-P004-RL

Types of installation:



Material: Extruded aluminum
Dimension: 17.1x20mm
Length: MAX 5m

END CAPS



End cap with hole
End cap without hole

DIFFUSERS



PMMA opal matte cover
PMMA semi-clear cover
PMMA clear cover
15 degrees cover



PC diffused cover

ACCESSORIES



Mounting clip (metal)



Mounting clip (PC)



180° Connector



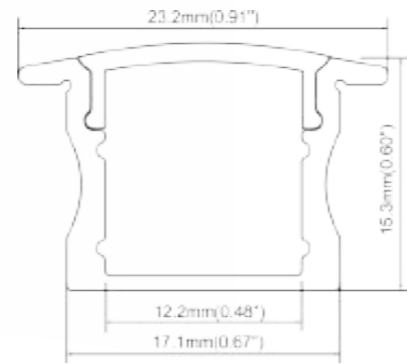
FINISH



Anod. aluminum white Black



LW-ALP-003-R



Types of installation:



Material: Extruded aluminum
Dimension: 23.2x15.3mm
Length: MAX 5m



END CAPS



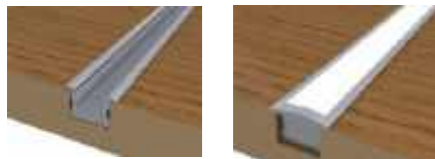
End cap with hole
End cap without hole

DIFFUSERS



PMMA opal matte cover
PMMA semi-clear cover
PMMA clear cover
PC diffused cover

INSTALLATION STEPS

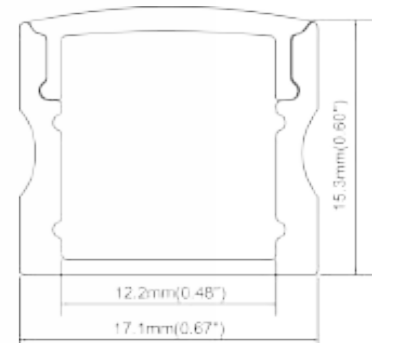


step 01

step 02



LW-ALP-004-R



Types of installation:



Material: Extruded aluminum
Dimension: 17.1x15.3mm
Length: MAX 5m

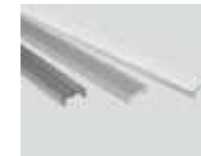


END CAPS



End cap with hole
End cap without hole

DIFFUSERS



PMMA opal matte cover
PMMA semi-clear cover
PMMA clear cover
PC diffused cover

FINISH



ACCESSORIES



Mounting clip(metal)



Mounting clip (PC)



Adjustable bracket



90° Connector

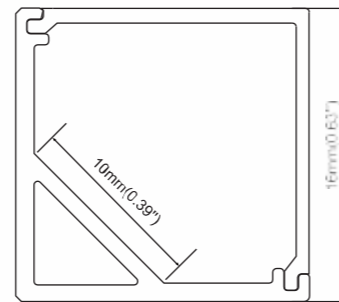


180° Connector





LW-ALP-005



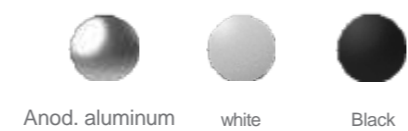
Types of installation:



Material: Extruded aluminum
Dimension: 16x16mm
Length: MAX 5m



FINISH



END CAPS



End cap with hole
End cap without hole

DIFFUSERS



PMMA opal matte cover
PMMA semi-clear cover
PC diffused cover

DIFFUSERS



Mounting clip (PC)



Mounting clip (metal)

INSTALLATION STEPS



step 01



step 02



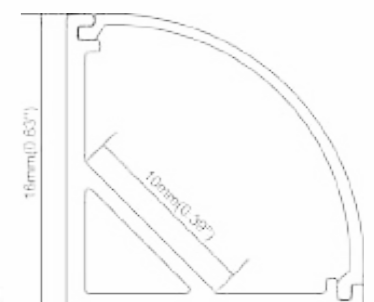
step 03



step 04



LW-ALP-006



Types of installation:



Material: Extruded aluminum
Dimension: 16x16mm
Length: MAX 5m

END CAPS



End cap with hole
End cap without hole



DIFFUSERS



PMMA opal matte cover
PMMA semi-clear cover
PC diffused cover



Black PC frosted cover

FINISH



ACCESSORIES



Mounting clip (metal)



Mounting clip (PC)





LW-ALP-007-R

Types of installation:



Material: Extruded aluminum
Dimension: 18.4x18.4mm
Length: MAX 5m

END CAPS



End cap with hole
End cap without hole

DIFFUSERS



PMMA opal matte cover
PMMA semi-clear cover
PMMA clear cover
PC diffused cover



Black PC frosted cover

ACCESSORIES



Mounting clip (metal)



Mounting clip (PC)



FINISH

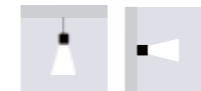


Anod. aluminum white Black

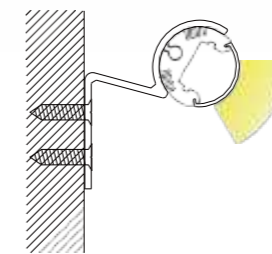


LW-ALP-008

Types of installation:



Material: Extruded aluminum
Dimension: \varnothing 20.8mm
Length: MAX 5m



FINISH



Anod. aluminum white Black

END CAPS



End cap with hole
End cap without hole

DIFFUSERS



PMMA opal matte cover
PMMA semi-clear cover
PC diffused cover

ACCESSORIES



Mounting clip (metal)



Steel wire



LW-ALP-010

Types of installation:

Material: Extruded aluminum
Dimension: 19.6x20.1mm
Length: MAX 5m

END CAPS

End cap with hole
End cap without hole

DIFFUSERS

PMMA opal matte cover
PMMA semi-clear cover
PC diffused cover

FINISH

Anod. aluminum white Black

CE R20

END CAPS

End cap with hole
End cap without hole

DIFFUSERS

PMMA opal matte cover
PMMA semi-clear cover
PC diffused cover

INSTAIIATION STEPS

step 01 step 02
step 03 step 04
step 04 step 05



LW-ALP-011

Types of installation:

Material: Extruded aluminum
Dimension: 19.6x20mm
Length: MAX 5m

END CAPS

End cap with hole
End cap without hole

DIFFUSERS

PMMA opal matte cover
PMMA semi-clear cover
PMMA clear cover
PC diffused cover

FINISH

Anod. aluminum white Black

CE R20

DIFFUSERS

PMMA opal matte cover
PMMA semi-clear cover
PMMA clear cover
PC diffused cover

LW-ALP-012

Types of installation:

Material: Extruded aluminum
Dimension: 19.6x16mm
Length: MAX 5m

END CAPS

End cap with hole
End cap without hole

DIFFUSERS

PMMA clear cover

FINISH

Anod. aluminum white Black

CE R20

LW-ALP-027



Types of installation:



Material: Extruded aluminum
Dimension: 20.3x27mm
Length: MAX 5m

CE R20

FINISH



Anod. aluminum white Black

END CAPS



End cap with hole
End cap without hole

DIFFUSERS



PMMA opal matte cover
PMMA semi-clear cover
PC diffused cover

ACCESSORIES



Metal clip Steel wire



27mm(1.06")
16mm
16.7mm(0.66")
20.3mm(0.80")

LW-ALP-028



Types of installation:



Material: Extruded aluminum
Dimension: 20.3x27mm
Length: MAX 5m

CE R20

FINISH



Anod. aluminum white Black

END CAPS



End cap with hole
End cap without hole

DIFFUSERS



PMMA opal matte cover
PMMA semi-clear cover
PC diffused cover

ACCESSORIES




Metal clip Steel wire




27mm(1.06")
16mm
16.7mm(0.66")
20.3mm(0.80")

LW-ALP-029




Types of installation:



Material: Extruded aluminum
Dimension: 20.3x36.5mm
Length: MAX 5m


CE R20

FINISH



Anod. aluminum white Black

END CAPS



End cap without hole

DIFFUSERS



PC diffused cover

ACCESSORIES




Metal clip Steel wire



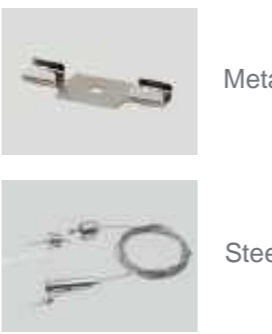
36.5mm(1.44")
20.3mm(0.80")
16.7mm(0.66")
20.3mm(0.80")

DIFFUSERS




PMMA opal matte cover
PMMA semi-clear cover
PC diffused cover

ACCESSORIES



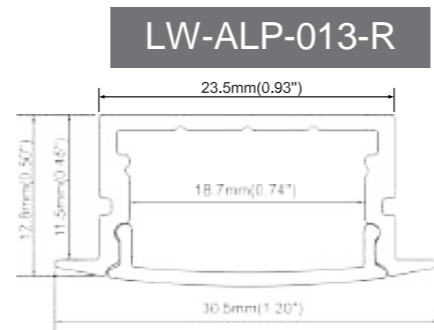
Metal clip Steel wire



Types of installation:



Material: Extruded aluminum
Dimension: 30.5x12.8mm
Length: MAX 5m



FINISH



Anod. aluminum white Black

END CAPS



End cap with hole
End cap without hole

DIFFUSERS



PMMA opal matte cover
PMMA semi-clear cover
PMMA clear cover
PC diffused cover



Black PC frosted cover

ACCESSORIES



Spring clip



Mounting clip (metal)

LW-ALP-014-R

Types of installation:



Material: Extruded aluminum
Dimension: 23.5x12.8mm
Length: MAX 5m

END CAPS



End cap with hole
End cap without hole

DIFFUSERS



PMMA opal matte cover
PMMA semi-clear cover
PMMA clear cover
PC diffused cover



Black PC frosted cover

ACCESSORIES



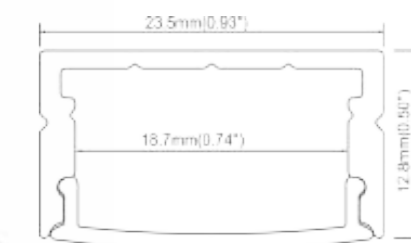
Mounting clip (PC)



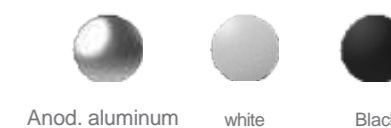
Mounting clip (metal)



Adjustable bracket



FINISH



Anod. aluminum white Black



LW-ALP-013

Types of installation:

Material: Extruded aluminum
Dimension: 30.5x10mm
Length: MAX 5m

CE R20

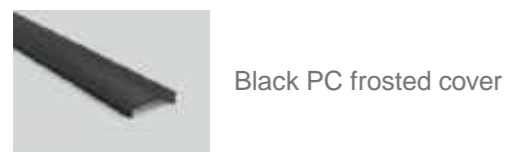
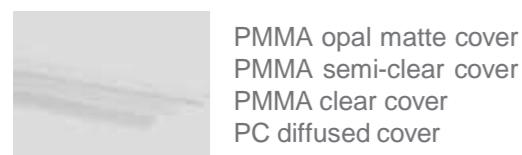
FINISH

- Anod. aluminum
- white
- Black

END CAPS



DIFFUSERS



LW-ALP-014

Types of installation:

Material: Extruded aluminum
Dimension: 23.5x10mm
Length: MAX 5m

CE R20

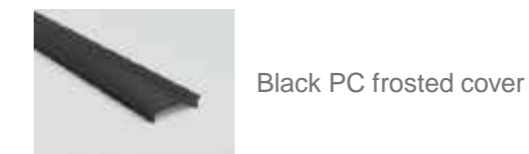
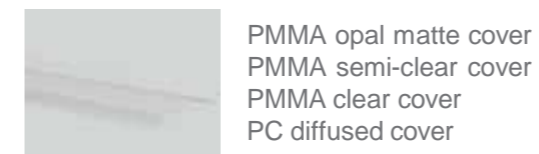
FINISH

- Anod. aluminum
- white
- Black

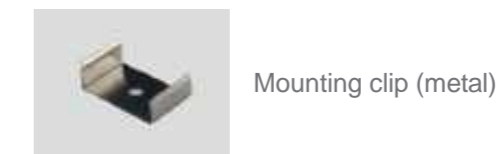
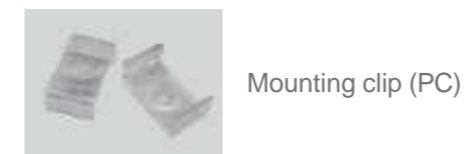
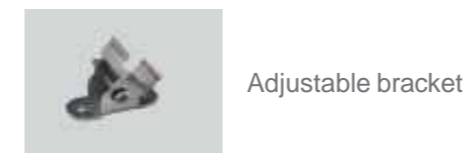
END CAPS



DIFFUSERS



ACCESSORIES

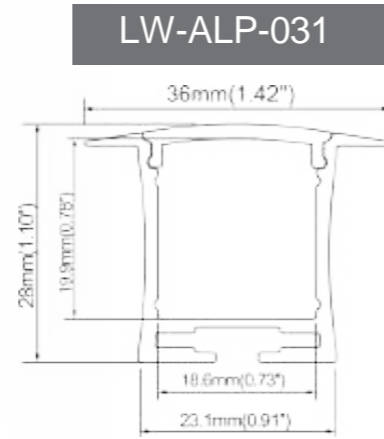




Types of installation:



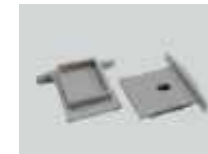
Material: Extruded aluminum
Dimension: 36x28mm
Length: MAX 5m



FINISH



END CAPS



End cap with hole
End cap without hole

DIFFUSERS



PMMA opal matte cover
PMMA semi-clear cover
PMMA clear cover
PC diffused cover



Black PC frosted cover

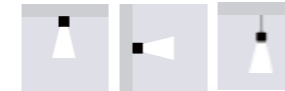
ACCESSORIES



Spring clip



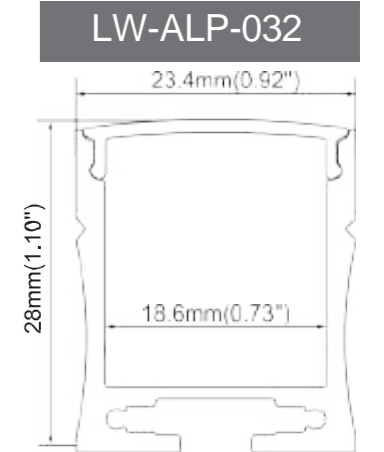
Types of installation:



Material: Extruded aluminum
Dimension: 23.4x28mm
Length: MAX 5m



FINISH



END CAPS



End caps

DIFFUSERS



PMMA opal matte cover
PMMA semi-clear cover
PMMA clear cover
PC diffused cover



Black PC frosted cover

ACCESSORIES



Steel wire



Mounting clip (metal)





LW-ALP-015-R

Types of installation:



Material: Extruded aluminum
Dimension: 30x30mm
Length: MAX 5m



FINISH



END CAPS



End cap with hole
End cap without hole

DIFFUSERS



PMMA opal matte cover
PMMA semi-clear cover

ACCESSORIES



Mounting clip (metal)



LW-ALP-016-R

Types of installation:



Material: Extruded aluminum
Dimension: 30x30mm
Length: MAX 5m



FINISH



END CAPS



End cap with hole
End cap without hole

DIFFUSERS



PMMA opal matte cover
PMMA semi-clear cover
PC diffused cover

ACCESSORIES



Mounting clip (metal)



90° Joining connector



180° Joining connector

LW-ALP-021

Types of installation:

Material: Extruded aluminum
Dimension: 56.7×9.8mm
Length: MAX 5m

CE R20

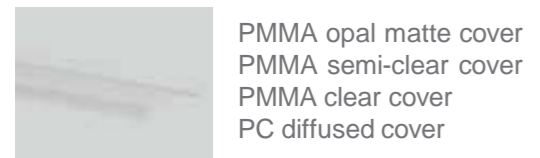
FINISH

Anod. aluminum white Black

END CAPS



DIFFUSERS



LW-ALP-077

Types of installation:

Material: Extruded aluminum
Dimension: φ33mm
Length: MAX 5m

CE R20

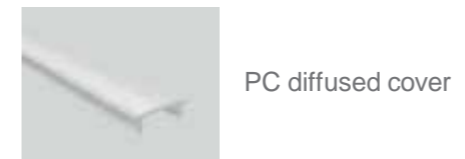
FINISH

Anod. aluminum white Black

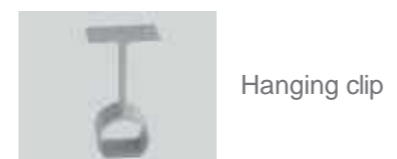
END CAPS



DIFFUSERS



ACCESSORIES





Types of installation:



Material: Extruded aluminum
Dimension: 17.1x15mm
Length: MAX 5m

LW-ALP-043



15mm(0.60")
13.2mm(0.52")
17.1mm(0.67")

Types of installation:



Material: Extruded aluminum
Dimension: 17.1x15mm
Length: MAX 5m

END CAPS



End cap with hole
End cap without hole


CE R20

FINISH



Anod. aluminum white Black

ACCESSORIES



Mounting clip (metal)

DIFFUSERS



PMMA opal matte cover
PMMA semi-clear cover
PMMA clear cover
PC diffused cover



Black PC frosted cover



Types of installation:



Material: Extruded aluminum
Dimension: 26x33mm
Length: MAX 5m

LW-ALP-044-PC-R



33mm(1.30")
22.2mm(0.87")
26mm(1.02")
21.8mm(0.86")

Types of installation:



Material: Extruded aluminum
Dimension: 26x33mm
Length: MAX 5m

Types of installation:



Material: Extruded aluminum
Dimension: 26x33mm
Length: MAX 5m

END CAPS



End cap with hole
End cap without hole

CE R20

FINISH



Anod. aluminum white Black

ACCESSORIES



Mounting clip (metal)

DIFFUSERS




PC diffused cover


ACCESSORIES



180° Joining connector 90° Joining connector

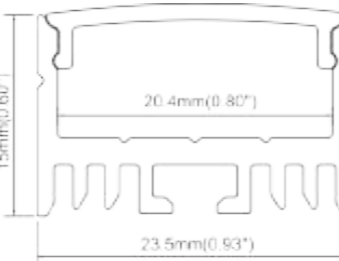


Types of installation:




Material: Extruded aluminum
Dimension: 23.5x15mm
Length: MAX 5m

LW-ALP-044




15mm(0.60")
20.4mm(0.80")
23.5mm(0.93")

Types of installation:



Material: Extruded aluminum
Dimension: 23.5x15mm
Length: MAX 5m


END CAPS



End cap with hole
End cap without hole


CE R20

FINISH



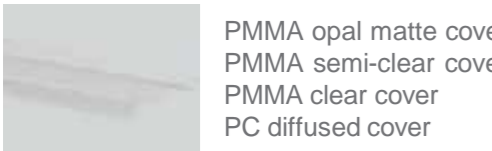
Anod. aluminum white Black

ACCESSORIES




Mounting clip (metal)

DIFFUSERS



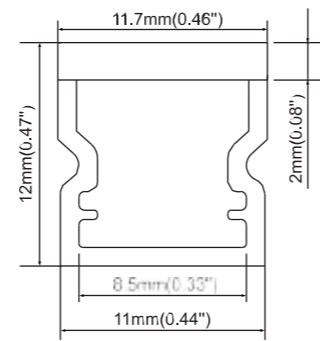
PMMA opal matte cover
PMMA semi-clear cover
PMMA clear cover
PC diffused cover



Black PC frosted cover



LW-ALP-025



Types of installation:



Material: PMMA
Dimension: 11.7x12mm
Length: MAX 5m



FINISH



white

END CAPS



End cap with hole
End cap without hole

ACCESSORIES



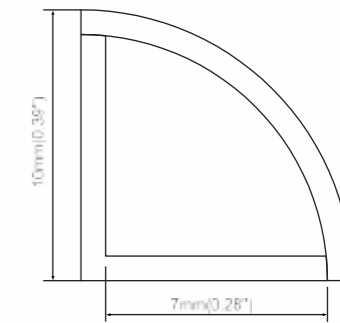
Mounting clip (metal)



Rigid LED light bar



LW-ALP-026



Types of installation:



Material: PMMA
Dimension: 10x10mm
Length: MAX 5m



FINISH



white

END CAPS



End cap with hole
End cap without hole

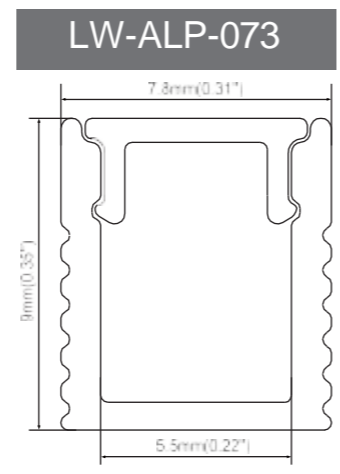
ACCESSORIES



Mounting clip (metal)



Rigid LED light bar



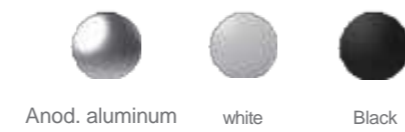
Types of installation:



Material: Extruded aluminum
Dimension: 7.8x9mm
Length: MAX 5m



FINISH



END CAPS



End cap with hole
End cap without hole

DIFFUSERS



PC diffused cover

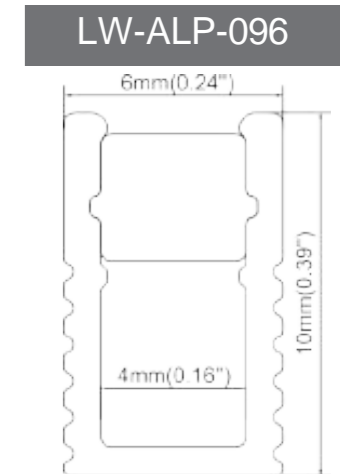


Black PC frosted cover

ACCESSORIES



Mounting clip (metal)



Types of installation:



Material: Extruded aluminum
Dimension: 6x10mm
Length: MAX 5m



FINISH



END CAPS



End cap with hole
End cap without hole

DIFFUSERS



Silicon cover

ACCESSORIES



3M tape 5mm wide

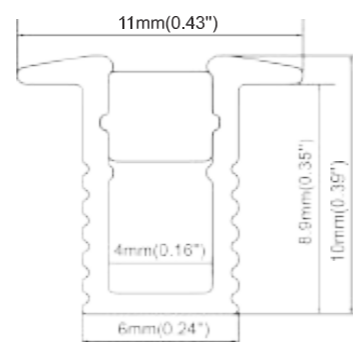
Types of installation:



Material: Extruded aluminum
Dimension: 11x10mm
Length: MAX 5 m



LW-ALP-097



FINISH

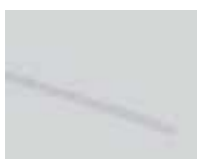


END CAPS



End cap with hole
End cap without hole

DIFFUSERS

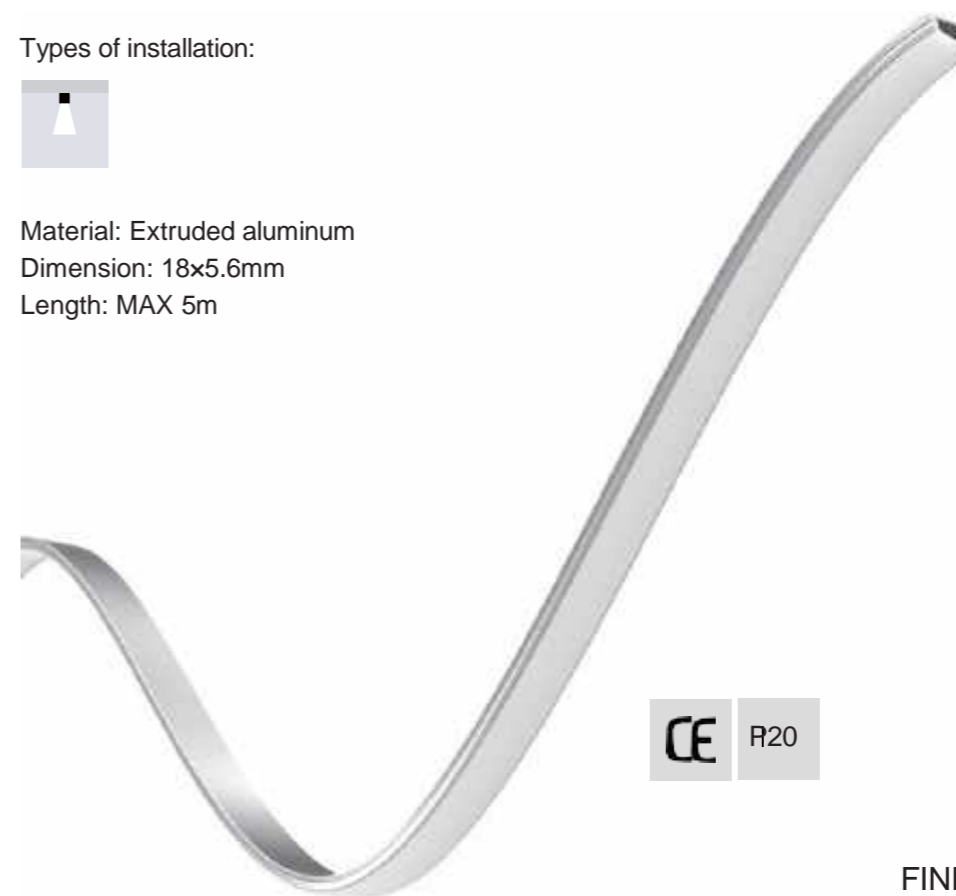


Silicon cover

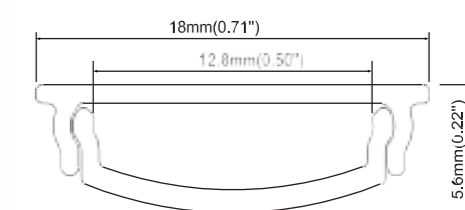
Types of installation:



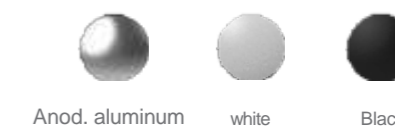
Material: Extruded aluminum
Dimension: 18x5.6mm
Length: MAX 5m



LW-ALP-114



FINISH



END CAPS



End cap with hole
End cap without hole

DIFFUSERS




PC diffused cover


ACCESSORIES



Mounting clip (metal)

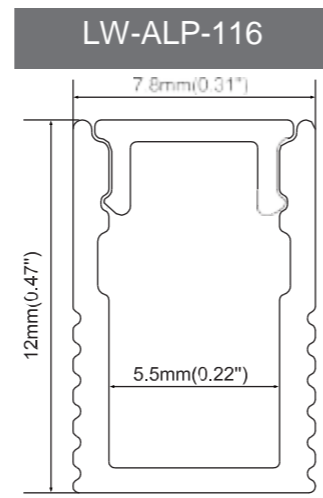


Types of installation:



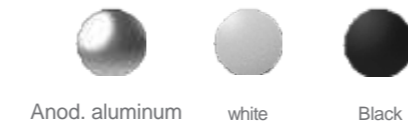
Material: Extruded aluminum
Dimension: 7.8x12mm
Length: MAX 5m

LW-ALP-116

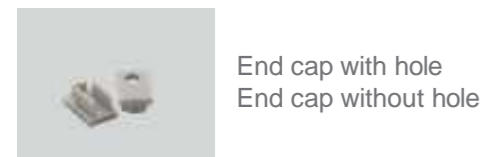


CE R20

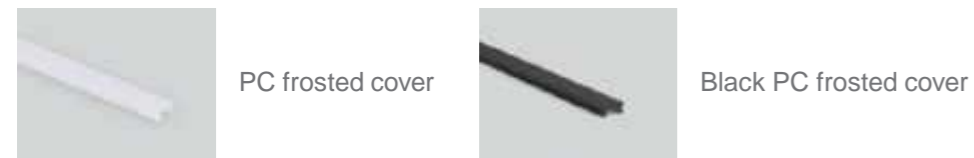
FINISH



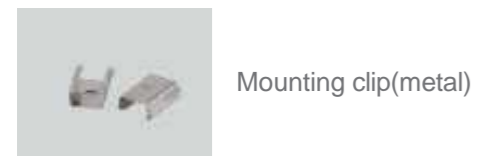

END CAPS



DIFFUSERS



ACCESSORIES

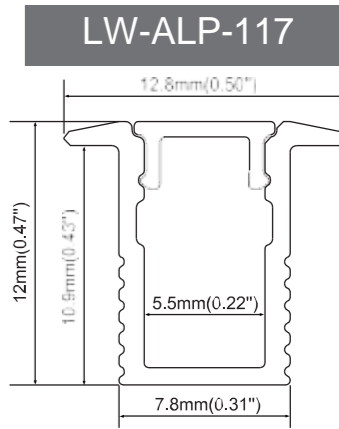



Types of installation:



Material: Extruded aluminum
Dimension: 12.8x12mm
Length: MAX 5m

LW-ALP-117

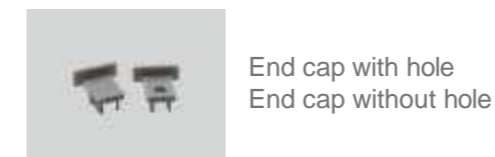


CE R20

FINISH



END CAPS

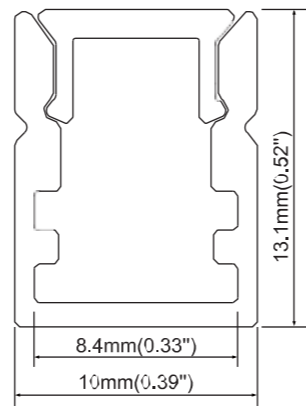


DIFFUSERS





LW-ALP-035-R



Types of installation:



Material: Extruded aluminum
Dimension: 10x13.1mm
Length: MAX 5m



END CAPS



End cap with hole
End cap without hole

DIFFUSERS



PMMA diffused cover



Black PC frosted cover

ACCESSORIES

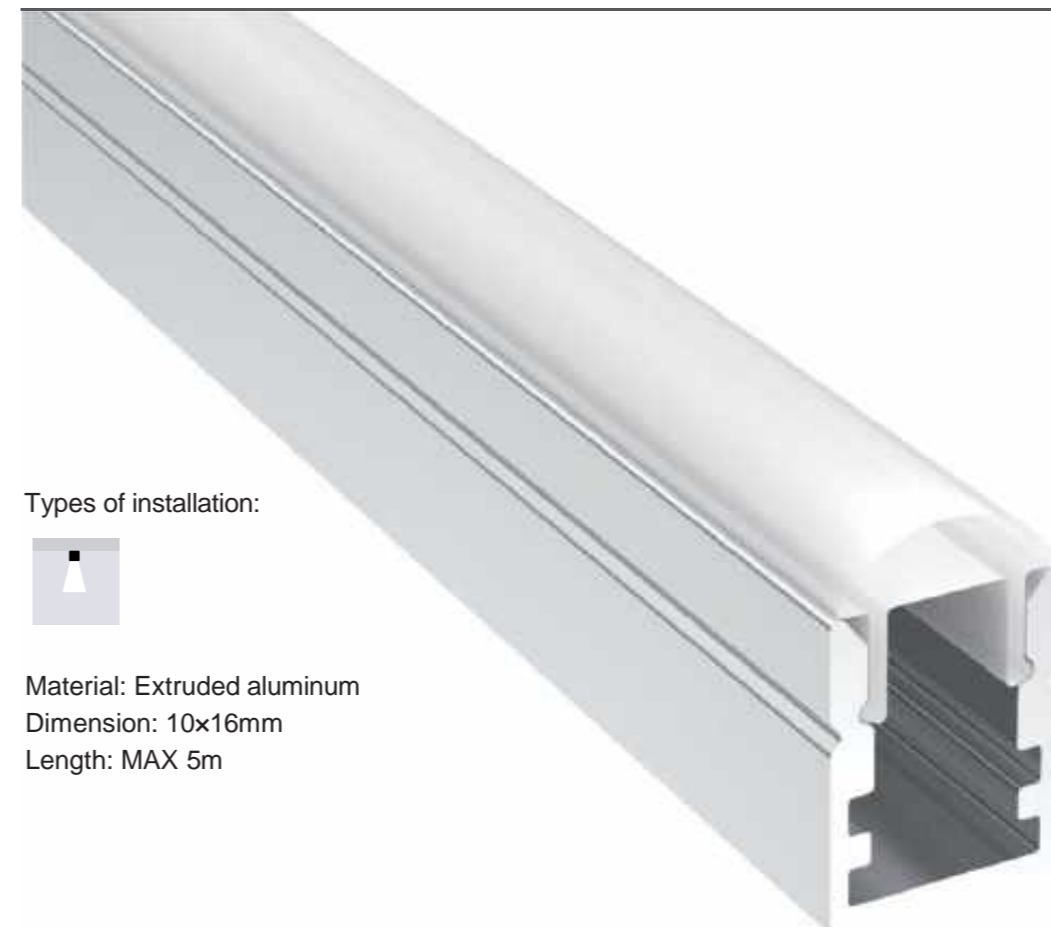


Mounting clip (metal)

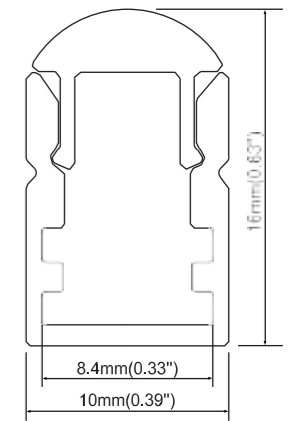
FINISH



Anod. aluminum white Black



LW-ALP-035-RL



Types of installation:



Material: Extruded aluminum
Dimension: 10x16mm
Length: MAX 5m



END CAPS



End cap with hole

End cap without hole

DIFFUSERS



PMMA frosted 15 degrees

ACCESSORIES



Mounting clip (metal)

FINISH



Anod. aluminum white Black

LW-ALP-119

Types of installation:

Material: Extruded aluminum
Dimension: 10x12mm
Length: MAX 5m

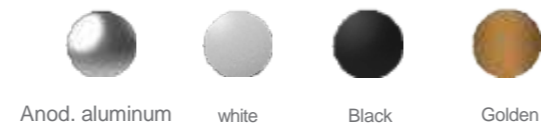
CE R20

10mm(0.39")
8.2mm(0.32")
12mm(0.47")

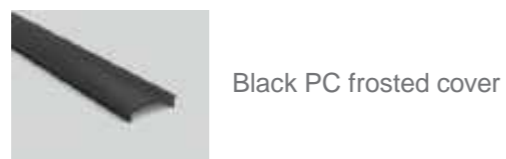
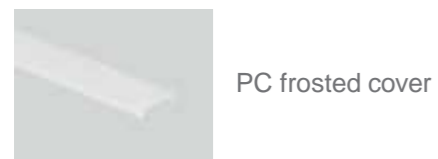
END CAPS



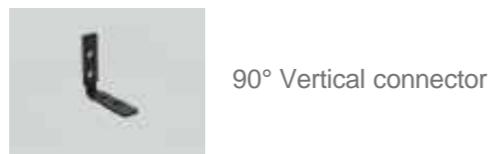
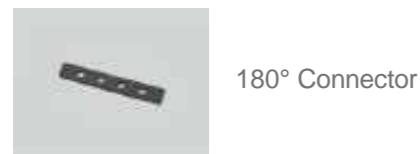
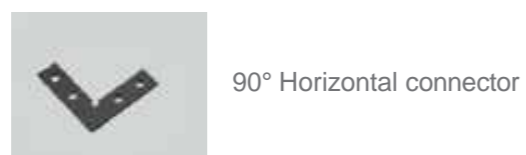
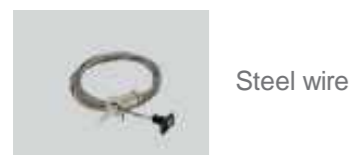
FINISH



DIFFUSERS



ACCESSORIES



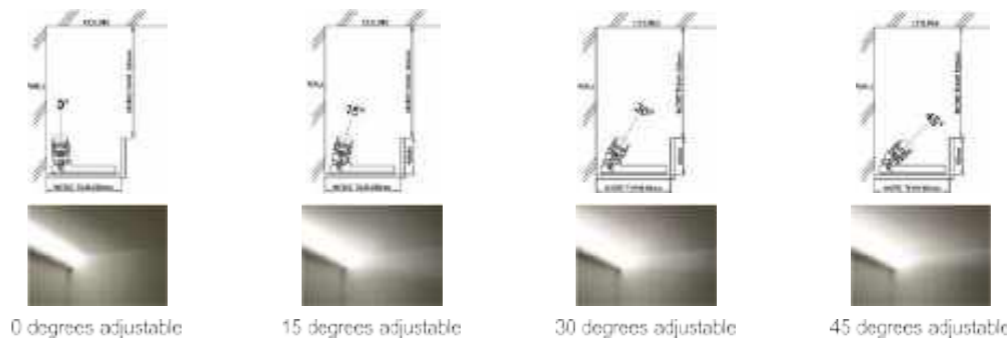
LW-ALP-140

Types of installation:

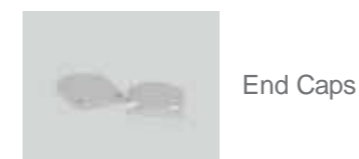
Material: Extruded aluminum
Dimension: 17.1x20mm
Length: MAX 5m

CE R20

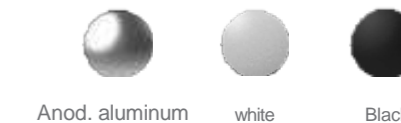
17.1mm(0.67")
10.2mm
14.5mm(0.57")
20mm(0.79")
15°
17.1mm(0.67")
10.4mm
14.5mm(0.57")
19.1mm(0.75")
30°
17.1mm(0.67")
8.4mm
14.4mm(0.57")
20mm(0.79")
60°



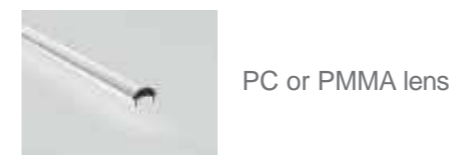
END CAPS



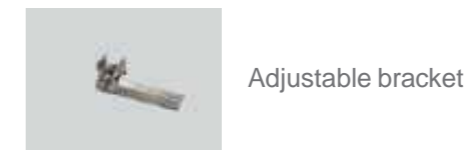
FINISH



DIFFUSERS



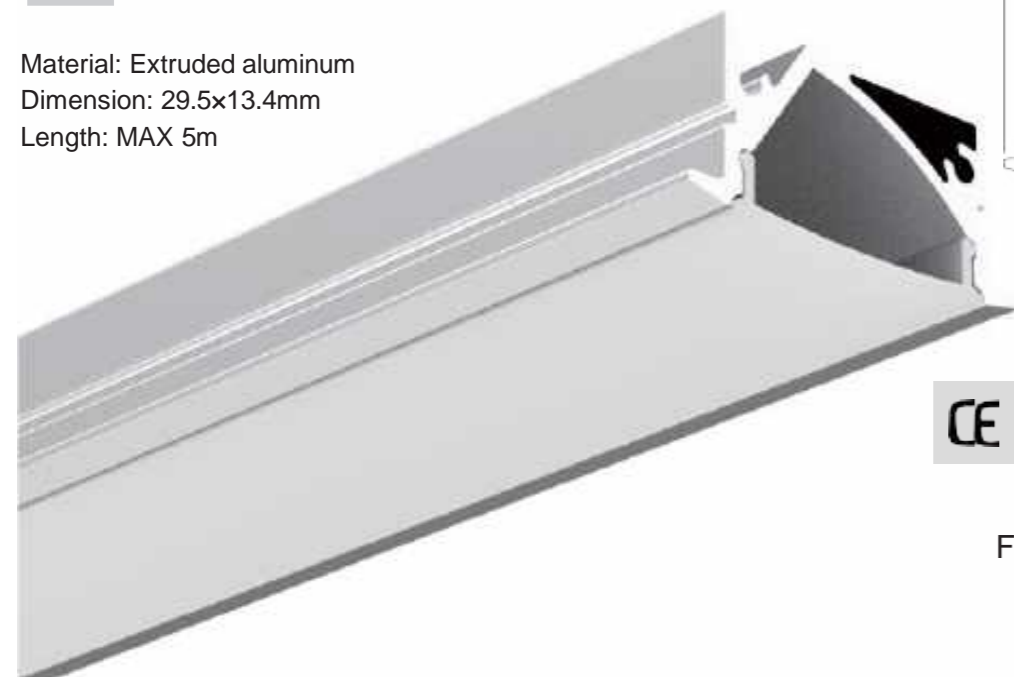
ACCESSORIES



Types of installation:



Material: Extruded aluminum
Dimension: 29.5x13.4mm
Length: MAX 5m



LW-ALP-100



FINISH



END CAPS



End Caps

DIFFUSERS



PC diffused cover

ACCESSORIES



Spring clip

Types of installation:



Material: Extruded aluminum
Dimension: 36.1x18.5mm
Length: MAX 5m



LW-ALP-099



FINISH



END CAPS



End cap with hole
End cap without hole

DIFFUSERS



PC diffused cover

ACCESSORIES



3M tape 10mm wide



LW-AL-P039

Types of installation:




Material: Extruded aluminum
Dimension: 18x16.2mm
Length: MAX 5m



16.2mm(0.64")
13mm(0.51")
18mm(0.71")

CE R20

END CAPS




End cap with hole
End cap without hole

FINISH




Anod. aluminum white Black

DIFFUSERS



PMMA opal matte
PMMA semi clear

ACCESSORIES



Mounting clip (metal)



LW-ALP-039-30

Types of installation:




Material: Extruded aluminum
Dimension: 18x15.2mm
Length: MAX 5m



15.2mm(0.60")
13mm(0.51")
18mm(0.71")

CE R20

END CAPS




End cap with hole
End cap without hole

FINISH




Anod. aluminum white Black

DIFFUSERS



30 degrees lens
PMMA semi clear

ACCESSORIES



Mounting clip (metal)



LW-ALP-039-60

Types of installation:




Material: Extruded aluminum
Dimension: 18x15.3mm
Length: MAX 5m



15.3mm(0.60")
13mm(0.51")
18mm(0.71")

CE R20

END CAPS




End cap with hole
End cap without hole

FINISH




Anod. aluminum white Black

DIFFUSERS



60 degrees lens
PMMA semi clear

ACCESSORIES



Mounting clip (metal)



LW-ALP-039-90

Types of installation:




Material: Extruded aluminum
Dimension: 18x14mm
Length: MAX 5m



14mm(0.55")
13mm(0.51")
18mm(0.71")

CE R20

END CAPS




End cap with hole
End cap without hole

FINISH




Anod. aluminum white Black

DIFFUSERS



90 degrees lens
PMMA semi clear

ACCESSORIES



Mounting clip (metal)



LW-ALP-040

Types of installation:



Material: Extruded aluminum
Dimension: 20.3x23.5mm
Length: MAX 5m



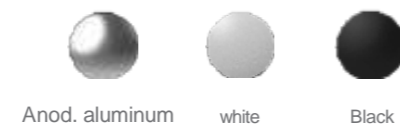
20.3mm(0.80")
23.5mm(0.93")
13mm(0.51")

CE R20

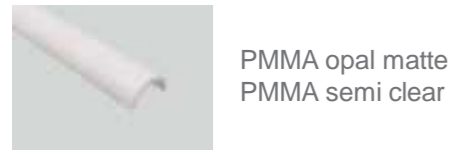
END CAPS



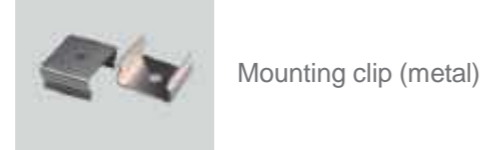
FINISH



DIFFUSERS



ACCESSORIES




LW-ALP-040-30

Types of installation:



Material: Extruded aluminum
Dimension: 19.9x22.3mm
Length: MAX 5m



19.9mm(0.78")
22.3mm(0.88")
13mm(0.51")

CE R20

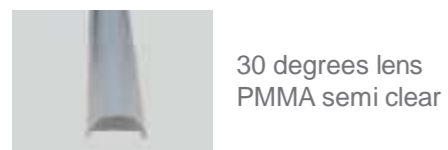
END CAPS



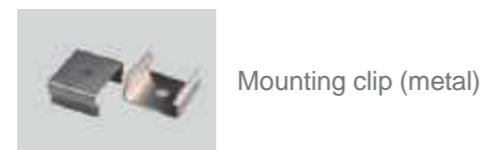

FINISH



DIFFUSERS




ACCESSORIES

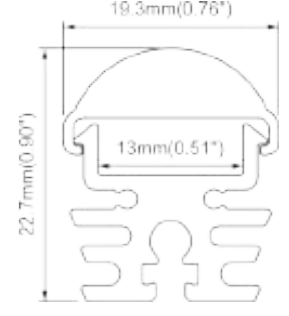



LW-ALP-040-60

Types of installation:



Material: Extruded aluminum
Dimension: 19.3x22.7mm
Length: MAX 5m



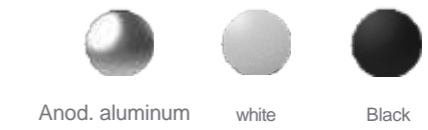
19.3mm(0.76")
22.7mm(0.90")
13mm(0.51")

CE R20

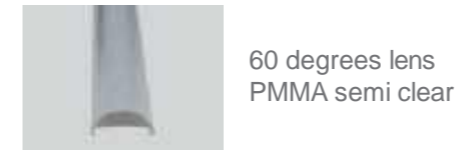
END CAPS



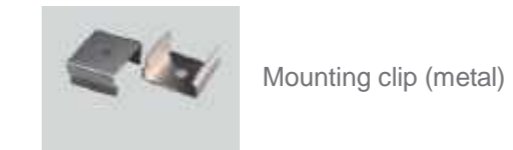
FINISH



DIFFUSERS



ACCESSORIES




LW-ALP-040-90

Types of installation:



Material: Extruded aluminum
Dimension: 19.7x21.5mm
Length: MAX 5m



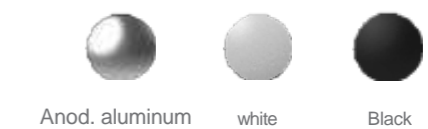
19.7mm(0.77")
21.5mm(0.85")
13mm(0.51")

CE R20

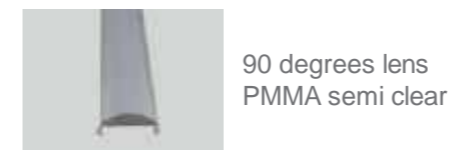
END CAPS



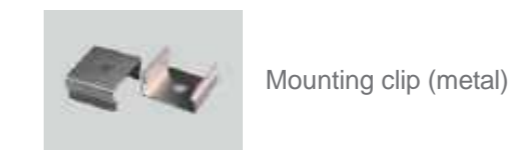
FINISH

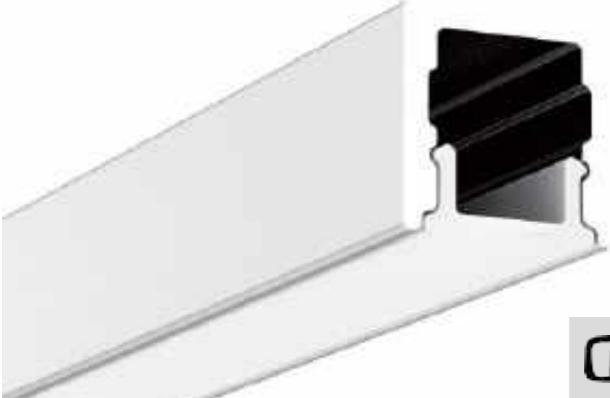


DIFFUSERS




ACCESSORIES



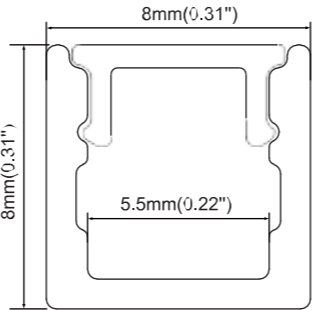


Types of installation:

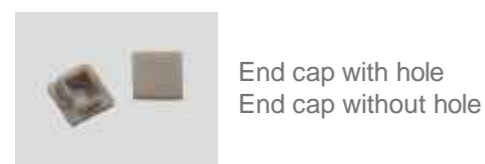


Material: Extruded aluminum
Dimension: 8x8mm
Length: MAX 5m

LW-ALP-134



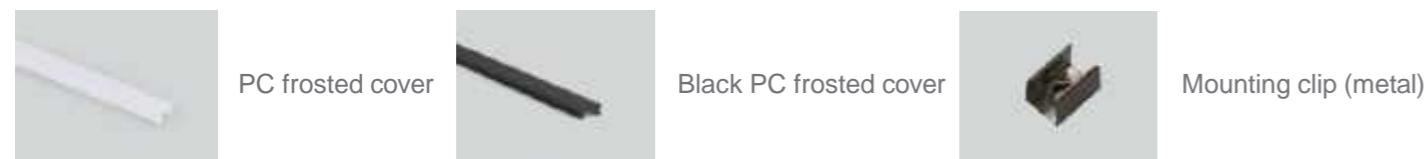
END CAPS



FINISH



ACCESSORIES




Types of installation:

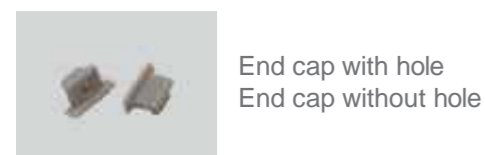


Material: Extruded aluminum
Dimension: 8x13mm
Length: MAX 5m

LW-ALP-135



END CAPS



FINISH



ACCESSORIES




Types of installation:

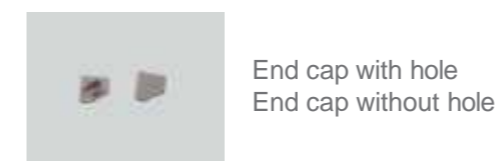


Material: Extruded aluminum
Dimension: 10x10mm
Length: MAX 5m

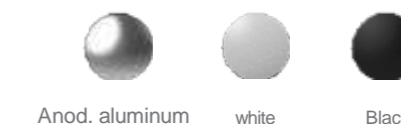
LW-ALP-136



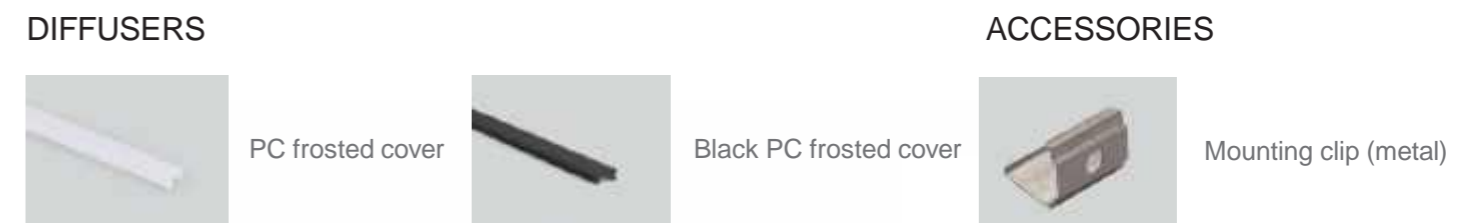
END CAPS



FINISH



ACCESSORIES




Types of installation:

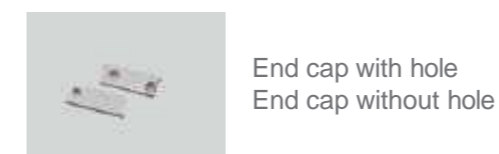


Material: Extruded aluminum
Dimension: 22.2x8mm
Length: MAX 5m

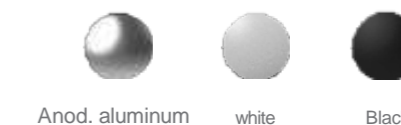
LW-ALP-137



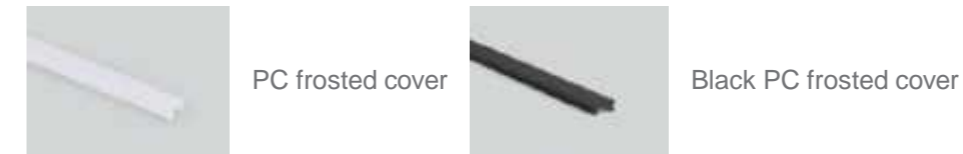
END CAPS



FINISH



DIFFUSERS



LW-ALP-138

Types of installation:

Material: Extruded aluminum
Dimension: 25x14mm
Length: MAX 5m

CE R20

FINISH

Anod. aluminum white Black

END CAPS

End cap with hole
End cap without hole

DIFFUSERS

PC diffused cover

LW-ALP-139

Types of installation:

Material: Extruded aluminum
Dimension: 19x12mm
Length: MAX 5m

CE R20

FINISH

Anod. aluminum white Black

END CAPS

End cap with hole
End cap without hole

DIFFUSERS

PC diffused cover

ACCESSORIES

Mounting clip (metal)

ALW-LP1-80

Types of installation:

Material: Extruded aluminum
Dimension: 27.9x20.4mm
Length: MAX 5m

CE R20

FINISH

Anod. aluminum white Black

END CAPS

End cap with hole
End cap without hole

DIFFUSERS

PC diffused cover

LW-ALP-181

Types of installation:

Material: Extruded aluminum
Dimension: 27.9x27.6mm
Length: MAX 5m

CE R20

FINISH

Anod. aluminum white Black

END CAPS

End cap with hole
End cap without hole

DIFFUSERS

PC diffused cover



LW-ALP-109-R

25.4mm(1.00")

16mm(0.63")

22.4mm(0.88")

Types of installation:



Material: Extruded aluminum
Dimension: 25.4x16mm
Length: MAX 5m



FINISH



END CAPS



End cap with hole
End cap without hole

DIFFUSERS



PC diffused cover

ACCESSORIES



Mounting clip (metal)



90° Horizontal connector



90° Vertical connector



180° connector



Steel wire



LW-ALP-109-D

25.4mm(1.00")

23mm(0.90")

22.4mm(0.88")

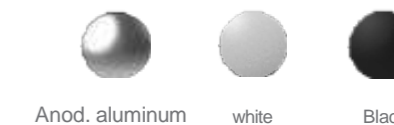
Types of installation:



Material: Extruded aluminum
Dimension: 25.4x23mm
Length: MAX 5m



FINISH



END CAPS



End Caps

DIFFUSERS



PC diffused cover

ACCESSORIES



Mounting clip (metal)



90° Vertical connector



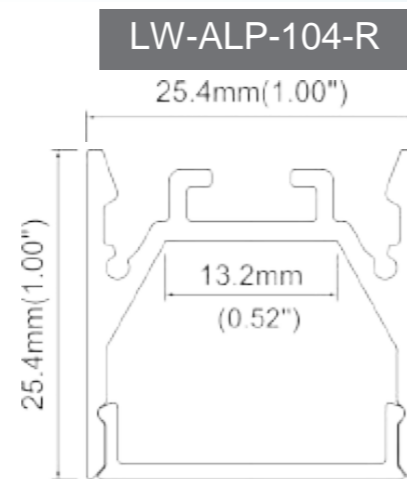
180° Connector



90° Horizontal connector



Steel wire



Types of installation:



Material: Extruded aluminum
Dimension: 25.4x25.4mm
Length: MAX 5m



FINISH



END CAPS



End Caps

DIFFUSERS



PC diffused cover

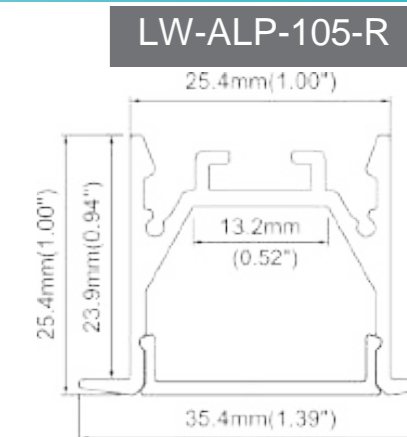
ACCESSORIES



Mounting clip (metal)



Steel wire



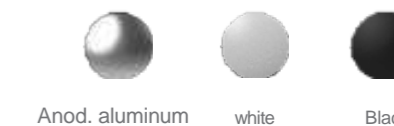
Types of installation:



Material: Extruded aluminum
Dimension: 35.4x25.4mm
Length: MAX 5m



FINISH



END CAPS



End cap with hole
End cap without hole

DIFFUSERS

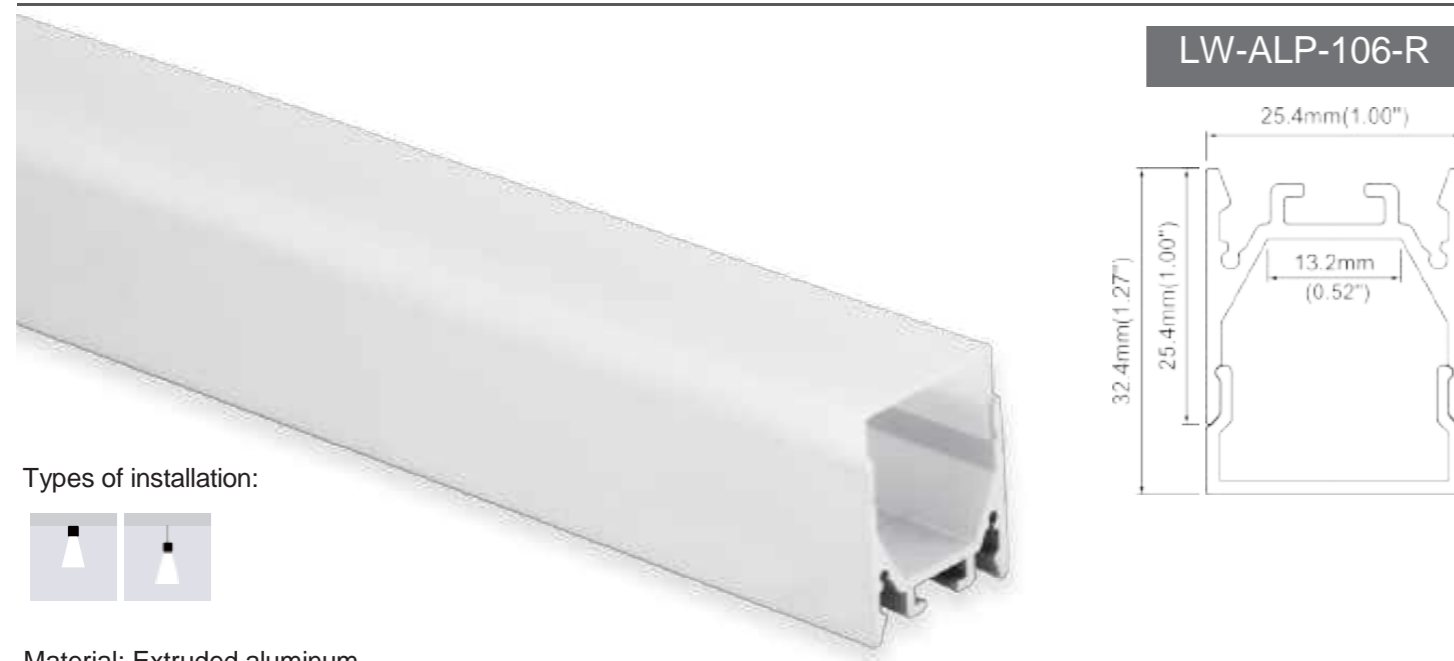


PC diffused cover

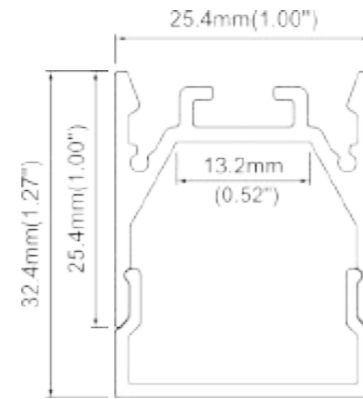
ACCESSORIES



Spring clip



LW-ALP-106-R



Types of installation:



Material: Extruded aluminum
Dimension: 25.4x32.4mm
Length: MAX 5m

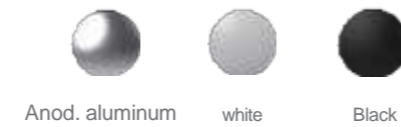


END CAPS



End Caps

FINISH



DIFFUSERS



PC diffused cover

ACCESSORIES



Mounting clip (metal)



90° Vertical connector



180° Connector



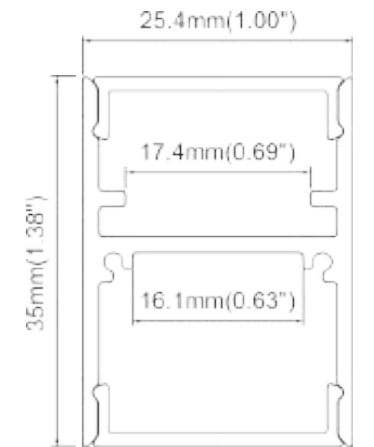
90° Horizontal connector



Steel wire



LW-ALP-107-R



Types of installation:



Material: Extruded aluminum
Dimension: 25.4x35mm
Length: MAX 5m



END CAPS



End Caps

DIFFUSERS



PC diffused cover

ACCESSORIES



Hanging clip



90° Horizontal connector

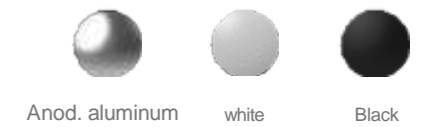


Steel wire



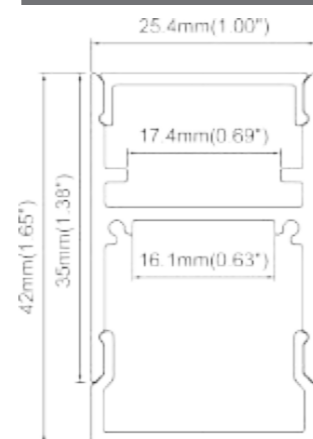
180° Horizontal connector

FINISH





LW-ALP-108-R



Types of installation:



Material: Extruded aluminum
Dimension: 25.4x42mm
Length: MAX 5m



FINISH



END CAPS



End Caps

DIFFUSERS



PC diffused cover



PC diffused cover

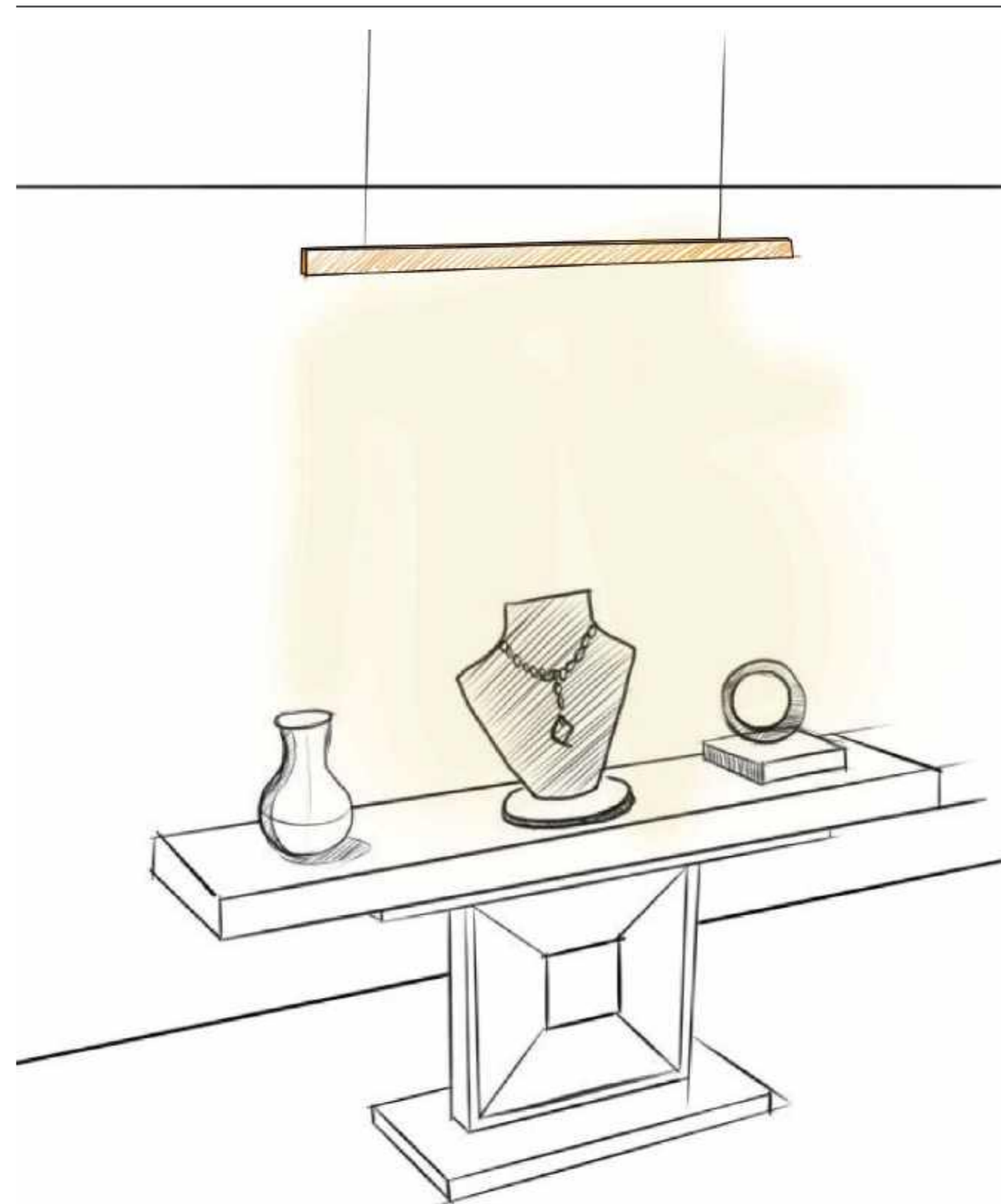
ACCESSORIES



Hanging clip



Steel wire

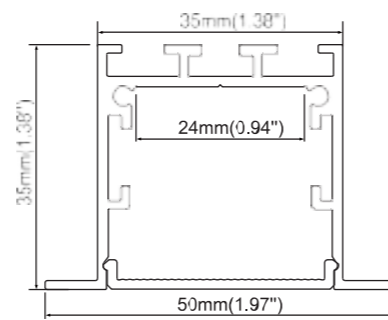


Types of installation:



Material: Extruded aluminum
Dimension: 50x35mm
Length: MAX 5m

LW-ALP-017-R5



FINISH



END CAPS



Aluminium end cap without hole

DIFFUSERS



PMMA opal matte cover
PMMA semi-clear cover
PC diffused cover



Black PC frosted cover

ACCESSORIES



Spring clip



Connector T



Connector X



Connector IL

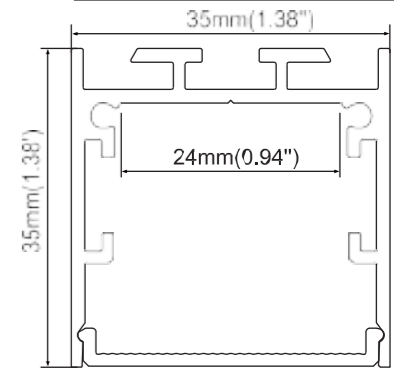


Types of installation:



Material: Extruded aluminum
Dimension: 35x35mm
Length: MAX 5m

LW-ALP-018-R3



FINISH



END CAPS



Aluminium end cap without hole

DIFFUSERS



PMMA opal matte cover
PMMA semi-clear cover
PC diffused cover



Black PC frosted cover

ACCESSORIES



Mounting clip (metal)



Steel wire



Connector T



Connector X



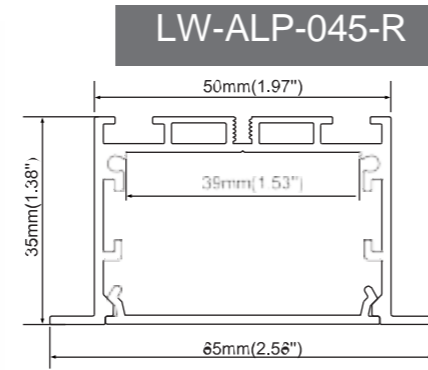
Connector IL



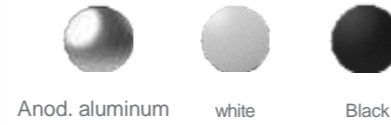
Types of installation:



Material: Extruded aluminum
Dimension: 65x35mm
Length: MAX 5m



FINISH



END CAPS



Aluminium end cap without hole

DIFFUSERS



PC diffused cover

ACCESSORIES



Spring clip



Connector X



Connector T



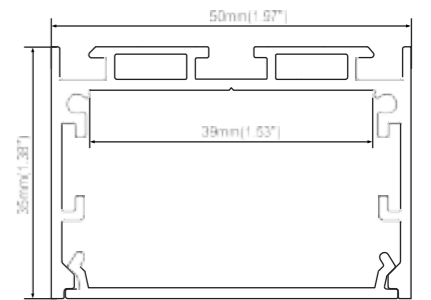
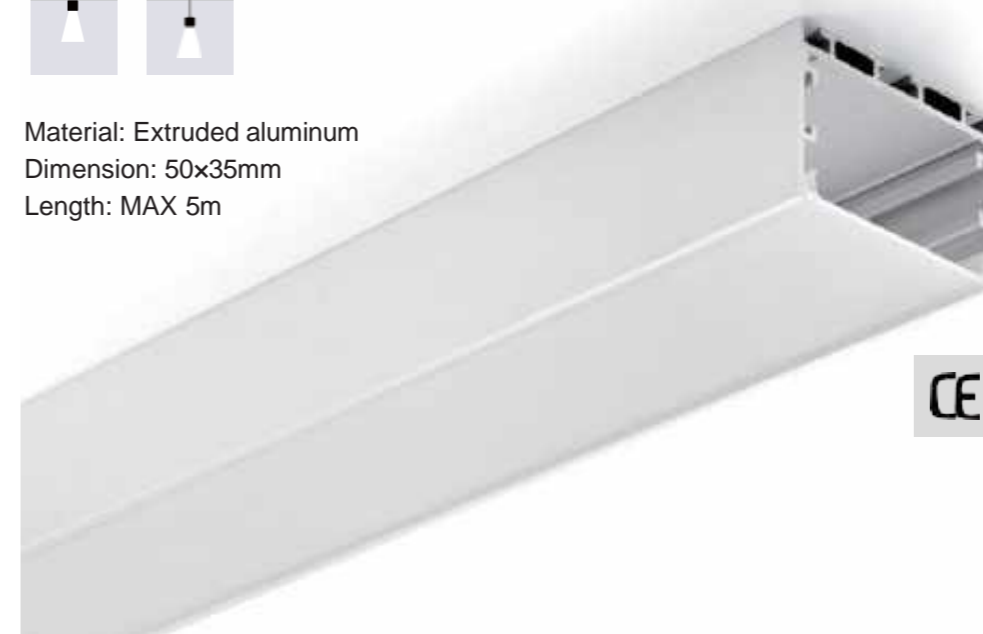
Connector IL

LW-ALP-046-R

Types of installation:



Material: Extruded aluminum
Dimension: 50x35mm
Length: MAX 5m



FINISH



END CAPS



Aluminium end cap without hole

DIFFUSERS



PC diffused cover

ACCESSORIES



Mounting clip (metal)



Steel wire



90° Horizontal connector



180° Connector



90° Vertical Connector



Connector T



Connector X



Connector IL

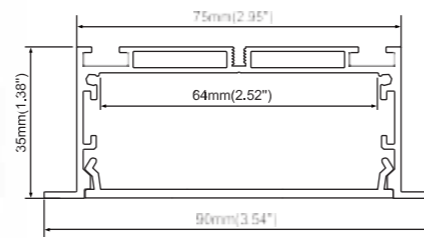
Types of installation:



Material: Extruded aluminum
Dimension: 90x35mm
Length: MAX 5m



LW-ALP-047-R1



FINISH



Anod. aluminum white Black

END CAPS



Aluminium end cap without hole

DIFFUSERS



PC diffused cover

ACCESSORIES



Spring clip



Connector T



Connector X



Connector IL



Connector IL

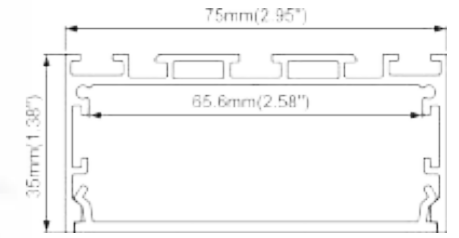
Types of installation:



Material: Extruded aluminum
Dimension: 75x35mm
Length: MAX 5m



LW-ALP-048-R1



FINISH



Anod. aluminum white Black

END CAPS



Aluminium end cap without hole

DIFFUSERS



PC diffused cover

ACCESSORIES



Mounting clip (metal)



Steel wire



Connector T



Connector X



Connector L

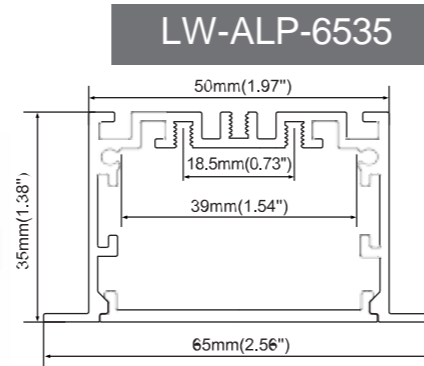


Connector IL

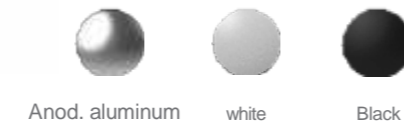
Types of installation:



Material: Extruded aluminum
Dimension: 65x35mm
Length: MAX 5m



FINISH



END CAPS



Aluminium end cap without hole

DIFFUSERS



PC frosted cover

ACCESSORIES



Spring clip



LED Module:
2835LED 28W/1.2M



Connector T



Connector X



Connector L

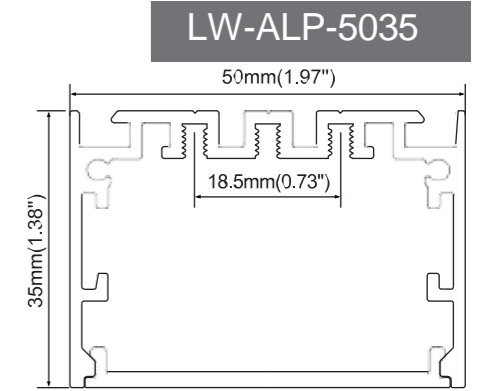
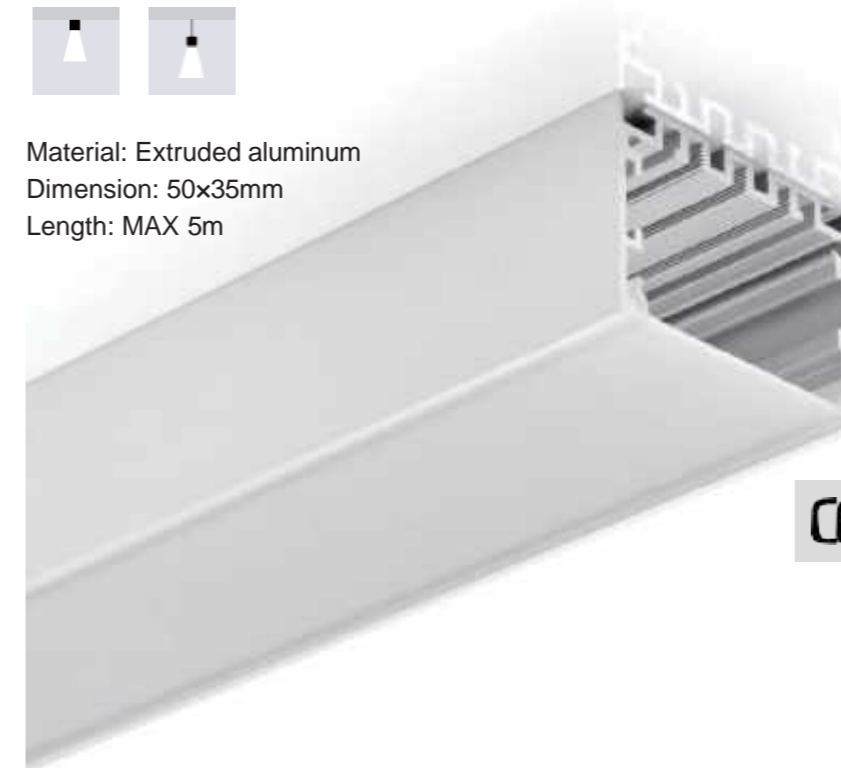


Connector IL

Types of installation:



Material: Extruded aluminum
Dimension: 50x35mm
Length: MAX 5m



FINISH



END CAPS



Aluminium end cap without hole

DIFFUSERS



PC frosted cover

ACCESSORIES



Mounting clip (metal)



Steel wire



Connector T



Connector X



Connector L



Connector IL



LED Module:
2835LED 28W/1.2M



Types of installation:



Material: Extruded aluminum
Dimension: 42.28x85mm
Length: MAX 5m

END CAPS



End Caps

DIFFUSERS



PC diffused cover

ACCESSORIES



Mounting clip (metal)



FINISH



Anod. aluminum white Black

Types of installation:



Material: Extruded aluminum
Dimension: 50x90mm
Length: MAX 5m



FINISH



Anod. aluminum white Black

END CAPS



End Caps

DIFFUSERS



PC frosted cover



PC diffused cover



PMMA clear cover
Prismatic foil

ACCESSORIES



Internal clip



Mounting clip (metal)



Steel wire



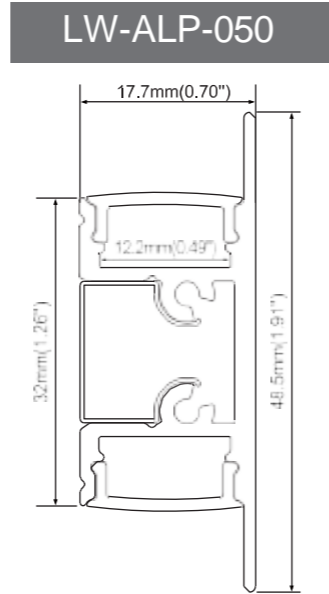
LED Module 2835LED
28W/1.2M



Types of installation:



Material: Extruded aluminum
Dimension: 17.7x48.5mm
Length: MAX 5m



FINISH



END CAPS



End cap with hole
End cap without hole

DIFFUSERS



PC semi clear cover

ACCESSORIES



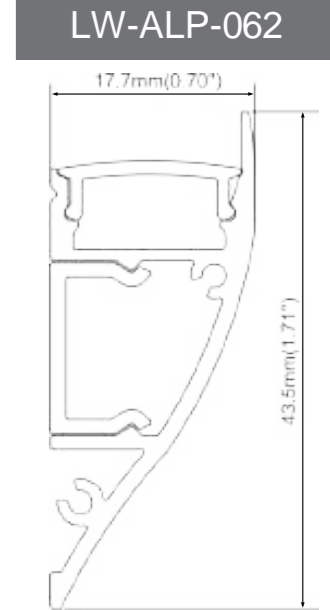
Mounting clip (metal)



Types of installation:



Material: Extruded aluminum
Dimension: 17.7x43.5mm
Length: MAX 5m



END CAPS



End Caps

DIFFUSERS



PC semi clear cover

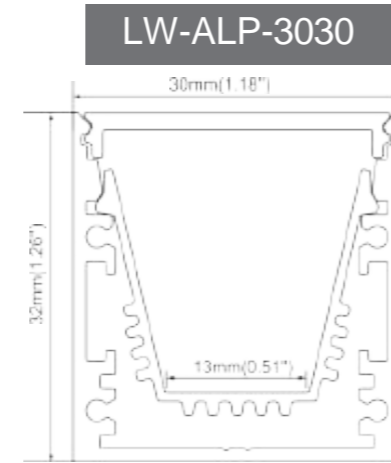
FINISH



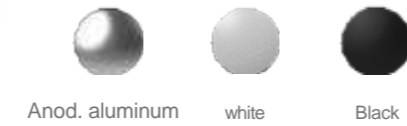
Types of installation:



Material: Extruded aluminum
Dimension: 30x32mm
Length: MAX 5m



FINISH



END CAPS



End Caps

DIFFUSERS



PC frosted cover

ACCESSORIES



Steel wire



180° Connector



90° Horizontal connector

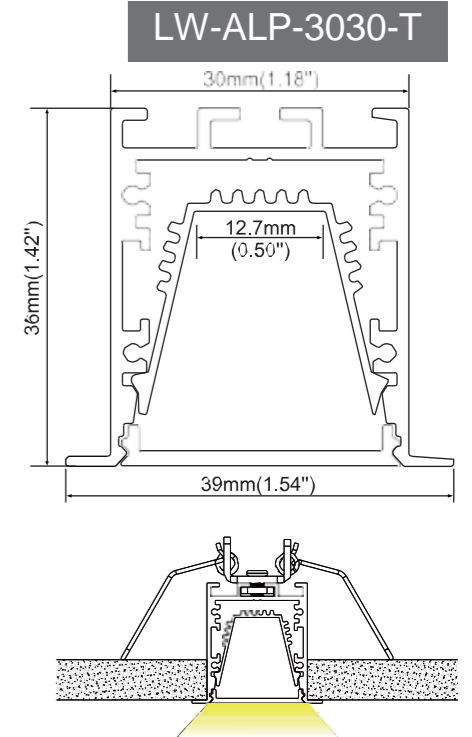


90° Vertical connector

Types of installation:



Material: Extruded aluminum
Dimension: 39x36mm
Length: MAX 5m



FINISH



END CAPS



End Caps

DIFFUSERS



PC frosted cover

ACCESSORIES



Spring clip



90° Horizontal connector



180° Connector



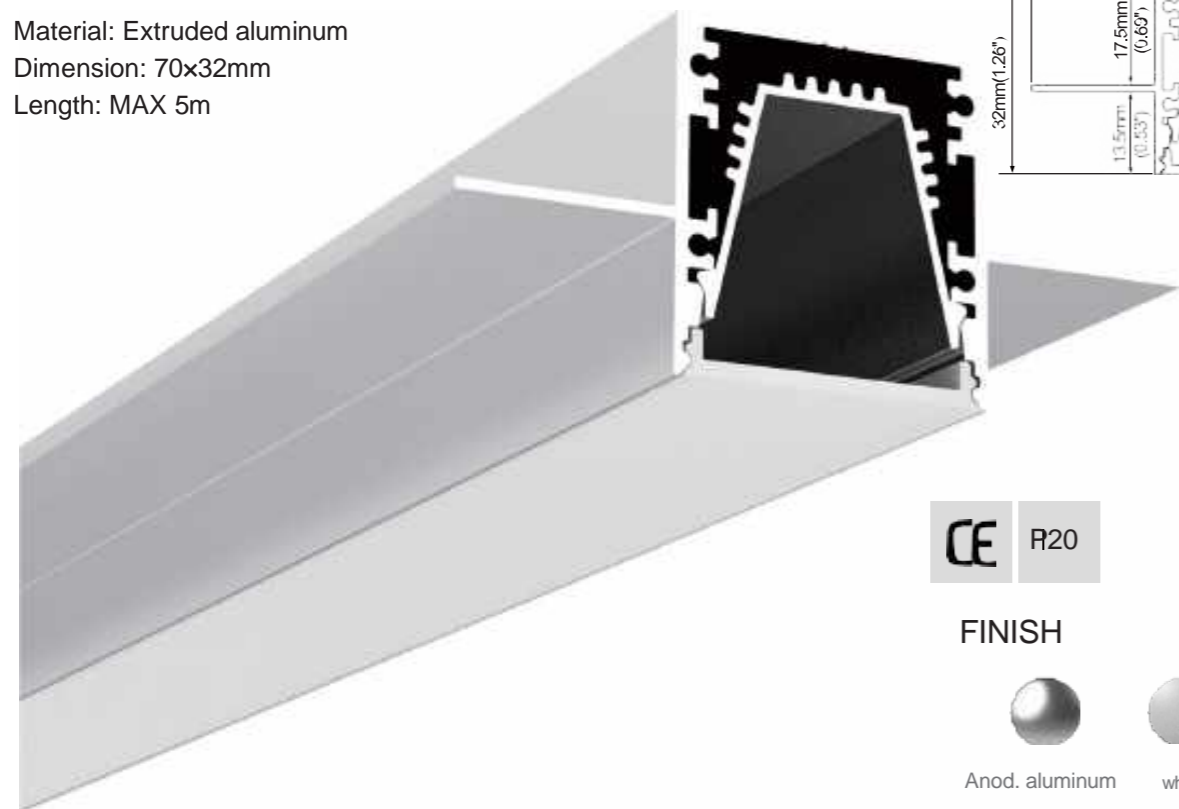
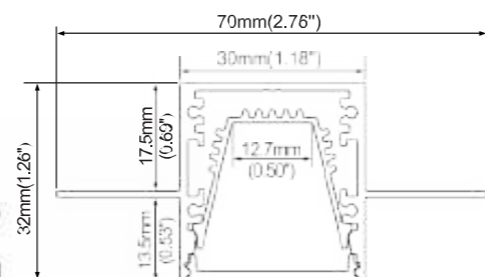
90° Vertical connector

Types of installation:



Material: Extruded aluminum
Dimension: 70x32mm
Length: MAX 5m

LW-ALP-3030-R



FINISH



END CAPS



End Caps

DIFFUSERS



PC frosted cover

ACCESSORIES



90° Horizontal connector



180° Connector



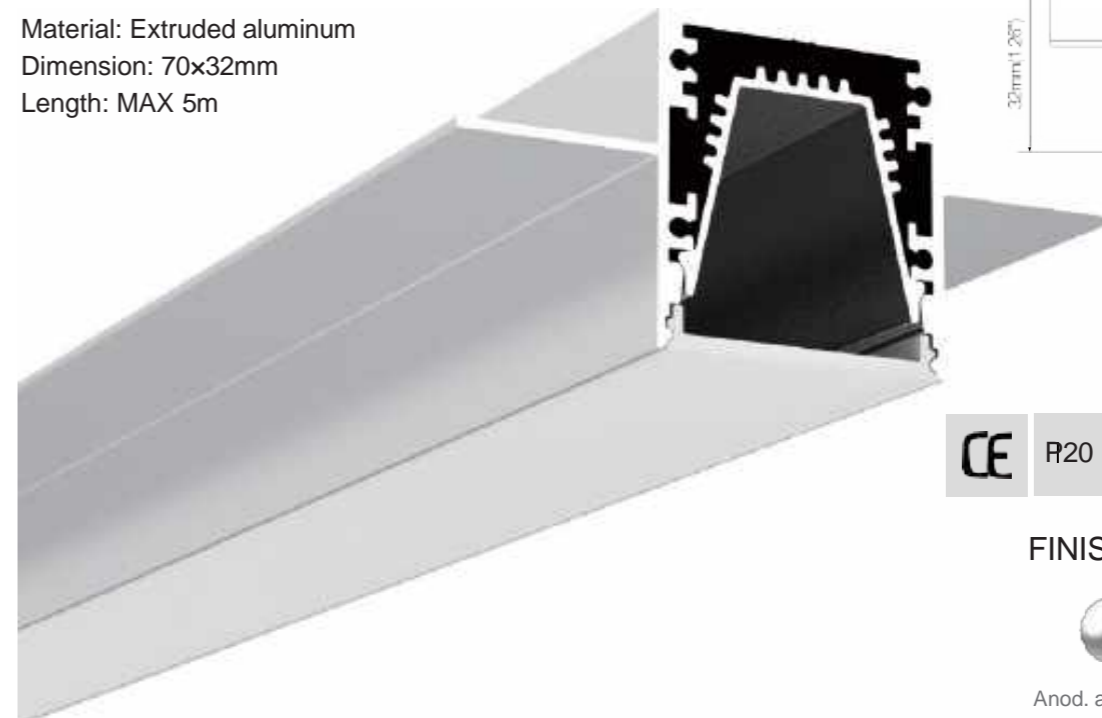
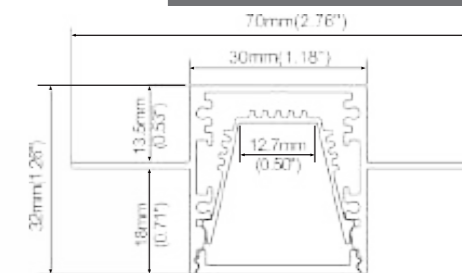
90° Vertical connector

Types of installation:

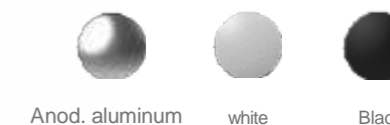


Material: Extruded aluminum
Dimension: 70x32mm
Length: MAX 5m

LW-ALP-3030-R2



FINISH



END CAPS



End Caps

DIFFUSERS



PC frosted cover

ACCESSORIES



90° Horizontal connector



180° Connector



90° Vertical connector

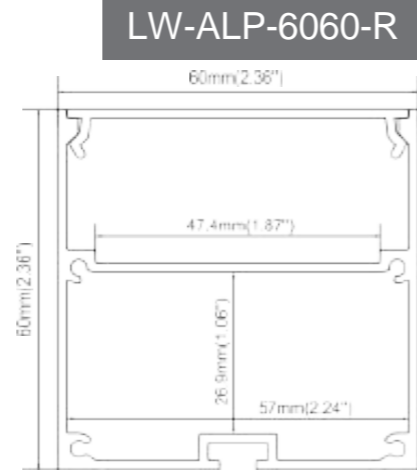
Types of installation:



Material: Extruded aluminum
Dimension: 60x60mm
Length: MAX 5m



FINISH



END CAPS



End Caps

DIFFUSERS



PC frosted cover

ACCESSORIES



Steel wire

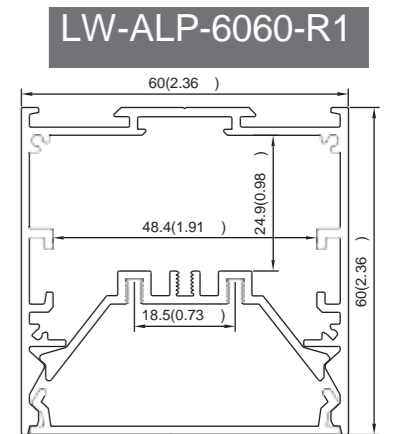
Types of installation:



Material: Extruded aluminum
Dimension: 60x60mm
Length: MAX 5m



FINISH



END CAPS



End Caps

DIFFUSERS



PC frosted cover

ACCESSORIES



Mounting clip (metal)



90° Connector L



Steel wire



90° Connector IL

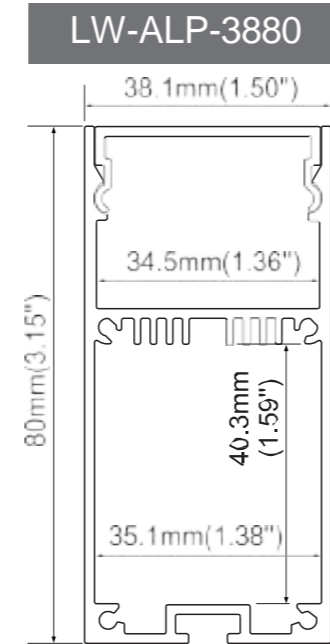


180° Connector

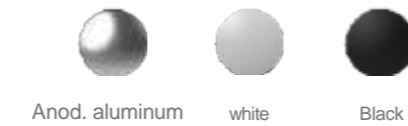
Types of installation:



Material: Extruded aluminum
Dimension: 38.1x80mm
Length: MAX 5m



FINISH



END CAPS



End Caps

DIFFUSERS



PC frosted cover

ACCESSORIES

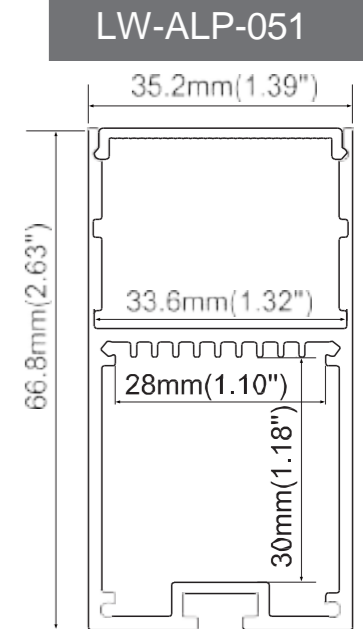
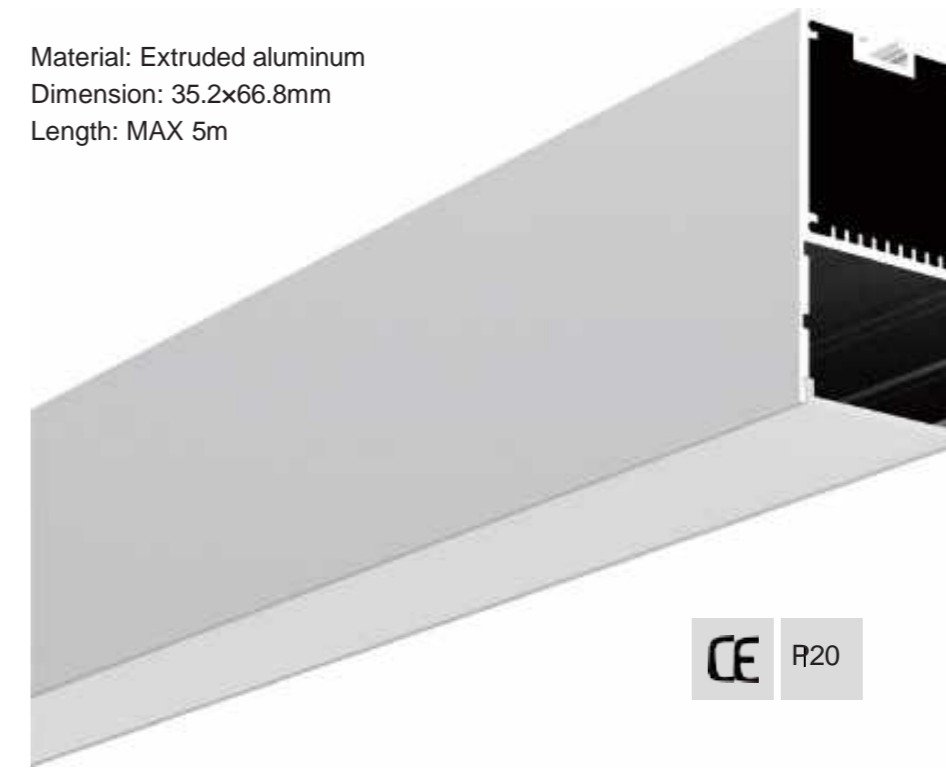


Steel wire

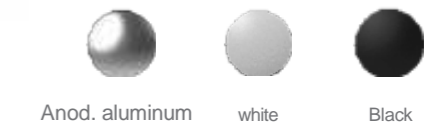
Types of installation:



Material: Extruded aluminum
Dimension: 35.2x66.8mm
Length: MAX 5m



FINISH



END CAPS



End Caps

DIFFUSERS



PMMA opal matte cover
PMMA semi-clear cover
PC diffused cover

ACCESSORIES



Steel wire

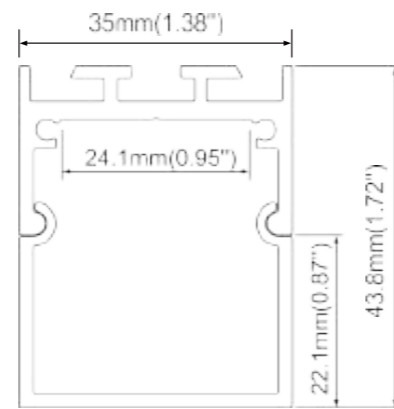
Types of installation:



Material: Extruded aluminum
Dimension: 35x43.8mm
Length: MAX 5m



LW-ALP-053-R



FINISH



END CAPS



End Caps

DIFFUSERS



PC diffused cover
PC frosted cover

ACCESSORIES



Mounting clip (metal)

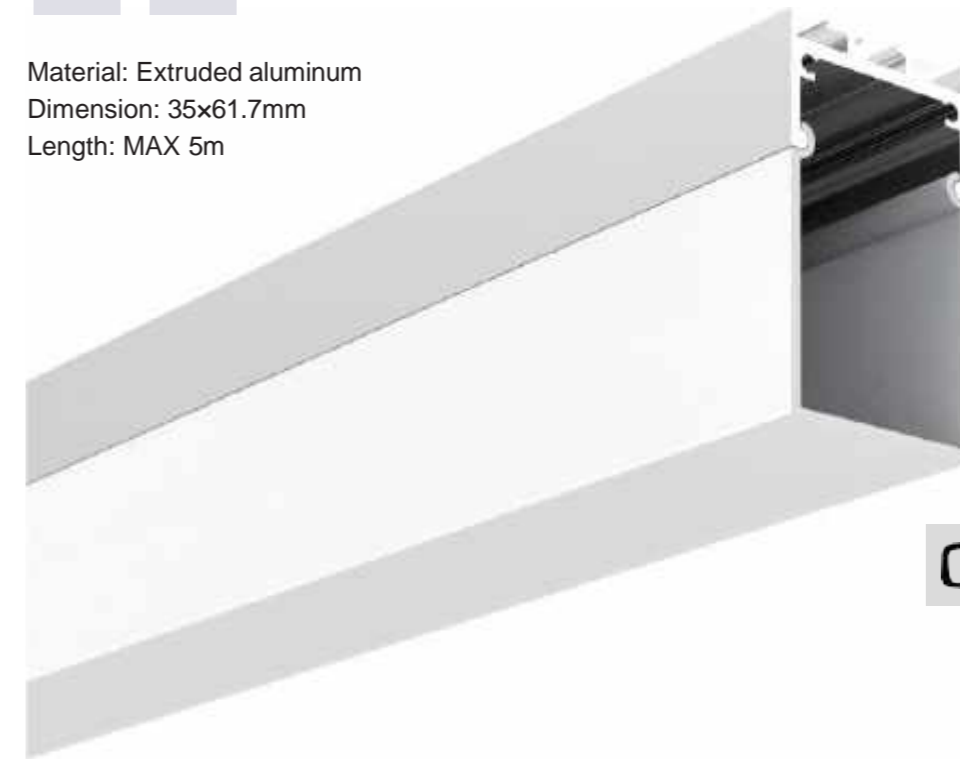


Steel wire

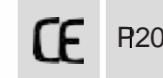
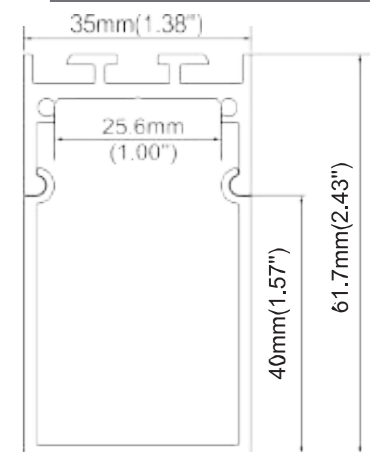
Types of installation:



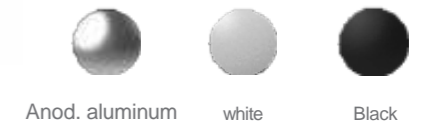
Material: Extruded aluminum
Dimension: 35x61.7mm
Length: MAX 5m



LW-ALP-054-R1



FINISH



END CAPS



End Caps

DIFFUSERS



PC diffused cover

ACCESSORIES



Mounting clip (metal)



Steel wire



LW-ALP-056-R

Types of installation:



Material: Extruded aluminum
Dimension: 55x75mm
Length: MAX 5m



FINISH



Anod. aluminum white Black

END CAPS



End Caps

DIFFUSERS



PC frosted cover

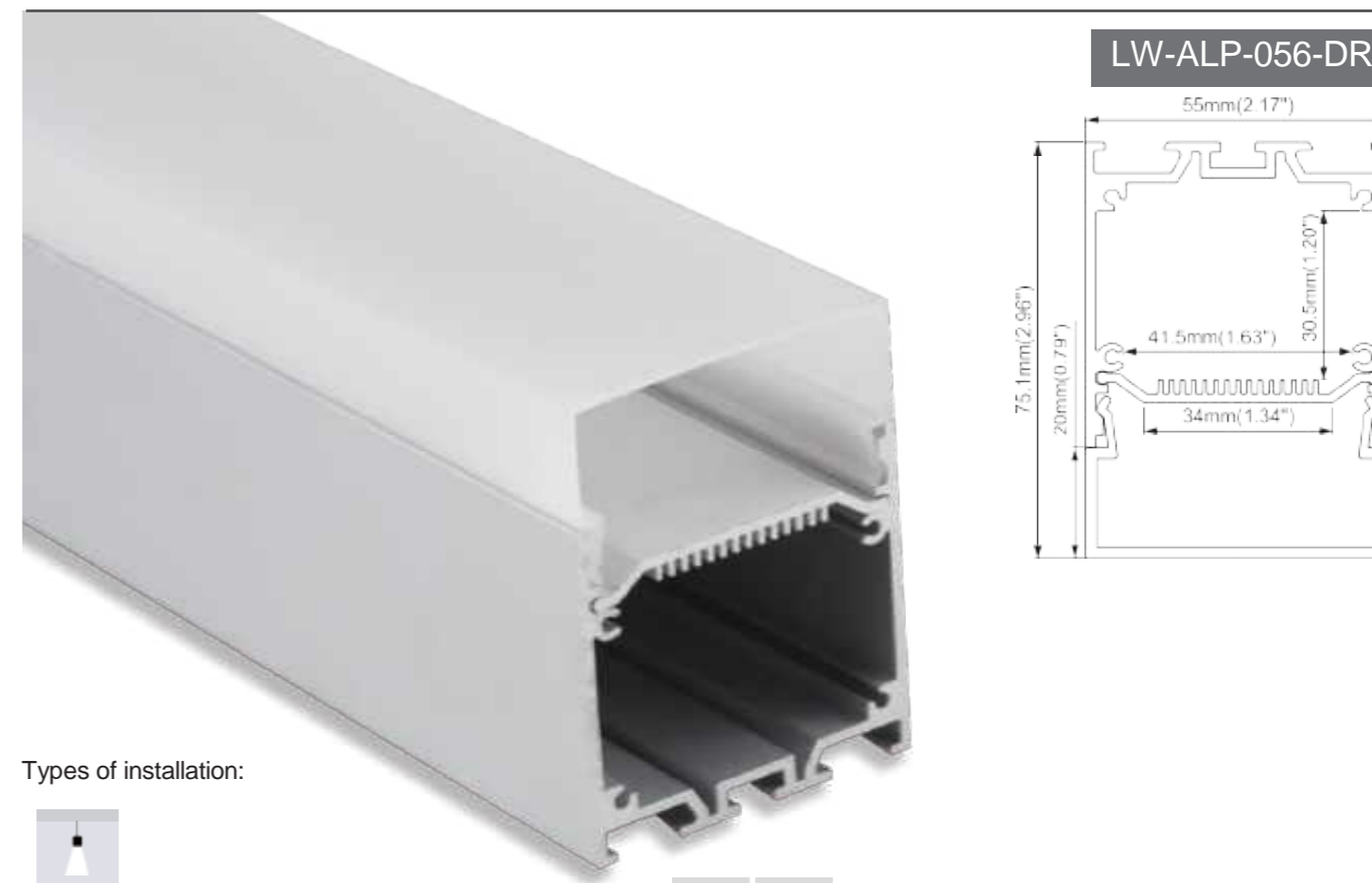
ACCESSORIES



Mounting clip (metal)



Steel wire



LW-ALP-056-DR

Types of installation:



Material: Extruded aluminum
Dimension: 55x75.1mm
Length: MAX 5m



FINISH



Anod. aluminum white Black

END CAPS



End Caps

DIFFUSERS



PC frosted cover

ACCESSORIES



Steel wire



Mounting clip (metal)



Types of installation:



Material: Extruded aluminum
Dimension: 50x70mm
Length: MAX 5m

END CAPS



End Caps

DIFFUSERS



PC diffused cover
PC semi-clear cover

ACCESSORIES



90° Connector

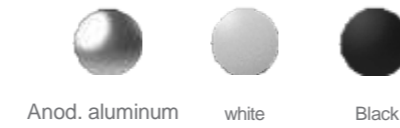


180° Connector



Steel wire

FINISH



Anod. aluminum white Black



Types of installation:



Material: Extruded aluminum
Dimension: 75x75mm
Length: MAX 5m

END CAPS



End Caps

DIFFUSERS

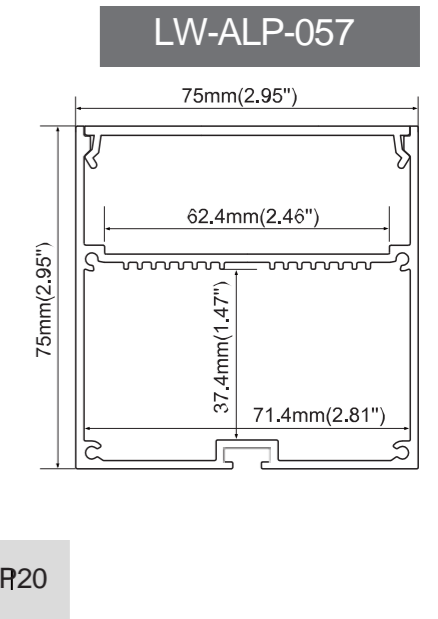


PC diffused cover

ACCESSORIES



Steel wire



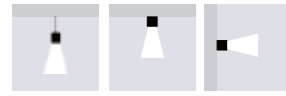
FINISH



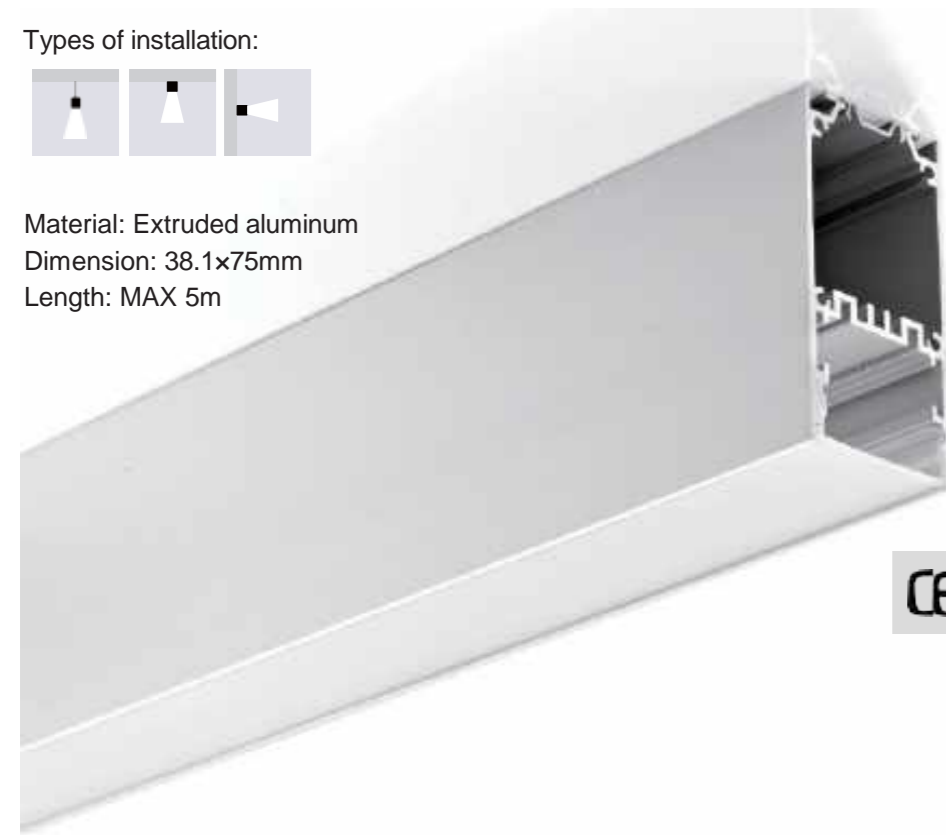
Anod. aluminum white Black



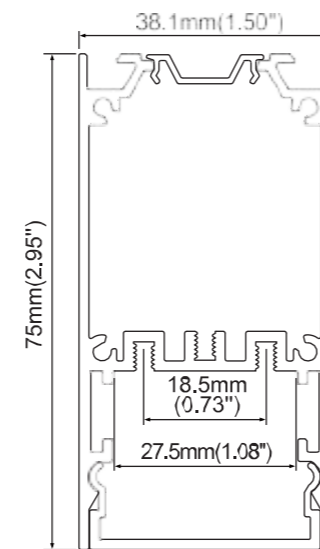
Types of installation:



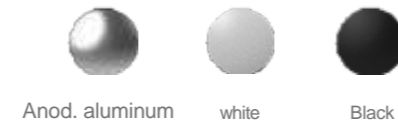
Material: Extruded aluminum
Dimension: 38.1x75mm
Length: MAX 5m



LW-ALP-3875



FINISH



END CAPS



Aluminium end cap without hole

DIFFUSERS



PC frosted cover

ACCESSORIES



Steel wire



LED Module:2835LED 28W/1.2M



Mounting clip (metal)



Connector T



Connector X



Connector L



Connector IL

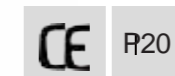
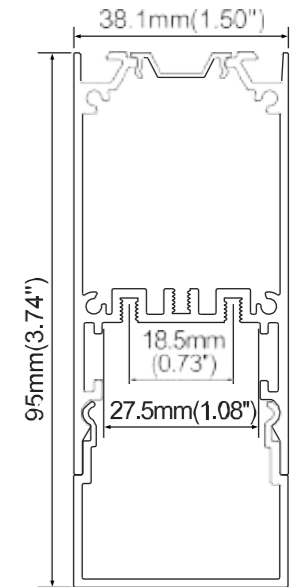
Types of installation:



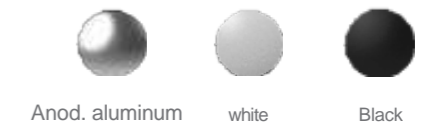
Material: Extruded aluminum
Dimension: 38.1x95mm
Length: MAX 6m



LW-ALP-3875-D



FINISH



END CAPS



Aluminium end cap without hole

DIFFUSERS



PC frosted cover

ACCESSORIES



Mounting clip (metal)



Steel wire

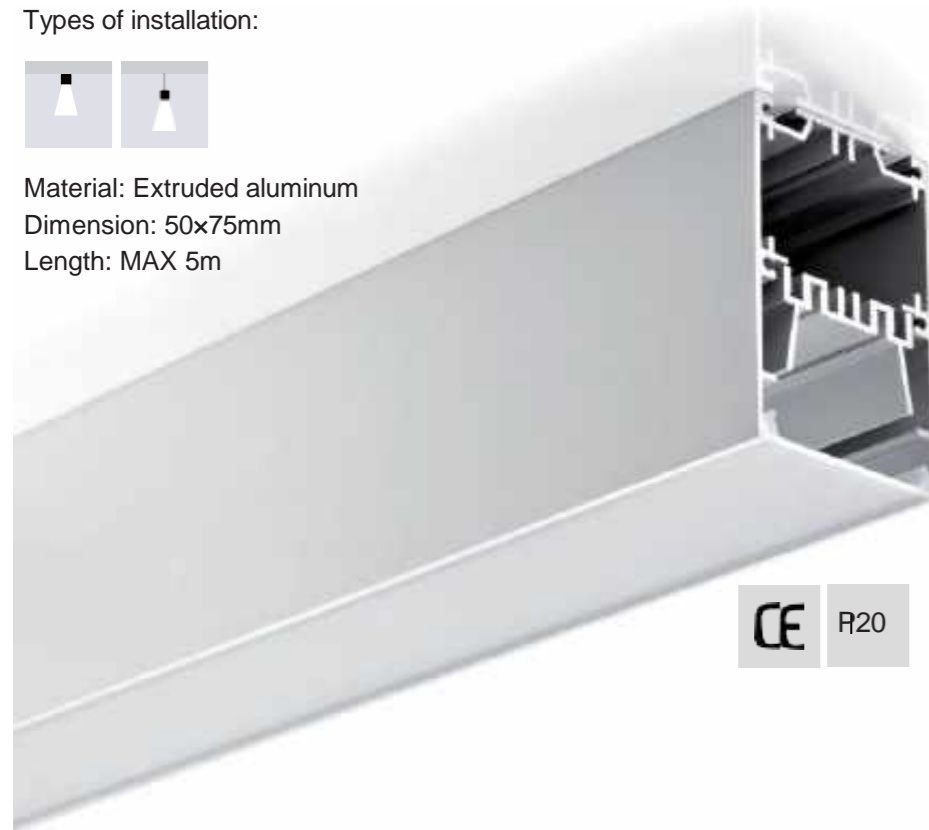


LED Module:2835LED 28W/1.2M

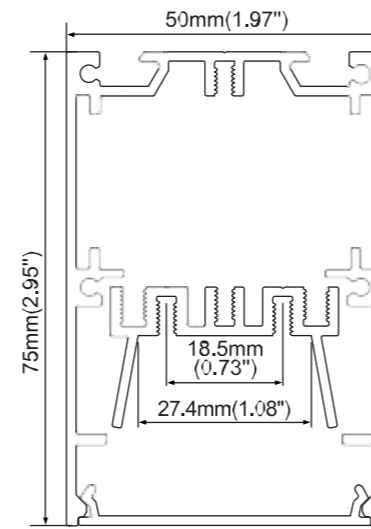
Types of installation:



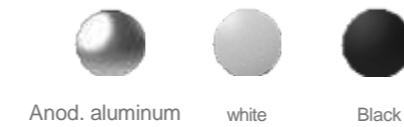
Material: Extruded aluminum
Dimension: 50x75mm
Length: MAX 5m



LW-ALP-5075-R



FINISH



END CAPS



Aluminium end cap without hole

DIFFUSERS



PC frosted cover



Large lens



PMMA clear cover +Prismatic foil

ACCESSORIES



Steel wire



LED Module:2835LED 28W/1.2M



Trimless recessed clip



Mounting clip (metal)



Connector T



Internal Clip



Connector X



Connector L

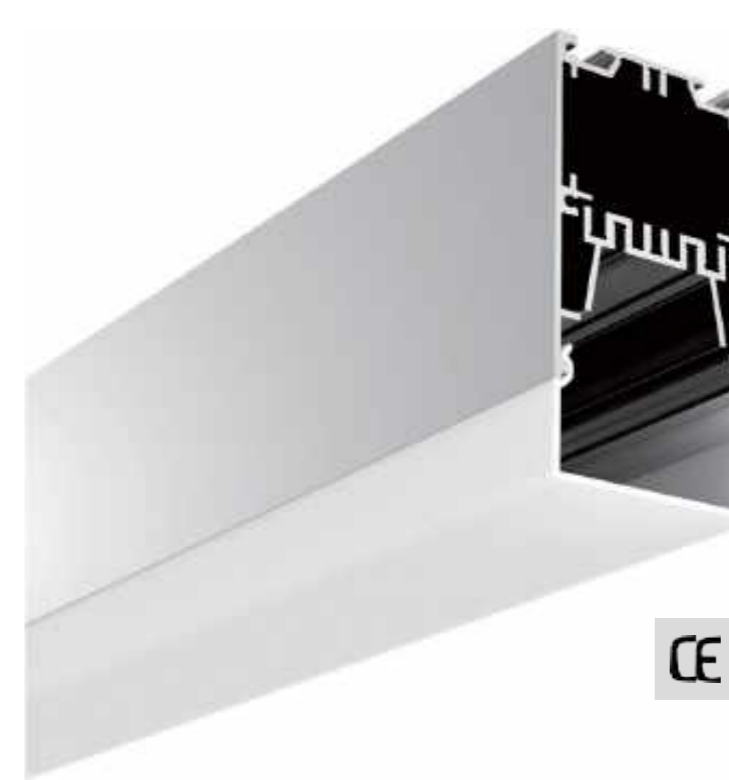


Connector IL

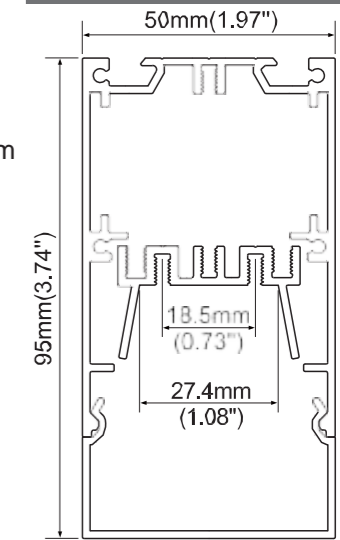
Types of installation:



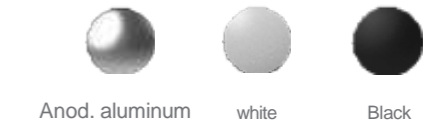
Material: Extruded aluminum
Dimension: 50x95mm
Length: MAX 5m



LW-ALP-5075-RD



FINISH



END CAPS



Aluminium end cap without hole

DIFFUSERS



PC frosted cover

ACCESSORIES



Mounting clip (metal)



Steel wire



Internal clip

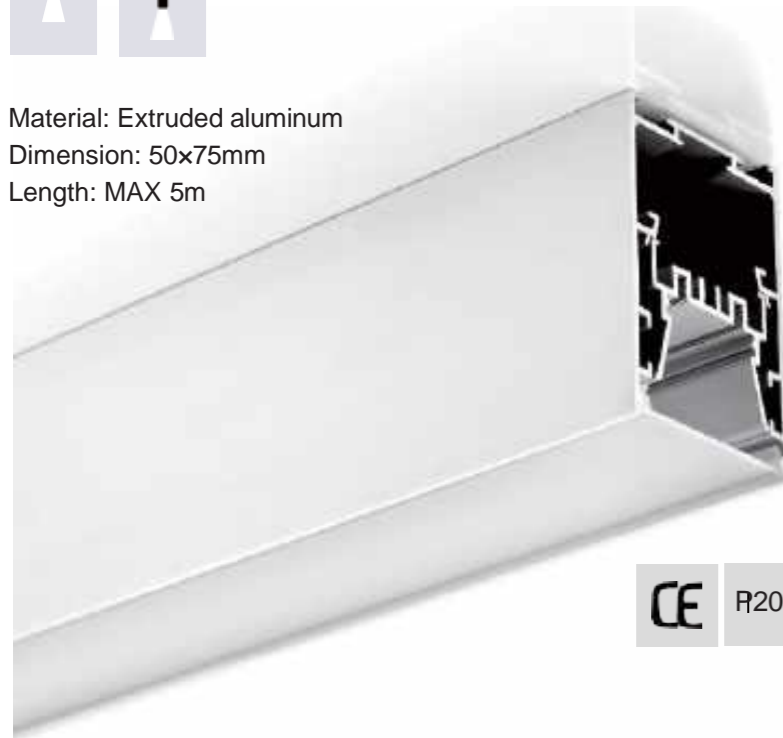


LED Module:2835LED 28W/1.2M

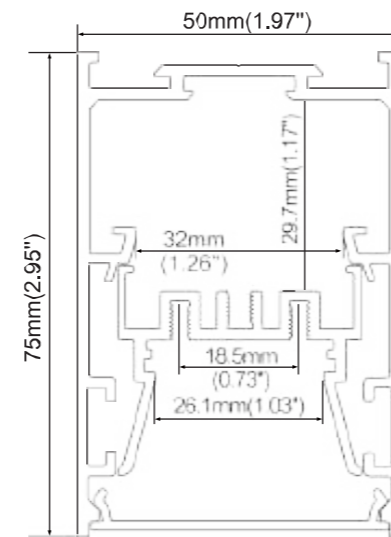
Types of installation:



Material: Extruded aluminum
Dimension: 50x75mm
Length: MAX 5m



LW-ALP-5075-R1



FINISH



END CAPS



Die cast end caps

DIFFUSERS



PC frosted cover



PMMA clear cover
+Prismatic foil

ACCESSORIES



Internal Clip



Outside clip



Safety wire



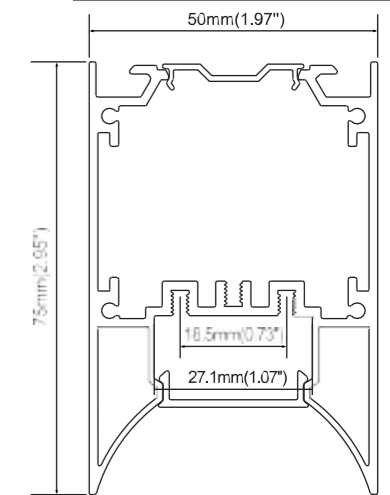
Types of installation:



Material: Extruded aluminum
Dimension: 50x75mm
Length: MAX 5m



LW-ALP-5-075-C



FINISH



END CAPS



Aluminium end cap
without hole

DIFFUSERS



PC frosted cover

ACCESSORIES



Mounting clip
(metal)



Steel wire



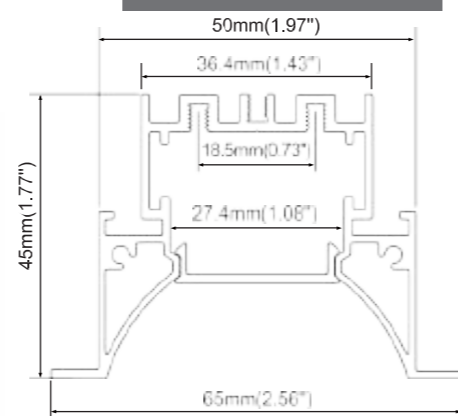
Types of installation:



Material: Extruded aluminum
Dimension: 65x45mm
Length: MAX 5m



LW-ALP-6545-C



FINISH



END CAPS



End Caps

DIFFUSERS



PC frosted cover

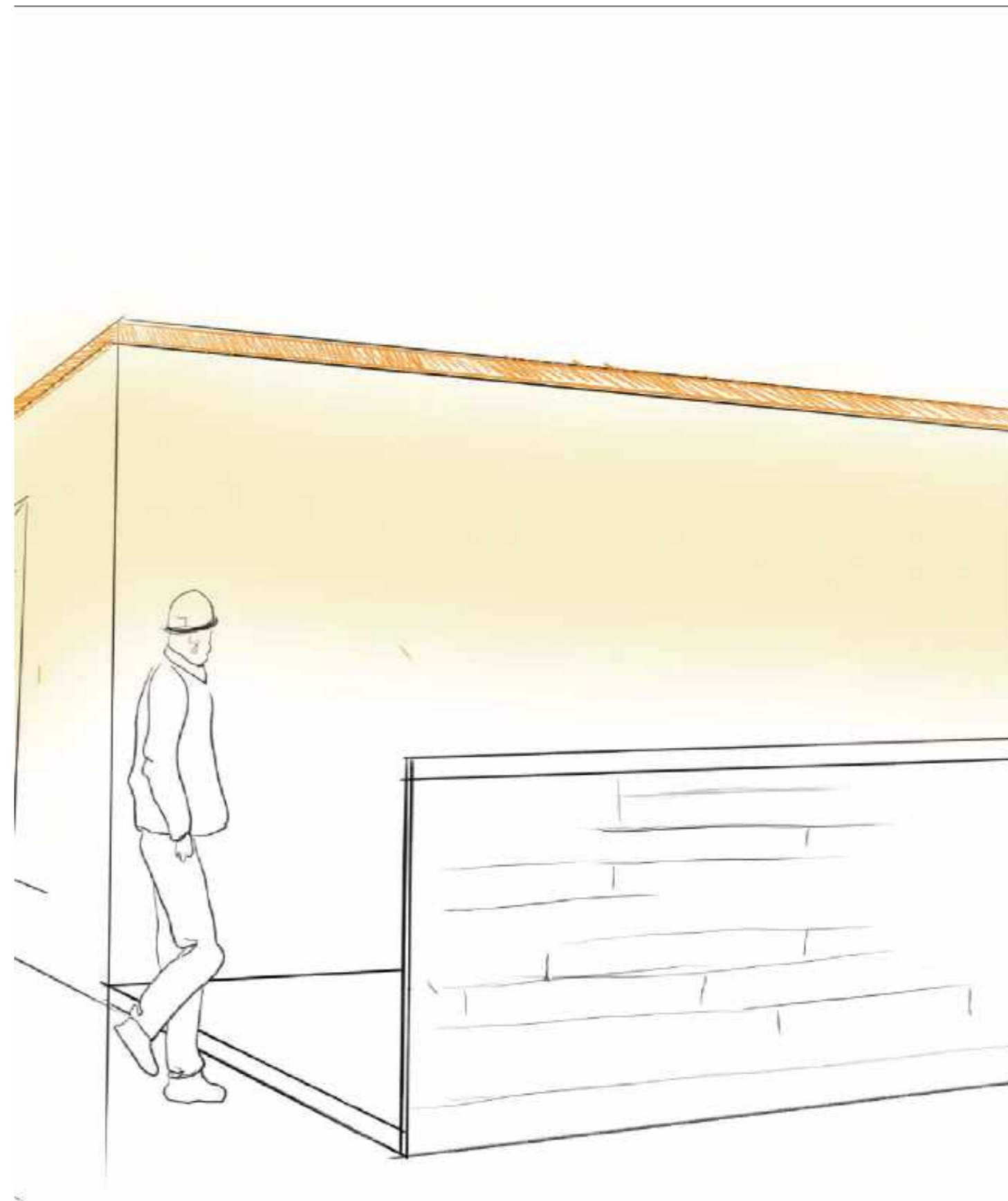
ACCESSORIES



Spring clip



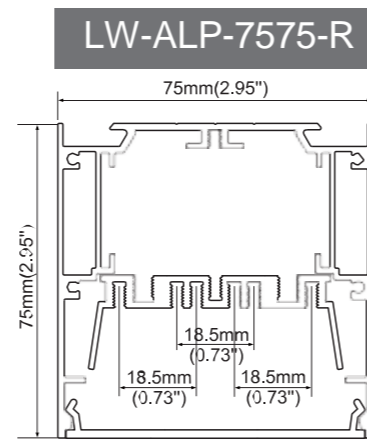
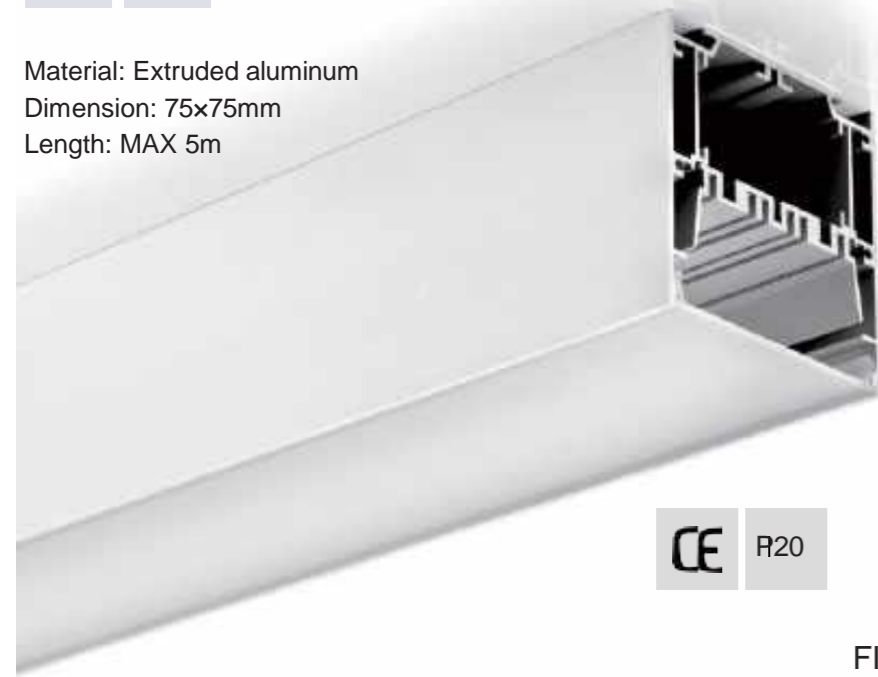
LED Module 2835LED
28W/1.2M



Types of installation:



Material: Extruded aluminum
Dimension: 75x75mm
Length: MAX 5m

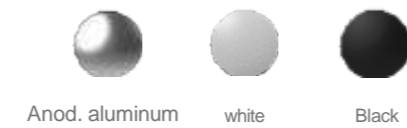


END CAPS



Aluminium end cap without hole

FINISH



Anod. aluminum white Black

DIFFUSERS



PC frosted cover



PMMA clear cover +Prismatic foil

ACCESSORIES



Mounting clip (metal)



Internal Clip



Trimless recessed clip



Connector T



Connector X



Connector IL



Connector L



Steel wire

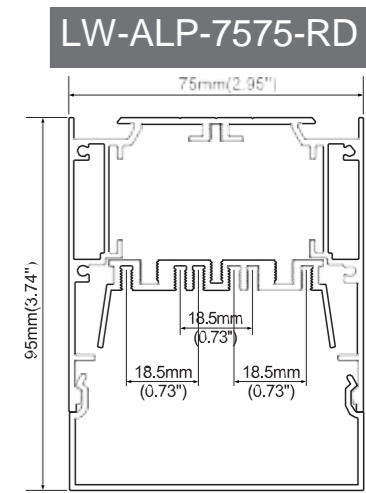


LED Module:2835LED 42W/1.2M

Types of installation:



Material: Extruded aluminum
Dimension: 75x95mm
Length: MAX 5m



END CAPS



Aluminium end cap

FINISH



Anod. aluminum white Black

DIFFUSERS



PC frosted cover

ACCESSORIES



Mounting clip (metal)



Internal Clip



Steel wire

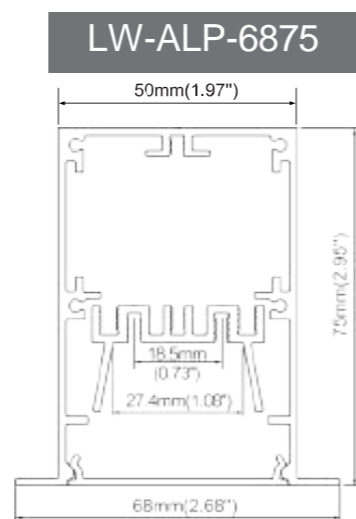
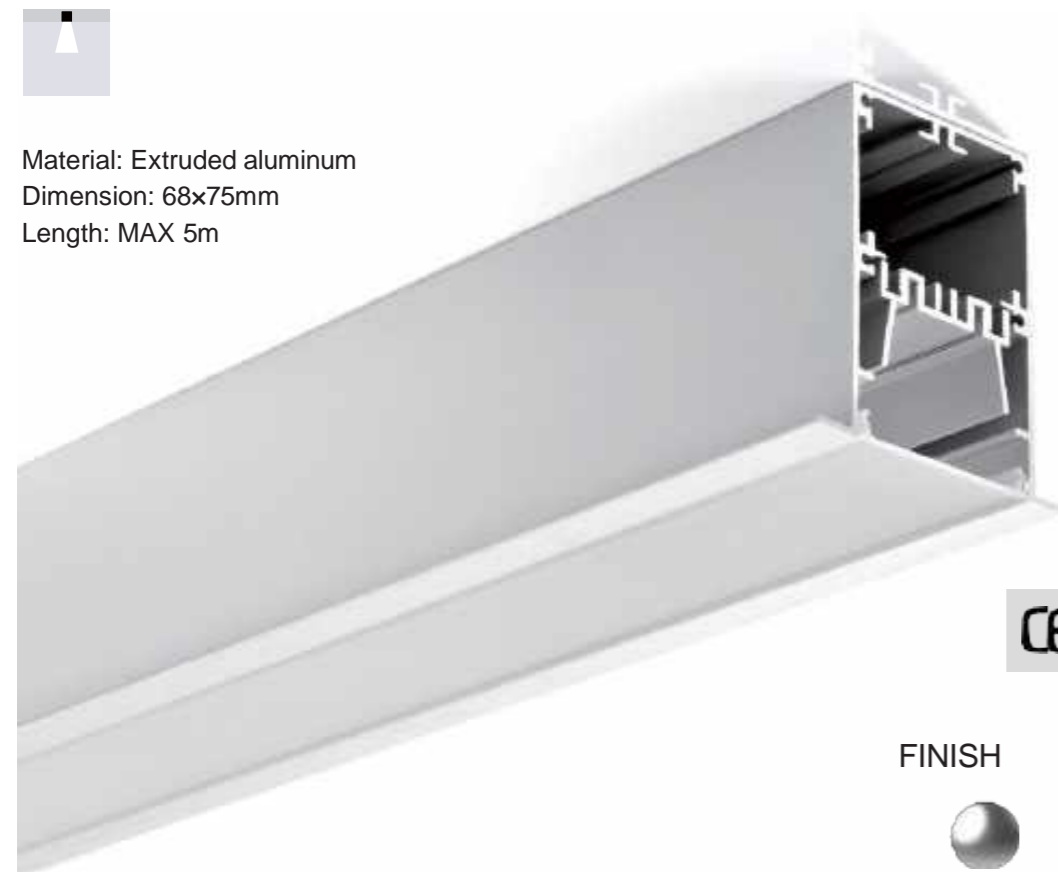


LED Module:2835LED 42W/1.2M

Types of installation:



Material: Extruded aluminum
Dimension: 68x75mm
Length: MAX 5m



FINISH



END CAPS



Aluminium end cap without hole

DIFFUSERS



PC frosted cover



PMMA clear cover +Prismatic foil

ACCESSORIES



Stainless Clip



Internal Clip



Connector L



Connector T



Connector X

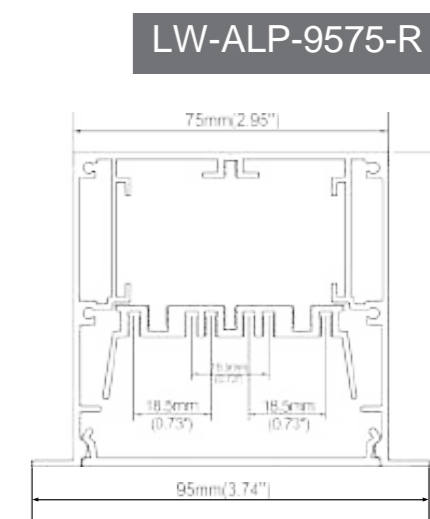
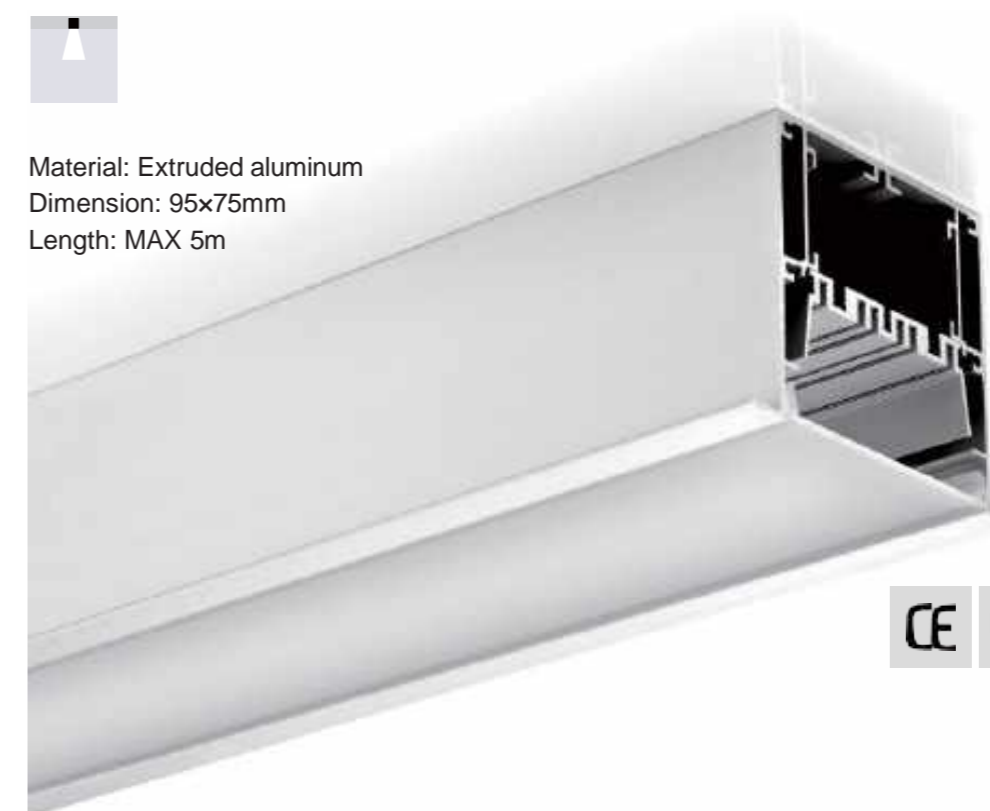


Connector IL

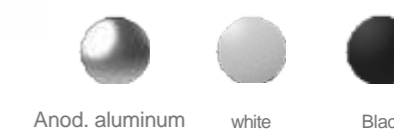
Types of installation:



Material: Extruded aluminum
Dimension: 95x75mm
Length: MAX 5m



FINISH



END CAPS



Aluminium end cap without hole

DIFFUSERS



PC frosted cover



PMMA clear cover +Prismatic foil

ACCESSORIES



Internal clip



Stainless Clip



Connector L



Connector IL



Connector T



Connector X



LED Module 2835LED 42W/1.2M



END CAPS



Die cast end caps

DIFFUSERS



PC frosted cover

ACCESSORIES



Hanging bracket



Internal Clip



Wall clip



Steel wire



Safety wire

Types of installation:



Material: Extruded aluminum
Dimension: 38x115mm
Length: MAX 5m

FINISH




Anod. aluminum white Black

LW-ALP-38115






Types of installation:




Material: Extruded aluminum
Dimension: 63x120mm
Length: MAX 5m

END CAPS




Die cast end caps

DIFFUSERS




PC frosted cover


ACCESSORIES



Wall clip




Internal Clip




Hanging bracket

Types of installation:

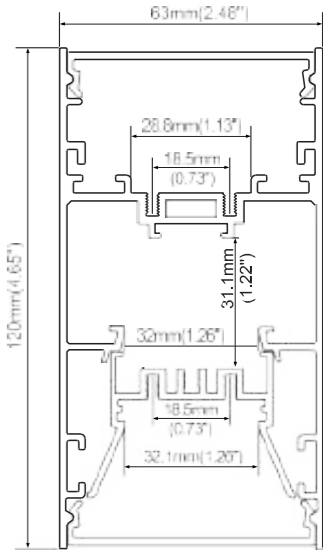



Safety wire




Steel wire

LW-ALP6-3120






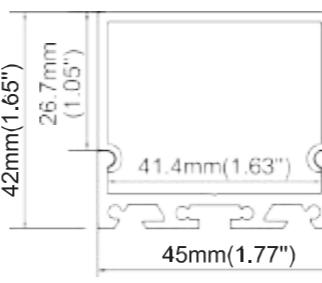


LW-ALP-065


Types of installation:



Material: Extruded aluminum
Dimension: 45x42mm
Length: MAX 5m




END CAPS



End Caps


CE R20

FINISH



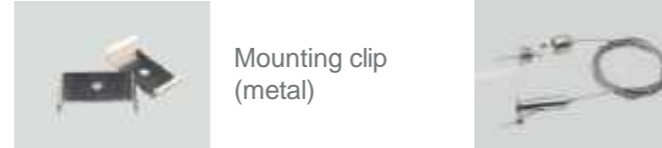
Anod. aluminum white Black

DIFFUSERS



PMMA opal matte
PMA semi-clear
PC diffused cover

ACCESSORIES



Mounting clip (metal)

Steel wire



LW-ALP-065-T

Types of installation:



Material: Extruded aluminum
Dimension: 75x40mm
Length: MAX 5m



END CAPS



End Caps


CE R20

FINISH



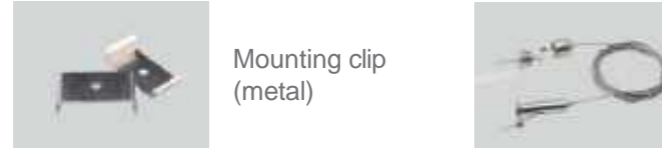
Anod. aluminum white Black

DIFFUSERS



PC diffused cover

ACCESSORIES



Mounting clip (metal)

Steel wire



LW-ALP-066

Types of installation:



Material: Extruded aluminum
Dimension: 45x42mm
Length: MAX 5m



END CAPS



End Caps


CE R20

FINISH



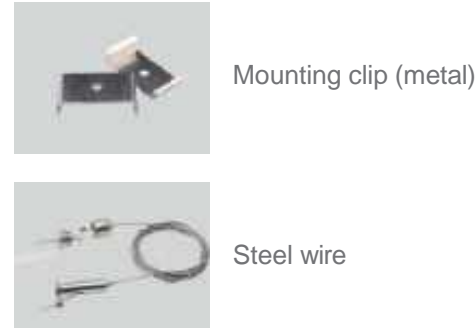
Anod. aluminum white Black

DIFFUSERS



PMMA opal matte cover
PMA semi-clear cover
PC diffused cover


ACCESSORIES



Mounting clip (metal)


Steel wire

END CAPS



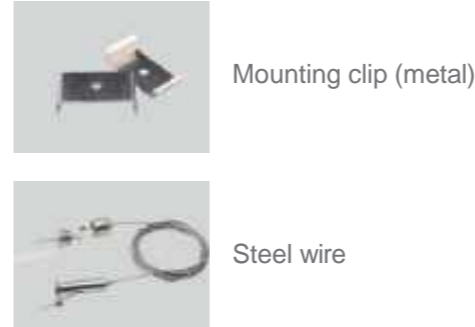
End Caps

DIFFUSERS



PMMA opal matte cover
PMA semi-clear cover
PC diffused cover

ACCESSORIES



Mounting clip (metal)

Steel wire



LW-T40

Types of installation: 

Material: Extruded aluminum
Dimension: $\phi 40.2\text{mm}$
Length: MAX 5m



CE R20

END CAPS



End Caps

DIFFUSERS



PC frosted cover

ACCESSORIES



Steel wire



Mounting clip (metal)

FINISH




LW-T60

Types of installation: 

Material: Extruded aluminum
Dimension: $\phi 60\text{mm}$
Length: MAX 5m



CE R20

END CAPS



End Caps

DIFFUSERS



PC frosted cover

ACCESSORIES



Steel wire



Mounting clip (metal)

FINISH




LW-T100

Types of installation: 

Material: Extruded aluminum
Dimension: $\phi 100\text{mm}$
Length: MAX 5m



CE R20

END CAPS



End Caps

DIFFUSERS



PC frosted cover

ACCESSORIES

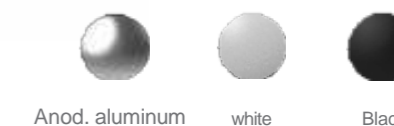


Steel wire



Mounting clip (metal)

FINISH



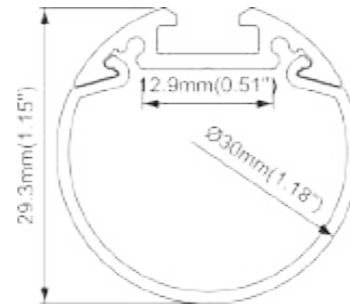
Types of installation:



Material: Extruded aluminum
Dimension: $\varnothing 30\text{mm}$
Length: MAX 5m



LW-T30



FINISH



END CAPS



End Caps

DIFFUSERS



PC frosted cover

ACCESSORIES



Steel wire



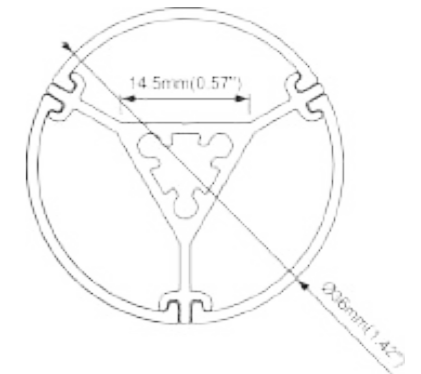
Metal clip



Surface mounting kit



LW-T36



Types of installation:



Material: Extruded aluminum
Dimension: $\varnothing 36\text{mm}$
Length: MAX 5m

END CAPS



End cap



FINISH



DIFFUSERS



PC diffused cover



Black PC frosted cover

ACCESSORIES



90° Connector




180° Connector




Connector X



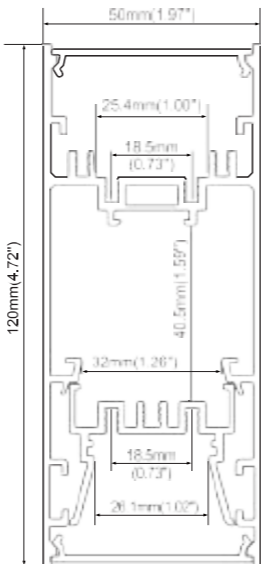


Types of installation:



Material: Extruded aluminum
Dimension: 50x120mm
Length: MAX 5m

LW-ALP-50120



CE R20

END CAPS



Die cast end caps

DIFFUSERS



PC frosted cover

ACCESSORIES



Internal Clip



Wall clip



Hanging bracket



Steel wire



Safety wire

FINISH



Anod. aluminum white Black

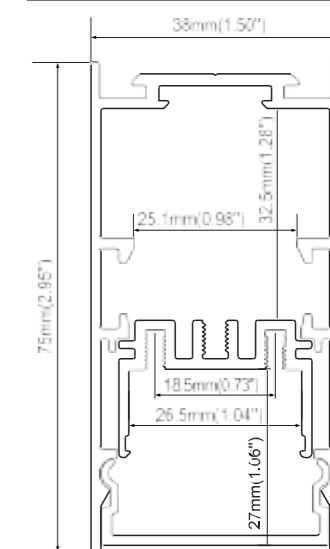
Types of installation:



Material: Extruded aluminum
Dimension: 38x75mm
Length: MAX 5m



LW-ALP-3875-R



CE R20

END CAPS



Die cast end caps

DIFFUSERS



PC frosted cover

ACCESSORIES



Internal Clip



Steel wire



Outside clip



Safety wire

FINISH



Anod. aluminum white Black

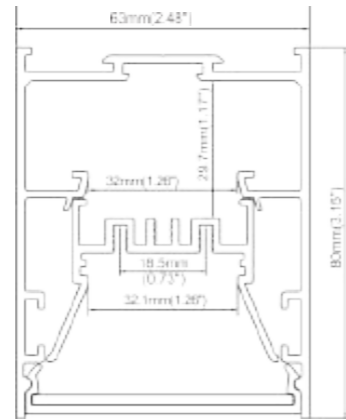
Types of installation:



Material: Extruded aluminum
Dimension: 63x80mm
Length: MAX 5m



LW-ALP-6380



FINISH



Anod. aluminum white Black

END CAPS



Die cast end caps

DIFFUSERS



PC frosted cover



PMMA clear cover
+Prismatic foil

ACCESSORIES



Outside clip



Steel wire



Internal Clip



Safety wire

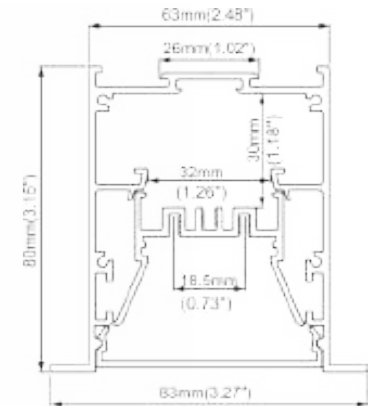
Types of installation:



Material: Extruded aluminum
Dimension: 83x80mm
Length: MAX 5m



LW-ALP-6380-T



FINISH



Anod. aluminum white Black

END CAPS



End Caps

DIFFUSERS



PC frosted cover

ACCESSORIES



Stainless clip



Internal Clip

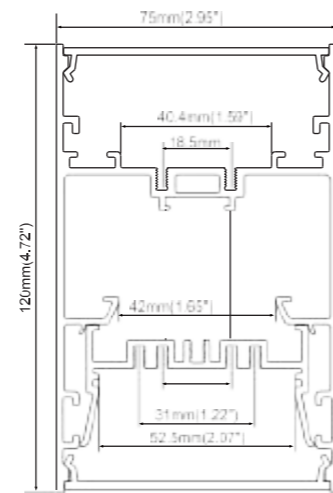
Types of installation:



Material: Extruded aluminum
Dimension: 75x120mm
Length: MAX 5m



LW-ALP-75120



FINISH



END CAPS



Die cast end caps

DIFFUSERS



PC frosted cover

ACCESSORIES



Wall clip



Steel wire



Mounting clip (metal)



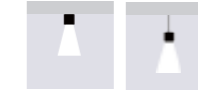
Safety wire



Hanging bracket

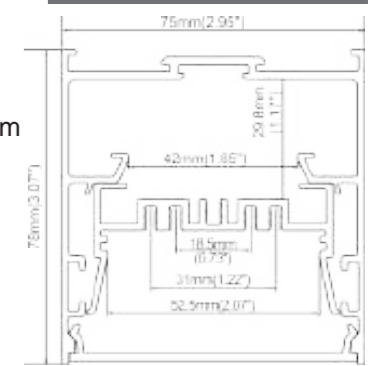


Types of installation:

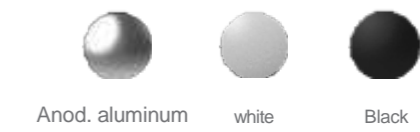


Material: Extruded aluminum
Dimension: 75x78mm
Length: MAX 5m

LW-ALP-7578



FINISH



END CAPS



Die cast end caps

DIFFUSERS



PC frosted cover



PMMA clear cover
+Prismatic foil

ACCESSORIES



Internal Clip



Outside clip




Steel wire

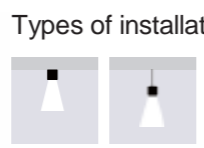


Safety wire



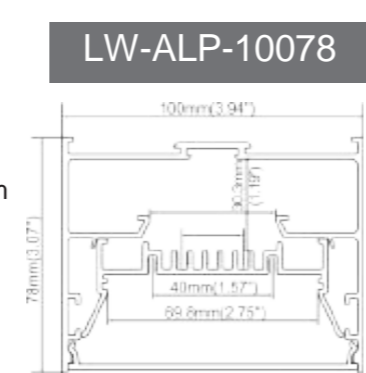


Types of installation:




Material: Extruded aluminum
Dimension: 100x78mm
Length: MAX 6m

LW-ALP-10078



CE R20

FINISH




Anod. aluminum white Black

END CAPS



Die cast end caps

DIFFUSERS




PC frosted cover


ACCESSORIES




Internal Clip



Outside clip



Steel wire



Safety wire



ALP10078



- ① Aluminum profile
- ② Die cast end cap
- ③ Anti light leakage plate
- ④ Outer clip
- ⑤ Suspension kit
- ⑥ Heat sink
- ⑦ LED module
- ⑧ Inner clip with safety rope
- ⑨ Driver
- ⑩ PC frosted diffuser

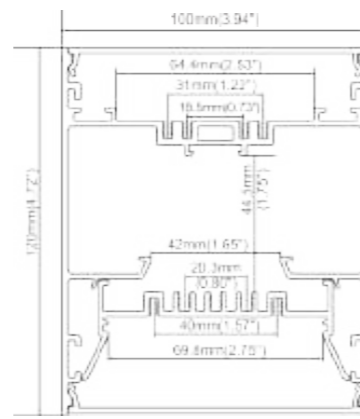
Types of installation:



Material: Extruded aluminum
Dimension: 100x120mm
Length: MAX 5m



LW-ALP-100120



FINISH



END CAPS



Die cast end caps

DIFFUSERS



PC frosted cover

ACCESSORIES



Internal Clip



Steel wire



Hanging bracket



Safety wire

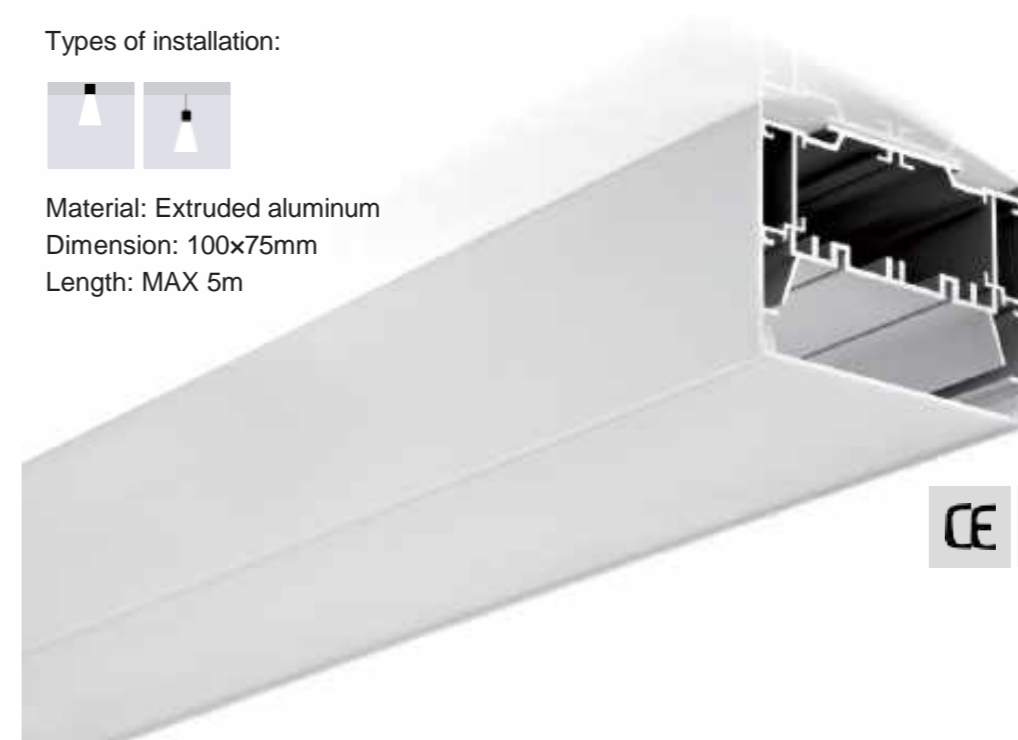


Wall clip

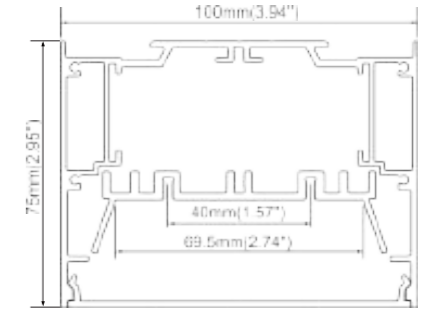
Types of installation:



Material: Extruded aluminum
Dimension: 100x75mm
Length: MAX 5m



ALP10075-R



FINISH



END CAPS



Aluminium end cap without hole

DIFFUSERS



PC frosted cover
PMMA clear cover
Prismatic foil cover

ACCESSORIES



Mounting clip (metal)



Steel wire



Trimless recessed clip



LED Module 2835LED 54W/1.2M



Connector T



Connector X



Connector IL



Connector L



Internal Clip

LW-ALP-023-R2




Types of installation:



Material: Extruded aluminum
Dimension: 14x58mm
Length: MAX 5m

CE R20

FINISH



Anod. aluminum white Black

END CAPS



End cap with hole
End cap without hole

DIFFUSERS



PC diffused cover

LW-ALP-024




Types of installation:



Material: Extruded aluminum
Dimension: 80x50mm
Length: MAX 5m

CE R20

END CAPS



End cap with hole
End cap without hole

DIFFUSERS



PMMA opal matte cover
PMMA semi-clear cover
PC diffused cover

FINISH

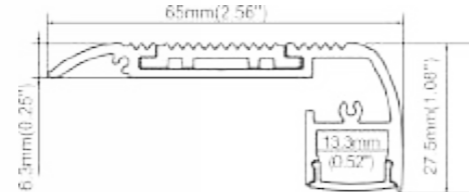


Anod. aluminum Black





LW-ALP-024-R



Types of installation:



Material: Extruded aluminum
Dimension: 65x27.5mm
Length: MAX 5m



END CAPS



End cap with hole
End cap without hole

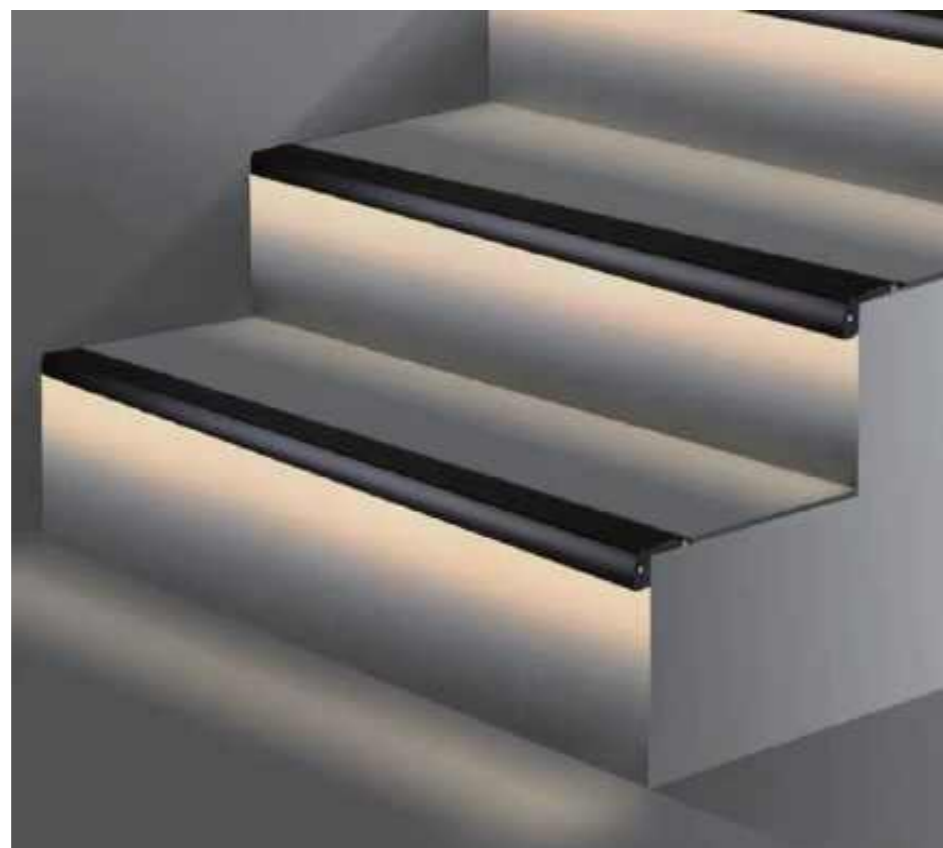
DIFFUSERS



PC diffused cover



PVC anti-skid



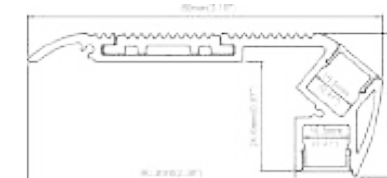
FINISH



Anod. aluminum Black



LW-ALP-024-R1



Types of installation:



Material: Extruded aluminum
Dimension: 80x32mm
Length: MAX 5m



FINISH



Anod. aluminum Black

END CAPS



End cap with hole
End cap without hole

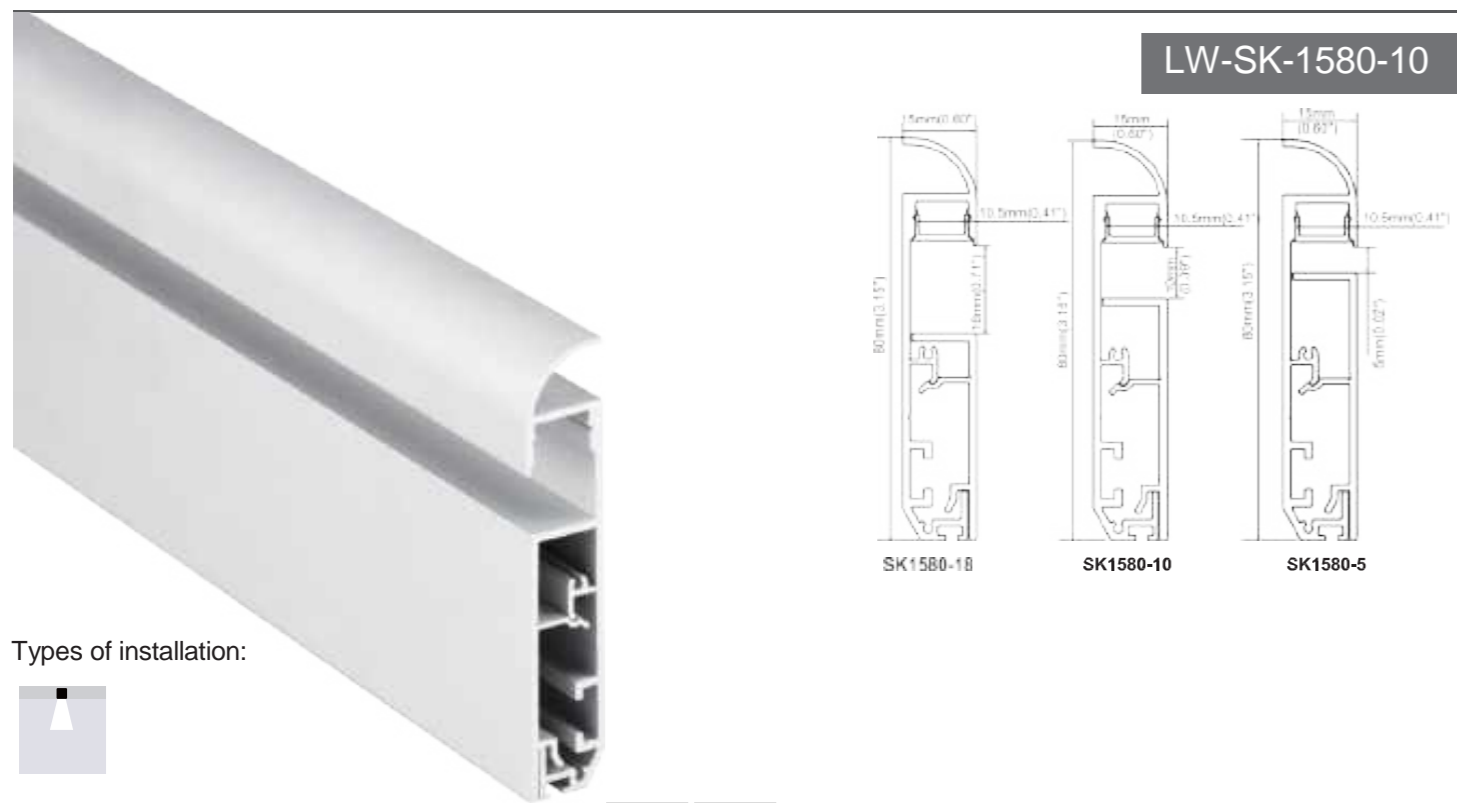
DIFFUSERS



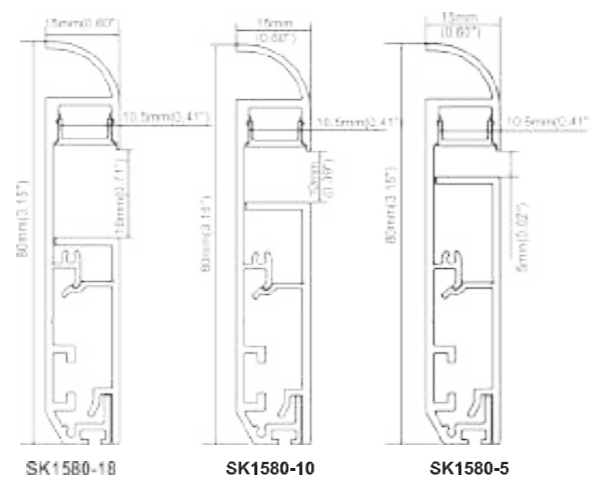
PC diffused cover



PVC anti-skid



LW-SK-1580-10



Types of installation:



Material: Extruded aluminum
Dimension: 15x80mm
Length: MAX 5m



FINISH



END CAPS

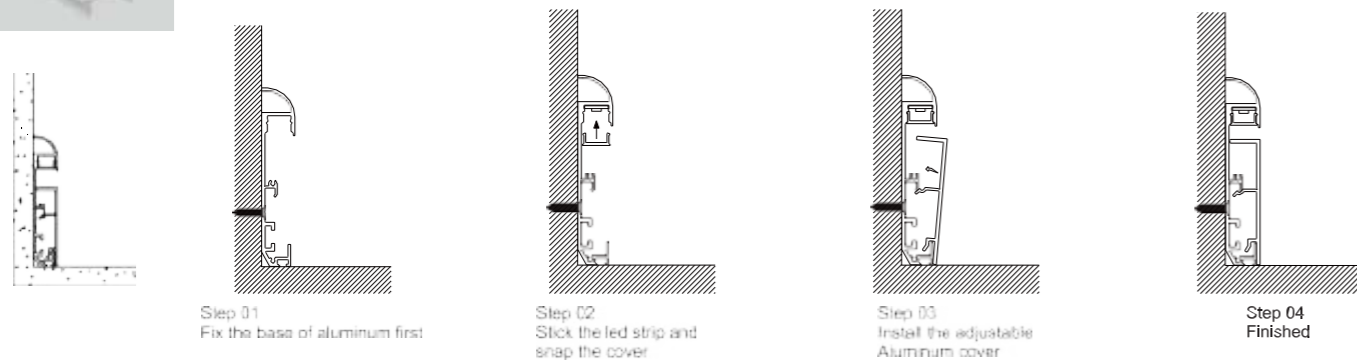


End Caps

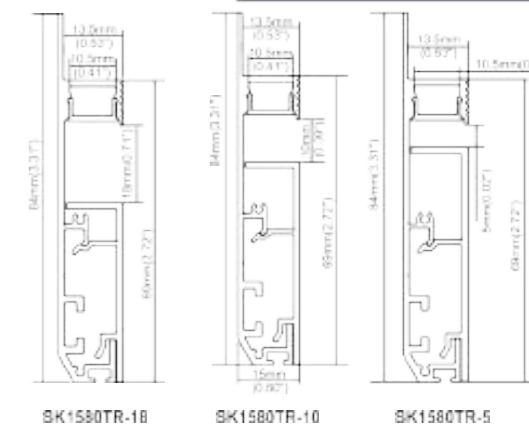
DIFFUSERS



PC diffused cover



LW-SK-580TR-5



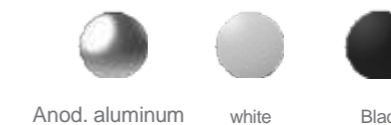
Types of installation:



Material: Extruded aluminum
Dimension: 13.5x84mm
Length: MAX 5m



FINISH



END CAPS

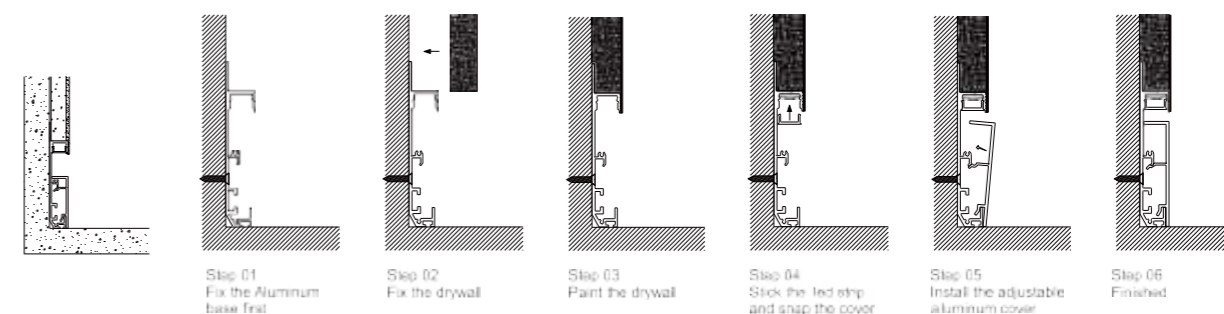


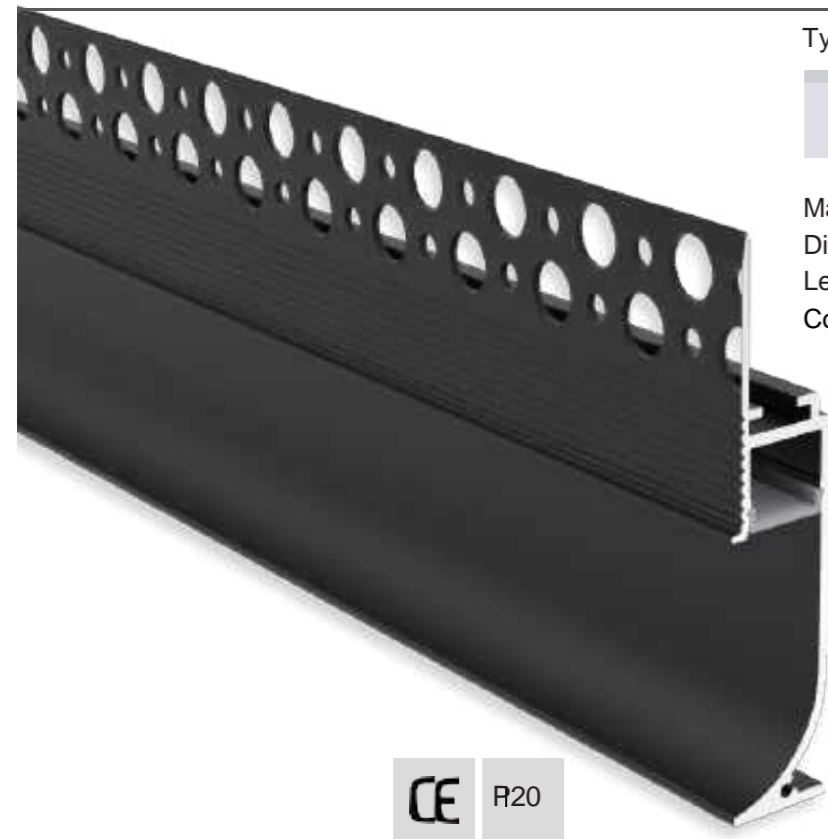
End cap with hole
End cap without hole

DIFFUSERS



PC diffused cover



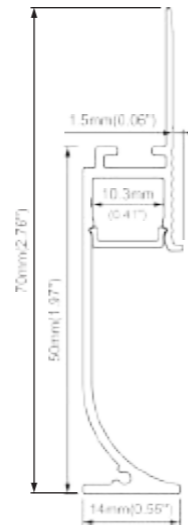


Types of installation:

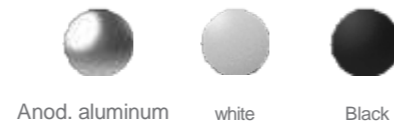


Material: Extruded aluminum
 Dimension: 14x70mm
 Length: MAX 5m
 Compatible with 12.5mm drywall

LW-SK-1270



FINISH



END CAPS



End cap with hole
 End cap without hole

DIFFUSERS



PC diffused cover

ACCESSORIES



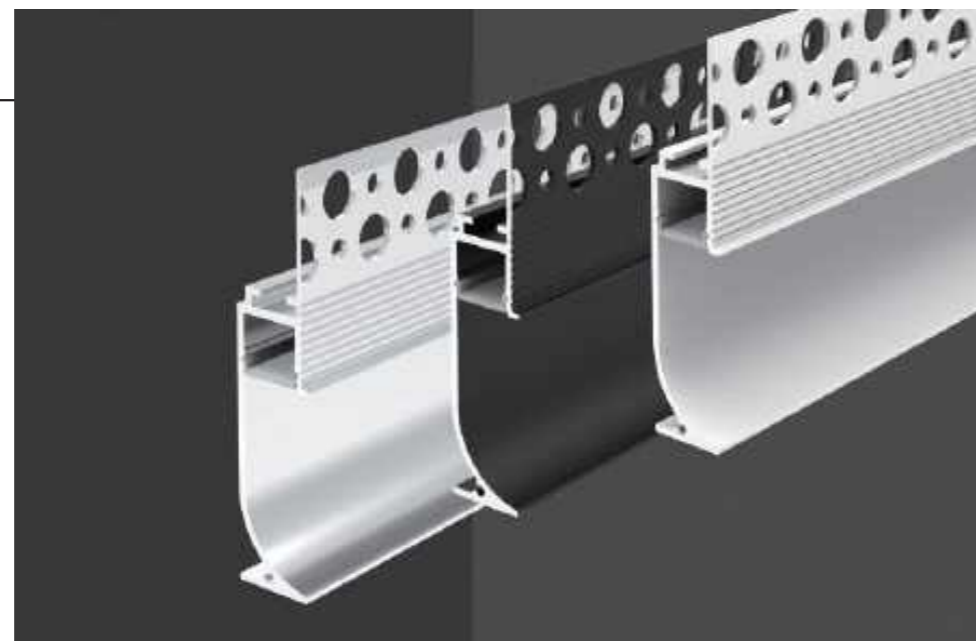
90° Horizontal connector



180° Connector



Disposable cover

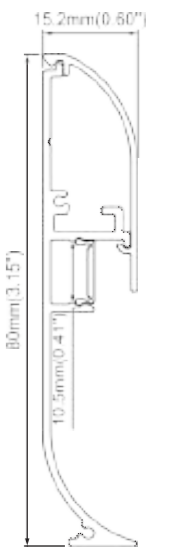


Types of installation:



Material: Extruded aluminum
 Dimension: 15.2x80mm
 Length: MAX 5m

LW-SK-1580-R



FINISH



END CAPS



End caps

DIFFUSERS



PC diffused cover

ACCESSORIES



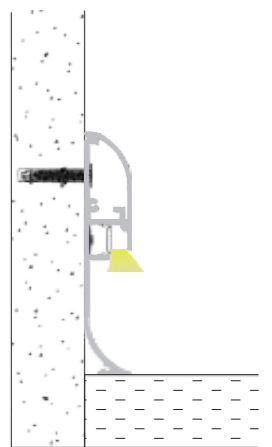
90° Outside Connector



90° Inside Connector



180° Connector





Types of installation:



Material: Extruded aluminum
Dimension: 18.5x7mm
Length: MAX 5m

FINISH



END CAPS



End cap with hole
End cap without hole

DIFFUSERS



PC diffused cover



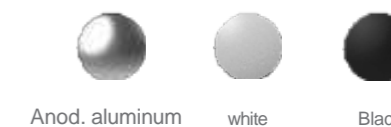
Types of installation:



Material: Extruded aluminum
Dimension: 18.5x7mm
Length: MAX 5m



FINISH



END CAPS



End cap with hole
End cap without hole

DIFFUSERS



PC diffused cover

ACCESSORIES



Adjustable bracket



Mounting clip (metal)

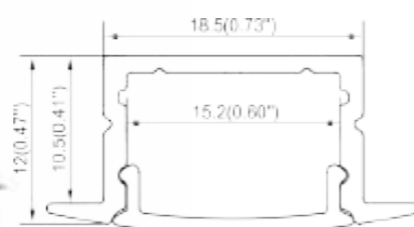


45° Mounting clip





LW-ALP1-49



Types of installation:



Material: Extruded aluminum
Dimension: 18.5x12mm
Length: MAX 5m



FINISH



Anod. aluminum white Black

END CAPS



End cap with hole
End cap without hole

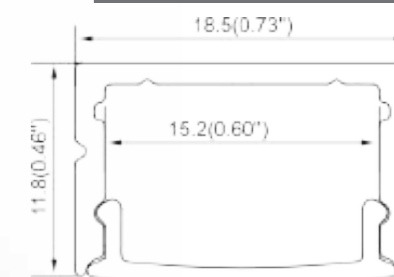
DIFFUSERS



PC diffused cover



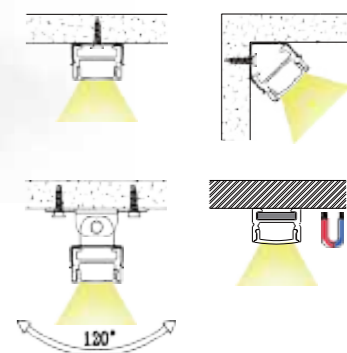
LW-ALP1-150



Types of installation:



Material: Extruded aluminum
Dimension: 18.5x11.8mm
Length: MAX 5m



FINISH



Anod. aluminum white Black

END CAPS



End cap with hole
End cap without hole

DIFFUSERS



PC diffused cover

ACCESSORIES



Adjustable bracket



Mounting clip (metal)



45° clip





Types of installation:



Material: Extruded aluminum
Dimension: 18.5x16mm
Length: MAX 5m



END CAPS



End cap with hole
End cap without hole

DIFFUSERS



PC diffused cover

ACCESSORIES



Spring clip



90° Horizontal connector



90° Vertical connector



135° Horizontal connector



135° Vertical connector



180° Connector

FINISH



Anod. aluminum white Black



Types of installation:



Material: Extruded aluminum
Dimension: 18.5x16mm
Length: MAX 5m



END CAPS



End cap with hole
End cap without hole

DIFFUSERS



PC diffused cover

ACCESSORIES



Mounting clip (metal)



Adjustable bracket



Magnet



45° Clip



90° Horizontal connector



90° Vertical connector



135° Horizontal connector



135° Vertical Connector

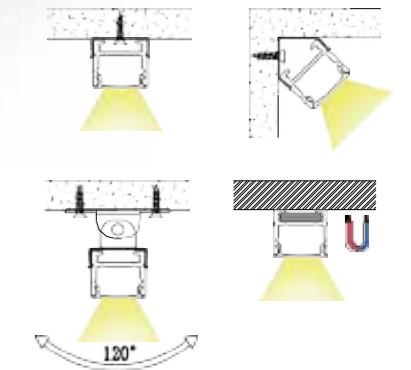


180° Connector

FINISH



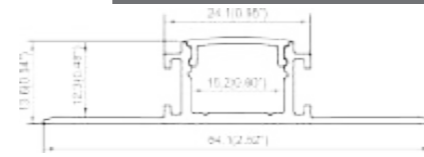
Anod. aluminum white Black



Types of installation:



LW-ALP-155



Material: Extruded aluminum
Dimension: 64.1x13.6mm
Length: MAX 6m
Compatible with 12.5mm drywall



FINISH



Anod. aluminum white Black



END CAPS



End cap with hole
End cap without hole

DIFFUSERS



PC diffused cover

ACCESSORIES



90° Horizontal connector



90° Vertical connector



180° Connector

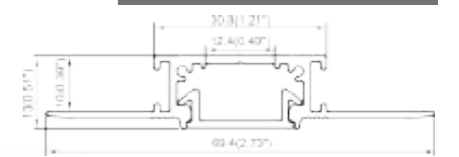


Disposable cover

Types of installation:



LW-ALP-156



Material: Extruded aluminum
Dimension: 13x69.4mm
Length: MAX 5m
Compatible with 12.5mm drywall



FINISH



Anod. aluminum white Black

END CAPS



End cap with hole
End cap without hole

DIFFUSERS



PC diffused cover



Black diffused cover

ACCESSORIES



90° Horizontal connector

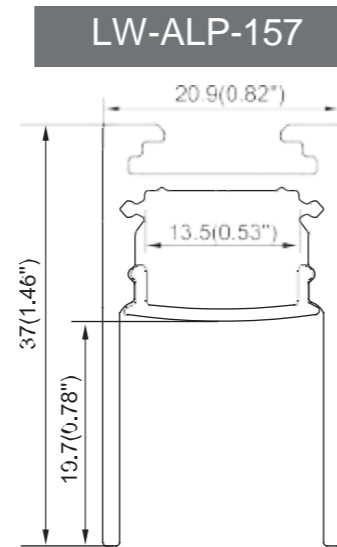


90° Vertical connector

Types of installation:



Material: Extruded aluminum
Dimension: 20.9x37mm
Length: MAX 5m

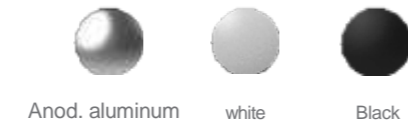


END CAPS



End cap with hole
End cap without hole

FINISH



Anod. aluminum white Black

DIFFUSERS



PC diffused cover



PMMA clear cover
+Prismatic foil

ACCESSORIES



Mounting clip (metal)



Hanging bracket



90° Horizontal connector

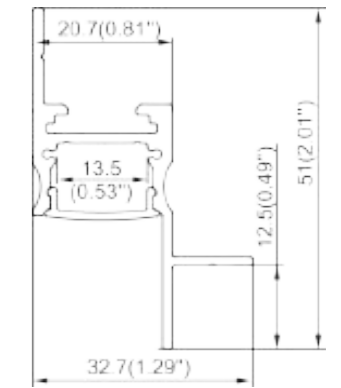


180° Connector



Steel wire

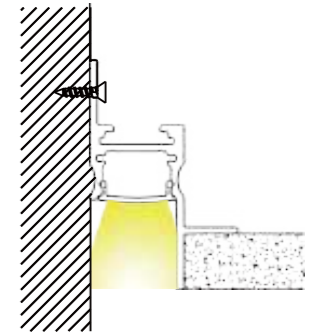
LW-ALP-158



Types of installation:



Material: Extruded aluminum
Dimension: 32.7x51mm
Length: MAX 5m

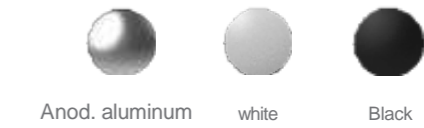


END CAPS



End cap with hole
End cap without hole

FINISH



Anod. aluminum white Black

DIFFUSERS



PC diffused cover



PMMA clear cover
+Prismatic foil

ACCESSORIES

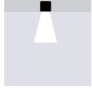


90° Horizontal connector




180° Connector

Types of installation:



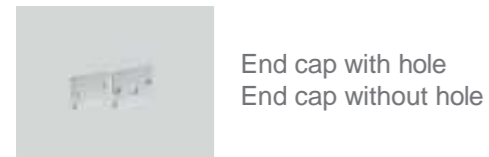
LW-WALP-159-TR



Material: Extruded aluminum
Dimension: 40.7x51mm
Length: MAX 5m
Compatible with 12.5mm drywall



END CAPS



FINISH



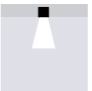
DIFFUSERS



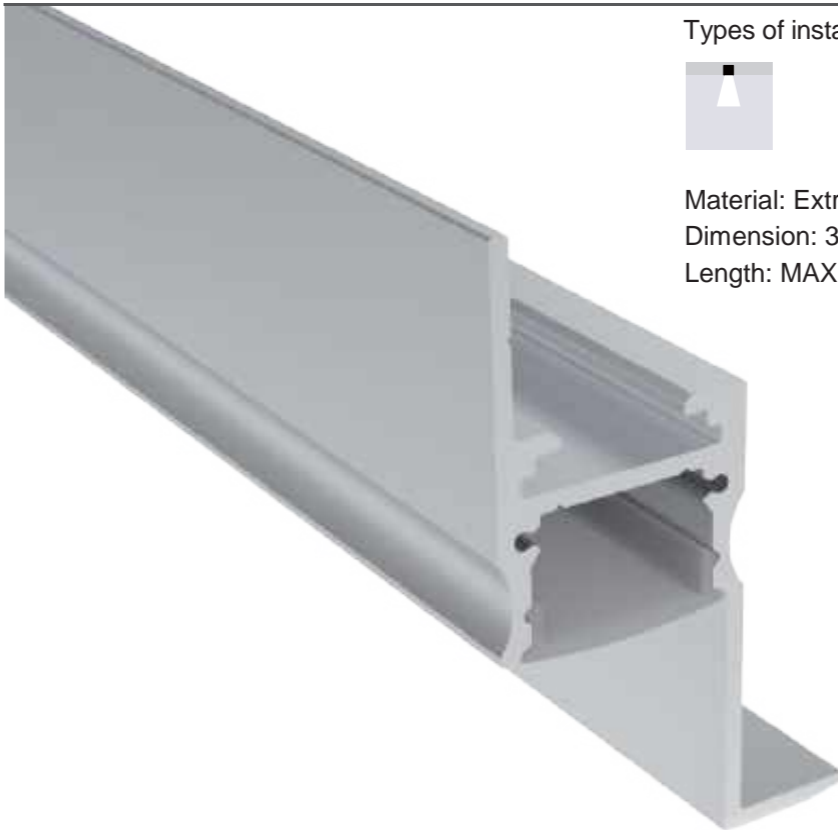
ACCESSORIES



Types of installation:



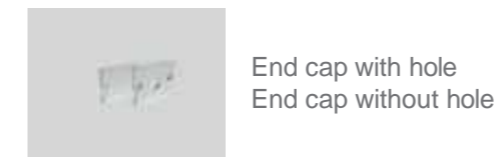
LW-ALP-159



Material: Extruded aluminum
Dimension: 30.7x51mm
Length: MAX 5m



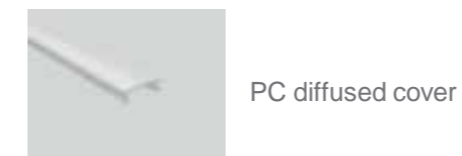
END CAPS



FINISH



DIFFUSERS



ACCESSORIES

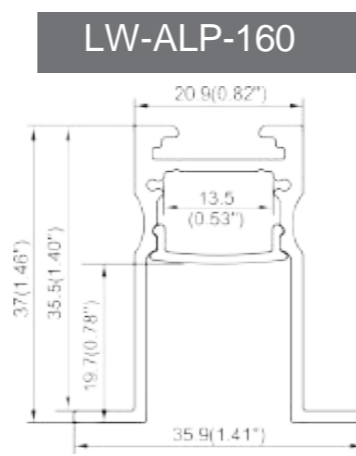




Types of installation:



Material: Extruded aluminum
Dimension: 35.9x37mm
Length: MAX 5m



FINISH



Anod. aluminum white Black

END CAPS



End cap with hole
End cap without hole

DIFFUSERS



PC diffused cover



PMMA clear cover
+Prismatic foil

ACCESSORIES



90° Horizontal connector



180° Connector



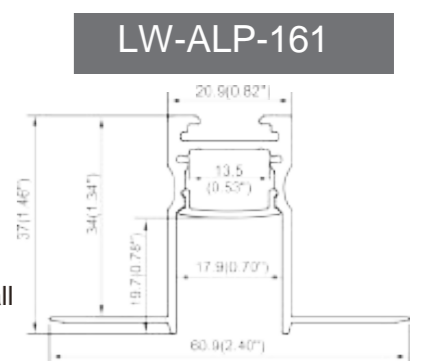
90° Vertical connector



Types of installation:



Material: Extruded aluminum
Dimension: 37x60.9mm
Length: MAX 5m
Compatible with 12.5mm drywall



FINISH



Anod. aluminum white Black

END CAPS



End cap with hole
End cap without hole

DIFFUSERS



PC diffused cover



PMMA clear cover
+Prismatic foil

ACCESSORIES



90° Horizontal connector



180° Connector



90° Vertical connector

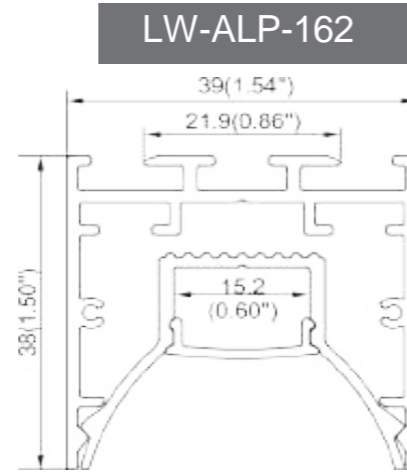
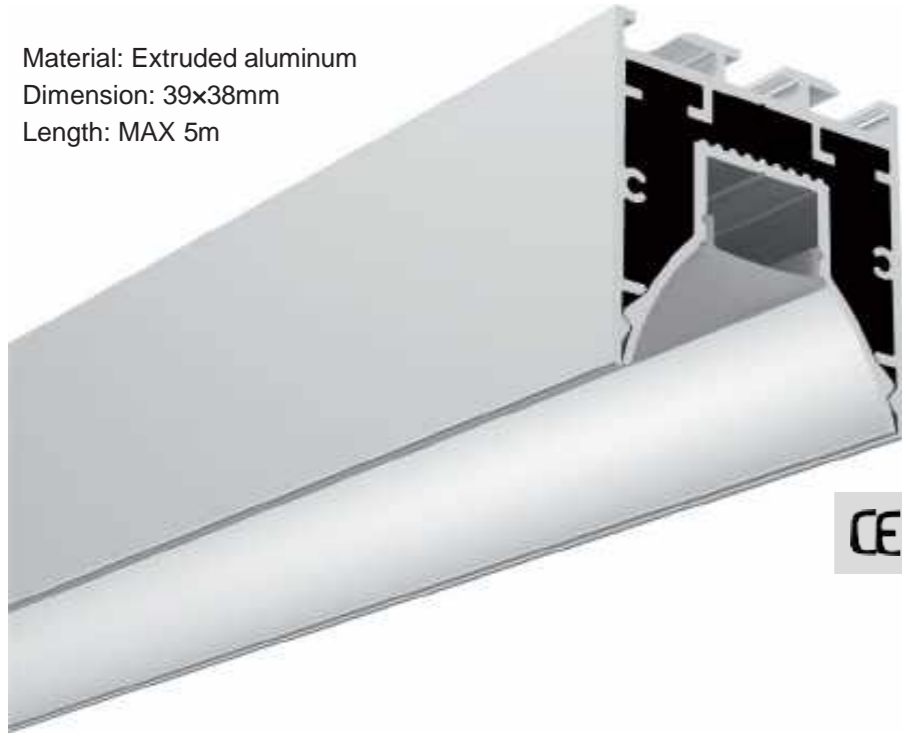


Disposable cover

Types of installation:



Material: Extruded aluminum
Dimension: 39x38mm
Length: MAX 5m



FINISH



END CAPS



End Caps

DIFFUSERS



PC diffused cover



PMMA clear cover
+Prismatic foil

ACCESSORIES



90° Horizontal connector



Steel wire



180° Connector

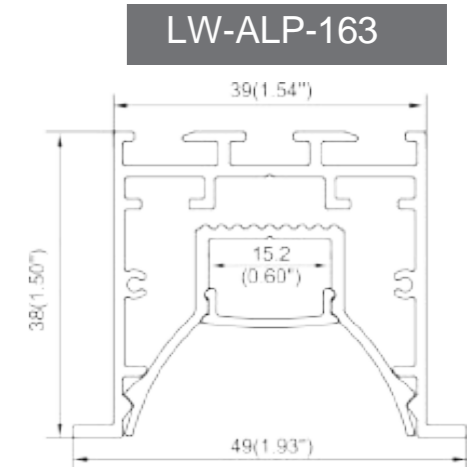
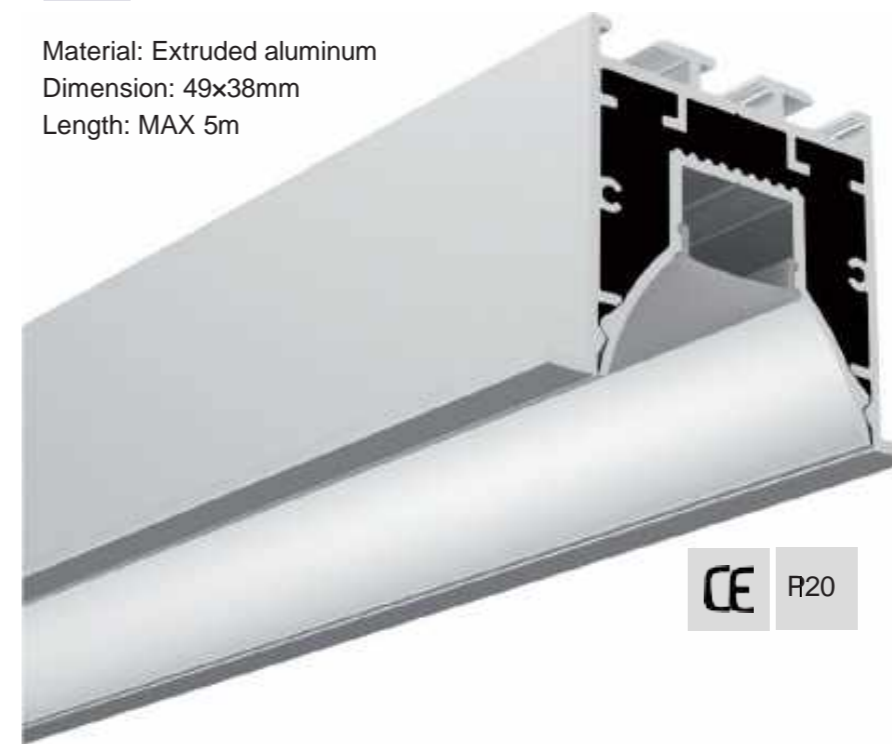


90° Vertical connector

Types of installation:



Material: Extruded aluminum
Dimension: 49x38mm
Length: MAX 5m



FINISH



END CAPS



End cap with hole
End cap without hole

DIFFUSERS



PC diffused cover



PMMA clear cover
+Prismatic foil

ACCESSORIES



90° Horizontal connector



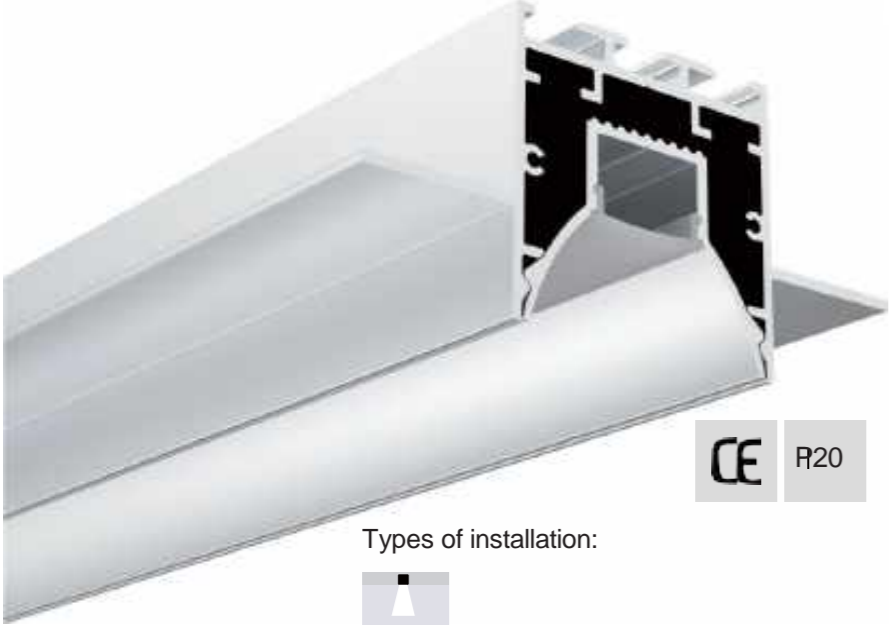
Spring clip



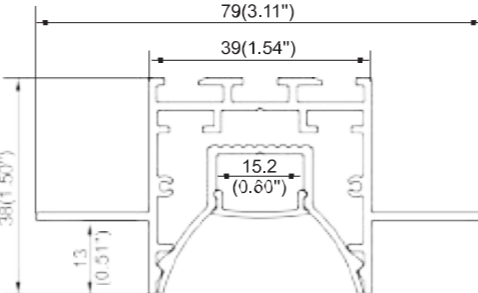
180° Connector



90° Vertical connector

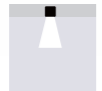


LW-ALP-164






CE R20

Types of installation:

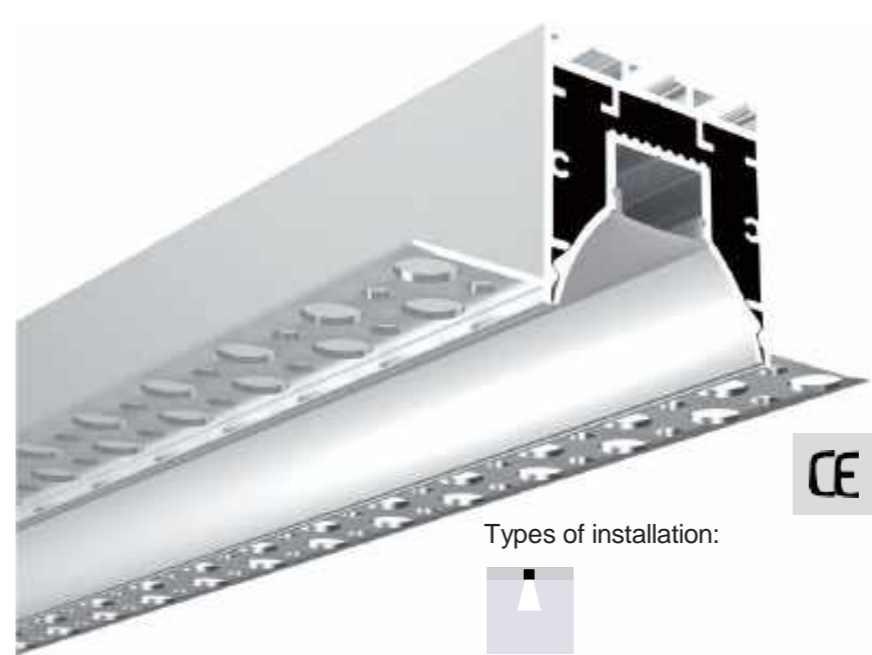


Material: Extruded aluminum
Dimension: 79x38mm
Length: MAX 5m
Compatible with 12.5mm drywall

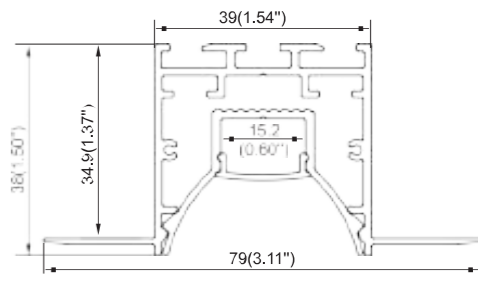
FINISH

Anod. aluminum white Black




LW-ALP-165






CE R20

Types of installation:



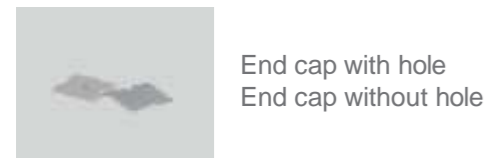
Material: Extruded aluminum
Dimension: 79x38mm
Length: MAX 5m
Compatible with 12.5mm&16mm drywall

FINISH

Anod. aluminum white Black

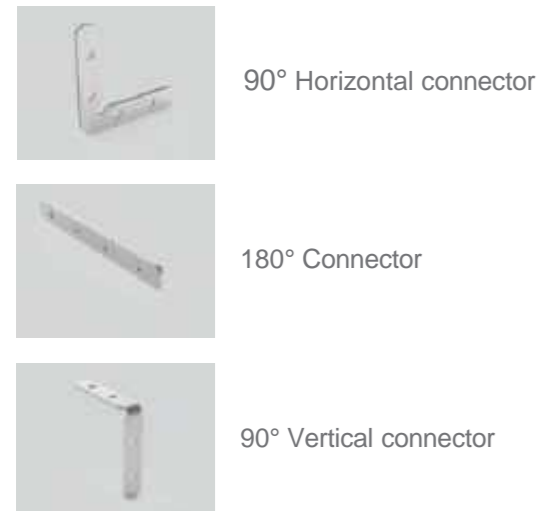
END CAPS



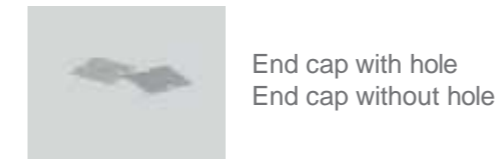
DIFFUSERS



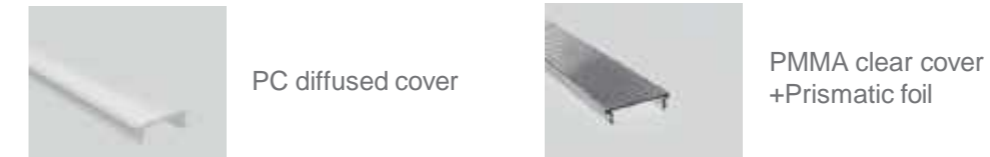
ACCESSORIES



END CAPS




DIFFUSERS




ACCESSORIES



LW-ALP-166




Types of installation: 

Material: Extruded aluminum
Dimension: 33x14mm
Length: MAX 5m
Compatible with 12.5mm drywall




CE R20

END CAPS

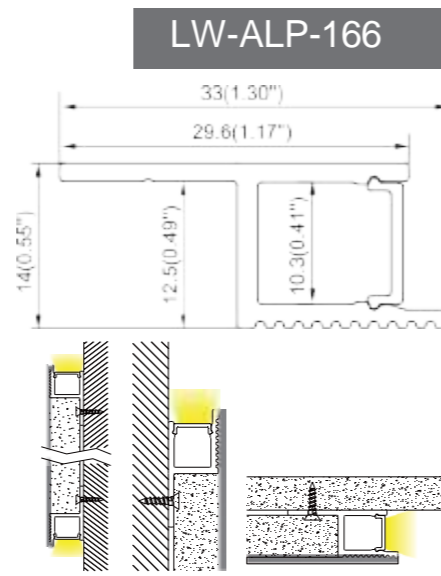


End cap with hole
End cap without hole

FINISH






Anod. aluminum white Black




Dimensions: 33(1.30"), 29.6(1.17"), 14(0.55"), 12.5(0.49"), 10.3(0.41")


DIFFUSERS



PC diffused cover

ALP167




Types of installation: 

Material: Extruded aluminum
Dimension: 14.2x147mm
Length: MAX 5m
Compatible with 12.5mm drywall




CE R20

END CAPS

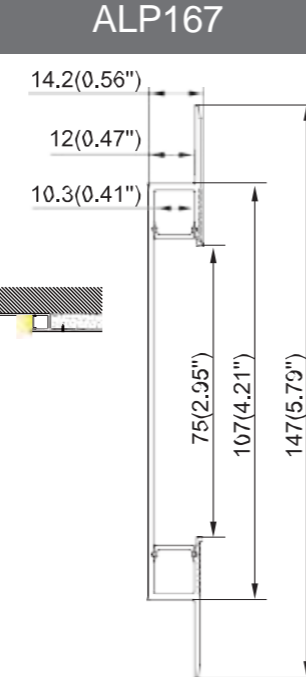


End cap with hole
End cap without hole

FINISH






Anod. aluminum white Black




Dimensions: 14.2(0.56"), 12(0.47"), 10.3(0.41"), 75(2.95"), 107(4.21"), 147(5.79")

DIFFUSERS




PC diffused cover


ACCESSORIES



Disposable cover

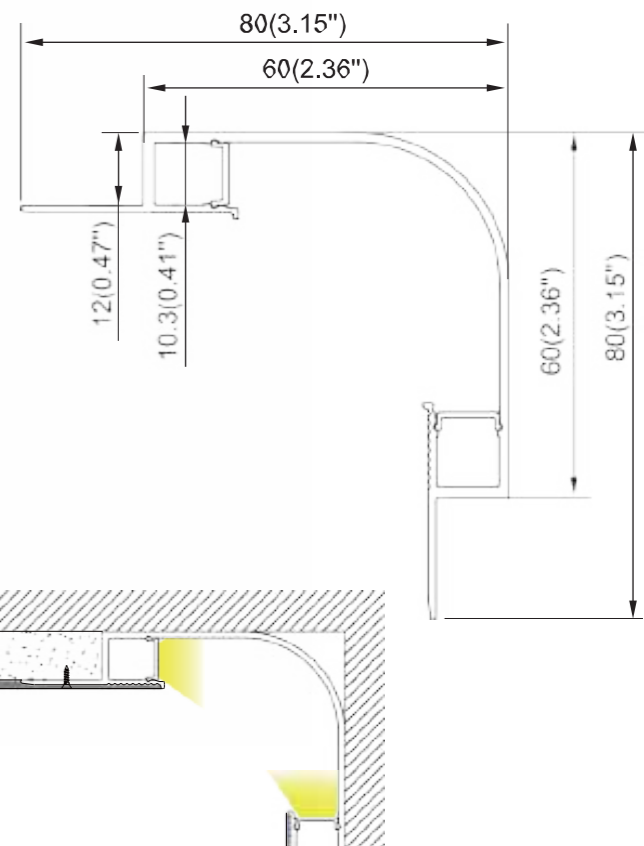
LW-ALP-168



Types of installation: 


Material: Extruded aluminum
Dimension: 80x80mm
Length: MAX 5m
Compatible with 12.5mm drywall

CE R20




Dimensions: 80(3.15"), 60(2.36"), 12(0.47"), 10.3(0.41"), 60(2.36"), 80(3.15")

END CAPS



End cap with hole
End cap without hole

DIFFUSERS



PC diffused cover

ACCESSORIES




Disposable cover

FINISH






Anod. aluminum white Black

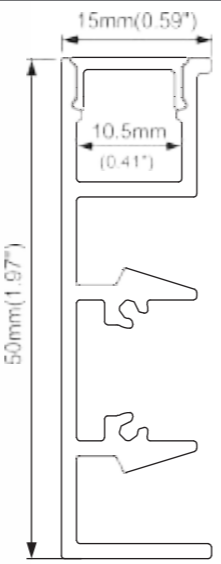


Types of installation:



Material: Extruded aluminum
Dimension: 15x50mm
Length: MAX 5m

LW-ALP-169



CE **R20**

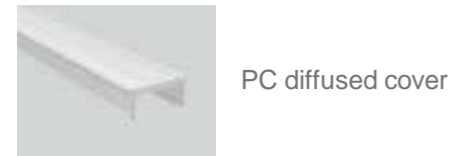
END CAPS



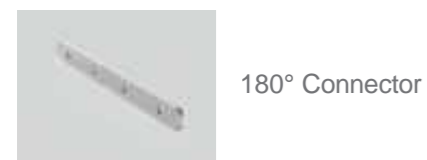
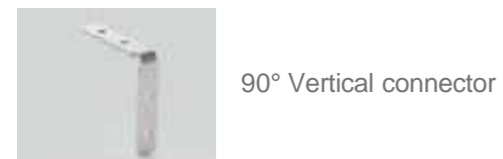
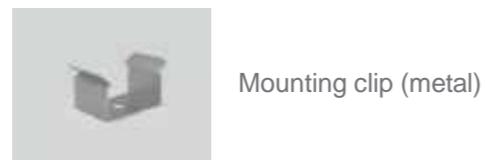
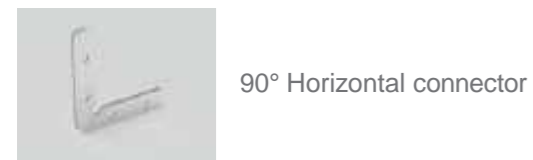

FINISH




DIFFUSERS



ACCESSORIES

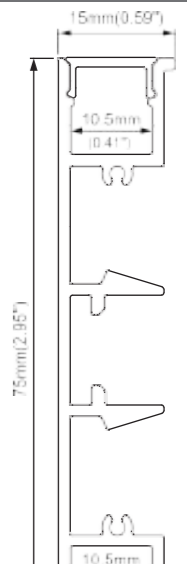



Types of installation:



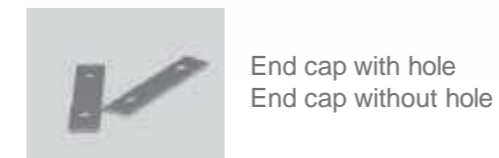
Material: Extruded aluminum
Dimension: 15x75mm
Length: MAX 5m

LW-ALP-170



CE **R20**

END CAPS



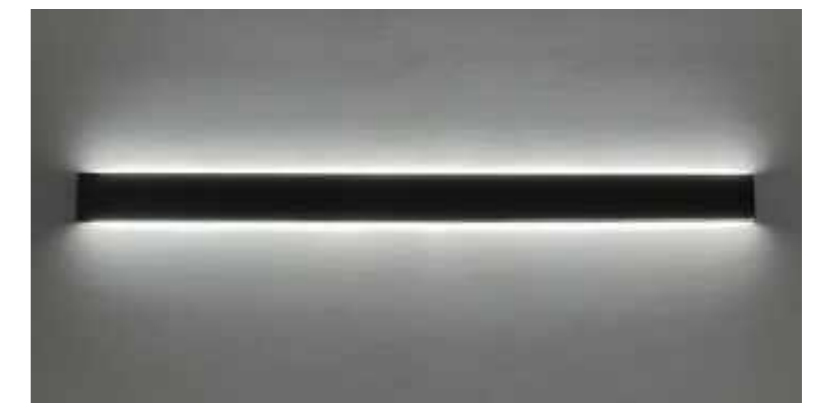
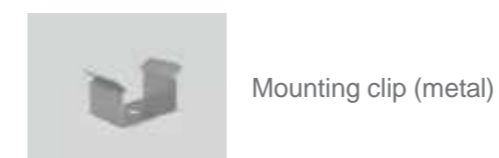
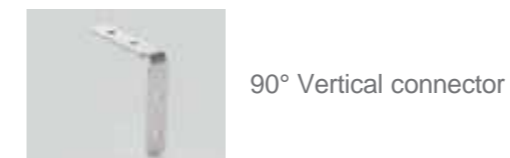
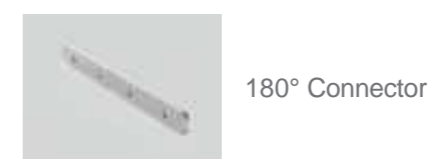
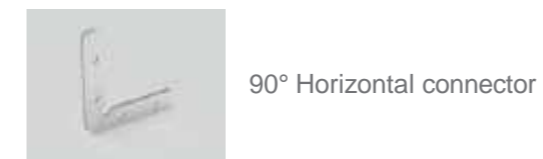
FINISH



DIFFUSERS



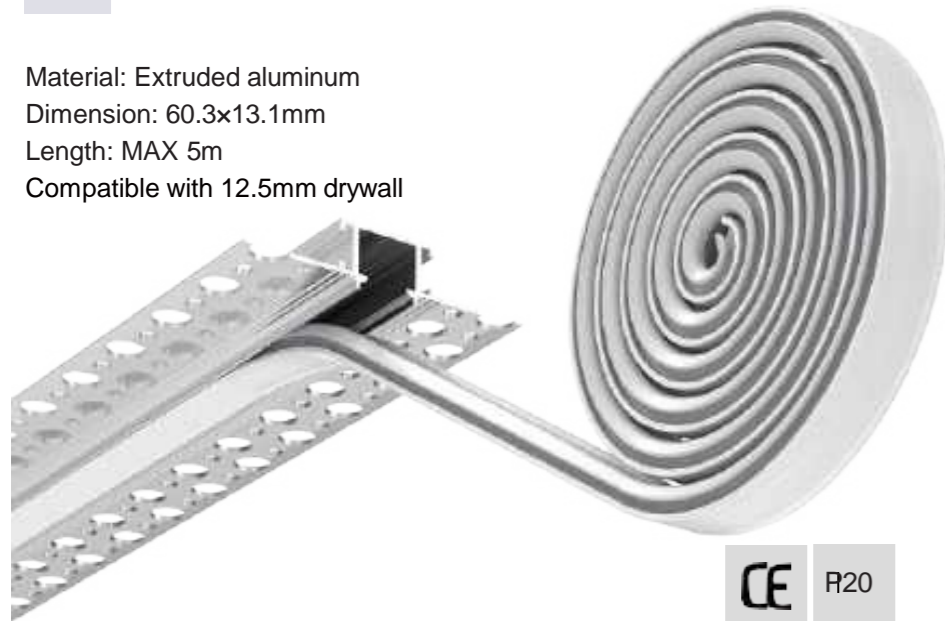
ACCESSORIES



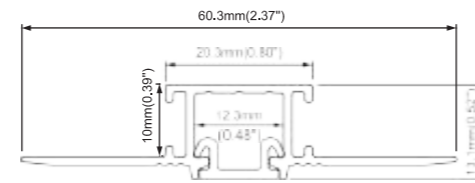
Types of installation:



Material: Extruded aluminum
 Dimension: 60.3x13.1mm
 Length: MAX 5m
 Compatible with 12.5mm drywall



LW-ALP-171



END CAPS



End cap with hole
 End cap without hole

DIFFUSERS



PC diffused cover



Black diffused cover

ACCESSORIES



90° Horizontal connector



90° Vertical connector



180° Connector



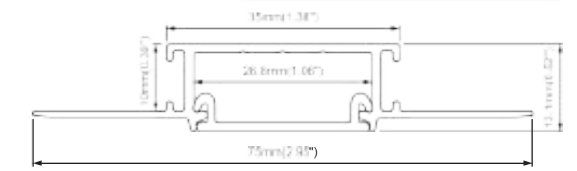
Types of installation:



Material: Extruded aluminum
 Dimension: 75x13.1mm
 Length: MAX 5m
 Compatible with 12.5mm drywall



LW-ALP-172



END CAPS



End Caps

DIFFUSERS



PC diffused cover



Black diffused cover

ACCESSORIES



90° Horizontal connector



90° Vertical connector



180° Connector

FINISH



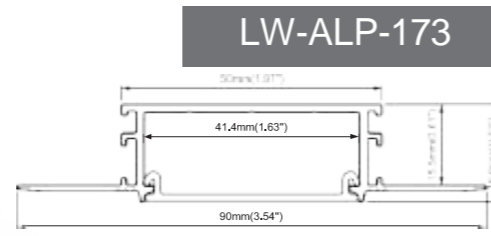
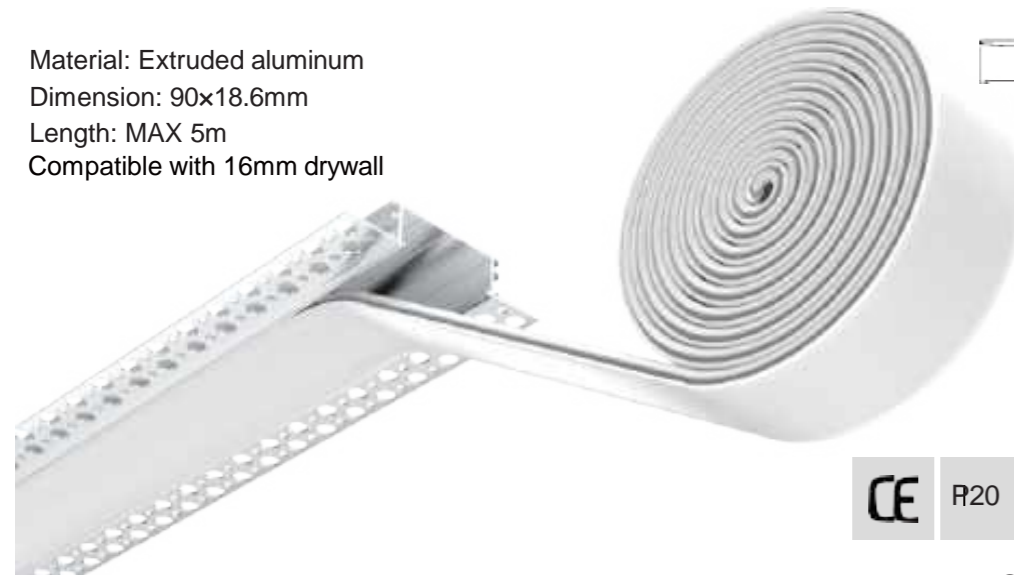
Anod. aluminum white Black



Types of installation:



Material: Extruded aluminum
 Dimension: 90x18.6mm
 Length: MAX 5m
 Compatible with 16mm drywall



FINISH



END CAPS



End cap with hole
 End cap without hole

DIFFUSERS



PC diffused cover



Black diffused cover

ACCESSORIES



90° Horizontal connector



90° Vertical connector

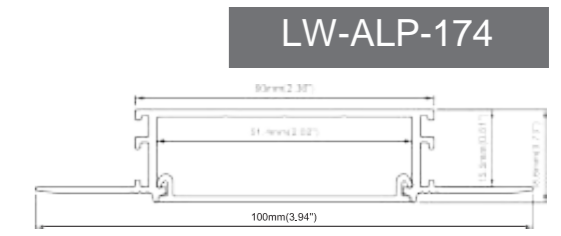
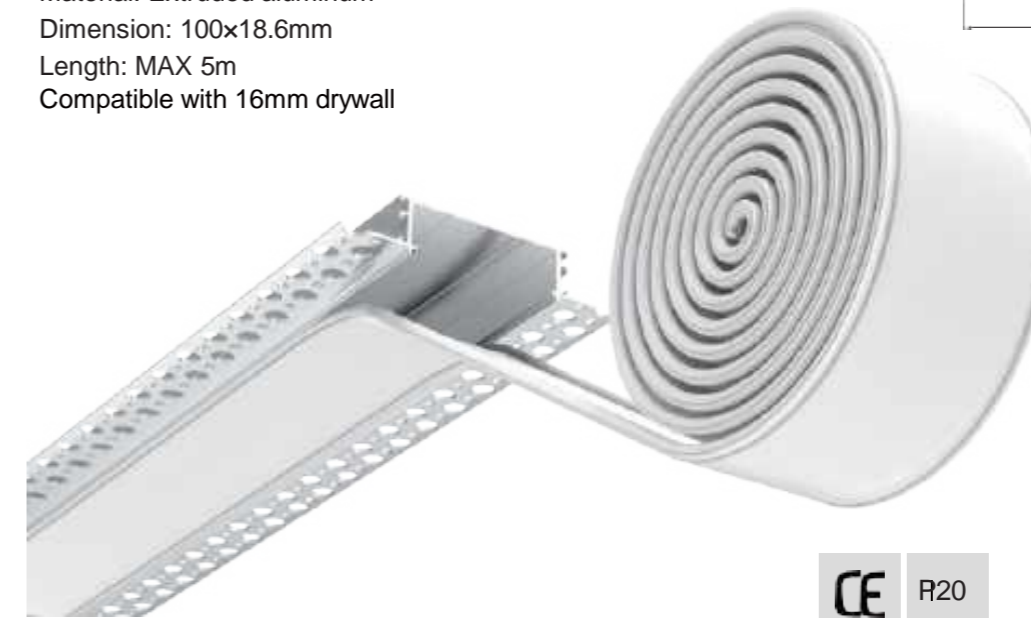


180° Connector

Types of installation:



Material: Extruded aluminum
 Dimension: 100x18.6mm
 Length: MAX 5m
 Compatible with 16mm drywall



FINISH



END CAPS



End cap with hole
 End cap without hole

DIFFUSERS



PC diffused cover



Black diffused cover

ACCESSORIES



90° Horizontal connector



90° Vertical connector



180° Connector



Types of installation:



Material: Extruded aluminum
Dimension: 33x26.2mm
Length: MAX 5m



FINISH



END CAPS



End cap with hole
End cap without hole

DIFFUSERS



PC diffused cover



PMMA clear cover
+Prismatic foil



Black PC frosted cover

ACCESSORIES



90° Horizontal connector



180° Connector

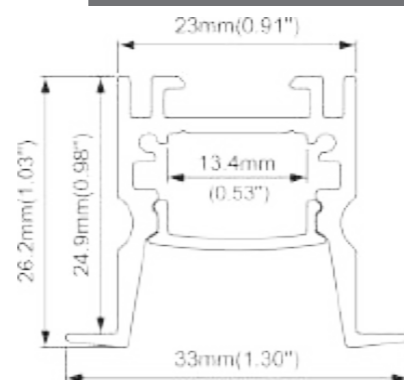


90° Vertical connector



Spring clip

LW-ALP-175



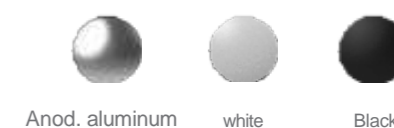
Types of installation:



Material: Extruded aluminum
Dimension: 23x26.2mm
Length: MAX 5m



FINISH



END CAPS



End cap with hole
End cap without hole

DIFFUSERS



PC diffused



PMMA clear cover
+Prismatic foil



Black PC frosted cover

ACCESSORIES



90° Horizontal connector



Hanging bracket



180° Connector



Steel wire

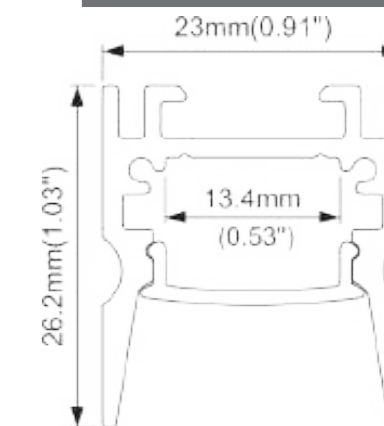


90° Vertical connector



Mounting clip (surface)

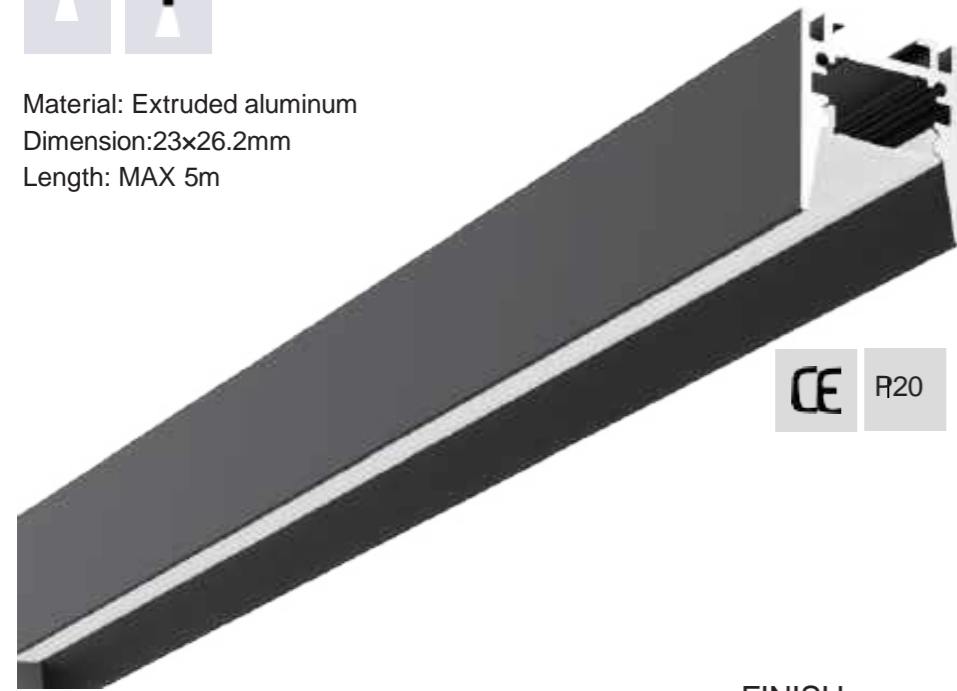
LW-ALP-176



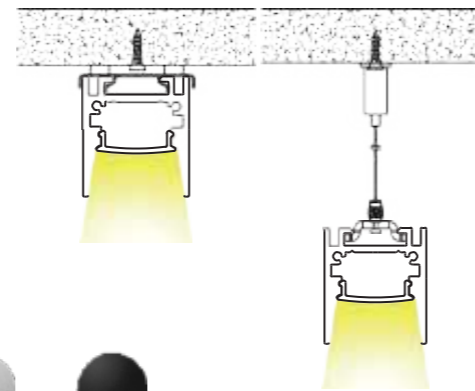
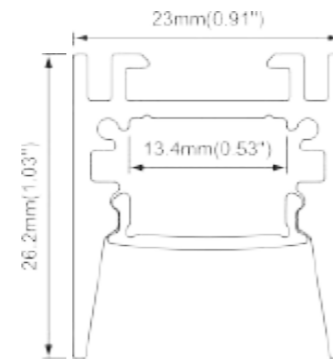
Types of installation:



Material: Extruded aluminum
Dimension: 23x26.2mm
Length: MAX 5m



LW-ALP-176-R



FINISH



Anod. aluminum white Black

END CAPS



End cap with hole
End cap without hole

DIFFUSERS



PC diffused cover



PMMA clear cover
+Prismatic foil



Black PC frosted cover

ACCESSORIES



90° Horizontal connector



Hanging bracket



180° Connector



Steel wire



90° Vertical connector



Mounting clip (surface)

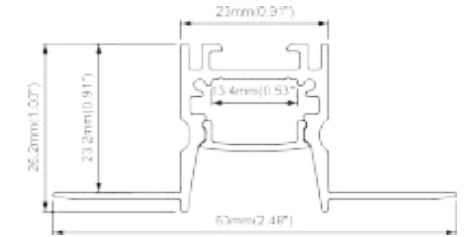
Types of installation:



Material: Extruded aluminum
Dimension: 63x26.2mm
Length: MAX 5m
Compatible with 12.5mm drywall



LW-ALP-177



FINISH



Anod. aluminum white Black

END CAPS



End cap with hole
End cap without hole

DIFFUSERS



PC diffused cover



PMMA clear cover
+Prismatic foil

ACCESSORIES



90° Horizontal connector



90° Vertical connector



180° Connector



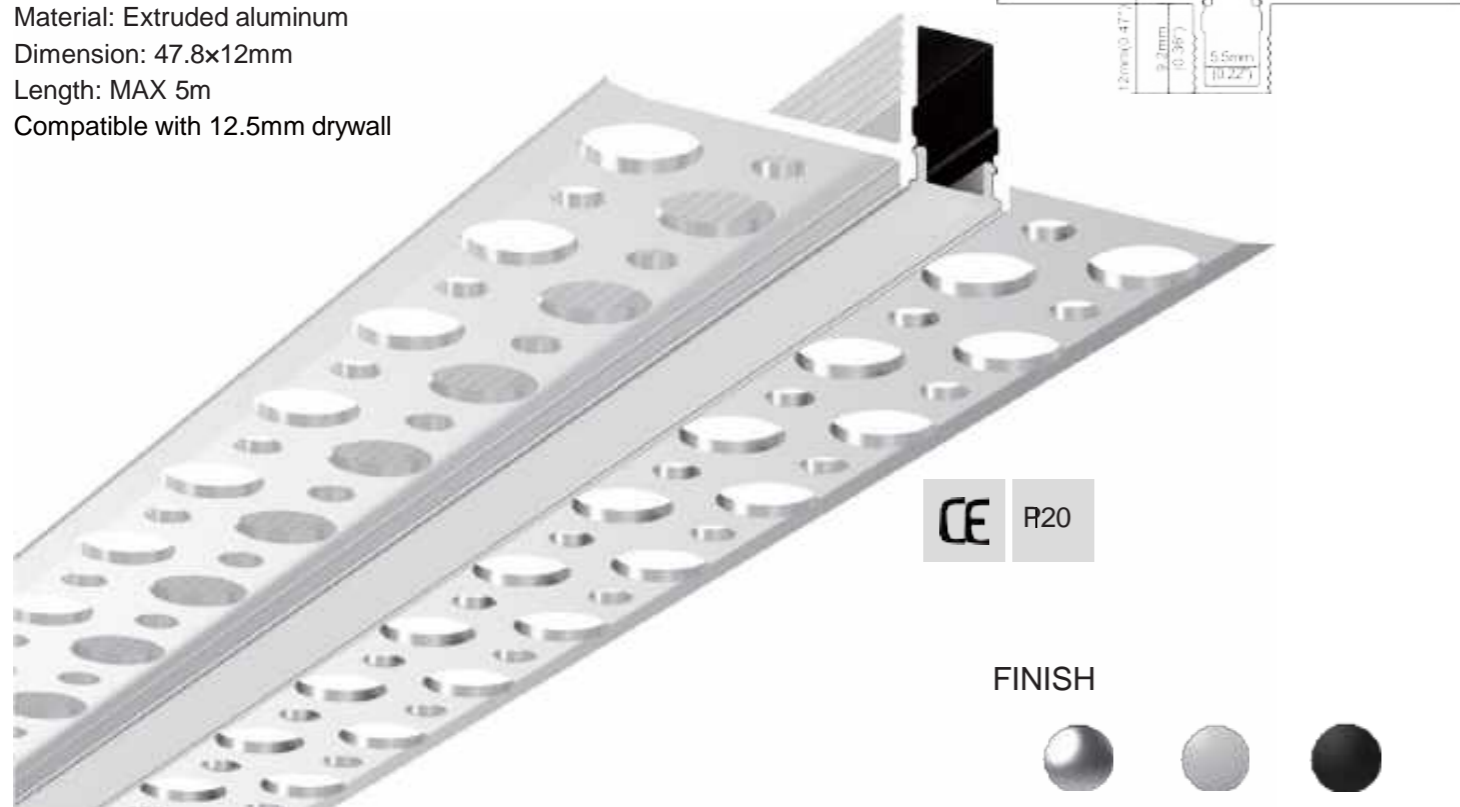
Disposable cover



Types of installation:



Material: Extruded aluminum
 Dimension: 47.8x12mm
 Length: MAX 5m
 Compatible with 12.5mm drywall



FINISH



END CAPS



End cap with hole
 End cap without hole

DIFFUSERS



PC frosted cover

ACCESSORIES



Disposable cover

Types of installation:



Material: Extruded aluminum
 Dimension: 39.6x24.4mm
 Length: MAX 5m
 Compatible with 12.5mm drywall



FINISH



END CAPS



End cap with hole
 End cap without hole

DIFFUSERS



PC frosted cover

ACCESSORIES



Disposable cover

Types of installation:



Material: Extruded aluminum
 Dimension: 44.1x22.2mm
 Length: MAX 5m
 Compatible with 12.5mm drywall



FINISH



END CAPS



End cap with hole
 End cap without hole

DIFFUSERS



PC frosted cover

ACCESSORIES

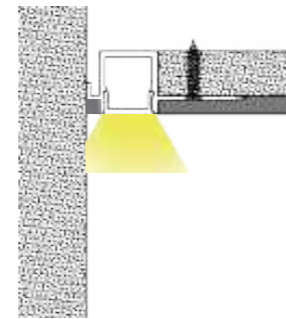
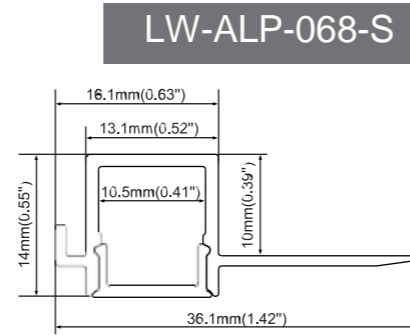
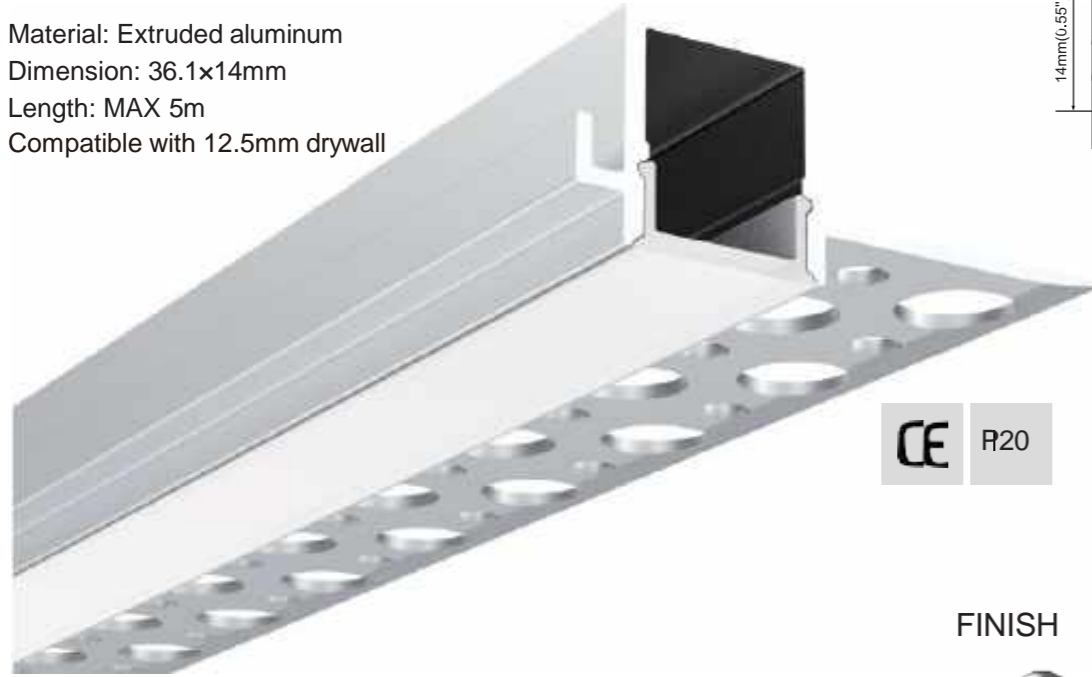


Disposable cover

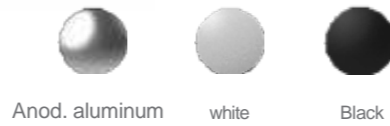
Types of installation:



Material: Extruded aluminum
 Dimension: 36.1x14mm
 Length: MAX 5m
 Compatible with 12.5mm drywall



FINISH



END CAPS



End cap with hole
 End cap without hole

DIFFUSERS



PC diffused cover



Black PC frosted cover

ACCESSORIES

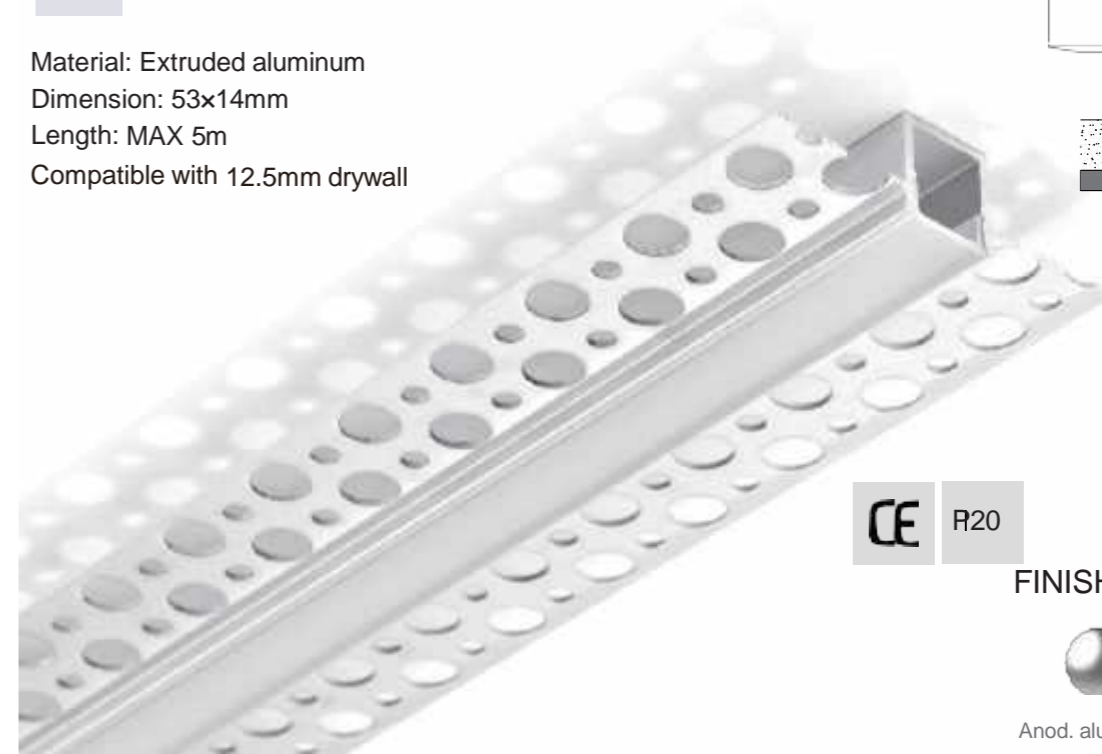


Disposable cover

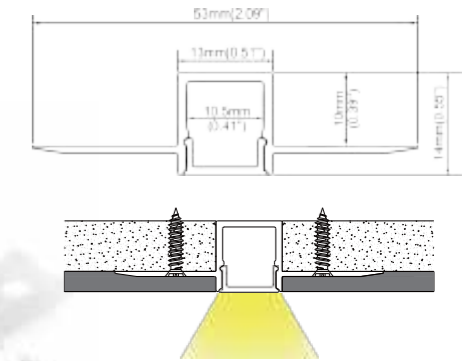
Types of installation:



Material: Extruded aluminum
 Dimension: 53x14mm
 Length: MAX 5m
 Compatible with 12.5mm drywall



LW-ALP-068-R



FINISH



END CAPS



End cap with hole
 End cap without hole

DIFFUSERS



PC diffused cover



Black PC frosted cover

ACCESSORIES

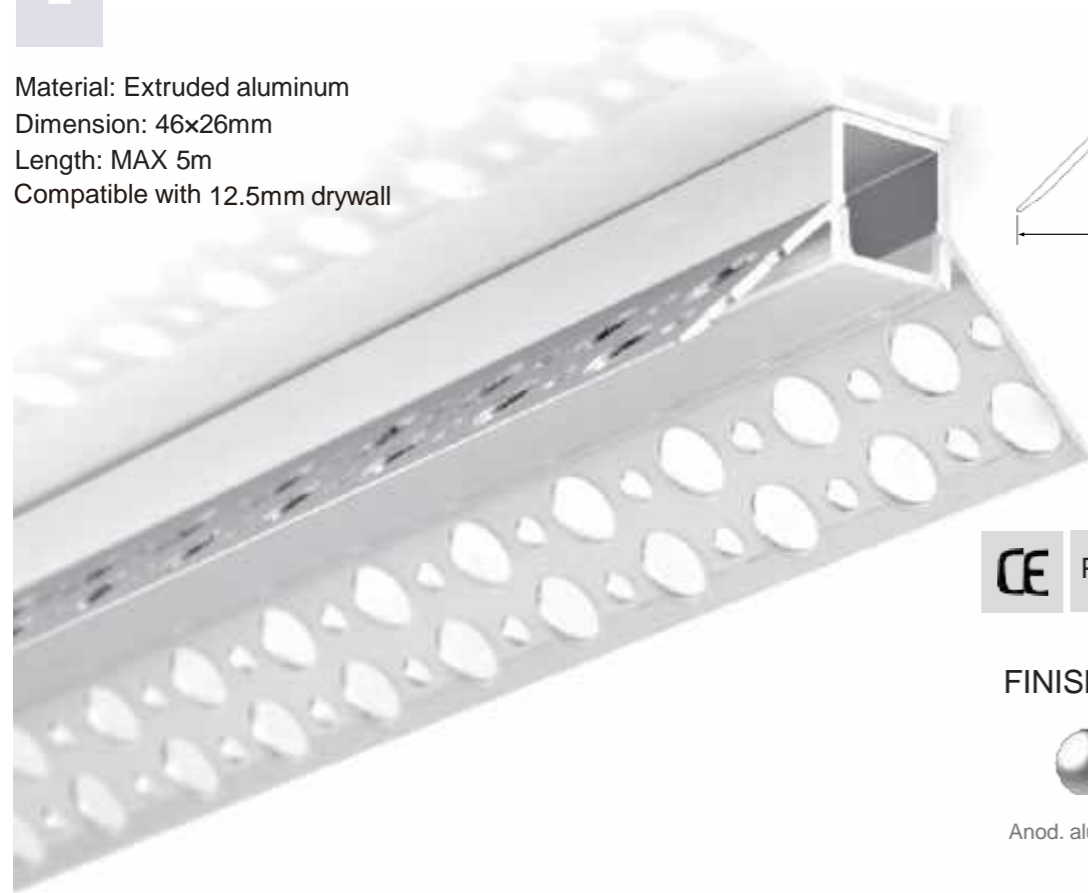


Disposable cover

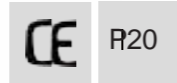
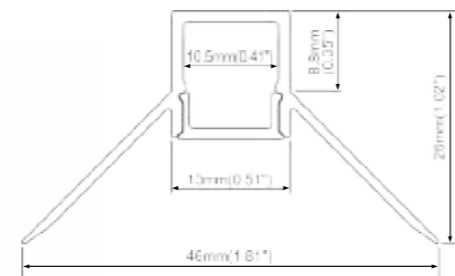
Types of installation:



Material: Extruded aluminum
 Dimension: 46x26mm
 Length: MAX 5m
 Compatible with 12.5mm drywall



LW-ALP-069-R



FINISH



END CAPS



End cap with hole
 End cap without hole

DIFFUSERS



PC diffused cover



Black PC frosted cover



PMMA clear cover
 +Prismatic foil

ACCESSORIES



Disposable cover

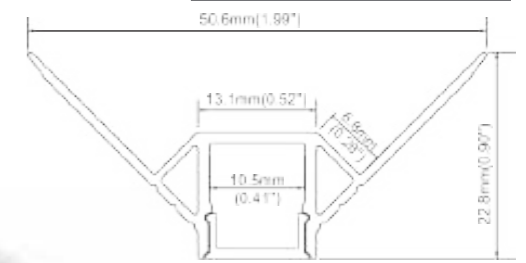
Types of installation:



Material: Extruded aluminum
 Dimension: 50.6x22.8mm
 Length: MAX 5m
 Compatible with 12.5mm drywall



LW-ALP-070-R



FINISH



END CAPS



End cap with hole
 End cap without hole

DIFFUSERS



PC diffused cover



Black PC frosted cover



PMMA clear cover
 +Prismatic foil

ACCESSORIES



Disposable cover

LW-ALP-070-V

30.1mm (1.18")

10.5mm (0.41")

50.6mm (1.99")

Types of installation:

Material: Extruded aluminum
Dimension: 50.6x30.1mm
Length: MAX 5m
Compatible with 12.5mm drywall

CE R20

FINISH

Anod. aluminum white Black

END CAPS

End cap with hole
End cap without hole

DIFFUSERS

PC diffused cover

ACCESSORIES

Disposable cover

Types of installation:



Material: Extruded aluminum
Dimension: 58.7x14mm
Length: MAX 5m
Compatible with 12.5mm drywall

LW-ALP-068-R2

58.7mm (2.31")

18.7mm (0.74")

10.5mm (0.41")

14mm (0.55")

13.5mm (0.52")

CE R20

END CAPS

End cap with hole
End cap without hole

DIFFUSERS

PC diffused cover Black PC frosted cover

ACCESSORIES

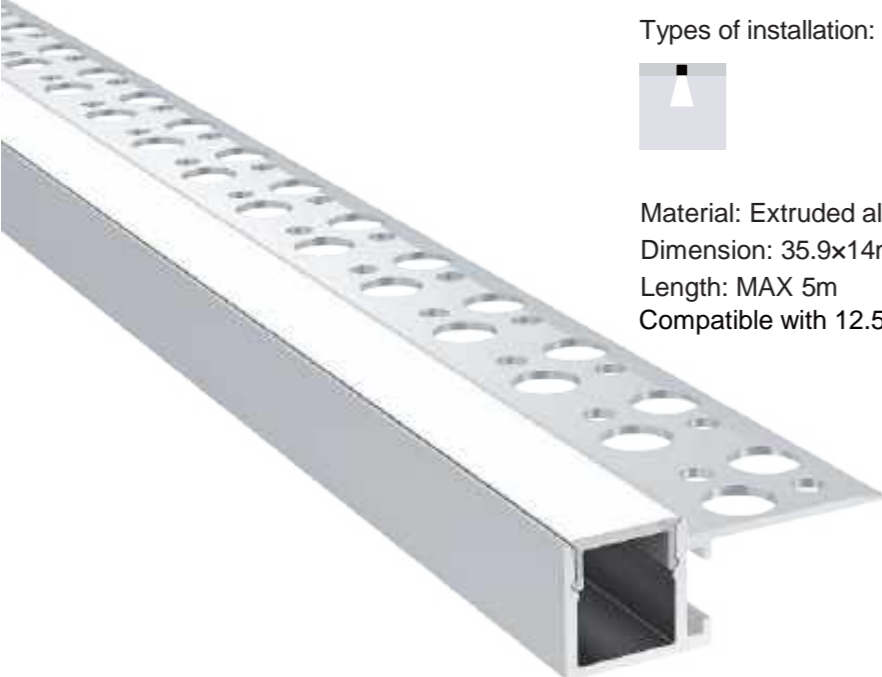
180° Connector


120° Horizontal connector

90° Horizontal connector

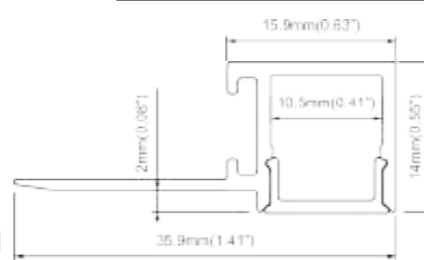
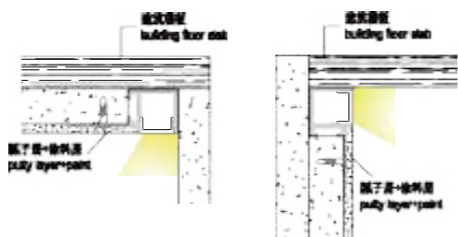
Disposable cover

LW-ALP-068-SR1



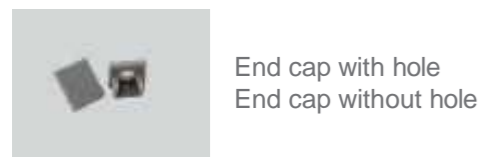
Types of installation: 

Material: Extruded aluminum
Dimension: 35.9x14mm
Length: MAX 5m
Compatible with 12.5mm drywall

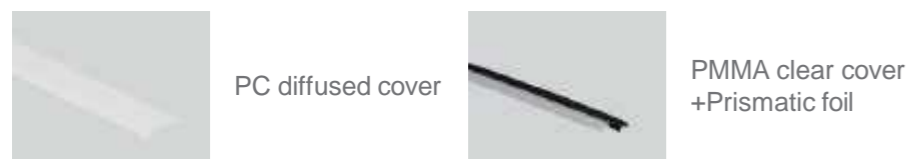



CE R20

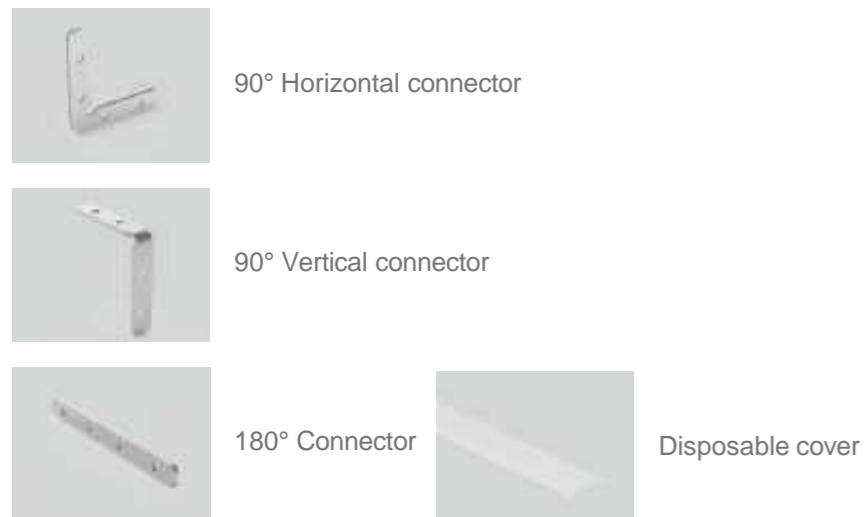
END CAPS



DIFFUSERS



ACCESSORIES



FINISH



LW-ALP-068-R3



Types of installation: 

Material: Extruded aluminum
Dimension: 13.1x13.7mm
Length: MAX 5m



CE R20

FINISH



Anod. aluminum white Black

END CAPS



End cap with hole
End cap without hole

DIFFUSERS



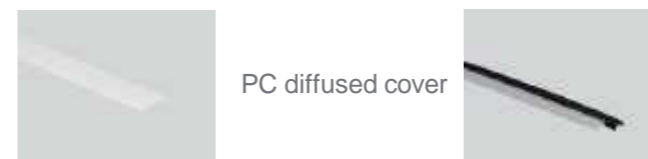
PC diffused cover
PMMA clear cover + Prismatic foil

ACCESSORIES

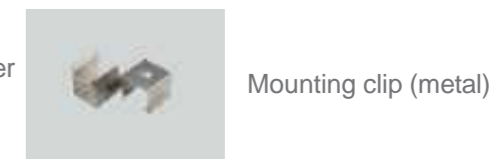


Mounting clip (metal)


DIFFUSERS

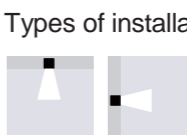


ACCESSORIES

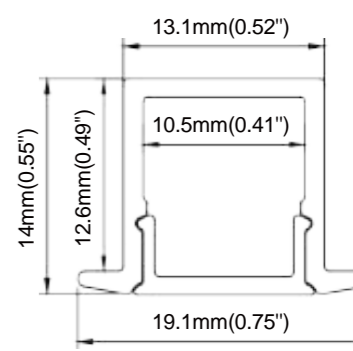


LW-ALP-068-R4




Types of installation: 

Material: Extruded aluminum
Dimension: 19.1x14mm
Length: MAX 5m




CE R20

FINISH



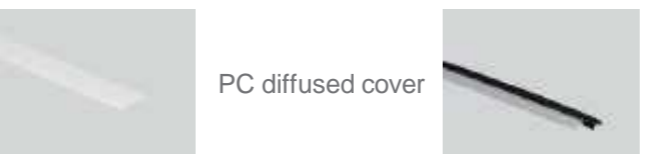
Anod. aluminum white Black

END CAPS



End cap with hole
End cap without hole

DIFFUSERS

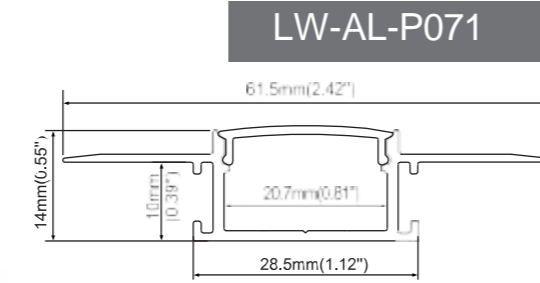
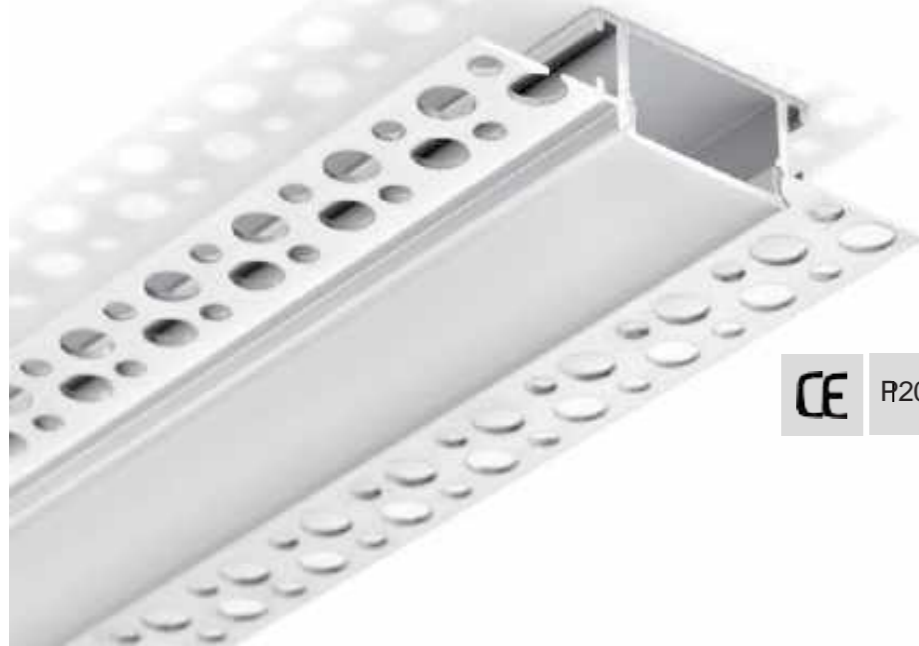


PC diffused cover
PMMA clear cover + Prismatic foil

Types of installation:



Material: Extruded aluminum
 Dimension: 61.5x14mm
 Length: MAX 5m
 Compatible with 12.5mm drywall



FINISH



END CAPS



End cap with hole
 End cap without hole

DIFFUSERS



PMMA opal matte cover
 PMMA semi-clear cover
 PMMA clear cover
 PC diffused cover



Black PC
 frosted cover

ACCESSORIES



180° Connector



90° Horizontal
 connector



120° Horizontal
 connector



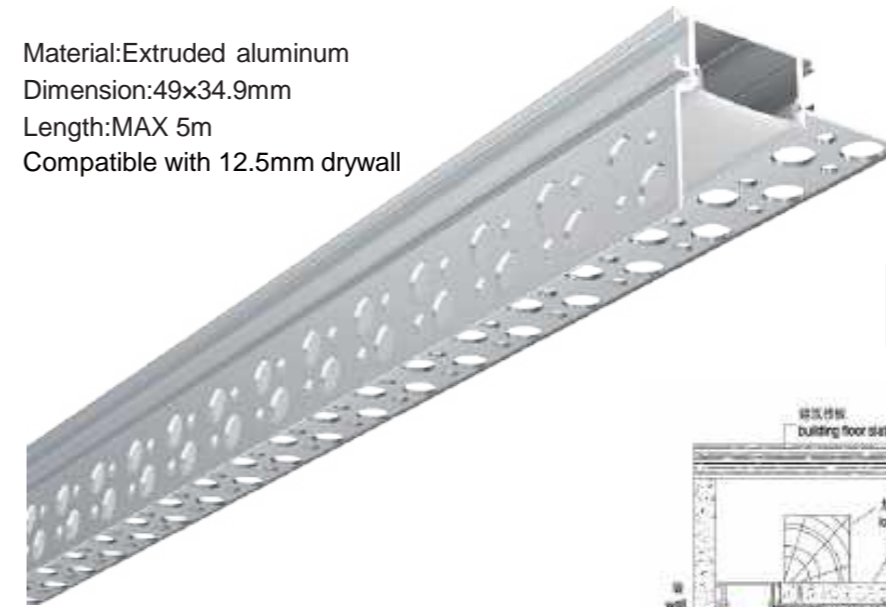
Disposable cover



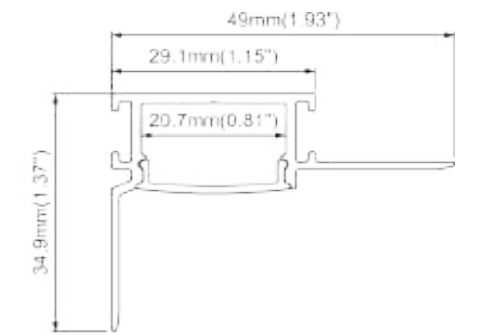
Types of installation:



Material: Extruded aluminum
 Dimension: 49x34.9mm
 Length: MAX 5m
 Compatible with 12.5mm drywall



LW-ALP-071-S



FINISH



Anod. aluminum white Black

END CAPS



End cap with hole
 End cap without hole

DIFFUSERS



PC diffused cover

ACCESSORIES



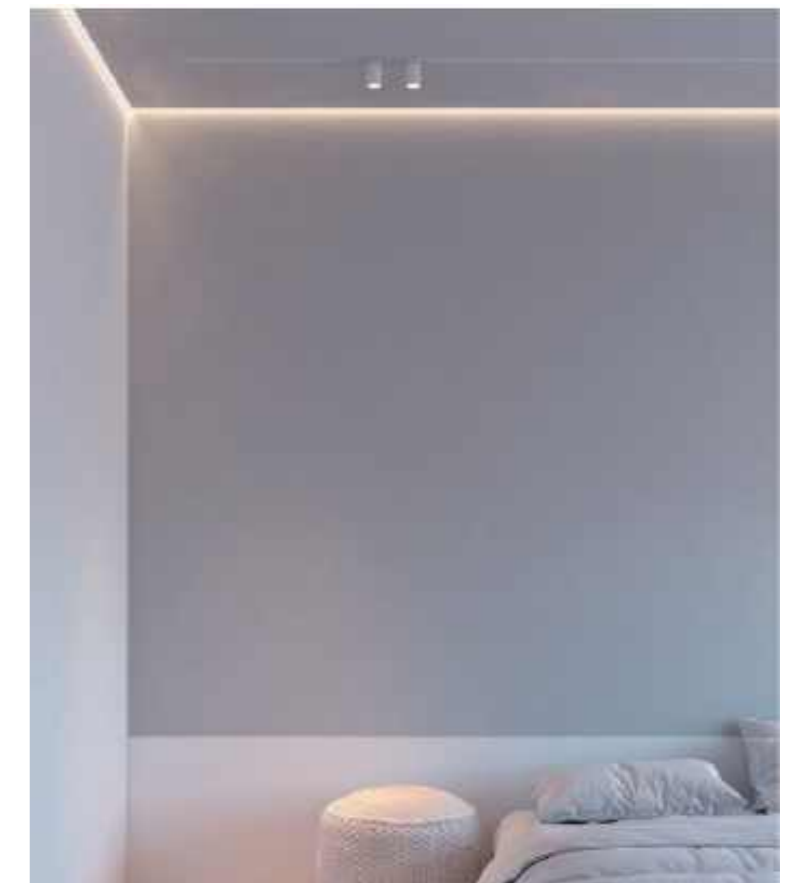
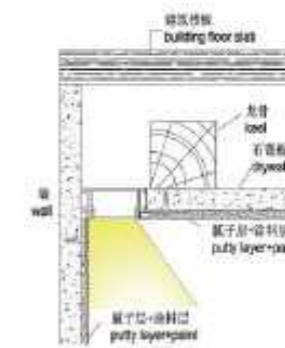
90° Horizontal connector



90° Vertical connector



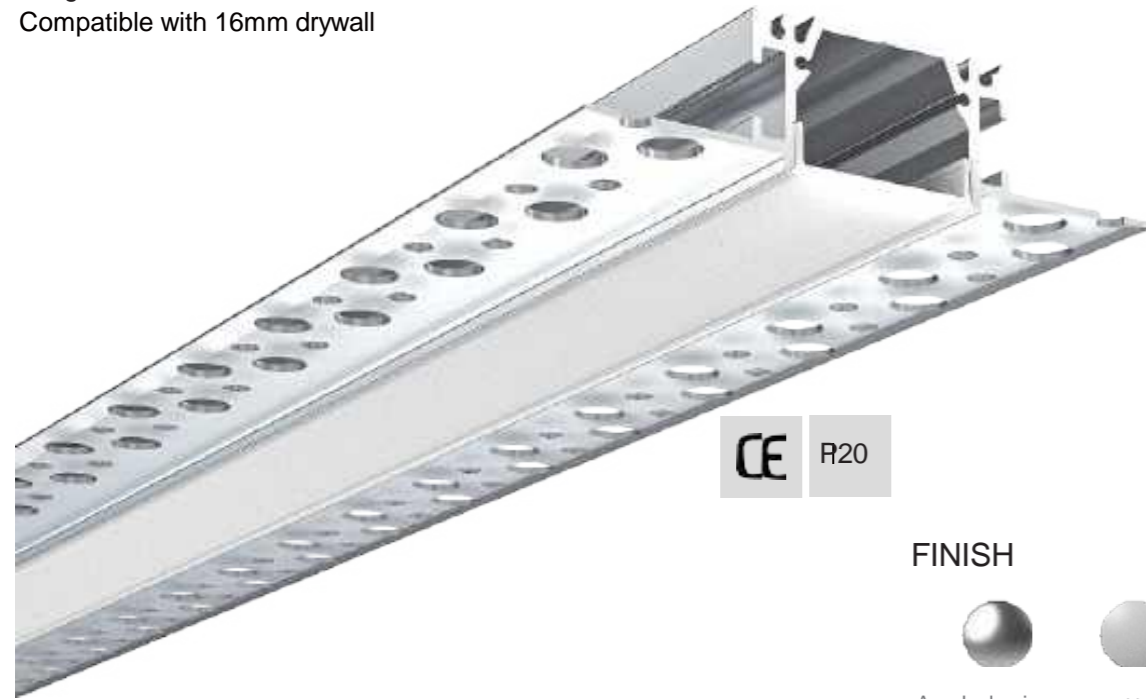
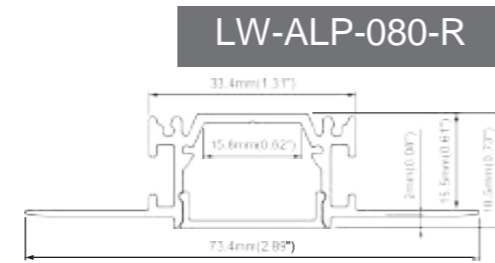
180° Connector



Types of installation:



Material: Extruded aluminum
 Dimension: 73.4x18.5mm
 Length: MAX 5m
 Compatible with 16mm drywall



FINISH



END CAPS



End Caps

DIFFUSERS



PC diffused cover

ACCESSORIES



180° Connector



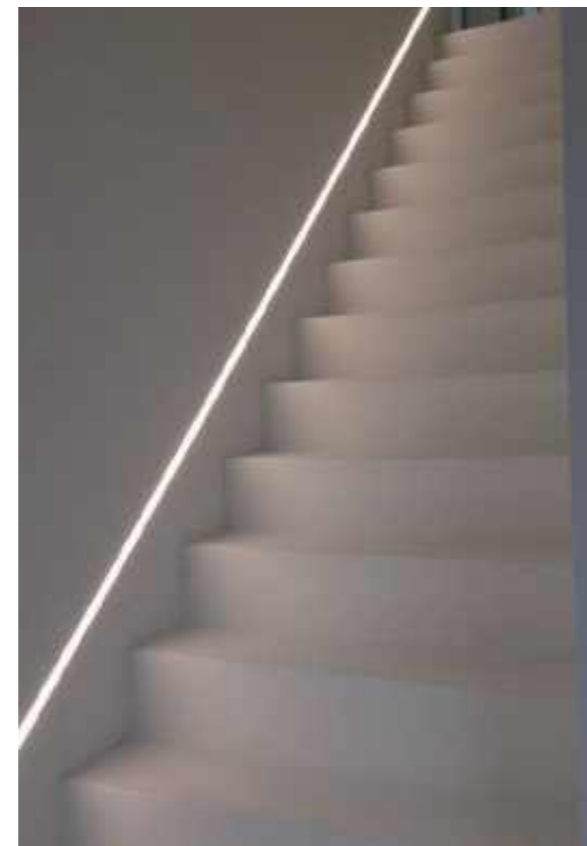
90° Horizontal connector



120° Horizontal connector



Disposable cover

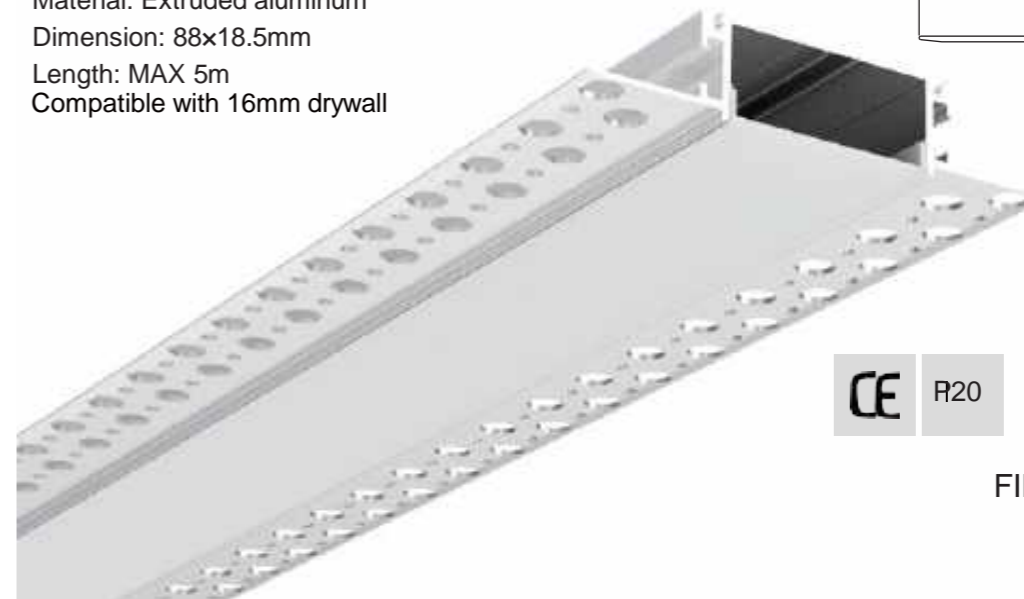
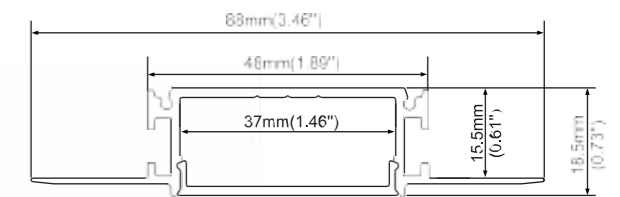


Types of installation:



Material: Extruded aluminum
 Dimension: 88x18.5mm
 Length: MAX 5m
 Compatible with 16mm drywall

LW-ALP-081-R



FINISH



END CAPS



End Caps

DIFFUSERS



PC diffused cover

ACCESSORIES



90° Outside connector



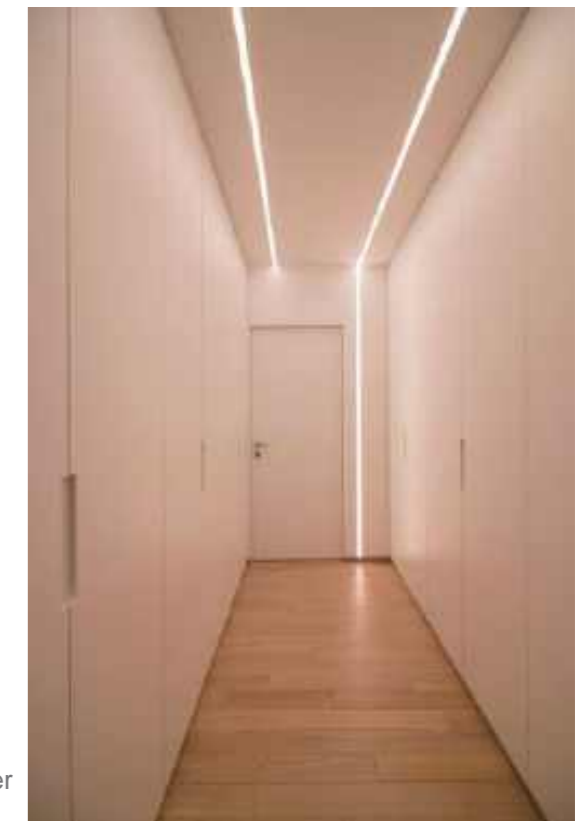
90° Inside connector



L connector



Disposable cover



LW-ALP-082

Types of installation:

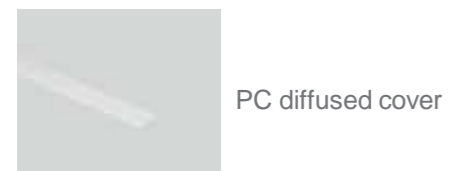
Material: Extruded aluminum
Dimension: 18.5x96mm
Length: MAX 5m
Compatible with 16mm drywall

CE R20

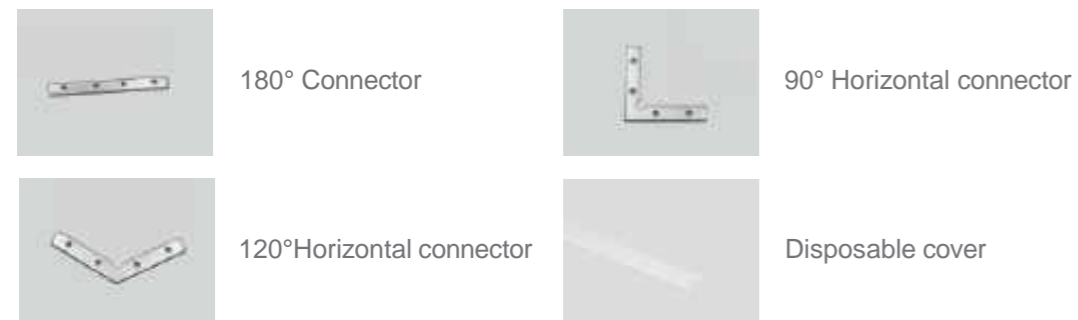
END CAPS



DIFFUSERS



ACCESSORIES



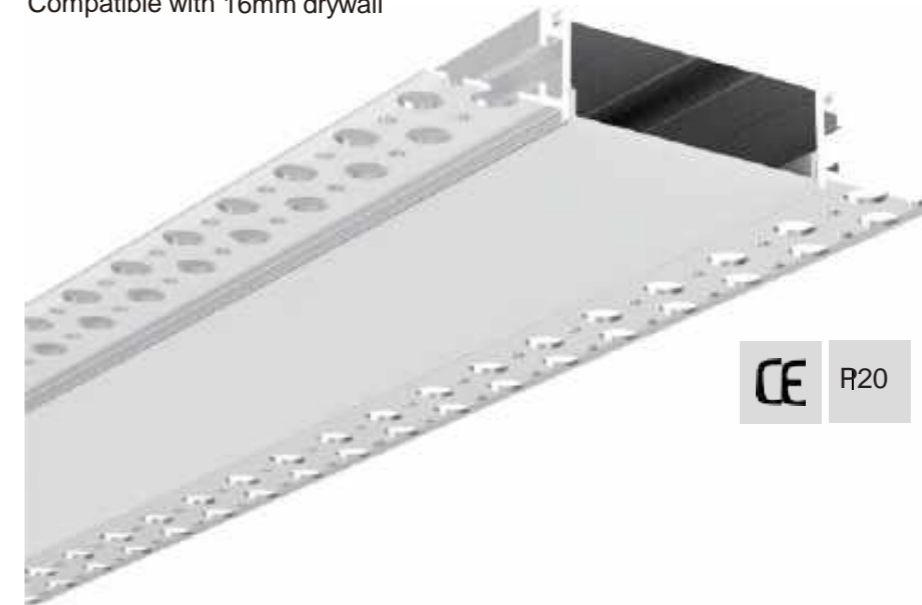
FINISH



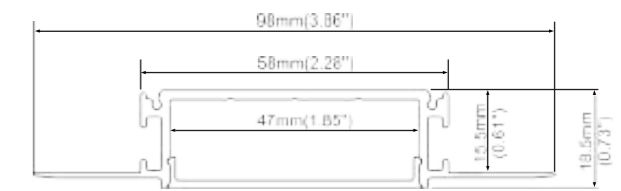
Types of installation:



Material: Extruded aluminum
Dimension: 98x18.5mm
Length: MAX 5m
Compatible with 16mm drywall



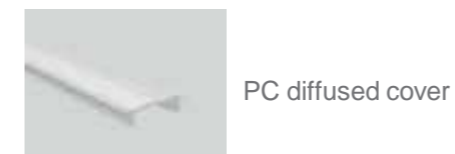
LW-ALP-083-R



END CAPS



DIFFUSERS



ACCESSORIES



FINISH



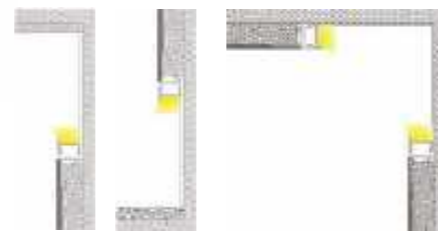


LW-ALP-085

Types of installation:



Material: Extruded aluminum
 Dimension: 18.5x119mm
 Length: MAX 5m
 Compatible with 16mm drywall



END CAPS



End cap with hole
 End cap without hole

DIFFUSERS



PC diffused cover

ACCESSORIES



180° Connector



90° Horizontal connector

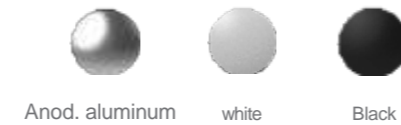


120° Horizontal connector



Disposable cover

FINISH



Anod. aluminum white Black

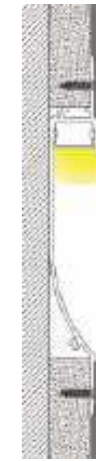


LW-ALP-086

Types of installation:



Material: Extruded aluminum
 Dimension: 18.5x113.8mm
 Length: MAX 5m
 Compatible with 16mm drywall



END CAPS



End Caps

DIFFUSERS



PC diffused cover

ACCESSORIES



180° Connector



90° Horizontal connector



120° Horizontal connector



Disposable cover

FINISH



white



Types of installation:



Material: Extruded aluminum
 Dimension: 33.1x11mm
 Length: MAX 5m
 Compatible with 10mm tile



FINISH



END CAPS



End cap with hole
 End cap without hole

DIFFUSERS



PC diffused cover

ACCESSORIES



Disposable cover



Types of installation:



Material: Extruded aluminum
 Dimension: 56.3x22.4mm
 Length: MAX 5m
 Compatible with 10mm tile



FINISH



END CAPS



End cap with hole
 End cap without hole

DIFFUSERS

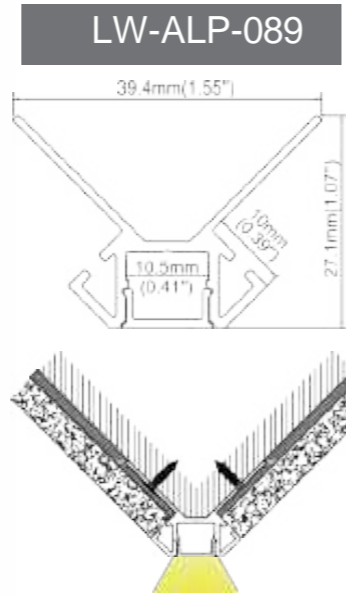


PC diffused cover

ACCESSORIES



Disposable cover



Types of installation:



Material: Extruded aluminum
 Dimension: 39.4x27.1mm
 Length: MAX 5m
 Compatible with 10mm tile



FINISH



END CAPS



End cap with hole
 End cap without hole

DIFFUSERS



PC diffused cover

ACCESSORIES



Disposable cover

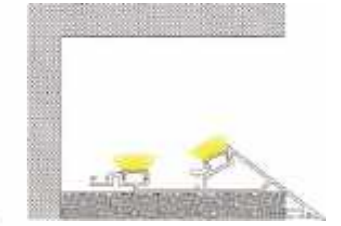
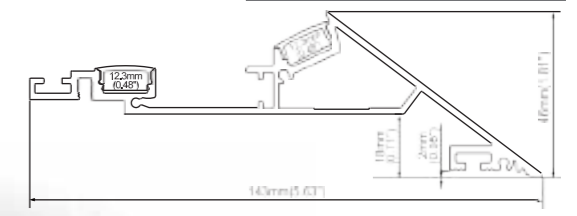
Types of installation:



Material: Extruded aluminum
 Dimension: 143x46mm
 Length: MAX 5m
 Compatible with 16mm drywall



LW-ALP-090



FINISH



END CAPS



End Caps

DIFFUSERS



PMMA opal matte cover
 PMMA semi clear cover
 PMMA clear cover

ACCESSORIES



180° Connector



90° Horizontal connector



120° Horizontal connector



Types of installation:



Material: Extruded aluminum
 Dimension: 77.8x33.7mm
 Length: MAX 5m
 Compatible with 16mm drywall



FINISH



END CAPS



End Caps

DIFFUSERS



PMMA opal matte cover
 PMMA semi clear cover
 PMMA clear cover

ACCESSORIES



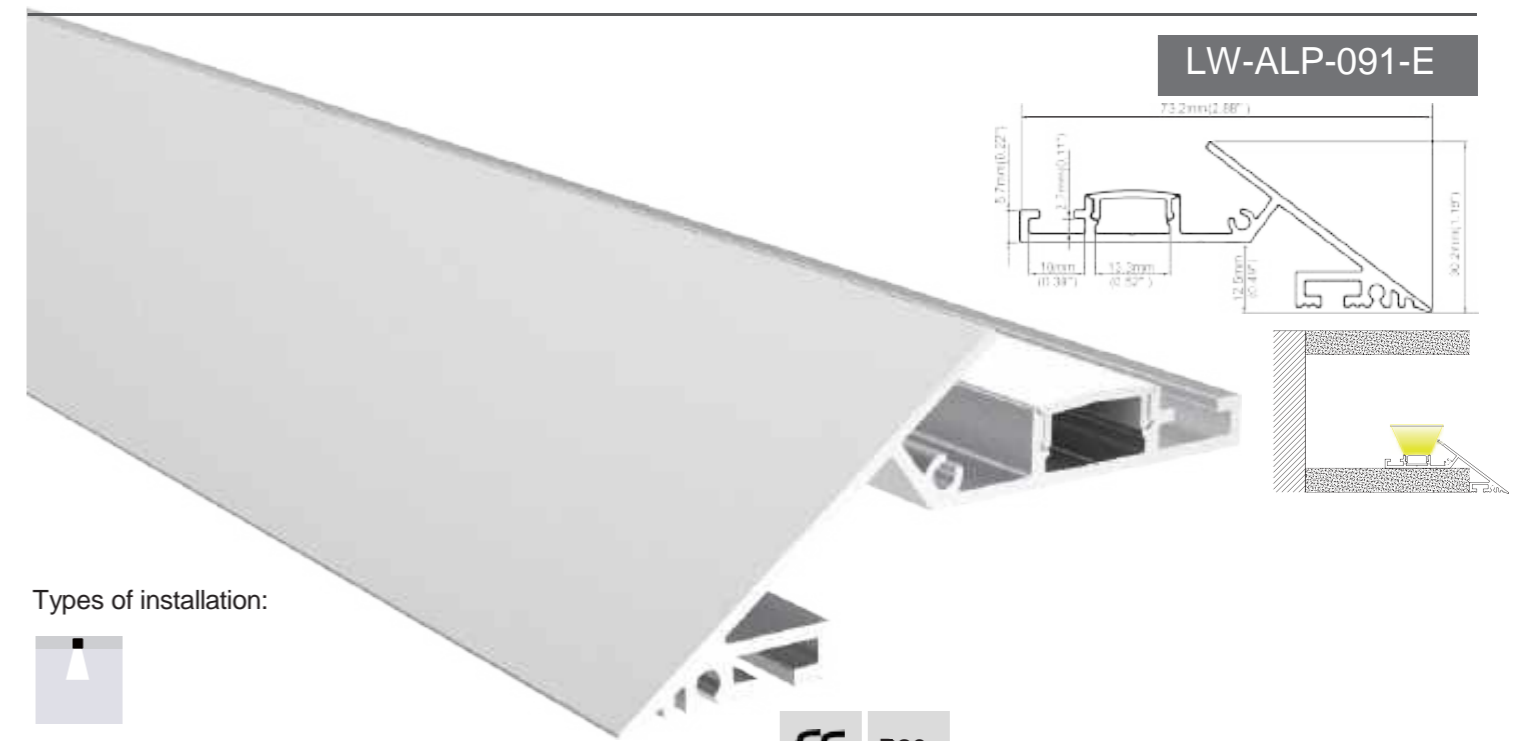
180° Connector



90° Horizontal connector



120° Horizontal connector



Types of installation:



Material: Extruded aluminum
 Dimension: 73.2x30.2mm
 Length: MAX 5m
 Compatible with 12.5mm drywall



FINISH



END CAPS



End Caps

DIFFUSERS



PMMA opal matte cover
 PMMA semi clear cover
 PMMA clear cover

ACCESSORIES



180° Connector



120° Horizontal connector



90° Horizontal connector

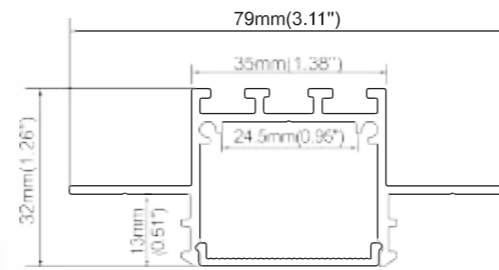


Types of installation:



Material: Extruded aluminum
 Dimension: 79x32mm
 Length: MAX 5m
 Compatible with 12.5mm drywall

LW-ALP-092



FINISH



END CAPS



End Caps

DIFFUSERS



PC diffused cover

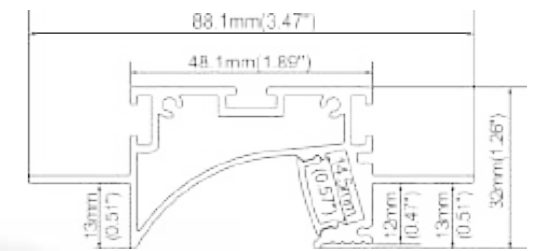


Types of installation:



Material: Extruded aluminum
 Dimension: 88.1x32mm
 Length: MAX 5m
 Compatible with 12.5mm drywall

LW-ALP-093



FINISH



END CAPS



End Caps

DIFFUSERS



PMMA opal matte cover
 PMMA semi clear cover
 PMMA clear cover

ACCESSORIES



180° Connector



90° Horizontal connector

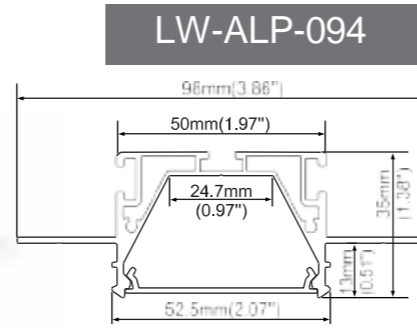


120° Horizontal connector

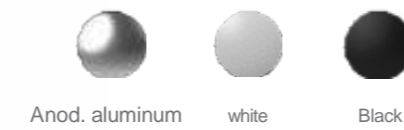
Types of installation:



Material: Extruded aluminum
 Dimension: 98x35mm
 Length: MAX 5m
 Compatible with 12.5mm drywall



FINISH



END CAPS



End Caps

DIFFUSERS



PC diffused cover

ACCESSORIES



180° Connector



90° Horizontal connector

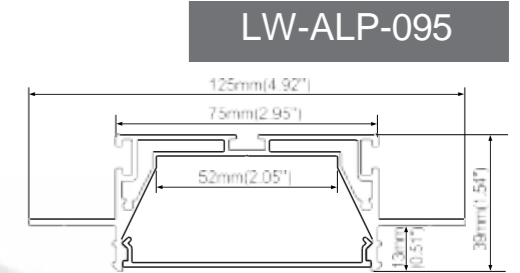


120° Horizontal connector

Types of installation:



Material: Extruded aluminum
 Dimension: 125x39mm
 Length: MAX 5m
 Compatible with 12.5mm drywall



FINISH



END CAPS

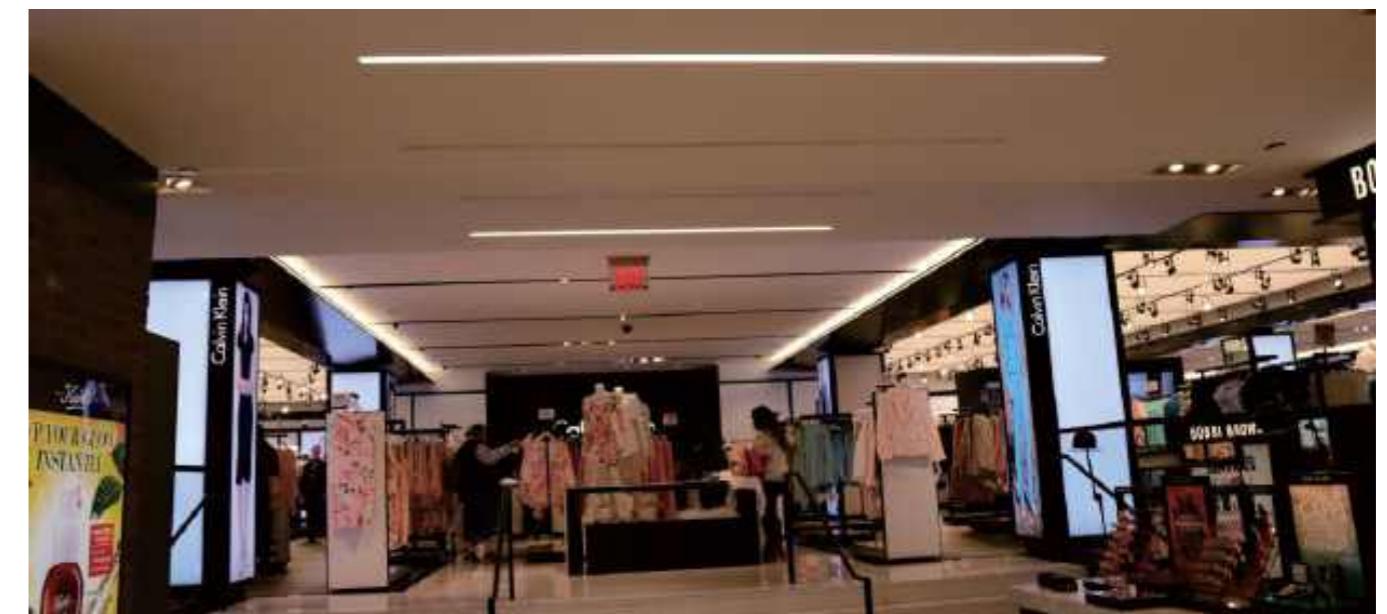


End Caps

DIFFUSERS



PC diffused cover





Types of installation:



Material: Extruded aluminum
Dimension: 42.5x16mm
Length: MAX 5m
Compatible with 16mm drywall



FINISH



END CAPS



End cap with hole
End cap without hole

DIFFUSERS



PC diffused cover

ACCESSORIES

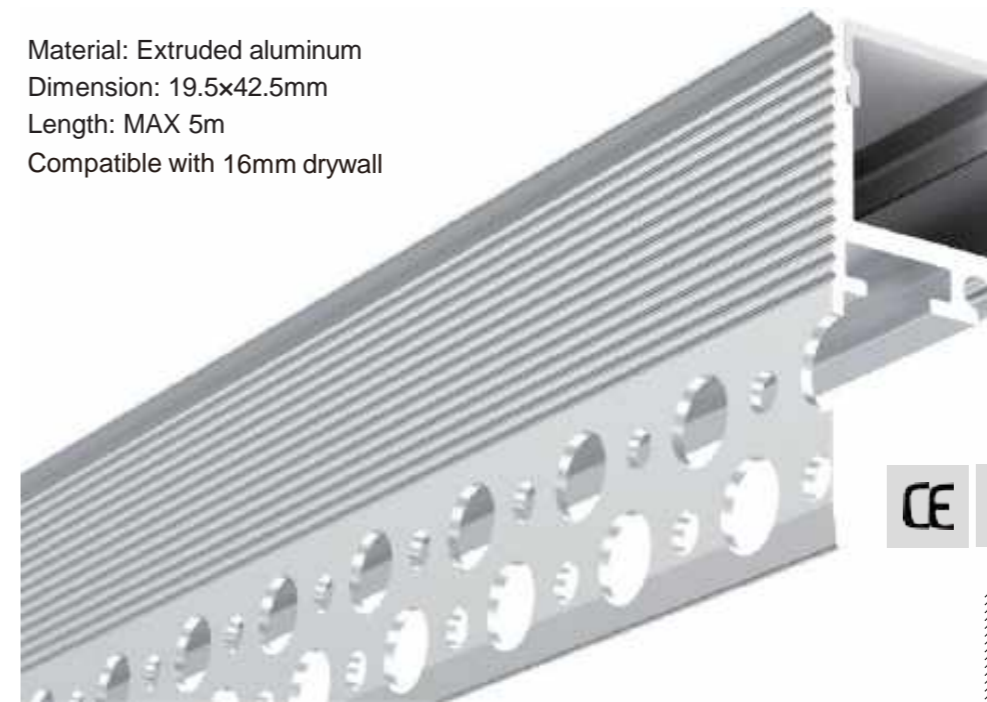


Disposable cover

Types of installation:



Material: Extruded aluminum
Dimension: 19.5x42.5mm
Length: MAX 5m
Compatible with 16mm drywall



FINISH



END CAPS



End cap with hole
End cap without hole

DIFFUSERS



PC diffused cover

ACCESSORIES



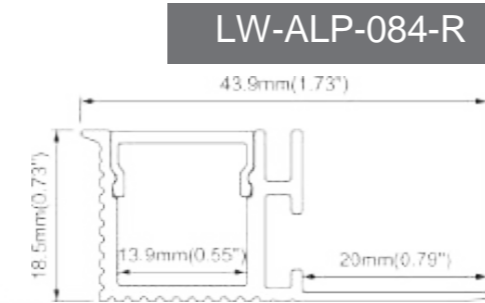
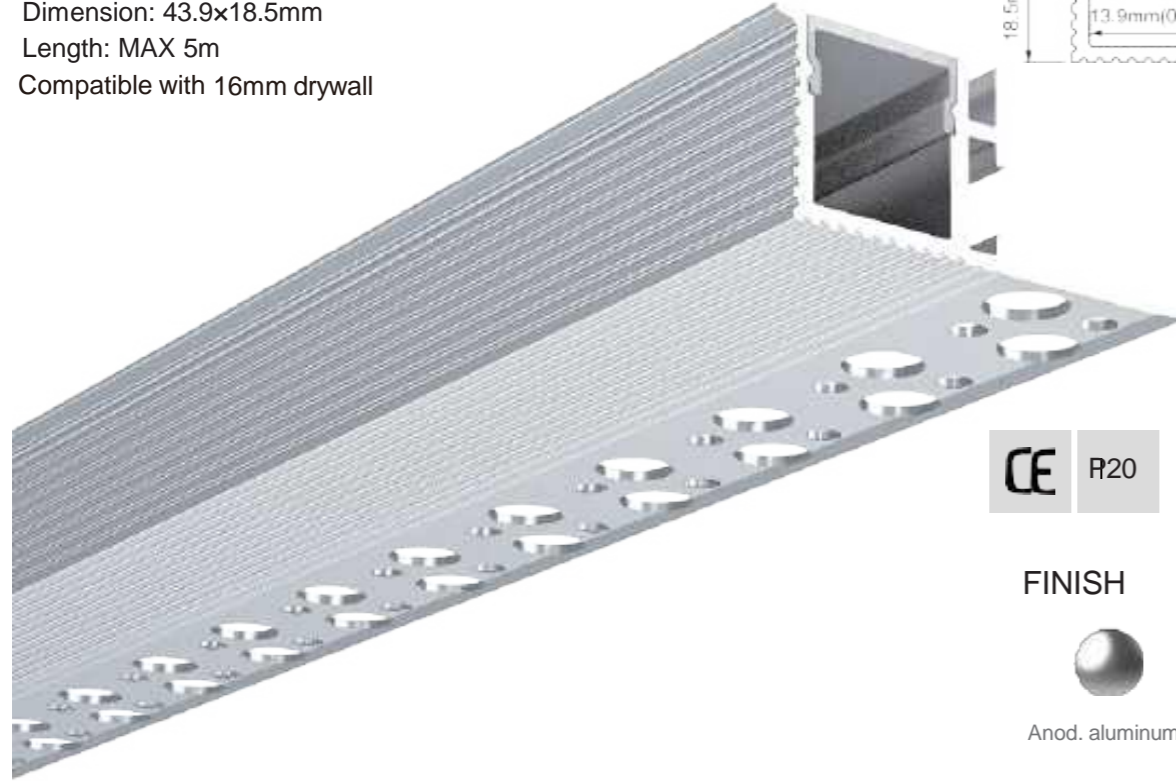
Disposable cover



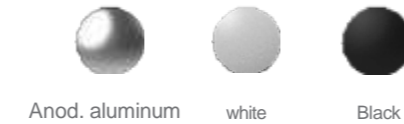
Types of installation:



Material: Extruded aluminum
 Dimension: 43.9x18.5mm
 Length: MAX 5m
 Compatible with 16mm drywall



FINISH



END CAPS



End cap with hole
 End cap without hole

DIFFUSERS



PC diffused cover

ACCESSORIES

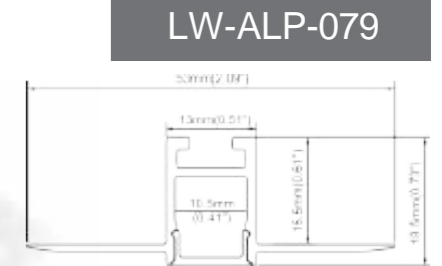
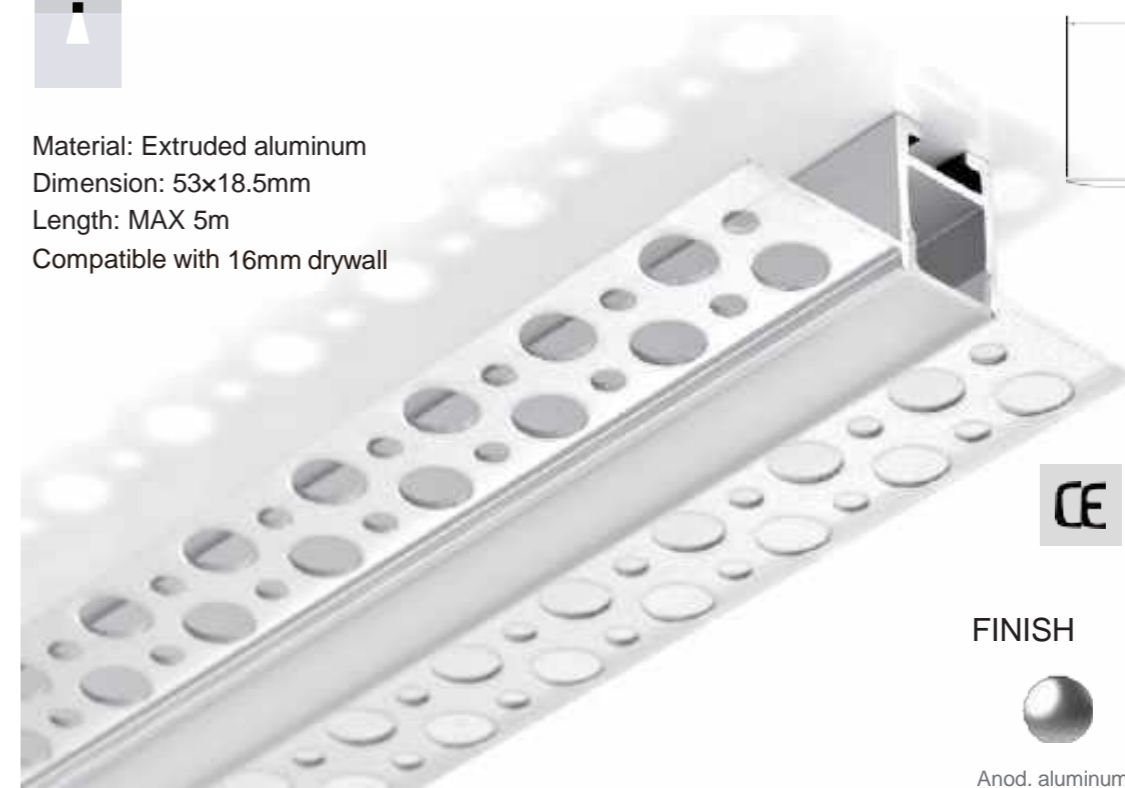


Disposable cover

Types of installation:



Material: Extruded aluminum
 Dimension: 53x18.5mm
 Length: MAX 5m
 Compatible with 16mm drywall



FINISH



END CAPS



End cap with hole
 End cap without hole

DIFFUSERS



PC diffused cover

ACCESSORIES



90° Horizontal connector



180° Connector



Disposable cover

LW-ALP-110-S

Types of installation:

Material: Extruded aluminum
Dimension: 65.4x28mm
Length: MAX 5m
Compatible with 12.5mm drywall

FINISH

Anod. aluminum white Black

END CAPS

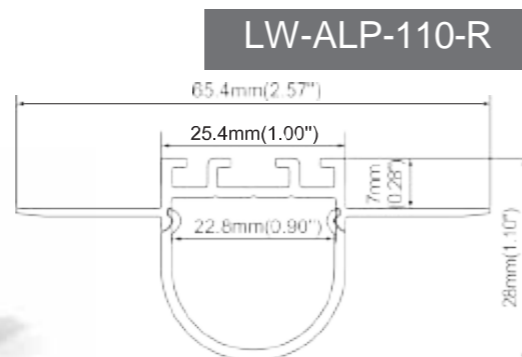
End cap with hole
End cap without hole

DIFFUSERS

PC diffused cover

Types of installation:

Material: Extruded aluminum
Dimension: 65.4x28mm
Length: MAX 5m
Compatible with 12.5mm drywall



FINISH

Anod. aluminum white Black

END CAPS

End cap with hole
End cap without hole

DIFFUSERS

PC diffused cover

LW-ALP1-11-S

Types of installation:

Material: Extruded aluminum
Dimension: 25.4x28mm
Length: MAX 5m

FINISH

Anod. aluminum white Black

END CAPS

End cap with hole
End cap without hole

DIFFUSERS

PC diffused cover

ACCESSORIES

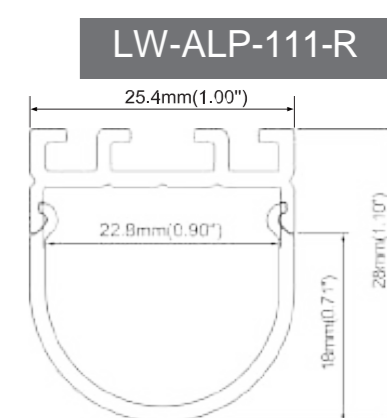
Mounting clip (metal)

DIFFUSERS

PC diffused cover

Types of installation:

Material: Extruded aluminum
Dimension: 25.4x28mm
Length: MAX 5m



END CAPS

End cap with hole
End cap without hole

DIFFUSERS

PC diffused cover

ACCESSORIES

Mounting clip (metal)

DIFFUSERS

PC diffused cover



LW-ALP-078

Types of installation:



Material: Extruded aluminum
 Dimension: 101x67.8mm
 Length: MAX 5m
 Compatible with 12.5mm drywall



FINISH



white



LW-ALP-078-R

Types of installation:



Material: Extruded aluminum
 Dimension: 76.4x51.5mm
 Length: MAX 5m
 Compatible with 12.5mm drywall



FINISH



white

END CAPS



End Caps

DIFFUSERS



PC diffused cover

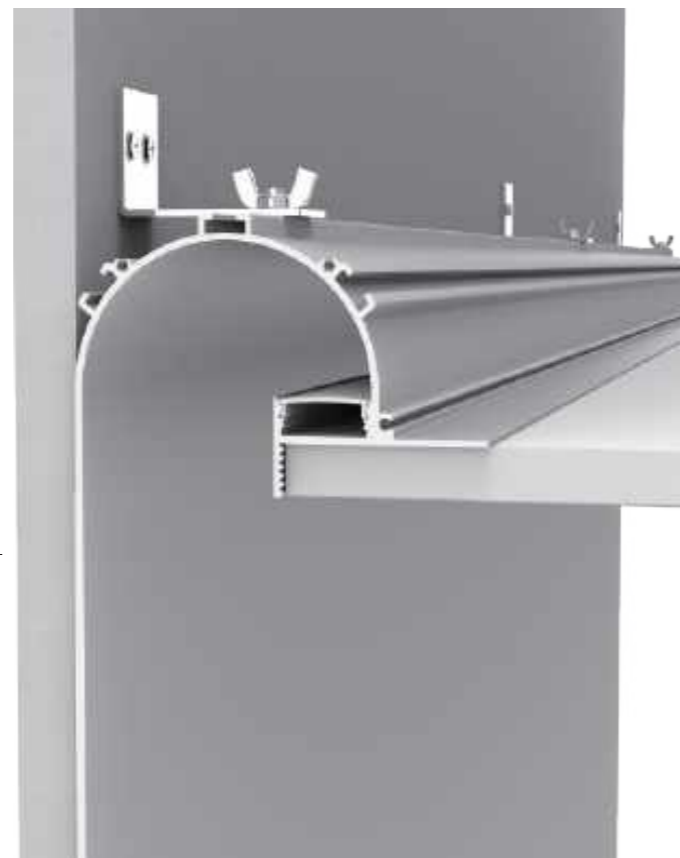
ACCESSORIES



Clip for ceiling



Clip for wall



END CAPS



End Caps

DIFFUSERS



PC diffused cover

ACCESSORIES



Clip for wall

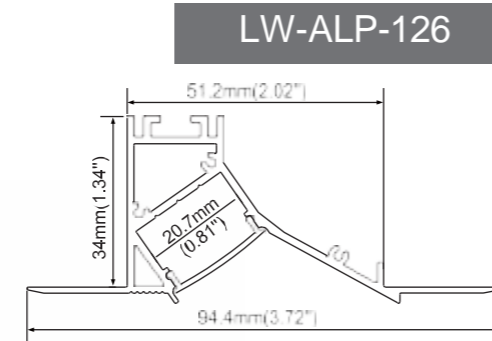
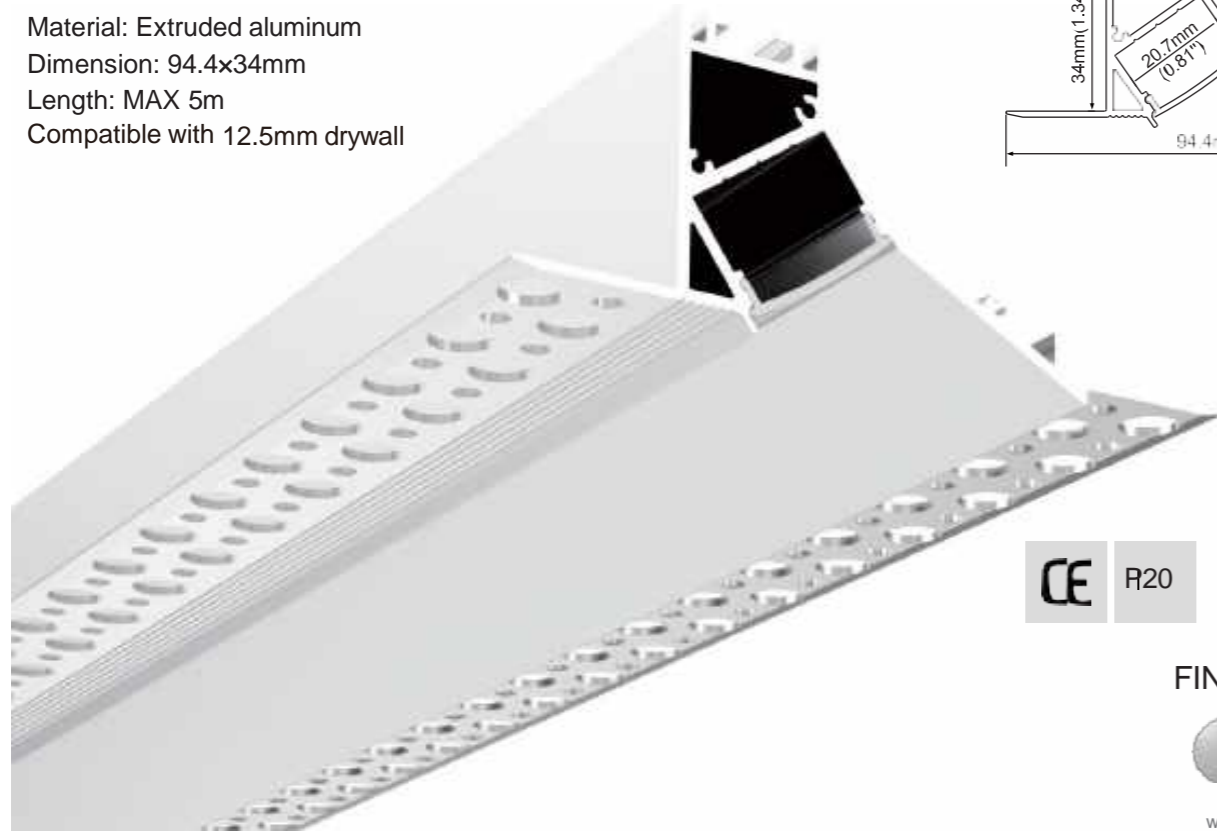


Clip for ceiling

Types of installation:



Material: Extruded aluminum
 Dimension: 94.4x34mm
 Length: MAX 5m
 Compatible with 12.5mm drywall



FINISH



white

END CAPS



End cap with hole
 End cap without hole

DIFFUSERS



PC diffused cover
 PC semi clear cover

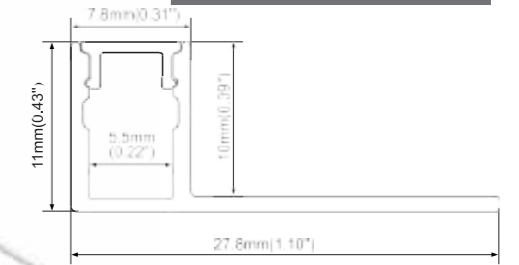
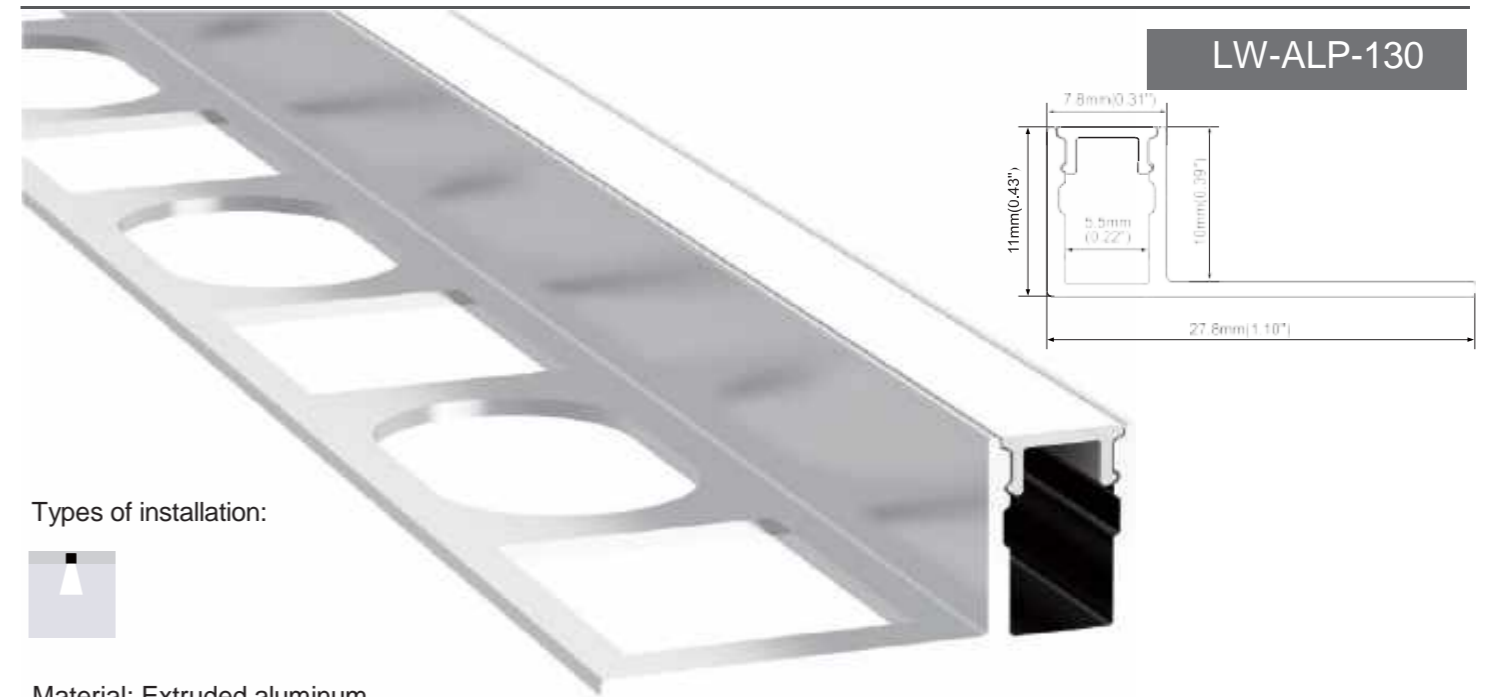
ACCESSORIES



Disposable cover



LW-ALP-130



Types of installation:



Material: Extruded aluminum
 Dimension: 27.8x11mm
 Length: MAX 5m
 Compatible with 10mm tile



FINISH



Anod. aluminum



white



Black

END CAPS



End cap with hole
 End cap without hole

DIFFUSERS

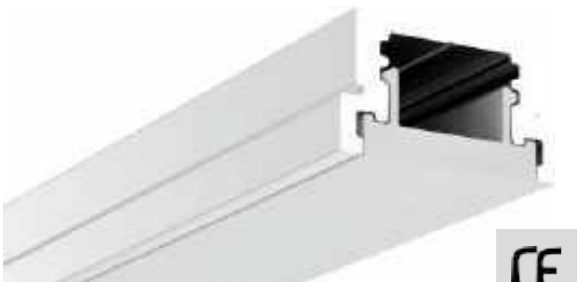


PC frosted cover


ACCESSORIES



Disposable cover

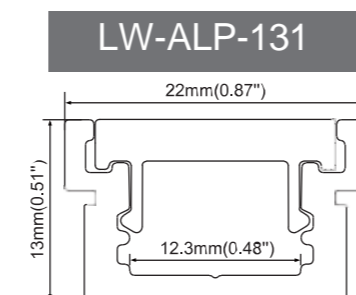


LW-ALP-131

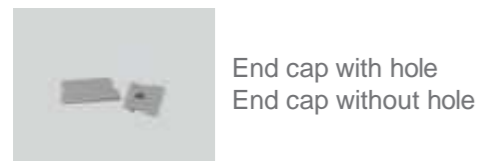
Types of installation: 

Material: Extruded aluminum
Dimension: 22x13mm
Length: MAX 5m

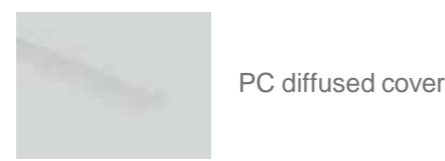
CE R20



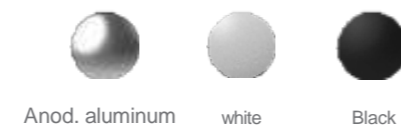

END CAPS




DIFFUSERS



FINISH

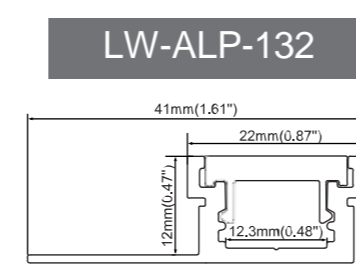



LW-ALP-132

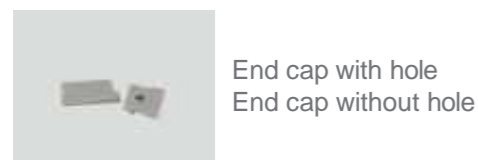
Types of installation: 

Material: Extruded aluminum
Dimension: 41x13mm
Length: MAX 5m
Compatible with 10mm tile

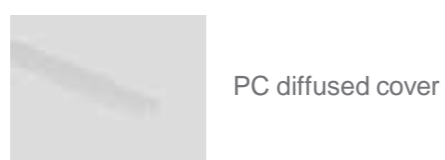
CE R20




END CAPS




DIFFUSERS



FINISH

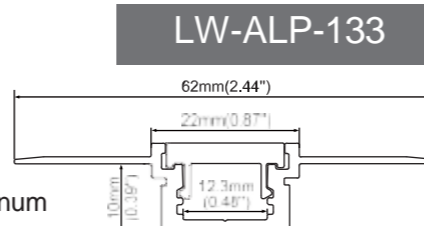



LW-ALP-133

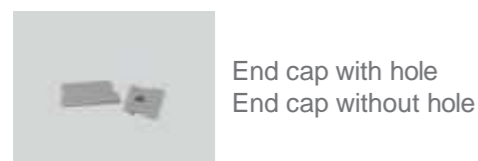
Types of installation: 

Material: Extruded aluminum
Dimension: 62x13mm
Length: MAX 5m
Compatible with 12.5mm drywall

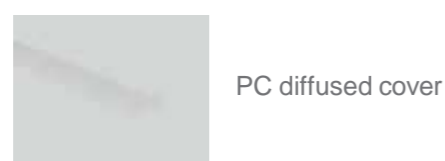
CE R20



END CAPS



DIFFUSERS



FINISH




LW-ALP-033

Types of installation: 

Material: Extruded aluminum
Dimension: 27.06x11mm
Length: MAX 5m

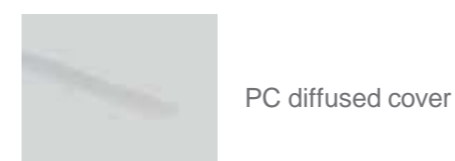
CE R20



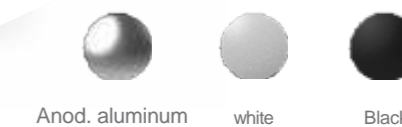

END CAPS




DIFFUSERS



FINISH

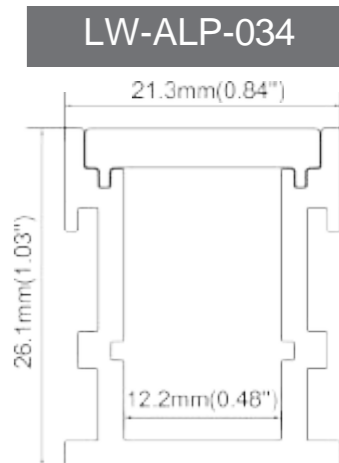



LW-ALP-034

Types of installation: 

Material: Extruded aluminum
Dimension: 21.3x26.1mm
Length: MAX 5m

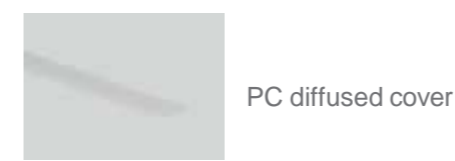
CE R20



END CAPS



DIFFUSERS



FINISH



LW-ALP-141



Types of installation:

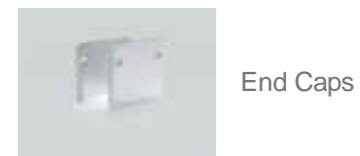


Material: Extruded aluminum
Dimension: 24x21.2mm
Length: MAX 5m

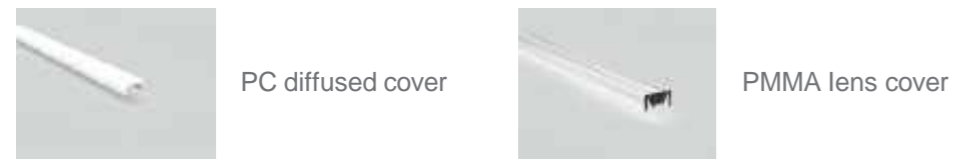
CE R20



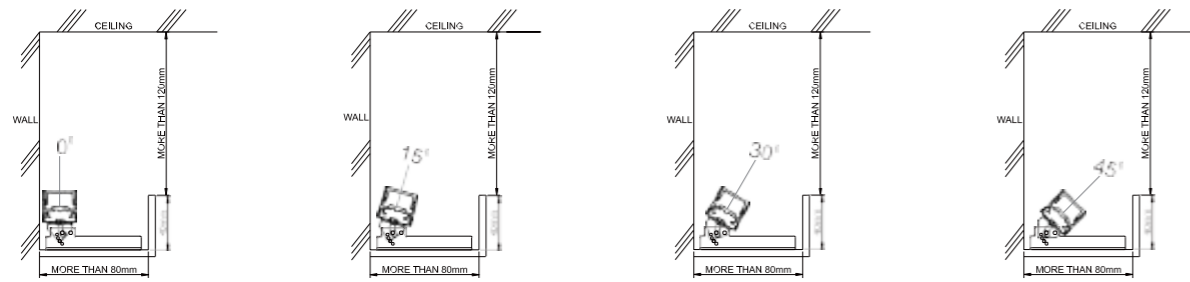
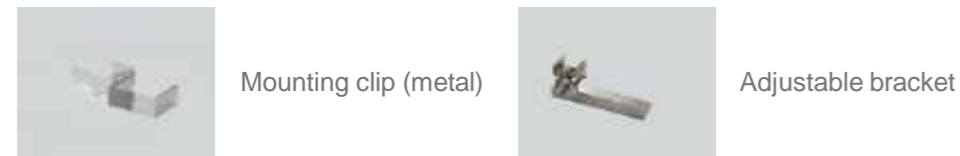
END CAPS



DIFFUSERS

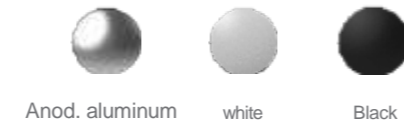


ACCESSORIES



0° Adjustable 15° Adjustable 30° Adjustable 45° Adjustable

FINISH



LW-ALP-142



Types of installation:



Material: Extruded aluminum
Dimension: ϕ 28mm
Length: MAX 5m

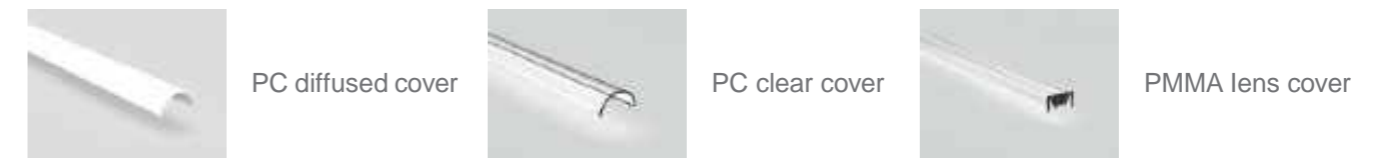
CE R20



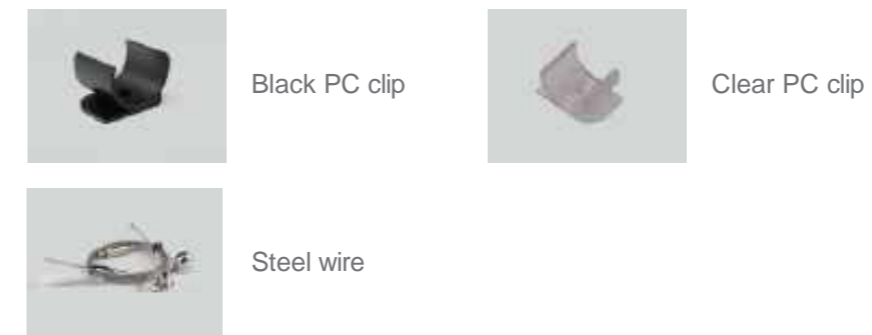

END CAPS



DIFFUSERS



ACCESSORIES



FINISH



LW-ALP-142-A

Types of installation:

Material: Extruded aluminum
Dimension: 41.2x5.8mm
Length: MAX 5m

CE R20

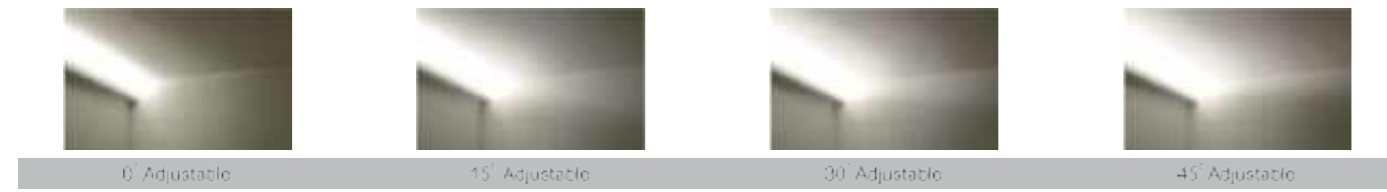
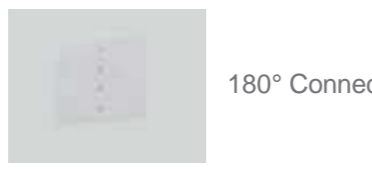
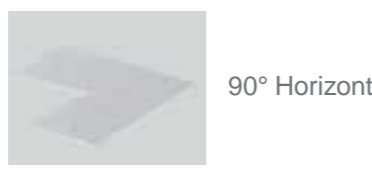
END CAPS



DIFFUSERS



ACCESSORIES



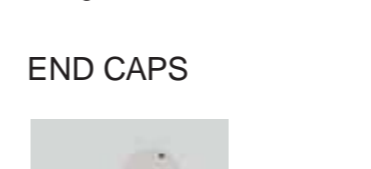
LW-ALP-142-B

Types of installation:

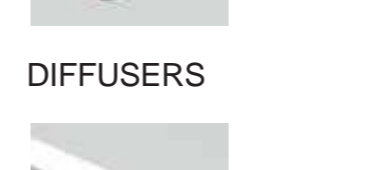
Material: Extruded aluminum
Dimension: 106x49mm
Length: MAX 5m

CE R20

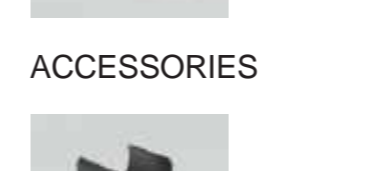
END CAPS



DIFFUSERS



ACCESSORIES



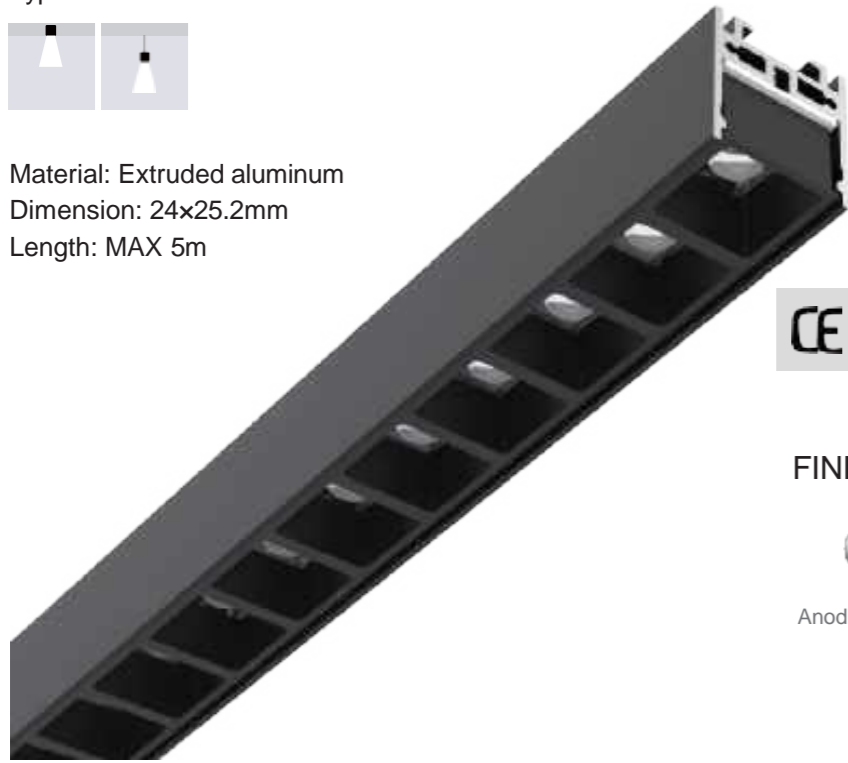
FINISH

Anod. aluminum white Black

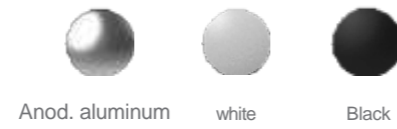
Types of installation:



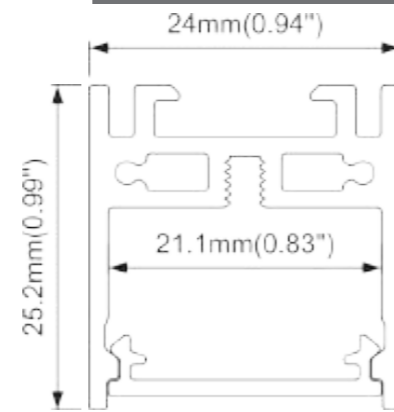
Material: Extruded aluminum
Dimension: 24x25.2mm
Length: MAX 5m



FINISH



LW-MAG-2425



END CAPS



End Caps

DIFFUSERS



PC frosted cover



PMMA clear cover
+Prismatic foil



Lens 15°/Symmetrical
Wall washer

ACCESSORIES



Black Reflector 30° or 55°



Surface clip



White Reflector 30° or 55°



T-bar clip



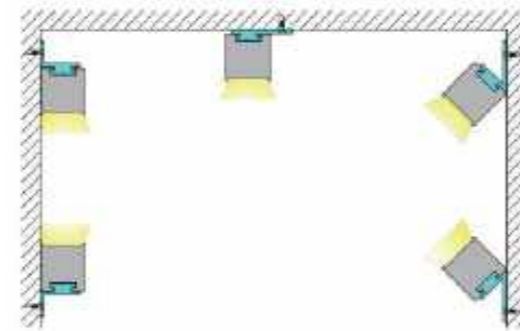
Chrome Reflector 30° or 55°



Steel wire



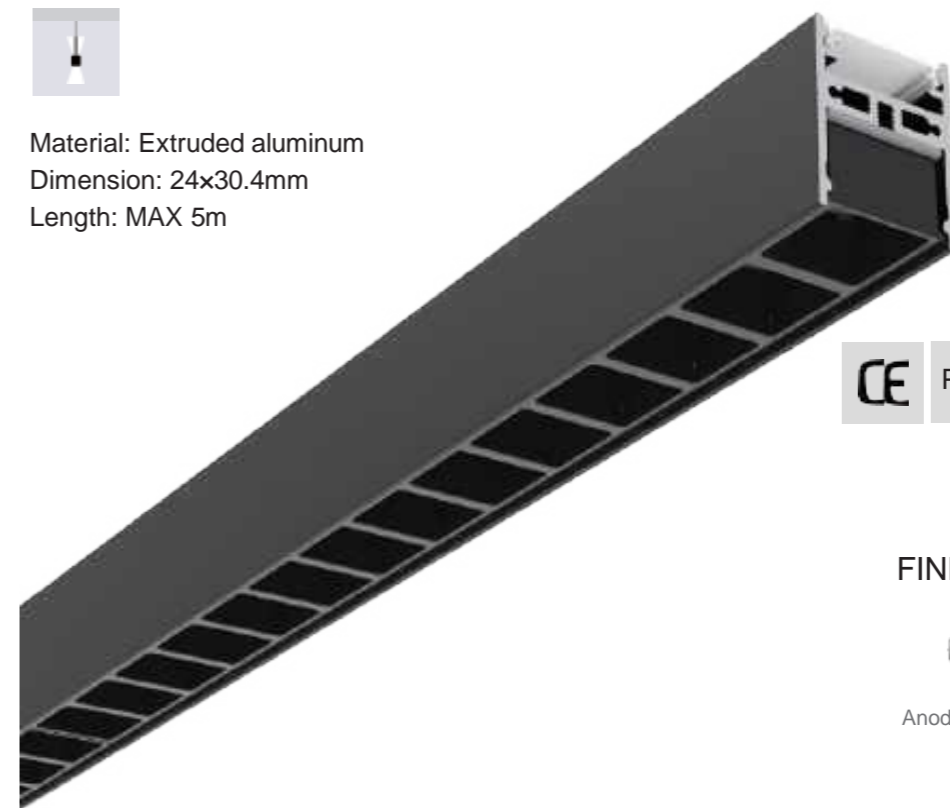
Hanging clip



Types of installation:



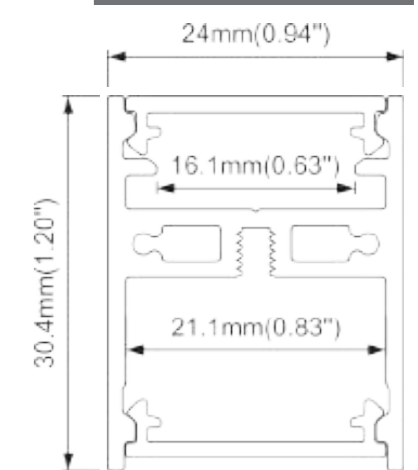
Material: Extruded aluminum
Dimension: 24x30.4mm
Length: MAX 5m



FINISH



LW-MAG-2430



END CAPS



End Caps

DIFFUSERS



PC frosted cover



PMMA clear cover
+Prismatic foil



Lens 15°/Symmetrical
Wall washer

ACCESSORIES



Black Reflector 30° or 55°



Chrome Reflector 30° or 55°



White Reflector 30° or 55°



Steel wire

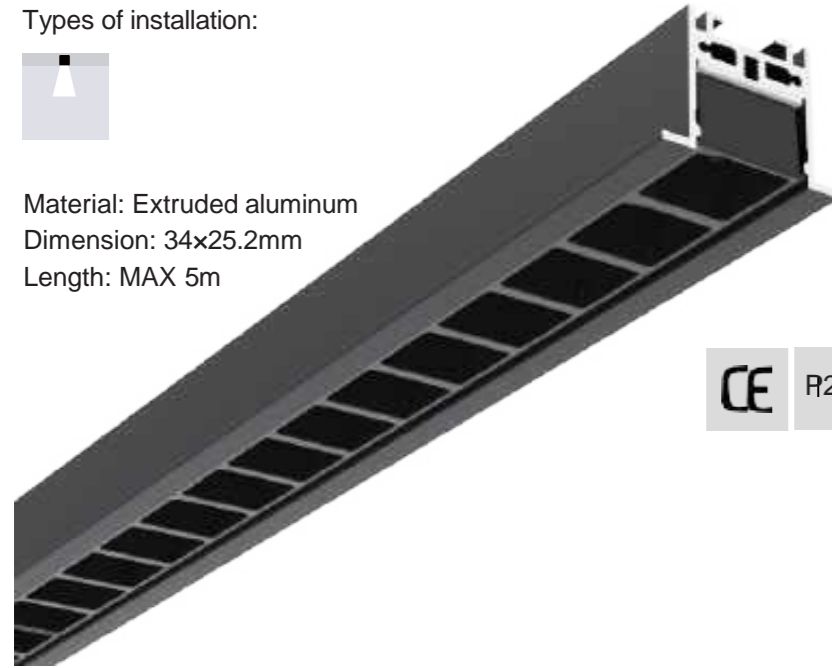


Hanging bracket

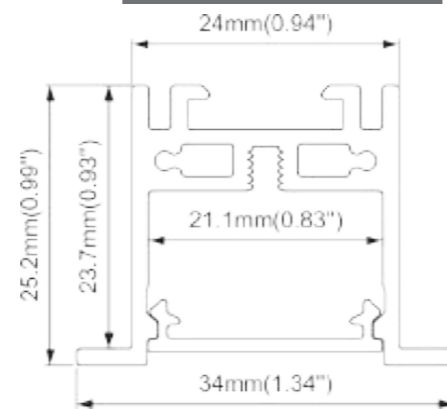
Types of installation:



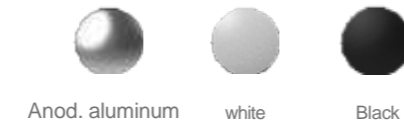
Material: Extruded aluminum
Dimension: 34x25.2mm
Length: MAX 5m



LW-MAG-3425



FINISH



END CAPS



End Caps

DIFFUSERS



PC frosted cover



PMMA clear cover
+Prismatic foil



Lens 15°/Symmetrical
Wall washer

ACCESSORIES



Black Reflector 30° or 55°



White Reflector 30° or 55°

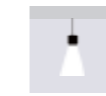


Chrome Reflector 30° or 55°

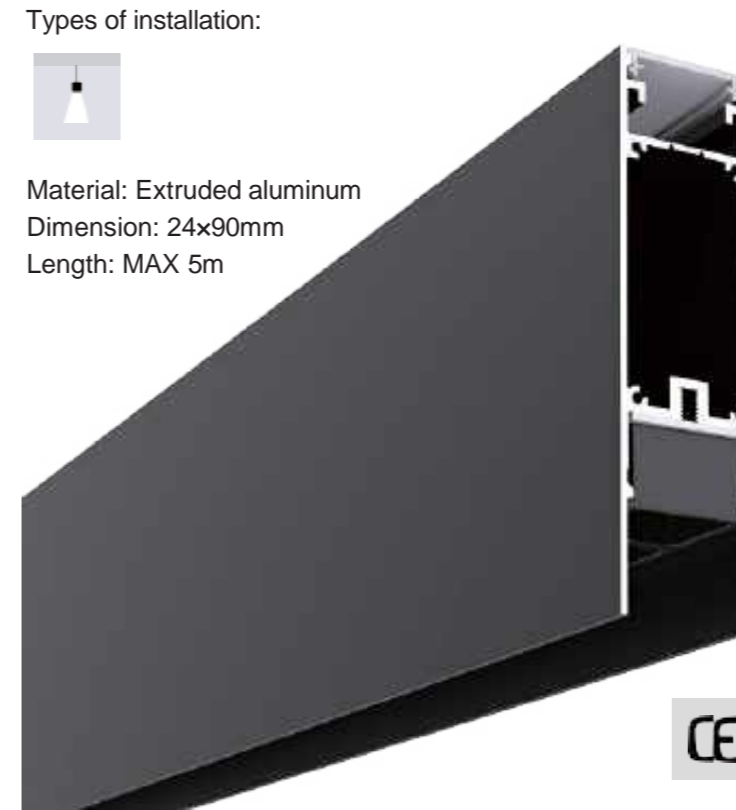


Spring clip

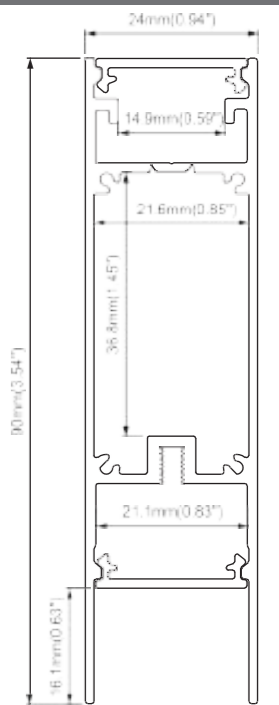
Types of installation:



Material: Extruded aluminum
Dimension: 24x90mm
Length: MAX 5m



LW-MAG-2490



FINISH



END CAPS



End Caps

DIFFUSERS



PC frosted cover



PMMA clear cover
+Prismatic foil



Lens 15°/Symmetrical
Wall washer

ACCESSORIES



Hanging bracket



Steel wire



Chrome Reflector 30° or 55°

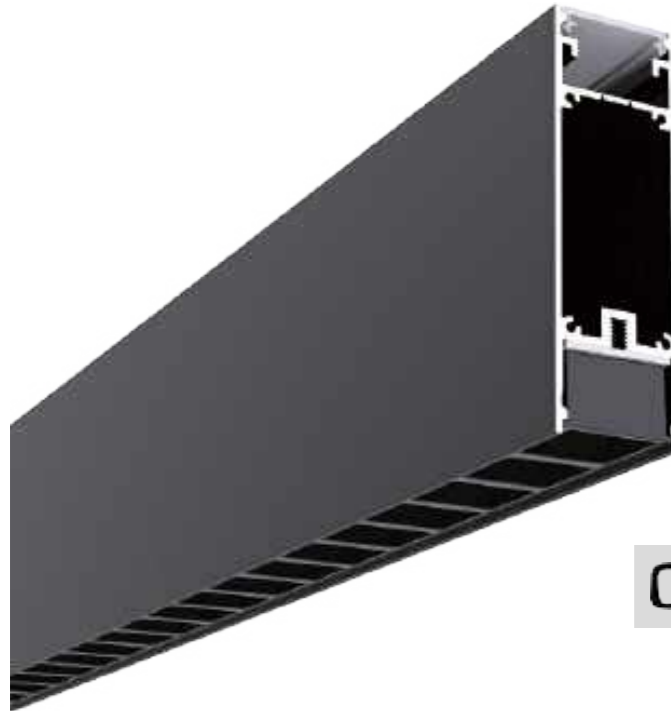



Black Reflector 30° or 55°



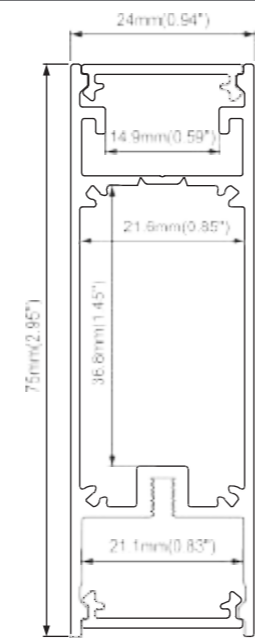
White Reflector 30° or 55°

LW-MAG-2475




Types of installation: 

Material: Extruded aluminum
Dimension: 24x75mm
Length: MAX 5m



FINISH



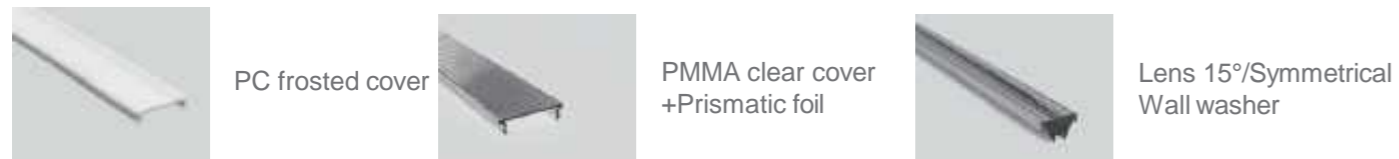
Anod. aluminum white Black

CE R20

END CAPS



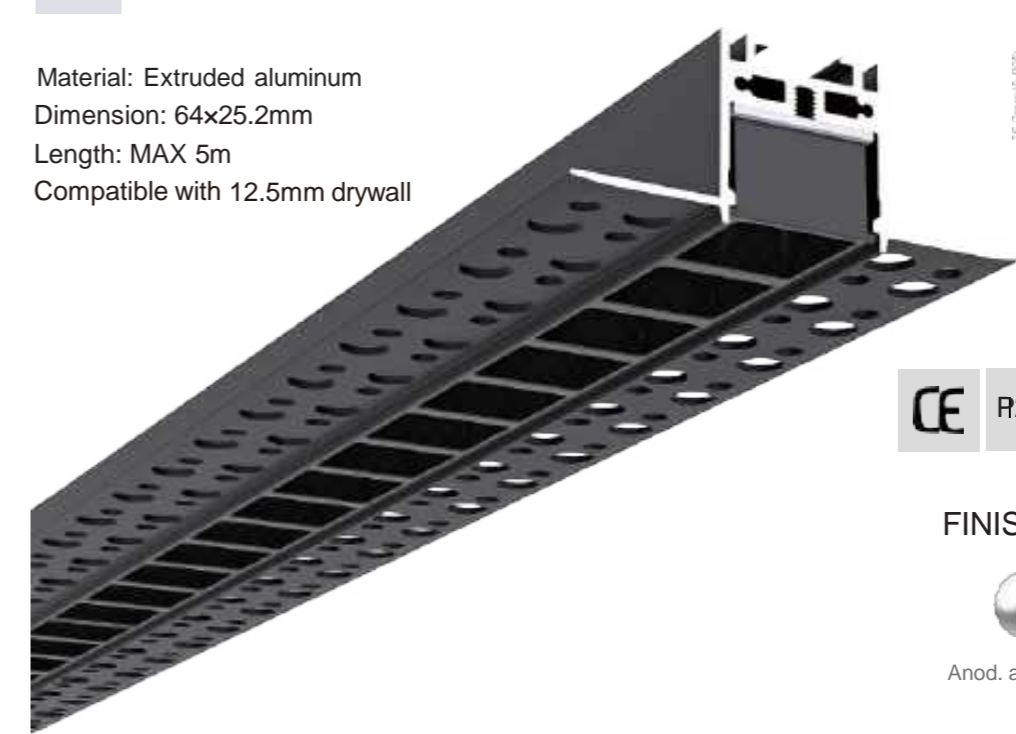
DIFFUSERS




ACCESSORIES

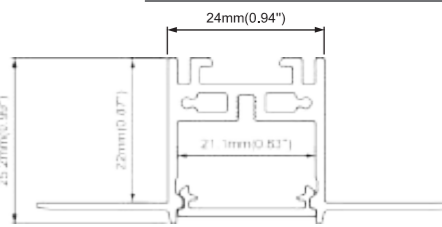


LW-MAG-6425




Types of installation: 

Material: Extruded aluminum
Dimension: 64x25.2mm
Length: MAX 5m
Compatible with 12.5mm drywall



FINISH



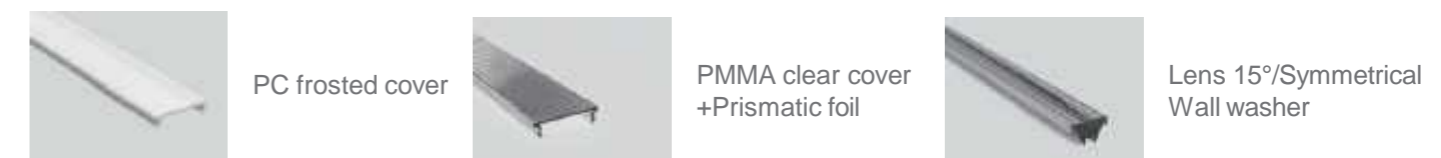
Anod. aluminum white Black

CE R20

END CAPS



DIFFUSERS



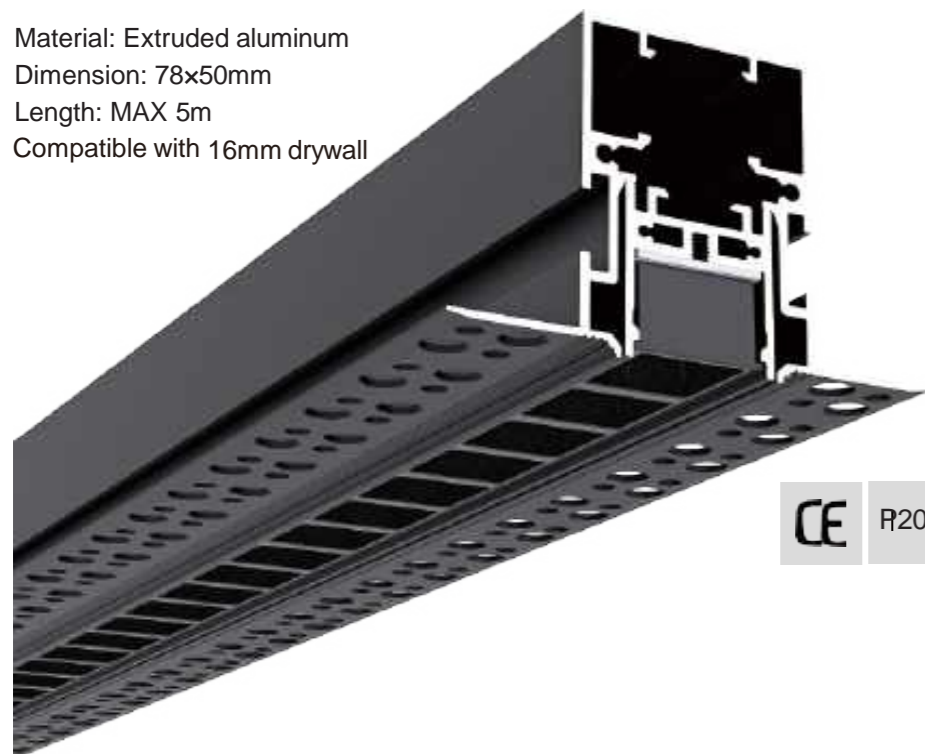
ACCESSORIES



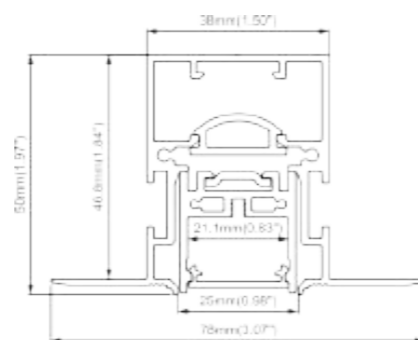
Types of installation:



Material: Extruded aluminum
 Dimension: 78x50mm
 Length: MAX 5m
 Compatible with 16mm drywall



LW-MAG-7850



FINISH



END CAPS



End Caps

DIFFUSERS



PC frosted cover



PMMA clear cover
+Prismatic foil



Lens 15°/Symmetrical
Wall washer

ACCESSORIES



Outside clip



Chrome Reflector 30° or 55°



Black Reflector 30° or 55°



White Reflector 30° or 55°



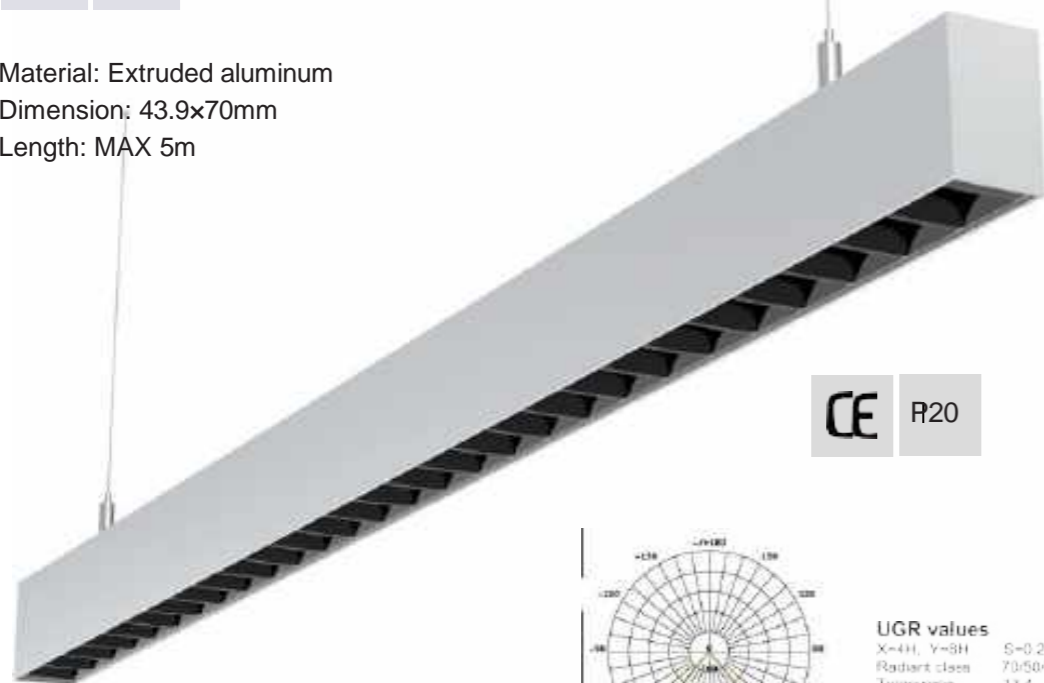
PVC cover



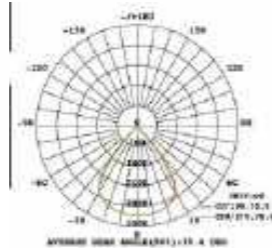
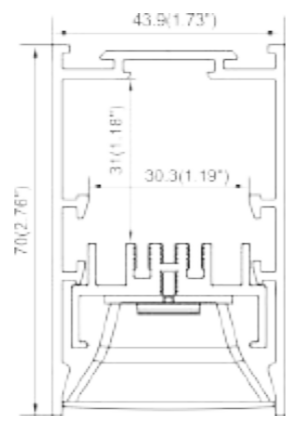
Types of installation:



Material: Extruded aluminum
Dimension: 43.9x70mm
Length: MAX 5m

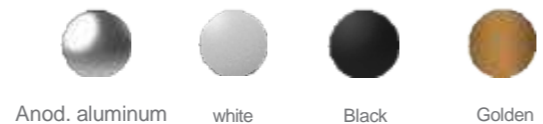


LW-ALP-4070



UGR values
X=4H, Y=8H S=0.2H
Radiant class 70/50/20
Transverse 13.4
Longitudinal 13.9

FINISH



END CAPS



End Caps

ACCESSORIES



Bind cover



Internal Clip



Wall washer



Louver optic(7x1 or 28x1)
LEDiL



Mounting clip (metal)



Safety wire



Steel wire



LED module

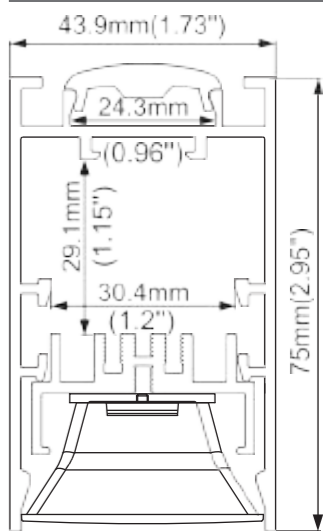
Types of installation:



Material: Extruded aluminum
Dimension: 43.9x75mm
Length: MAX 5m



LW-ALP-4070-UP



END CAPS



End Caps

DIFFUSERS



PC frosted cover

ACCESSORIES



Hanging clip



Internal Clip



Wall washer



Louver optic(7x1 or 28x1)
LEDiL



Safety wire



Steel wire

FINISH



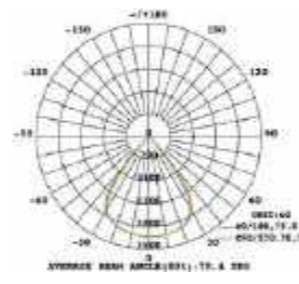
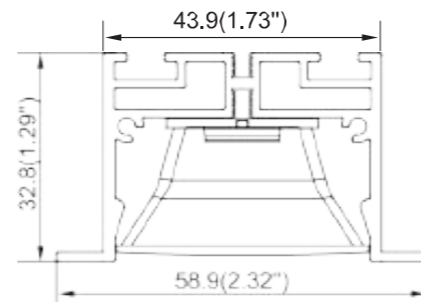
Types of installation:



Material: Extruded aluminum
Dimension: 58.9x32.8mm
Length: MAX 5m



LW-ALP-4035-T



UGR values
X=4H, Y=8H S=0.2H
Radiant class 7

FINISH



END CAPS



End Caps

ACCESSORIES



Blind cover



Wall washer



LED module



Stainless clip



Louver optic(7x1 or 28x1)

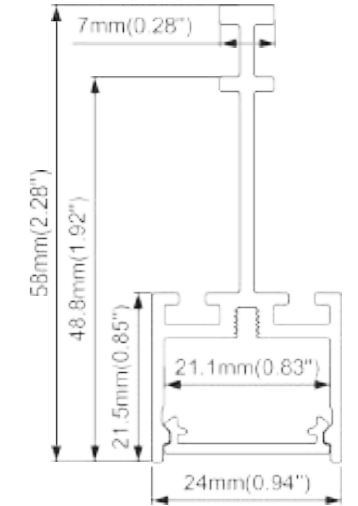
Types of installation:



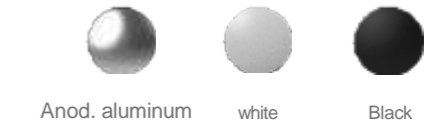
Material: Extruded aluminum
Dimension: 24x58mm
Length: MAX 5m



LW-TG-2458



FINISH



END CAPS



End Caps

DIFFUSERS



PC frosted cover



clear cover
Prismatic foil



Lens 15°/Symmetrical
Wall washer

ACCESSORIES



Black Reflector 30° or 55°



White Reflector 30° or 55°



Connector



Chrome Reflector 30° or 55°



Types of installation:

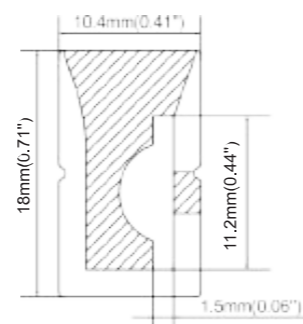


Material: Silicon Co-extrusion
Dimension: 10.4x18mm
Length: MAX 100m

- 10mm PCB
- 14W at maximum



LW-S-1018-S



FINISH



white

END CAPS



End Caps

ACCESSORIES



Bendable profile for mounting



Aluminum mounting profile



Mounting clip (aluminum)



Types of installation:

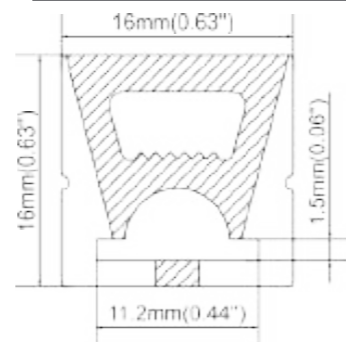


Material: Silicon Co-extrusion
Dimension: 16x16mm
Length: MAX 100m

- 10mm PCB
- 14W at maximum



LW-S-1616-T



FINISH



white

END CAPS



End Caps

ACCESSORIES



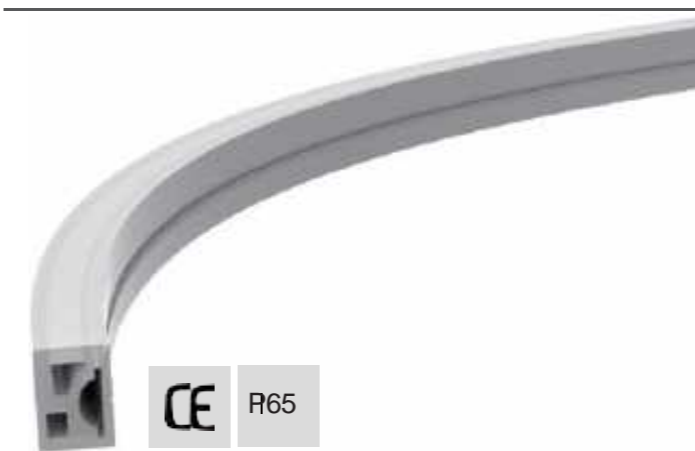
Bendable profile for mounting



Aluminum mounting profile



Mounting clip (aluminum)



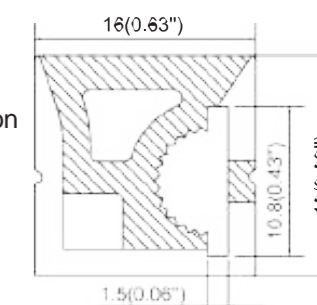
Types of installation:



Material: Silicon Co-extrusion
Dimension: 16x16mm
Length: MAX 100m

- 10mm PCB
- 14W at maximum

LW-S-1616-S



FINISH



white

END CAPS



End Caps

ACCESSORIES



Bendable profile for mounting



Aluminum mounting profile



Mounting clip (aluminum)



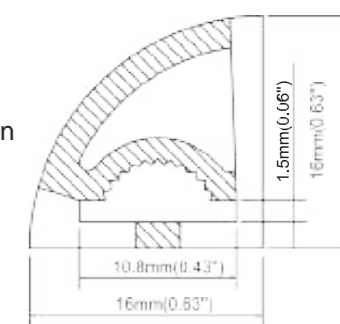
Types of installation:



Material: Silicon Co-extrusion
Dimension: 16x16mm
Length: MAX 100m

- 10mm PCB
- 14W at maximum

LW-S-1616-C



FINISH



white

END CAPS



End Caps


ACCESSORIES



Mounting clip (metal)

LW-S-0410-S


Types of installation:



Material: Silicon Co-extrusion
Dimension: 4x10mm
Length: MAX 100m


- 6mm PCB
- 14W at maximum

FINISH




white

END CAPS

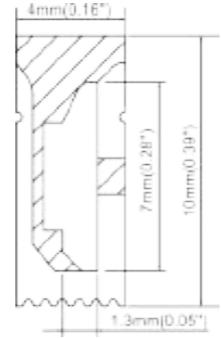


End Cap with hole
End cap without hole

ACCESSORIES



Mounting clip (aluminum)





4mm(0.16")
7mm(0.28")
10mm(0.39")
1.3mm(0.05")

CE **R65**

LW-S-0612-S


Types of installation:



Material: Silicon Co-extrusion
Dimension: 6x12mm
Length: MAX 100m


- 8mm PCB
- 14W at maximum

FINISH




white

END CAPS


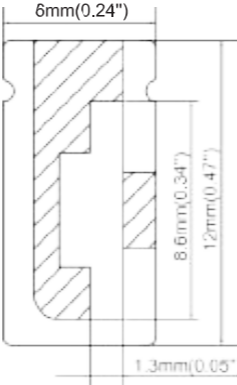


End Cap with hole
End cap without hole

ACCESSORIES



Mounting clip (aluminum)





6mm(0.24")
8.6mm(0.34")
12mm(0.47")
1.3mm(0.05")

CE **R65**

LW-S-010-T


Types of installation:



Material: Silicon Co-extrusion
Dimension: 10x10mm
Length: MAX 100m


- 6mm PCB
- 14W at maximum

FINISH




white

END CAPS


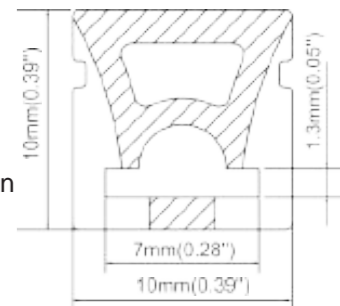


End Cap with hole
End cap without hole

ACCESSORIES



Mounting clip (aluminum)

10mm(0.39")
7mm(0.28")
10mm(0.39")
1.3mm(0.05")

CE **R65**

LW-S-S3021-T

Types of installation:



Material: Silicon Co-extrusion
Dimension: 30x21.5mm
Length: MAX 100m

- 15mm PCB
- 14W at maximum

FINISH



white

END CAPS



End Cap with hole
End cap without hole

ACCESSORIES



Mounting clip

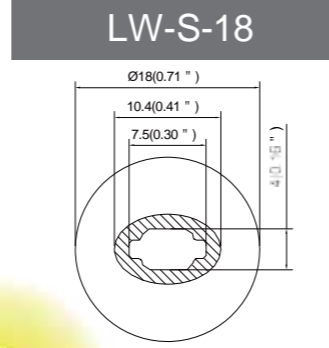



3.1mm(0.12")
16mm(0.63")
30mm(1.18")
21.5mm(0.85")

CE **R65**



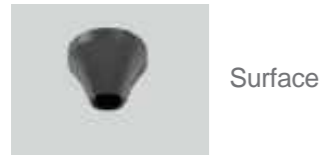
CE R65



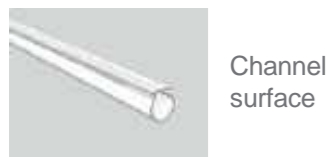
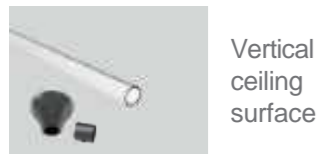
Features

- Made of highly flexible silicone, 360° light emission, matt surface
- Free cutting, minimum cutting distance of 5mm
- Choice of 2 color temperatures (3000K/4000K)
- 14w/m, 850lm/W, in door use, 24V

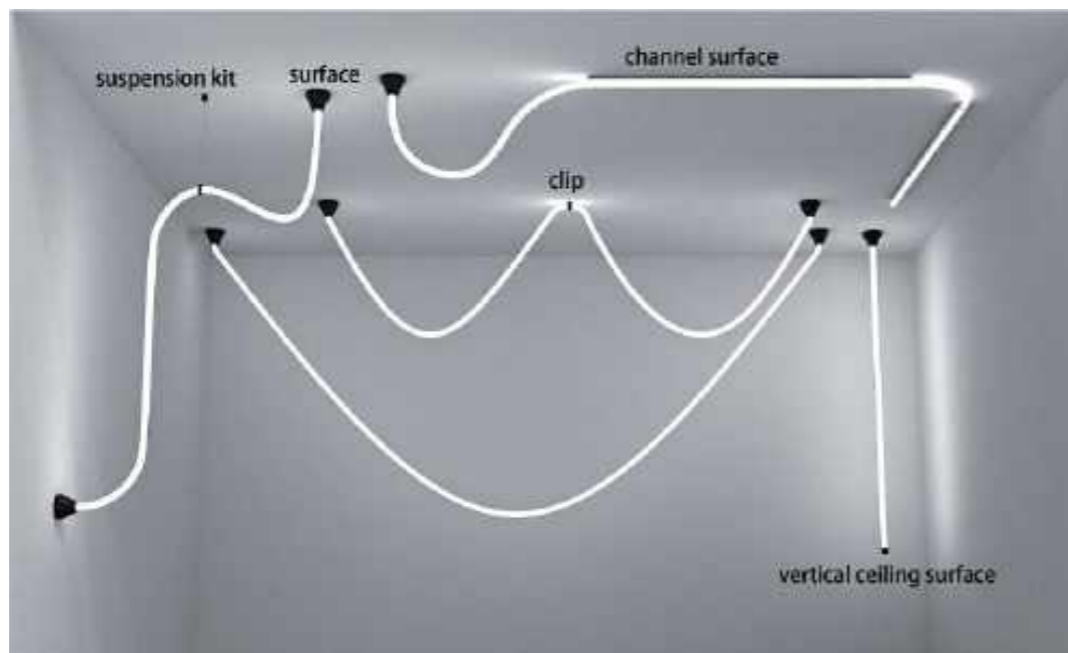
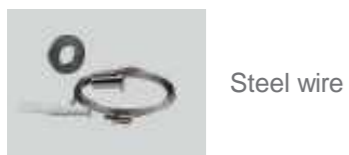
END CAPS



DIFFUSERS



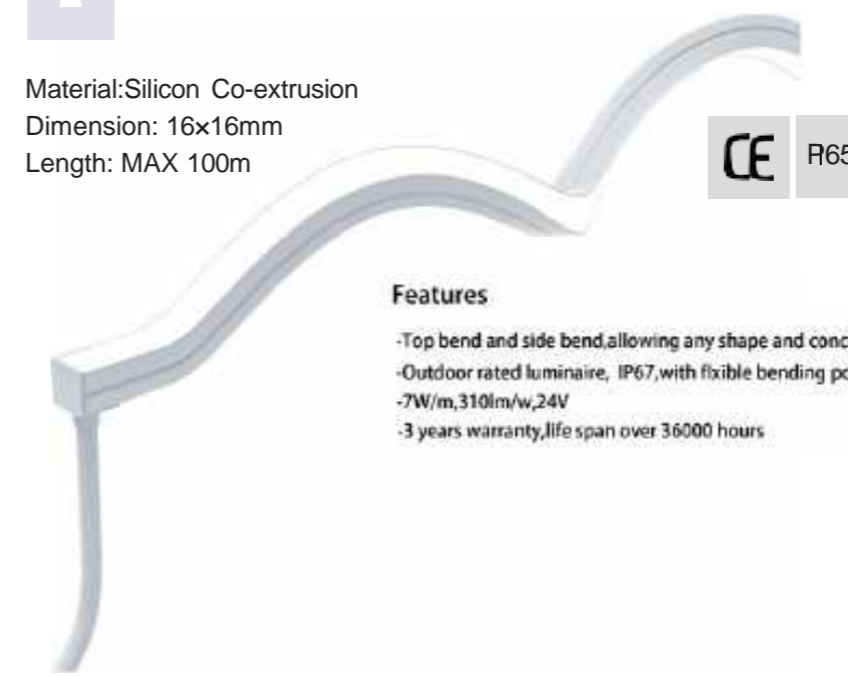
ACCESSORIES



Types of installation:



Material: Silicon Co-extrusion
Dimension: 16x16mm
Length: MAX 100m



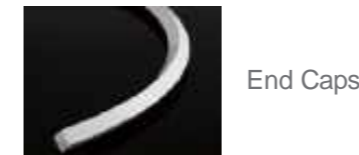
Features

- Top bend and side bend, allowing any shape and conceive creative designs
- Outdoor rated luminaire, IP67, with fixible bending possibilities
- 7W/m, 310lm/w, 24V
- 3 years warranty, life span over 36000 hours

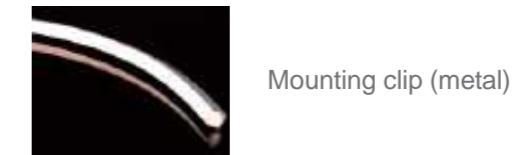
FINISH



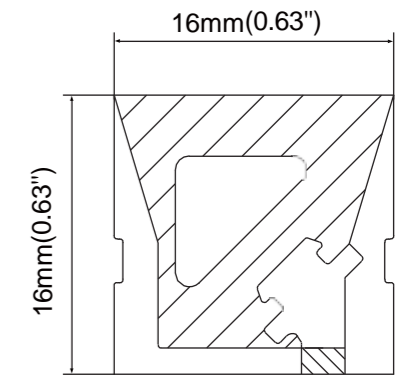
END CAPS



ACCESSORIES



LW-S-1616-3D



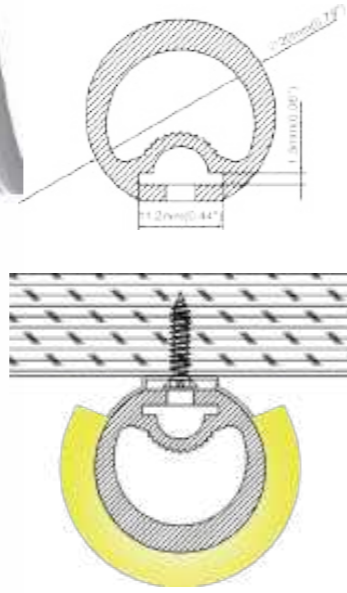
Types of installation:



Material: Silicon Co-extrusion
Dimension: \varnothing 20mm
Length: MAX 100m



LW-S-20



FINISH



white

END CAPS



End Cap with hole
End cap without hole

ACCESSORIES



Clip

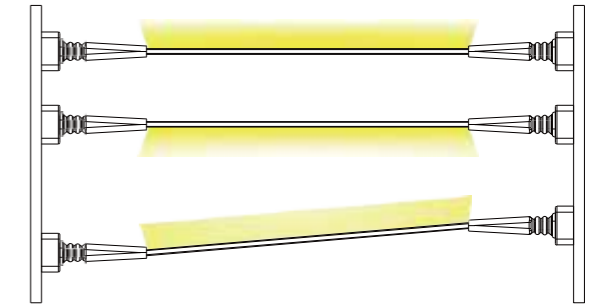
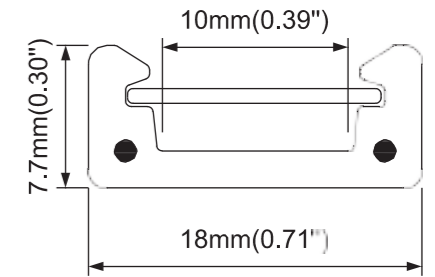


Types of installation:



Material: PC+TPV
Dimension: 18x7.7mm
Length: MAX 6m

LW-TP-1807



DIFFUSERS



PC diffused cover

ACCESSORIES



Mounting kit (Metal)



Wrench Key



Decorative Box (Metal+Silicone)



Mounting Screw



Wrench



Terminal

Types of installation:



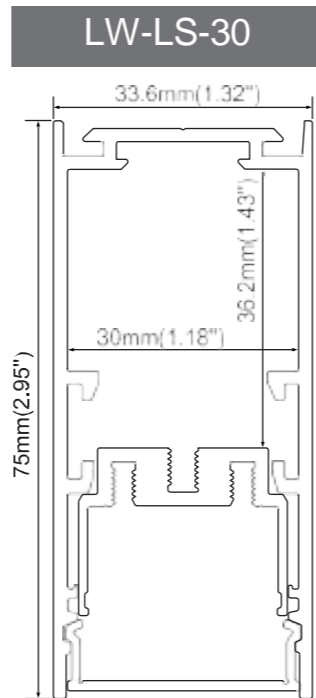
Material: Extruded aluminum
Dimension: 33.6x75mm
Length: MAX 5m



FINISH



Anod. aluminum white Black



END CAPS



End Caps

DIFFUSERS



PC frosted cover

ACCESSORIES



Internal Clip



Outside clip



Blind cover



Safety wire



Steel wire



Reflector: 15°, 30°, 45°



90° Horizontal connector



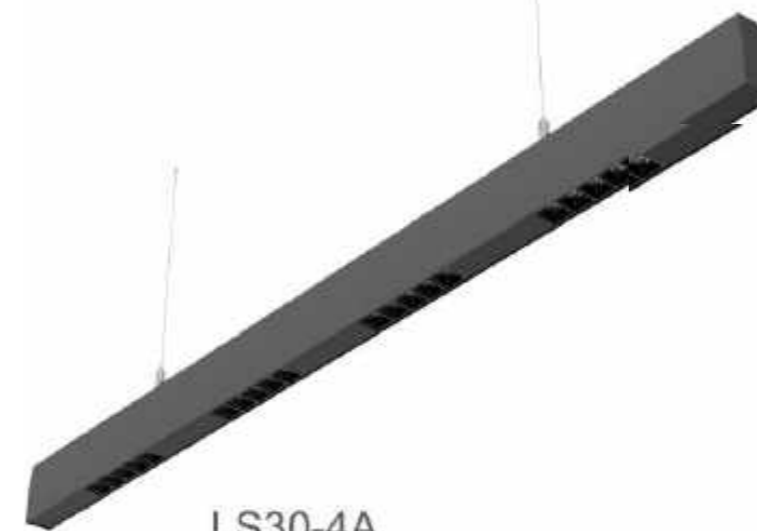
180° Connector



LED module

LW-LS-30

Free combination



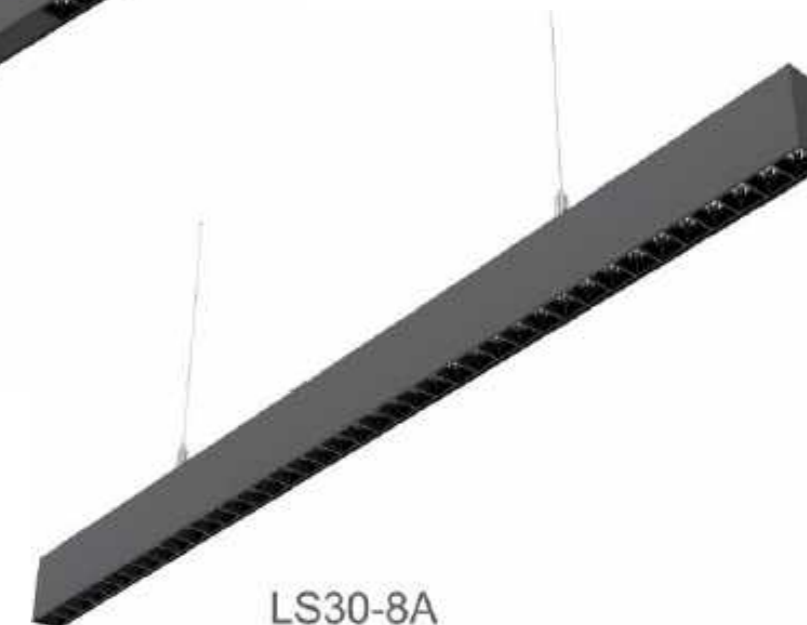
LS30-4A



LS30-4B



LS30-2A



LS30-8A

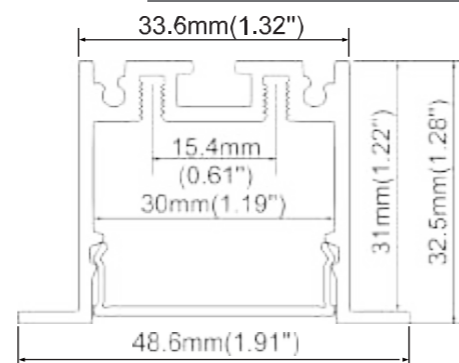
Types of installation:



Material: Extruded aluminum
 Dimension: 48.6x32.5mm
 Length: MAX 5m



LW-LS-30-T



FINISH



Anod. aluminum white Black

END CAPS



End Caps

DIFFUSERS



PC frosted cover

ACCESSORIES



Blind cover



Reflector: 15°, 30°, 45°



Spring clip

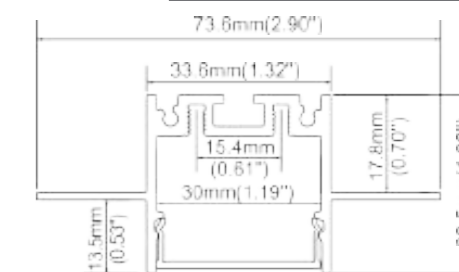
Types of installation:



Material: Extruded aluminum
 Dimension: 73.6x32.5mm
 Length: MAX 5m
 Compatible with 12.5mm drywall



LW-LS-30-TS



FINISH



Anod. aluminum white Black

END CAPS



End Caps

DIFFUSERS



PC frosted cover

ACCESSORIES



Reflector: 15°, 30°, 45°

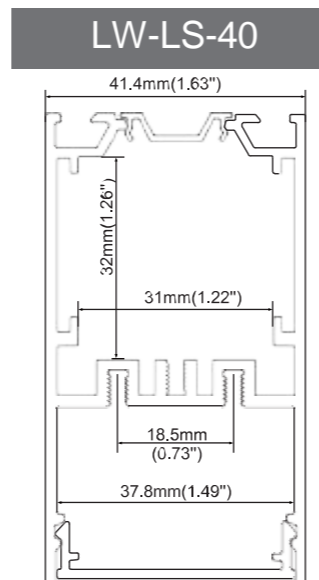
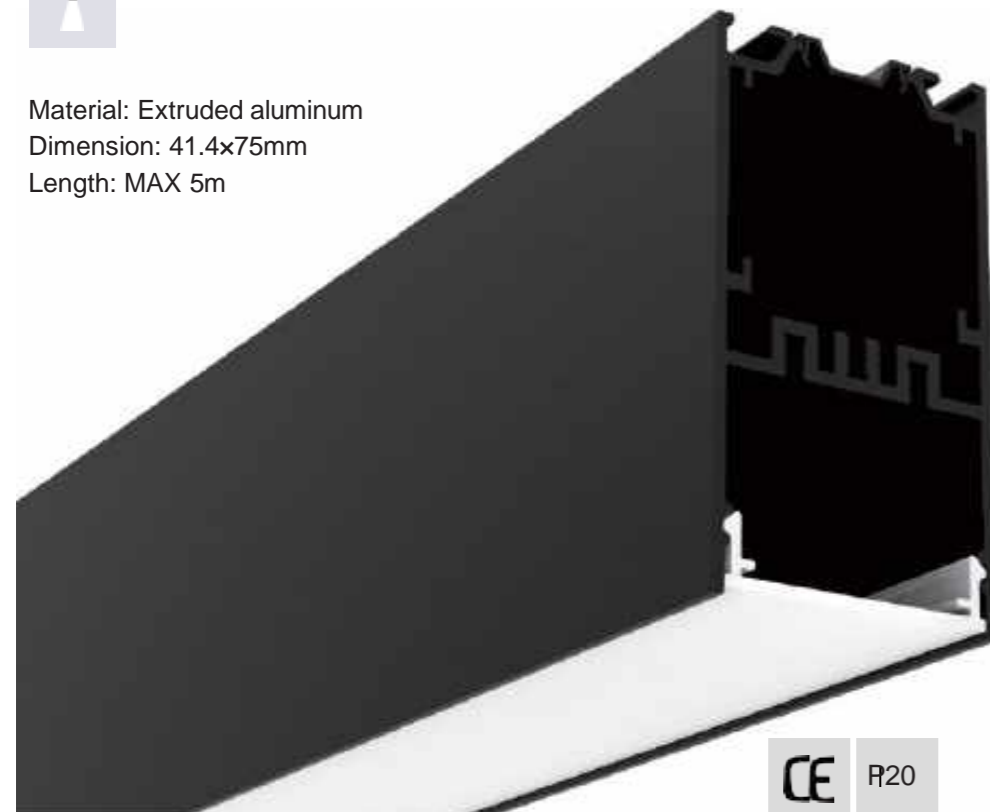


Blind cover

Types of installation:



Material: Extruded aluminum
Dimension: 41.4x75mm
Length: MAX 5m



FINISH



END CAPS



End Caps

DIFFUSERS



PC frosted cover



PMMA clear cover
+Prismatic foil

ACCESSORIES



Mounting clip
(metal)



Steel wire



Blind cover



Lens

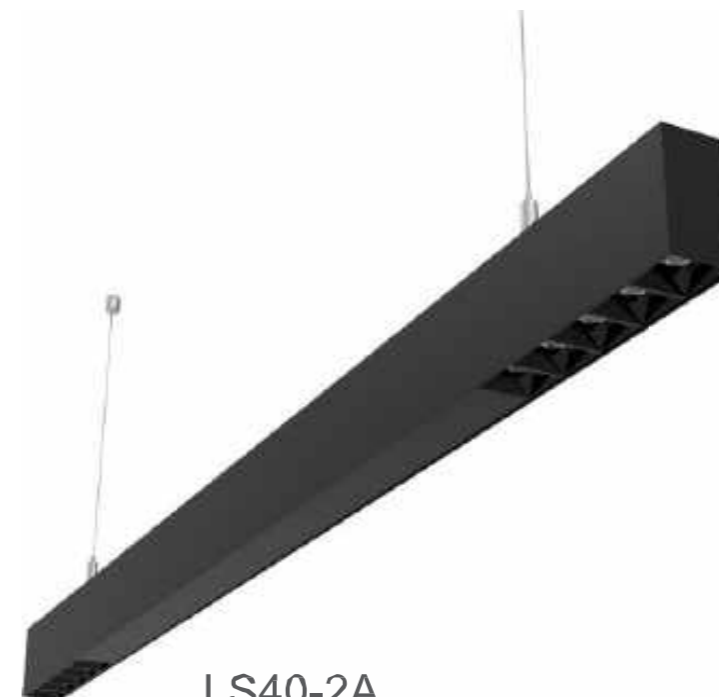


Reflector

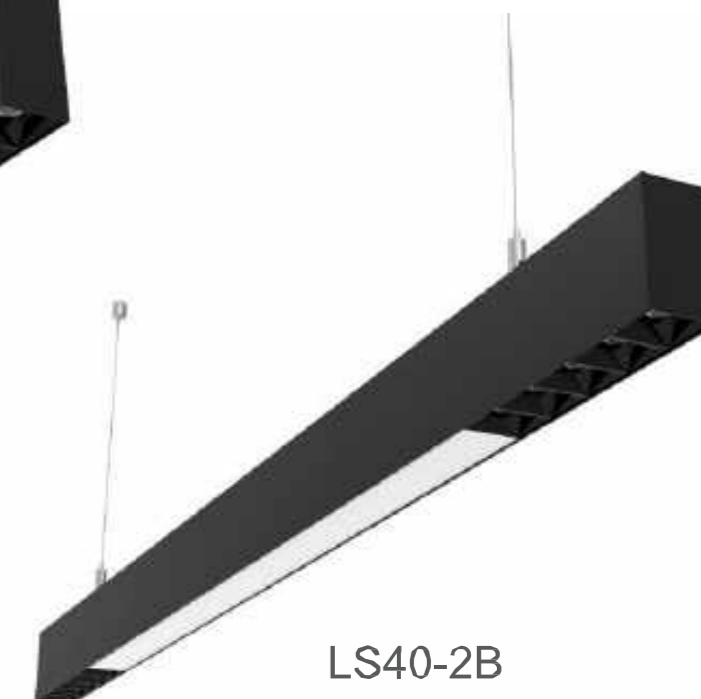


LED Board

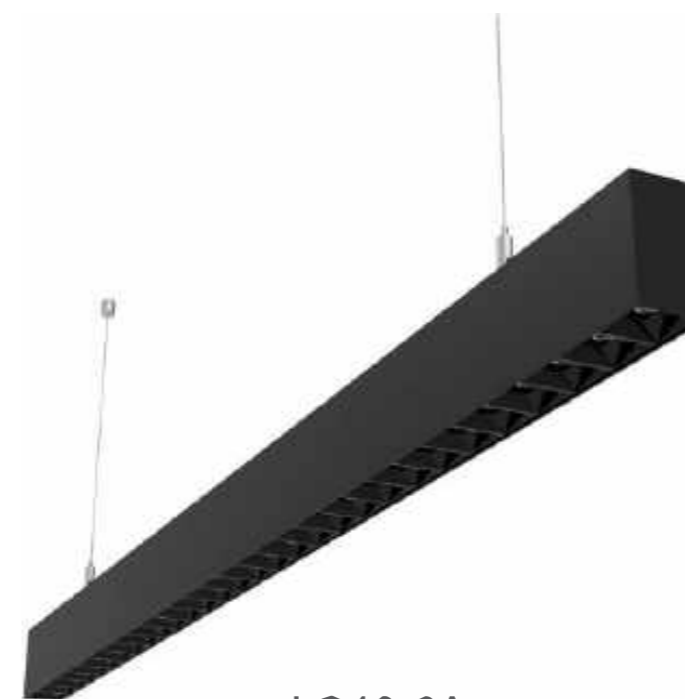
Free combination



LS40-2A



LS40-2B

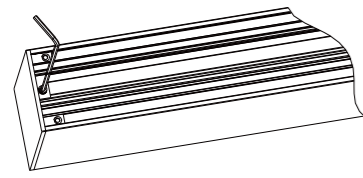


LS40-6A

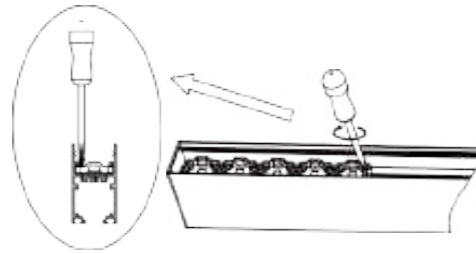


LS40-PC

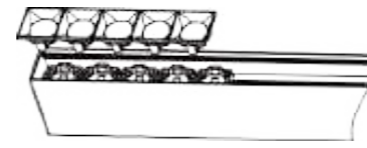
LW-LS-40-2A



Step 01:
Lock the end caps



Step 02:
Fix the base of the reflector



Step 03:
Snap the reflector on the top of the base



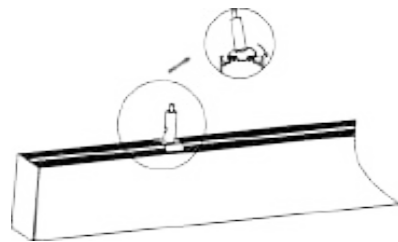
Step 04:
Press the blind cover into the profile



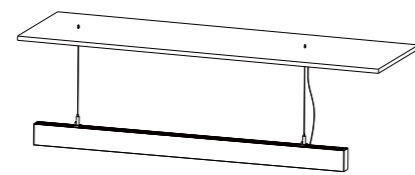
Step 05:
Fix the driver on the back of the profile



Step 06:
Press the aluminum cover into the backside



Step 07:
Install the outside clip



Step 08:
Hang the fixtures on the ceiling



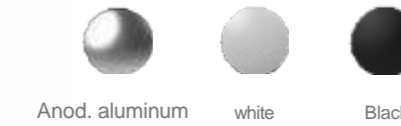
Types of installation:



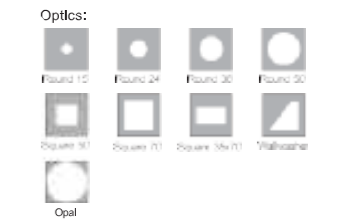
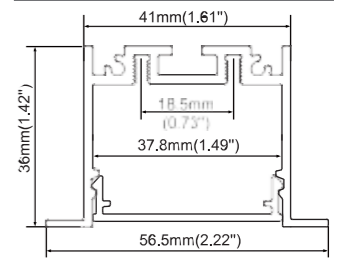
Material: Extruded aluminum
Dimension: 56.5x36mm
Length: MAX 5m



FINISH



LW-LS-40-T



END CAPS



End Caps

DIFFUSERS



PC frosted cover

ACCESSORIES



Spring clip

Types of installation:



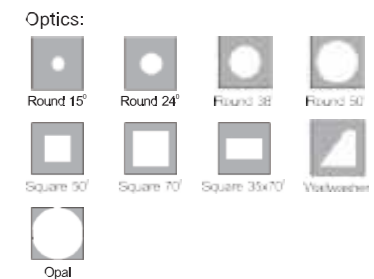
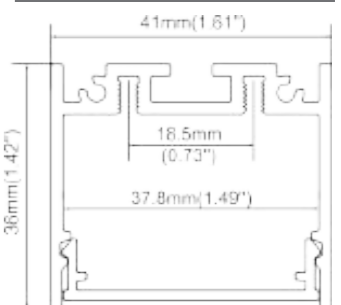
Material: Extruded aluminum
Dimension: 41x36mm
Length: MAX 5m



FINISH



LW-LS-40-S



END CAPS



End Caps

DIFFUSERS



PC frosted cover

ACCESSORIES

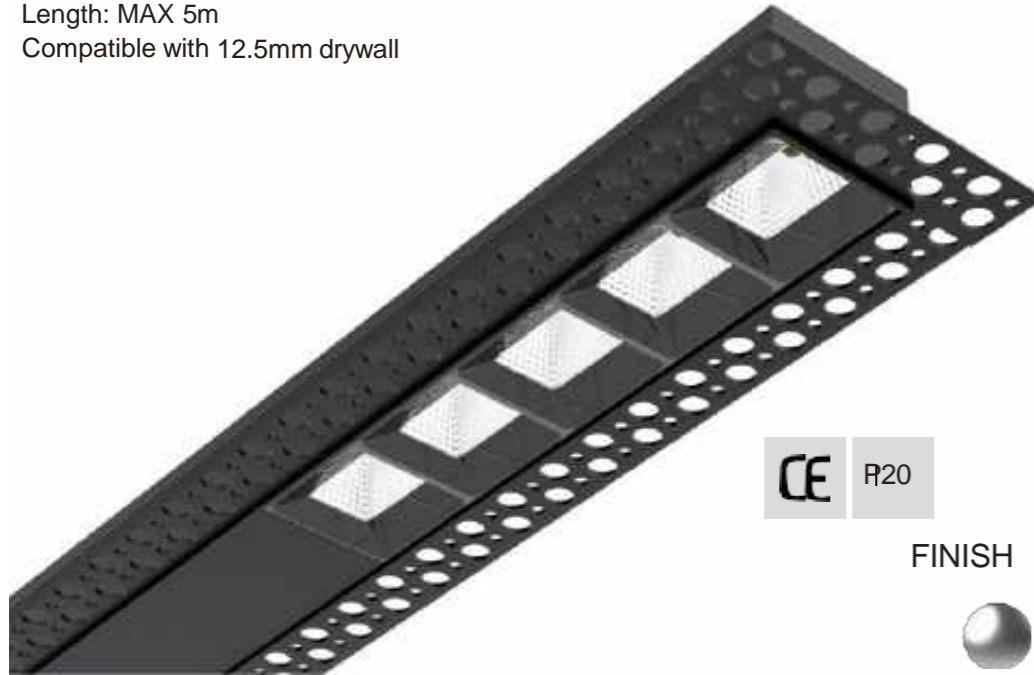


Steel wire

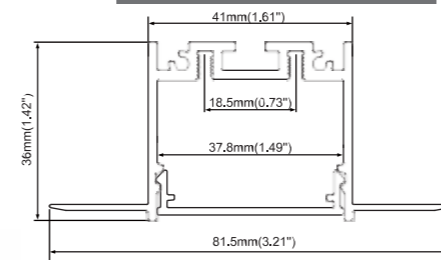
Types of installation:



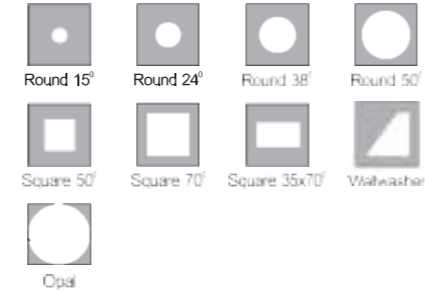
Material: Extruded aluminum
 Dimension: 81.5x36mm
 Length: MAX 5m
 Compatible with 12.5mm drywall



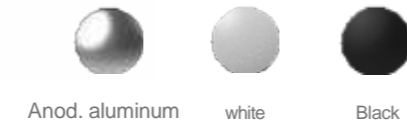
LW-LS-40-TS



Optics:



FINISH



END CAPS



End Caps

DIFFUSERS



PC frosted cover

Types of installation:



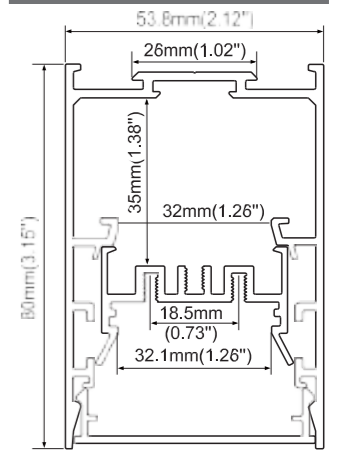
Material: Extruded aluminum
 Dimension: 53.8x80mm
 Length: MAX 5m



FINISH



LW-LS-50



END CAPS



Magnet end caps

DIFFUSERS



PC frosted cover



Large lens



PMMA clear cover +Prismatic foil

ACCESSORIES



Internal Clip



Outside clip



High reflective louver



Safety wire



Steel wire



Reflector: 15°, 30°, 45°



Blind cover



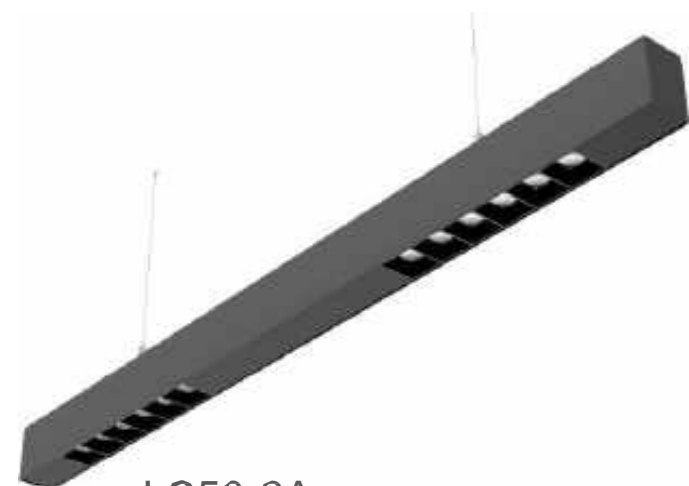
180° Connector



90° Horizontal connector

LW-LS-50

Free combination



LS50-2A



LS50-2B



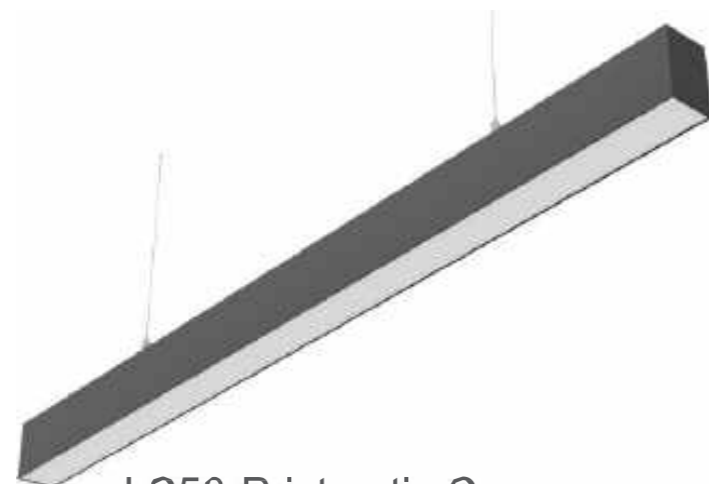
LS50-4A



LS50-Wall Washer



LS50-Reflective Louver



LS50-Prismatic Cover





Types of installation:



Material: Extruded aluminum
Dimension: 73.8x80mm
Length: MAX 5m



END CAPS



End Caps

All of the accessories will be the same as LS50 except for END CAPS

Types of installation:



Material: Extruded aluminum
Dimension: 93.8x80mm
Length: MAX 5m



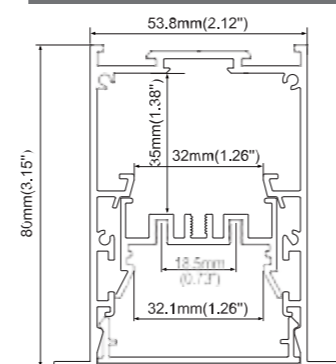
END CAPS



End Caps

All of the accessories will be the same as LS50 except for END CAPS

LW-LS-50-T

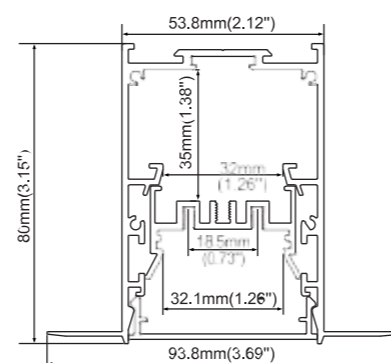


FINISH



Anod. aluminum white Black

LW-LS-50-TS



FINISH



Anod. aluminum white Black

Types of installation:



Material: Extruded aluminum
Dimension: 73.8x80mm
Length: MAX 5m



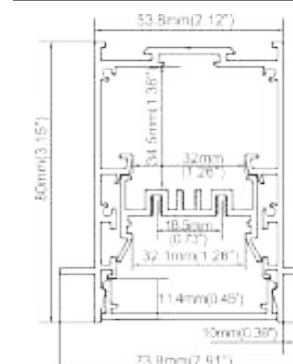
END CAPS



End Caps

All of the accessories will be the same as LS50 except for END CAPS

LW-LS-50-T1

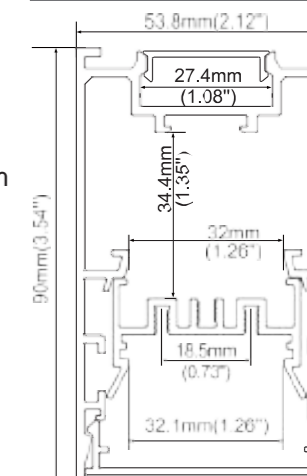


FINISH



Anod. aluminum white Black

LW-LS-50-U



Types of installation:



Material: Extruded aluminum
Dimension: 53.8x90mm
Length: MAX 5m



END CAPS



End Caps

All of the accessories will be the same as LS50 except for END CAPS

ACCESSORIES



Hanging clip

FINISH



Anod. aluminum white Black

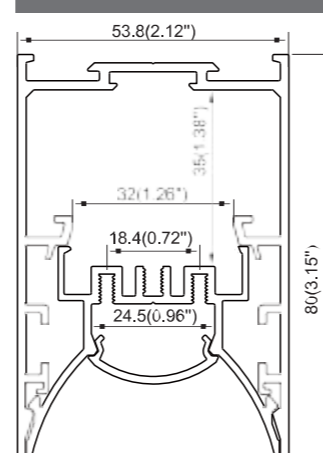
Types of installation:



Material: Extruded aluminum
Dimension: 53.8x80mm
Length: MAX 5m



LW-LS-50-LPC



FINISH



END CAPS



End Caps

DIFFUSERS



PC diffused cover



PMMA clear cover
+Prismatic foil

ACCESSORIES



Internal Clip



Outside clip



Wall washer lens



Symmetrical lens



Steel wire



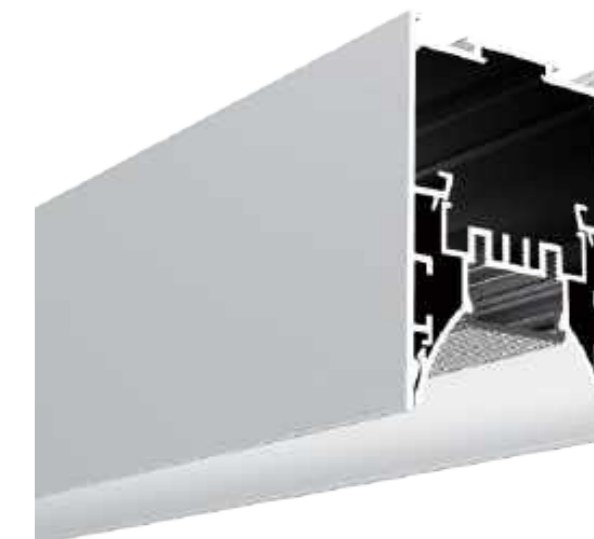
Lens 40° degrees



Lens 60° degrees



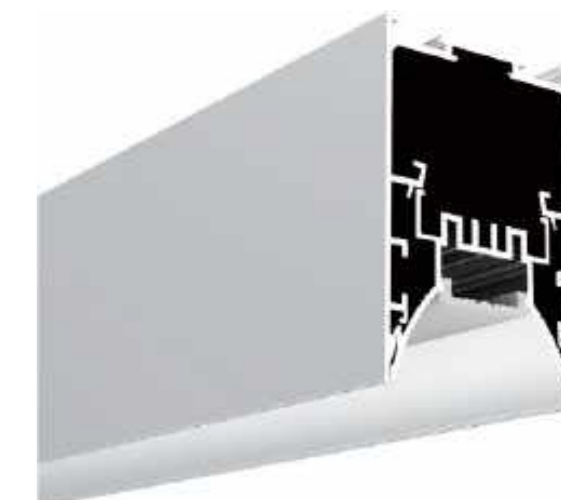
LW-LS-50-LPC



LW-LS50-LPM



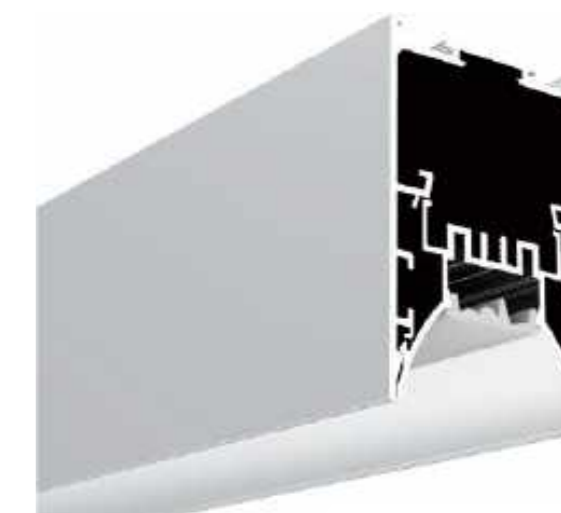
LW-LS-50-L40



LW-LS-50-L60



LW-LS-50-LSY



LW-LS-50-LWW

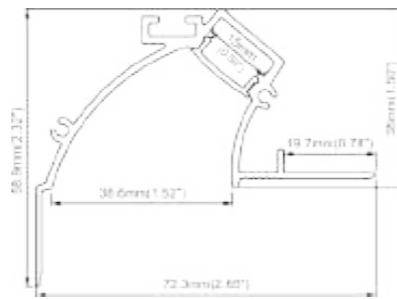
Types of installation:



Material: Extruded aluminum
 Dimension: 72.3x58.9mm
 Length: MAX 5m
 Compatible with 12.5mm drywall



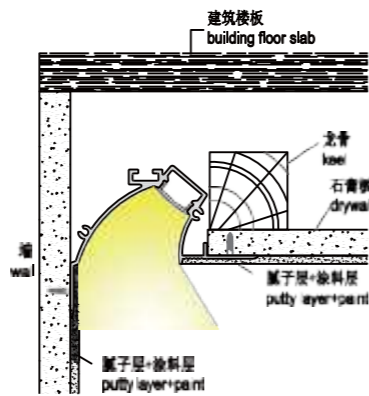
LW-ALP-127-R



FINISH



white



END CAPS



End Caps

DIFFUSERS



PC diffused cover

ACCESSORIES



90° Horizontal connector



90° Vertical connector



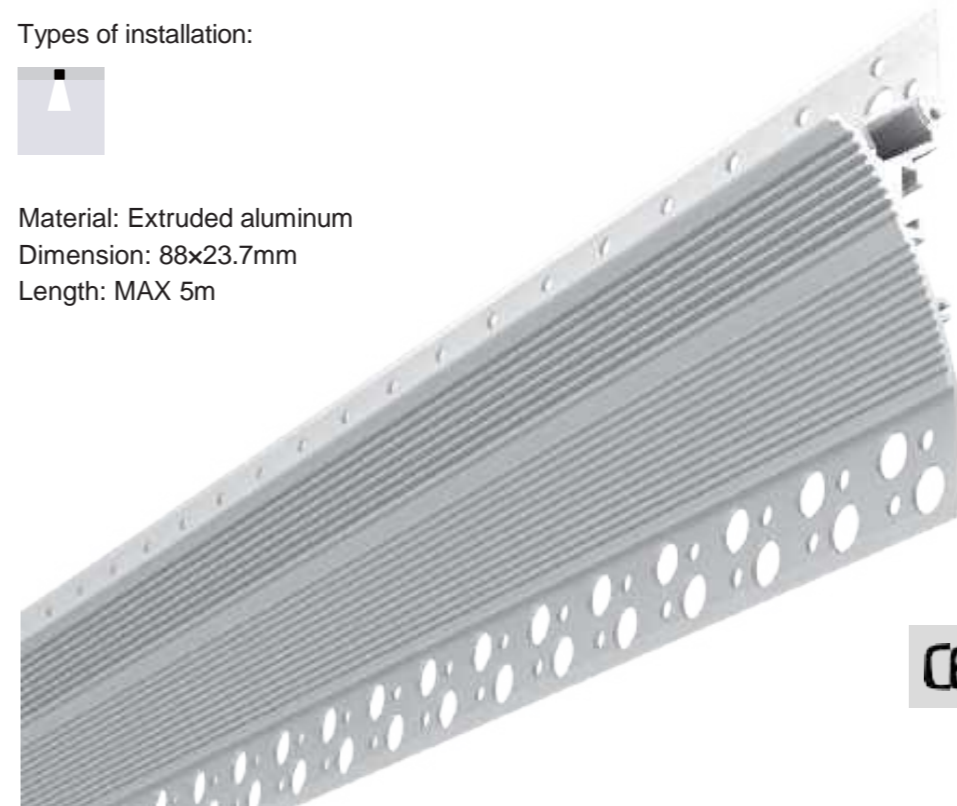
180° Connector



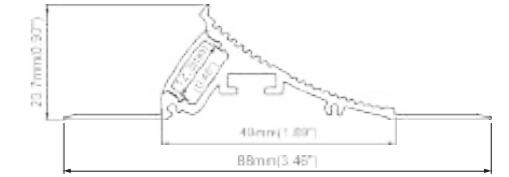
Types of installation:



Material: Extruded aluminum
 Dimension: 88x23.7mm
 Length: MAX 5m



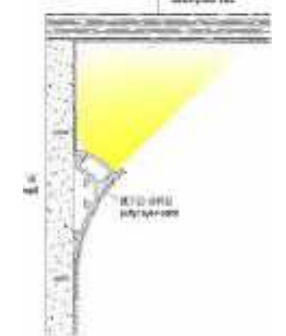
LW-ALP-128-R



FINISH



white



END CAPS



End Caps

DIFFUSERS



PC diffused cover

ACCESSORIES



90° Horizontal connector



90° Vertical connector



180° Connector

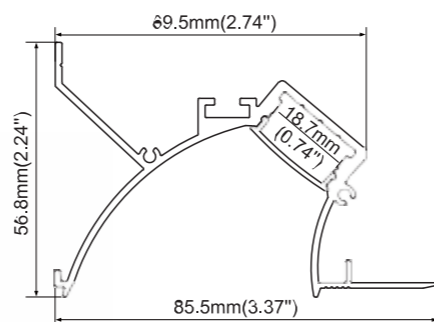


Types of installation:



Material: Extruded aluminum
 Dimension: 85.5x56.8mm
 Length: MAX 5m
 Compatible with 12.5mm drywall

LW-ALP-127



FINISH



white

END CAPS



End Caps

DIFFUSERS



PC diffused cover
 PC semi clear cover

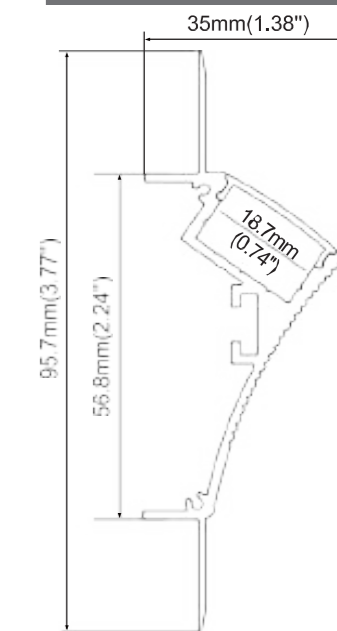
ACCESSORIES



Disposable cover



LW-ALP-128



Types of installation:



FINISH



white

Material: Extruded aluminum
 Dimension: 35x95.7mm
 Length: MAX 5m
 Compatible with 12.5mm drywall

END CAPS



End Caps

DIFFUSERS



PC diffused cover

ACCESSORIES



Disposable cover



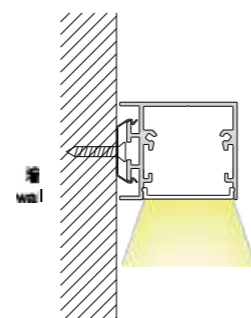
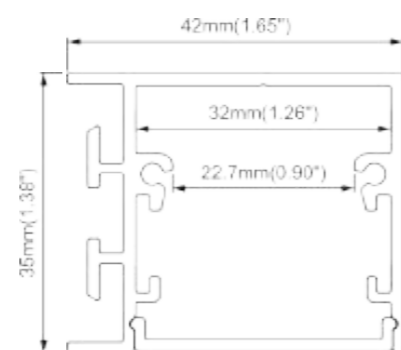
Types of installation:



Material: Extruded aluminum
Dimension: 42x35mm
Length: MAX 5m



LW-ALP-019-R



FINISH



END CAPS



End cap with hole
End cap without hole

DIFFUSERS



PC diffused cover

ACCESSORIES



90° Horizontal connector



90° Vertical connector



180° Connector

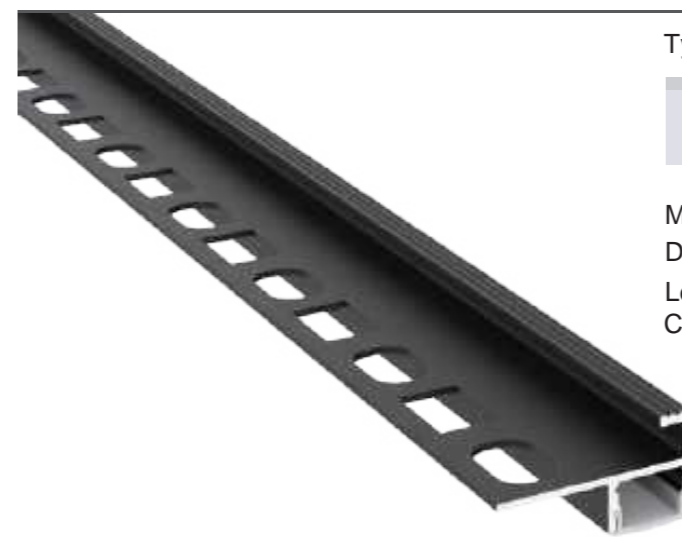


Mounting clip (metal)

Types of installation:



Material: Extruded aluminum
Dimension: 40.1x22mm
Length: MAX 5m
Compatible with 8mm tile



LW-ALP-184-9



FINISH



END CAPS



End cap with hole
End cap without hole

DIFFUSERS



PC diffused cover

ACCESSORIES

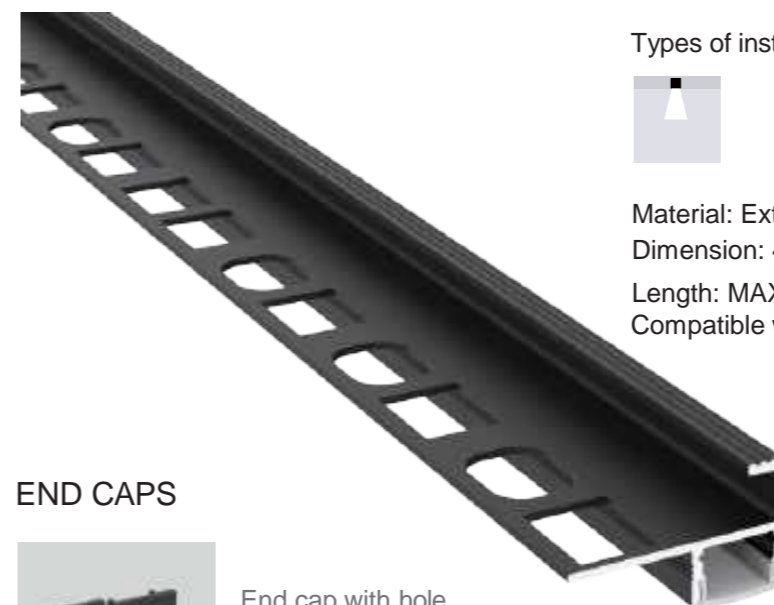


Disposable cover

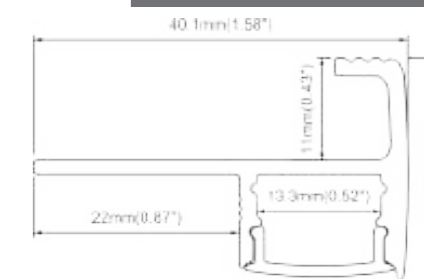
Types of installation:



Material: Extruded aluminum
Dimension: 40.1x24mm
Length: MAX 5m
Compatible with 10mm tile



LW-ALP-184-11



FINISH



END CAPS



End cap with hole
End cap without hole

DIFFUSERS



PC diffused cover

ACCESSORIES

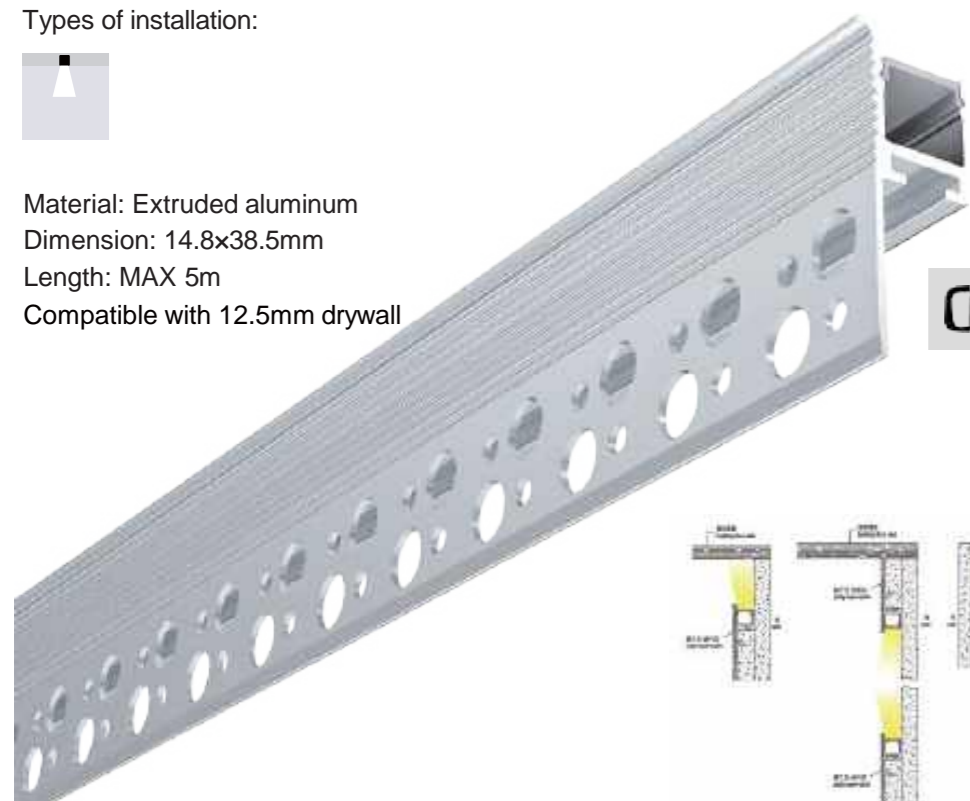


Disposable cover

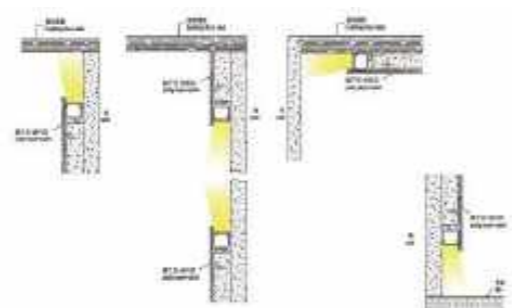
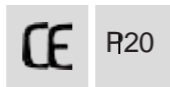
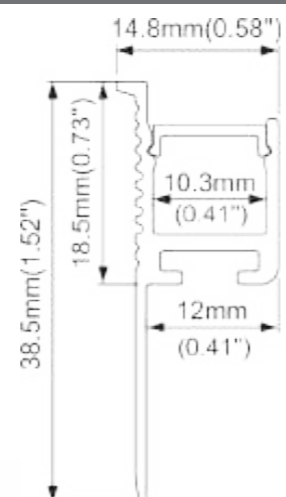
Types of installation:



Material: Extruded aluminum
 Dimension: 14.8x38.5mm
 Length: MAX 5m
 Compatible with 12.5mm drywall



LW-ALP-185



END CAPS



End Caps

FINISH



DIFFUSERS



PC diffused cover

ACCESSORIES



90° Horizontal connector



90° Vertical connector



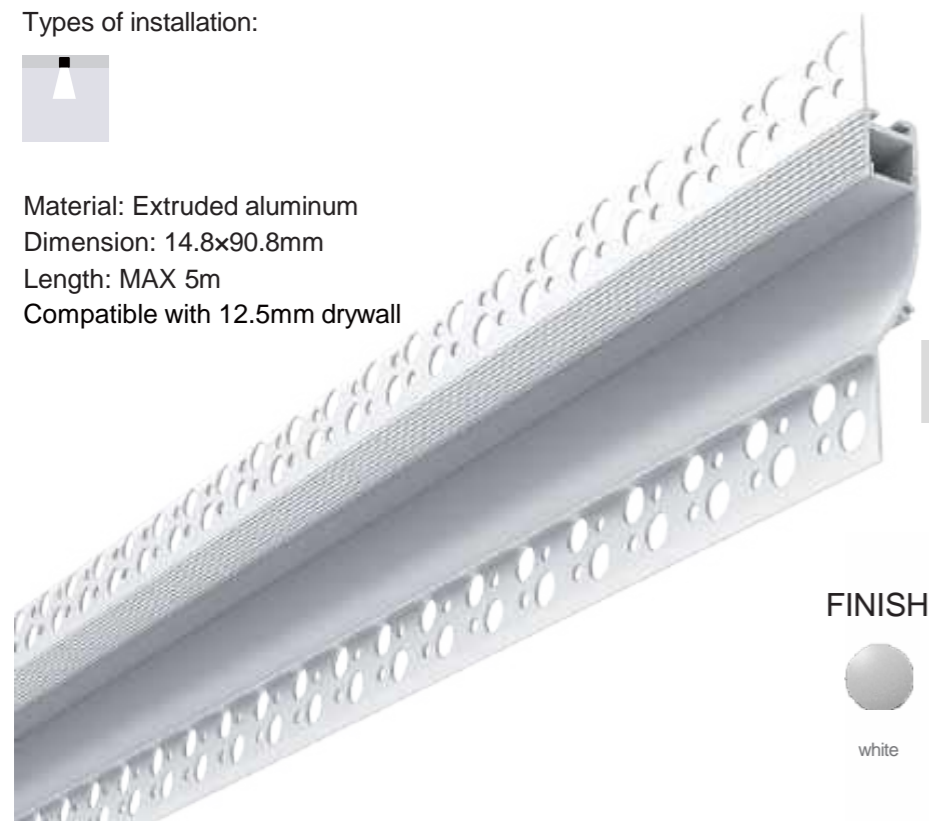
180° Connector



Types of installation:



Material: Extruded aluminum
Dimension: 14.8x90.8mm
Length: MAX 5m
Compatible with 12.5mm drywall



LW-ALP-186



FINISH



white

腻子层 涂料层
putty layer+paint

腻子层 涂料层
putty layer+paint

END CAPS



End Caps

DIFFUSERS



PC diffused cover

ACCESSORIES



90° Horizontal connector



90° Vertical connector



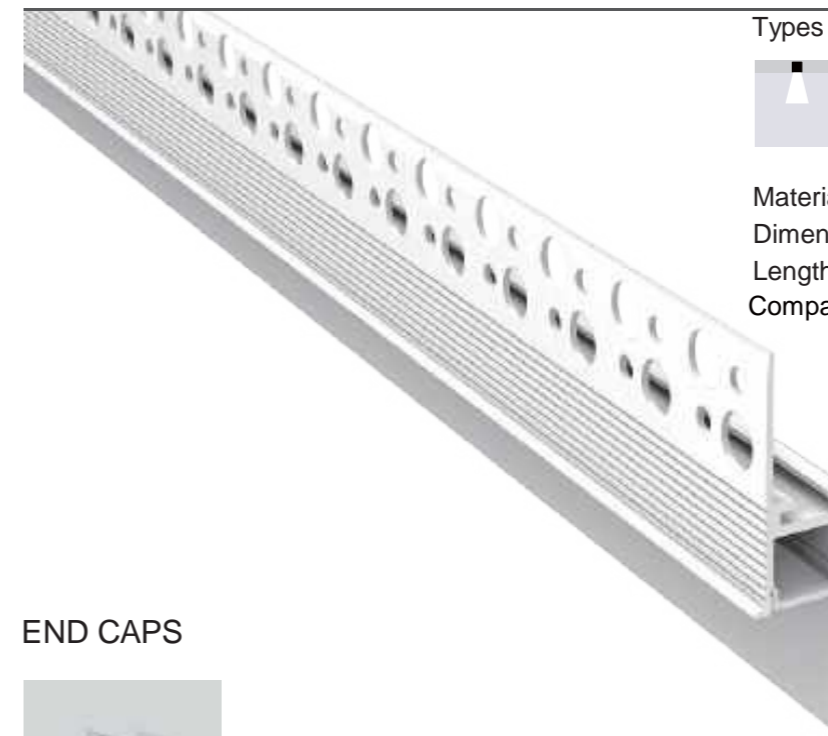
180° Connector



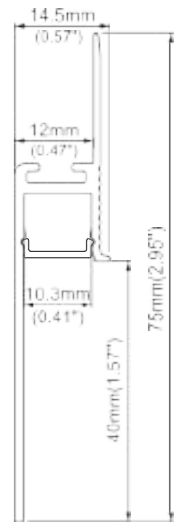
Types of installation:



Material: Extruded aluminum
Dimension: 14.5x75mm
Length: MAX 5m
Compatible with 12.5mm drywall



LW-ALP-187



FINISH



Anod. aluminum



white



Black

END CAPS



End Caps

DIFFUSERS



PC diffused cover

ACCESSORIES



90° Horizontal connector



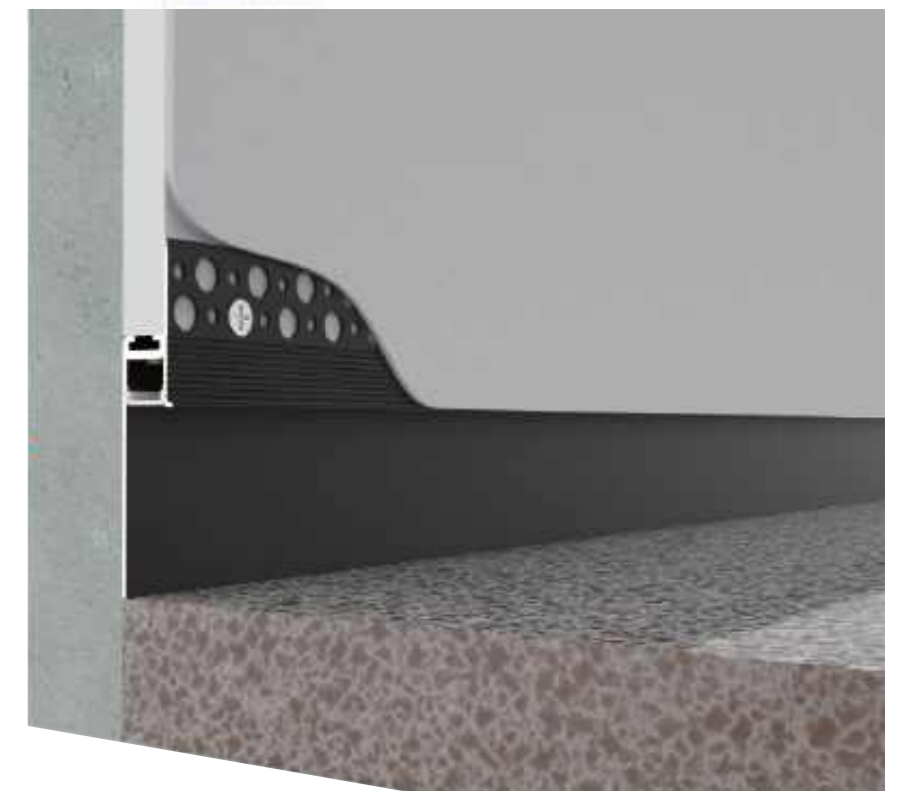
90° Vertical



180° Conne



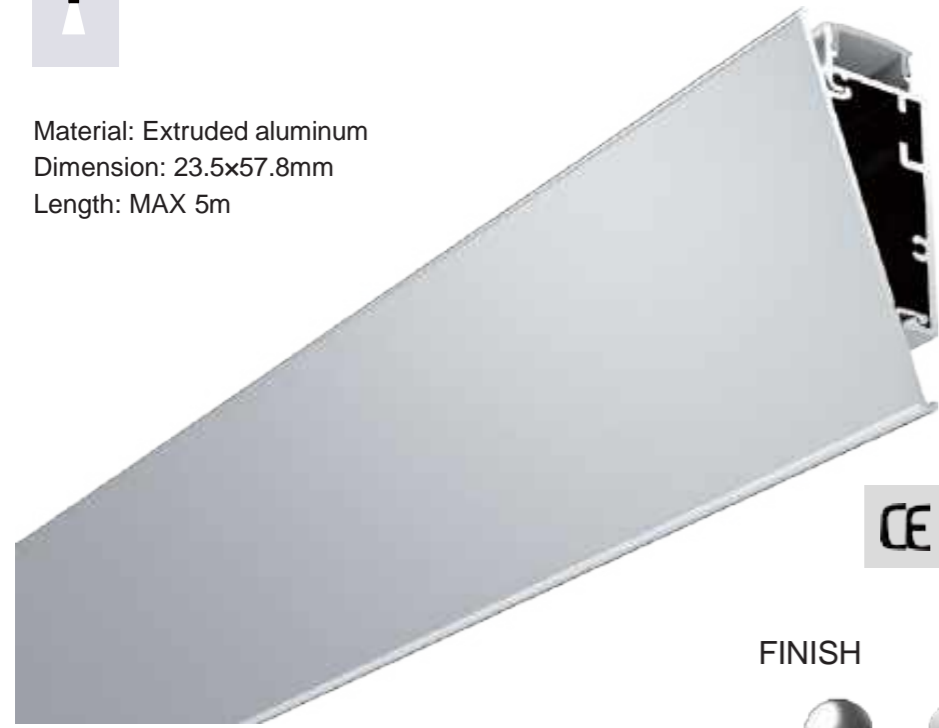
Disposable cover



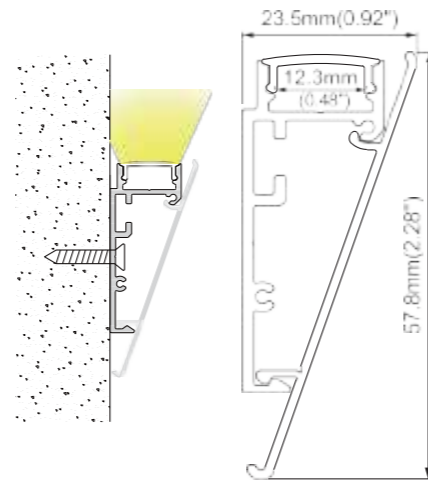
Types of installation:



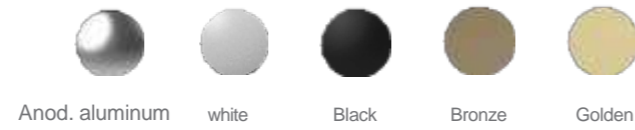
Material: Extruded aluminum
Dimension: 23.5x57.8mm
Length: MAX 5m



LW-ALP-188



FINISH



END CAPS



End Caps

DIFFUSERS



PC diffused cover

ACCESSORIES



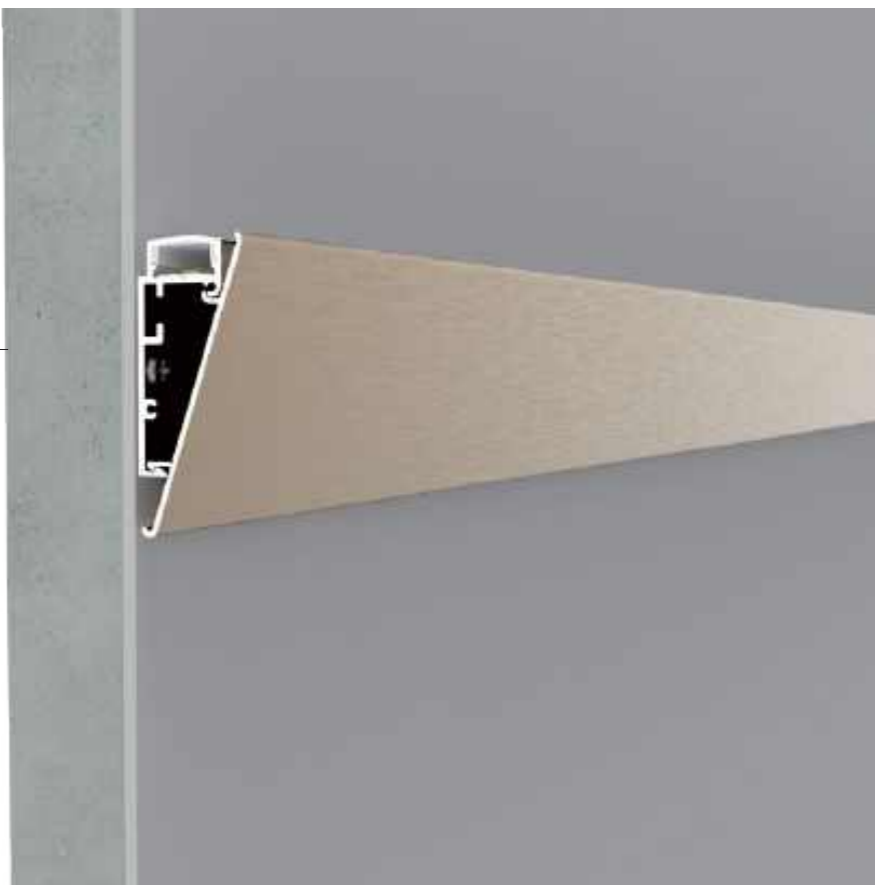
90° Horizontal connector



90° Vertical connector



180° Connector



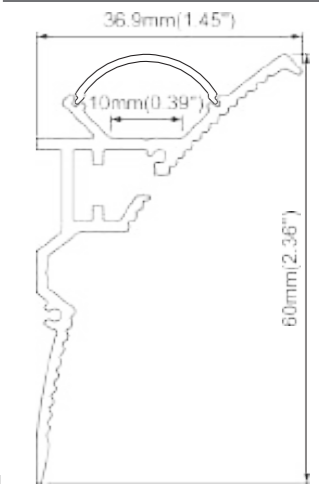
Types of installation:



Material: Extruded aluminum
Dimension: 36.9x60mm
Length: MAX 5m



LW-ALP-189



FINISH



END CAPS



End Caps

DIFFUSERS



PC diffused cover

ACCESSORIES



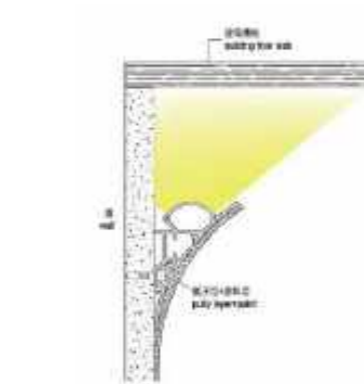
90° Horizontal connector



90° Vertical connector



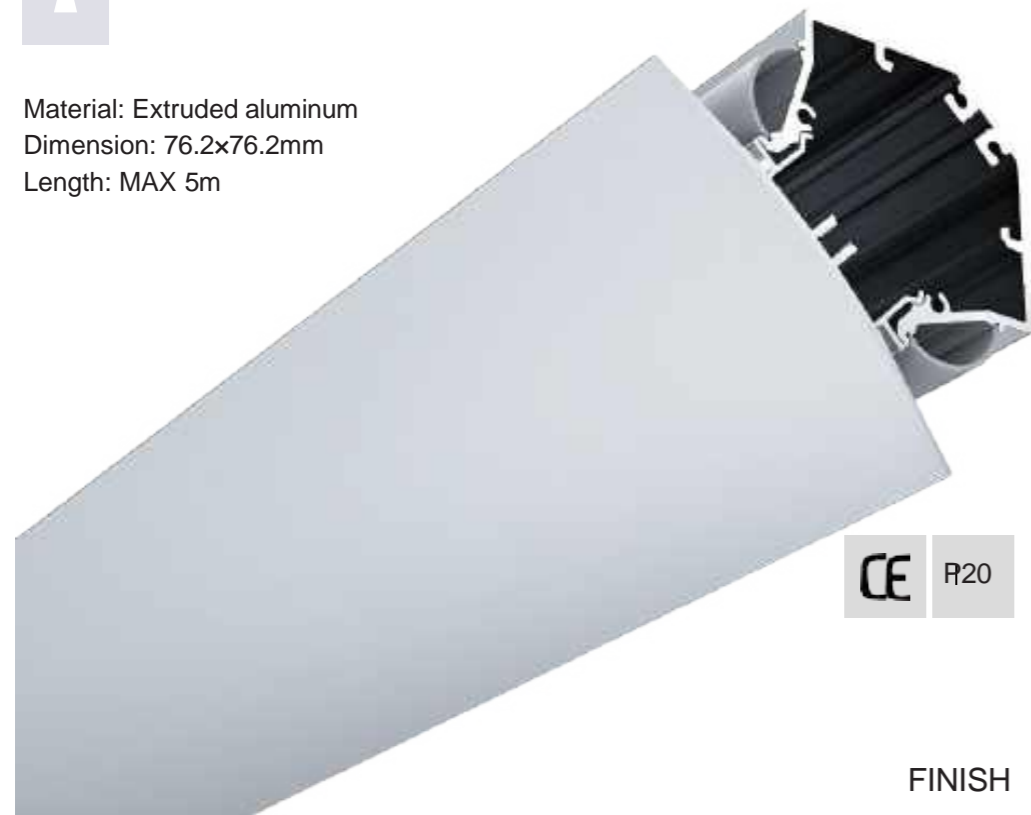
180° Connector



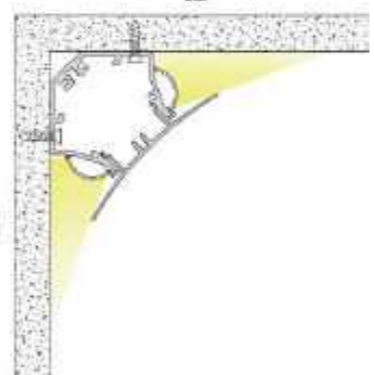
Types of installation:



Material: Extruded aluminum
Dimension: 76.2x76.2mm
Length: MAX 5m



LW-ALP-190



FINISH



Anod. aluminum white Black

END CAPS



End Caps

DIFFUSERS



PC diffused cover



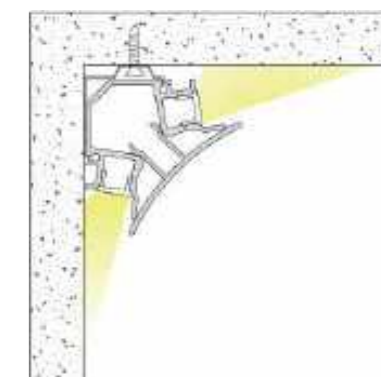
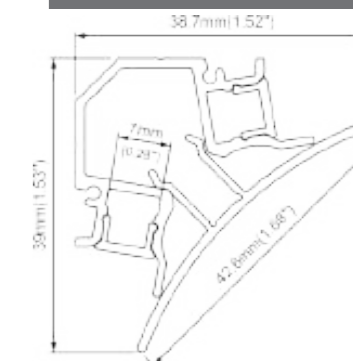
Types of installation:



Material: Extruded aluminum
Dimension: 38.7x39mm
Length: MAX 5m



LW-ALP-191



FINISH



Anod. aluminum white Black

END CAPS



End Caps

DIFFUSERS



PC diffused cover

ACCESSORIES



Mounting clip (metal)



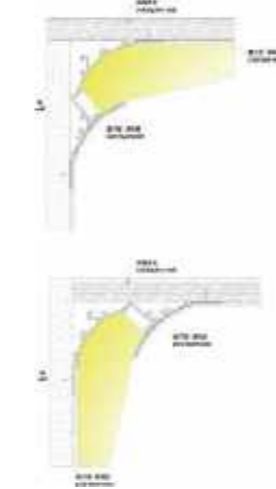
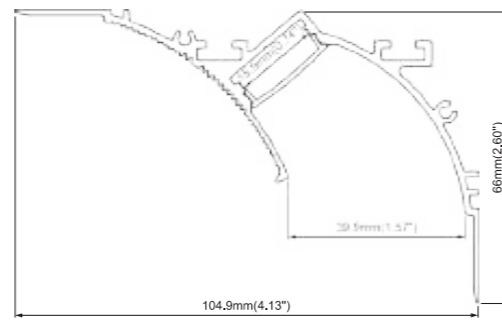
Types of installation:



Material: Extruded aluminum
Dimension: 104.6x66mm
Length: MAX 5m



LW-ALP-194



CE R20

FINISH



white

END CAPS



End Caps

DIFFUSERS



PC diffused cover

ACCESSORIES



90° Horizontal connector



90° Vertical connector



180° Connector



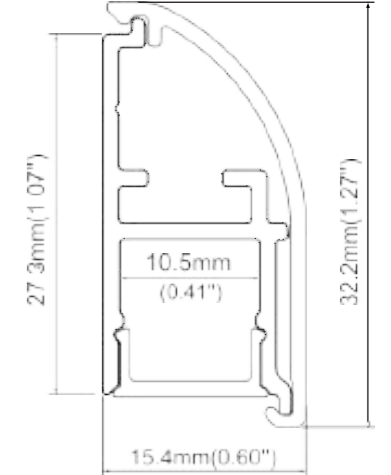
Types of installation:



Material: Extruded aluminum
Dimension: 15.4x32.2mm
Length: MAX 5m



LW-ALP-195



CE R20

FINISH



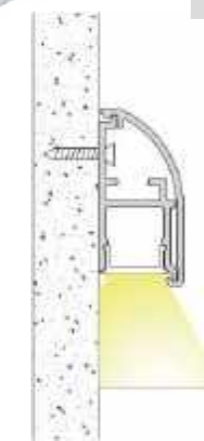
Anod. aluminum



white



Black



END CAPS



End Caps

DIFFUSERS



PC diffused cover

ACCESSORIES



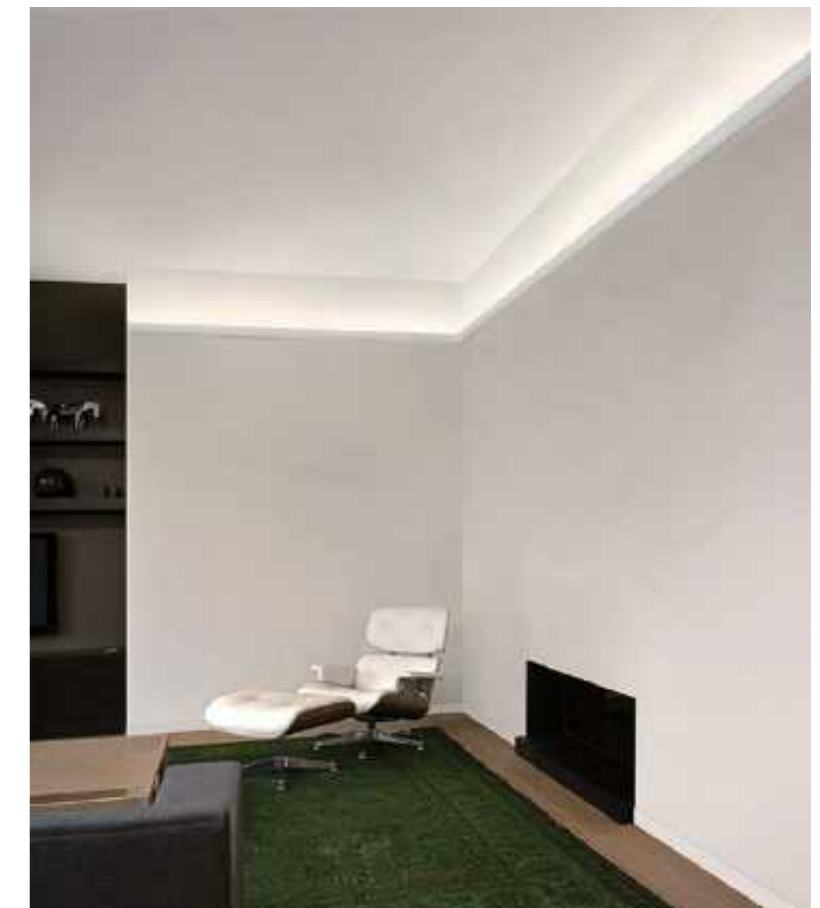
90° Horizontal connector



90° Vertical connector



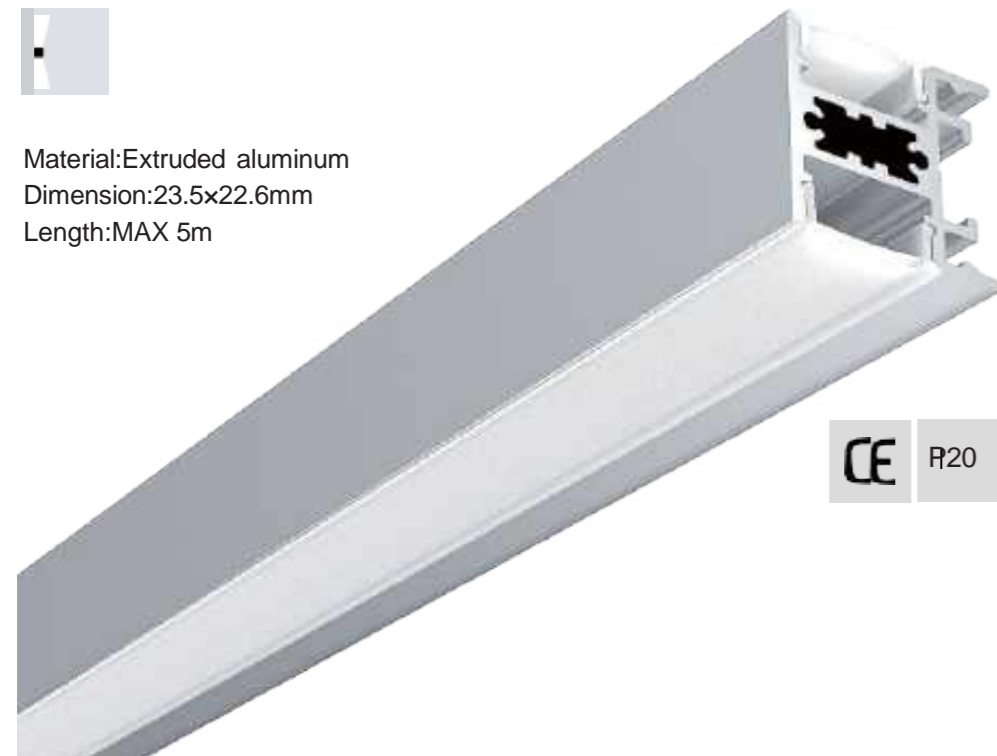
180° Connector



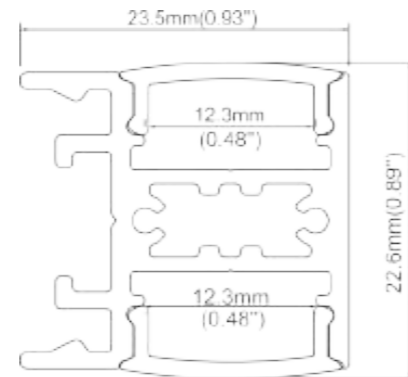
Types of installation:



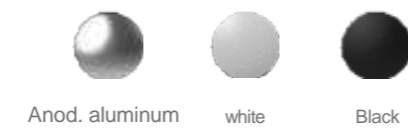
Material: Extruded aluminum
Dimension: 23.5x22.6mm
Length: MAX 5m



LW-ALP-196



FINISH



END CAPS



End Caps

DIFFUSERS



PC diffused cover

ACCESSORIES



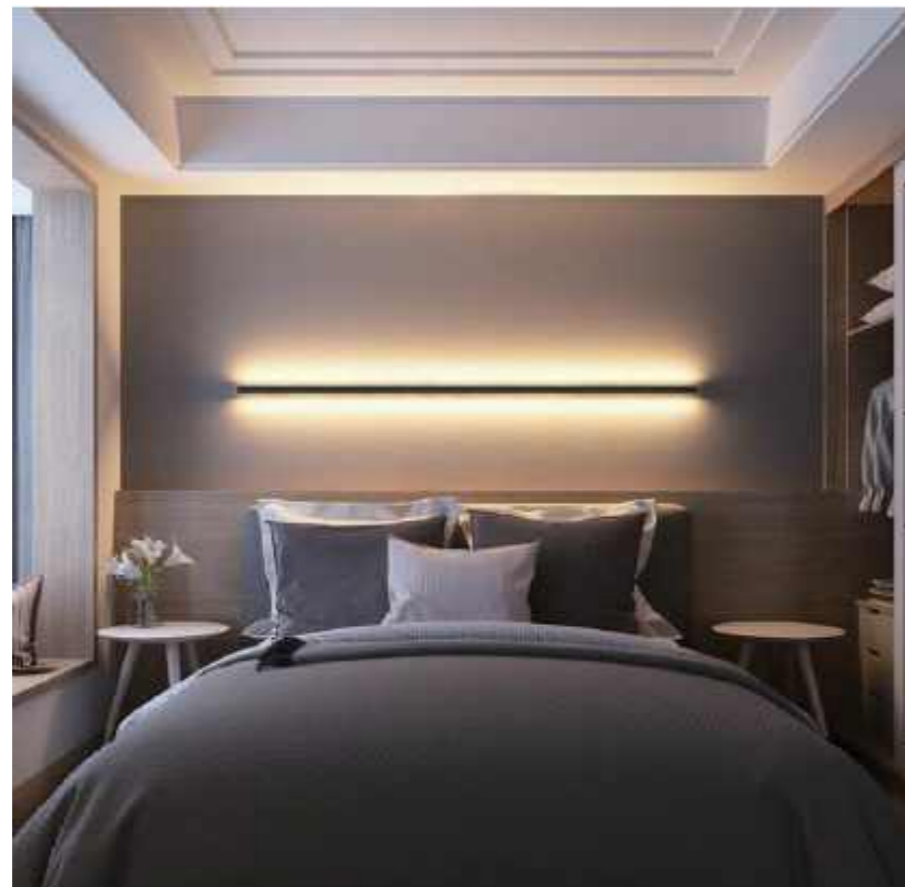
90° Connector



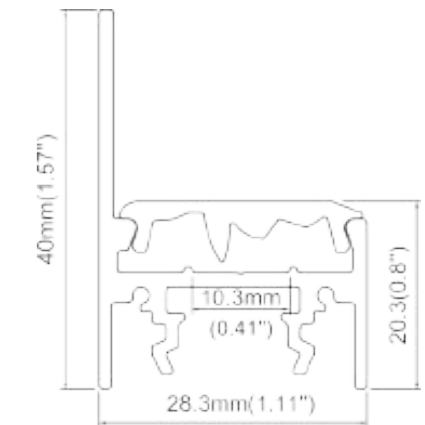
90° Vertical connector



Mounting clip (metal)



LW-ALP-183



Types of installation:



Material: Extruded aluminum
Dimension: 28.3x40mm
Length: MAX 5m

FINISH



END CAPS



End Caps

ACCESSORIES



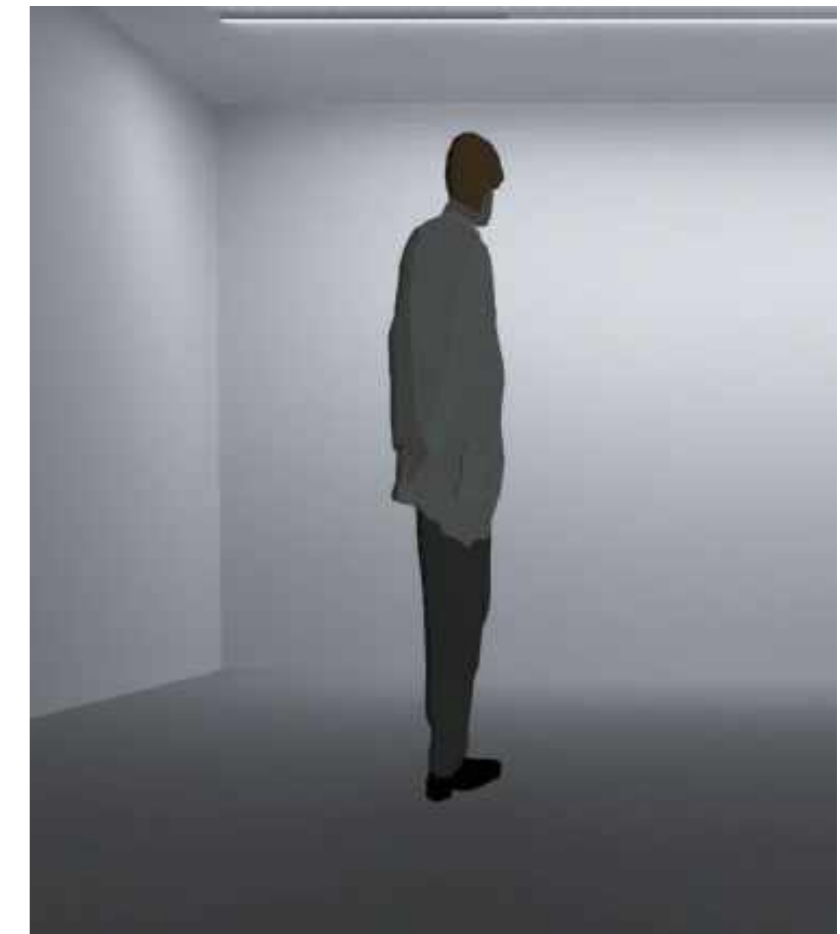
Mounting clip (metal)

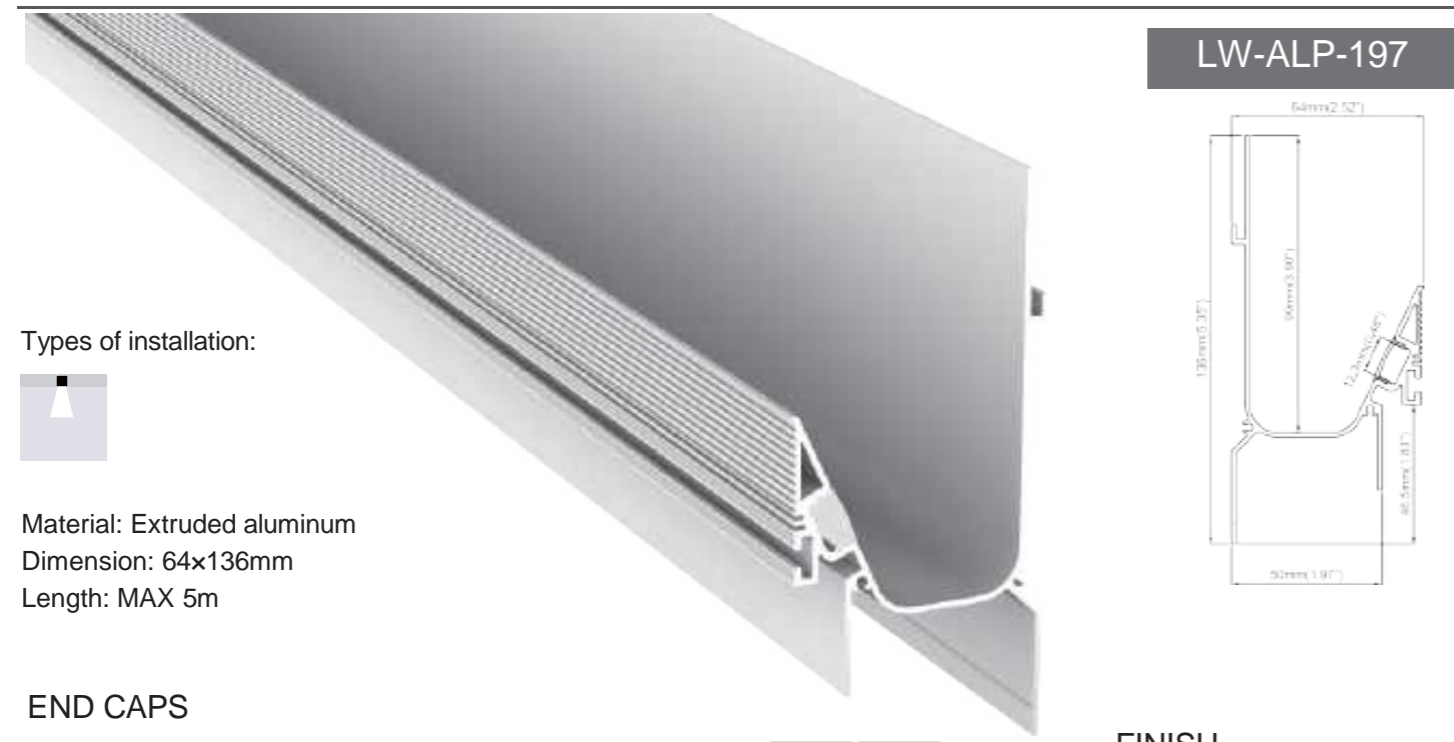


Spring clip



Lens





LW-ALP-197

Types of installation:



Material: Extruded aluminum
Dimension: 64x136mm
Length: MAX 5m

END CAPS



End cap with hole
End cap without hole



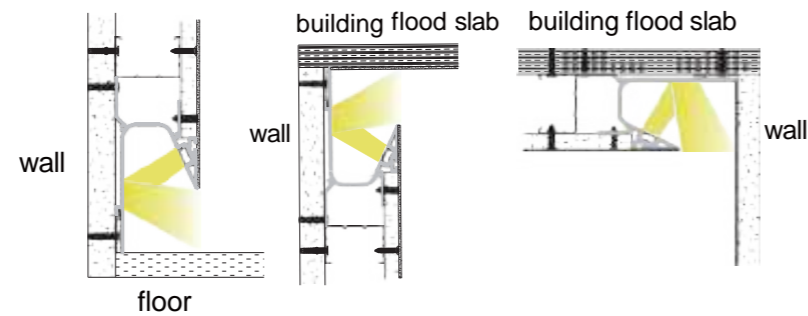
FINISH



DIFFUSERS



PMMA opal matte cover
PMMA semi-clear cover
PMMA clear cover
PC diffused cover



ACCESSORIES



90° Inside Connector



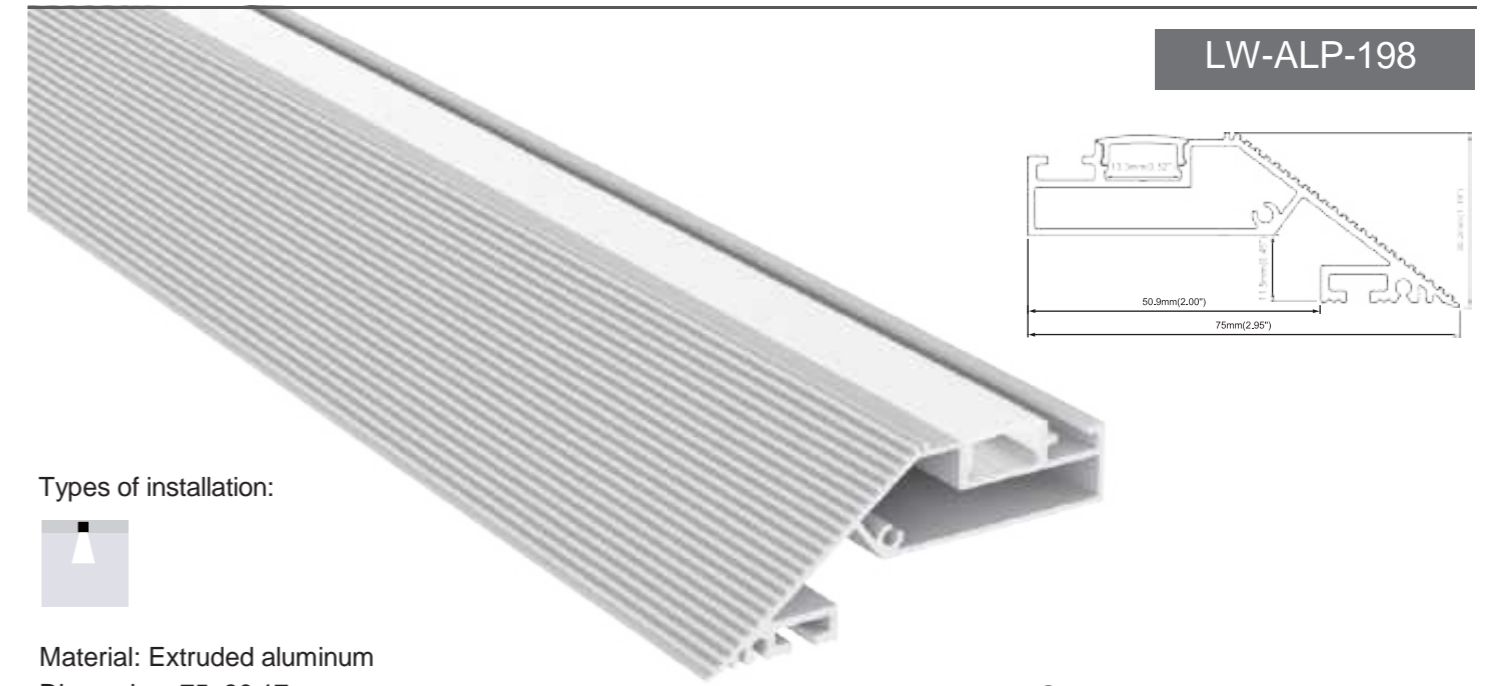
90° Outside Connector



180° Connector



Clip



LW-ALP-198

Types of installation:



Material: Extruded aluminum
Dimension: 75x30.17mm
Length: MAX 5m

END CAPS



End caps

DIFFUSERS



PMMA opal matte cover
PMMA semi-clear cover
PMMA clear cover
PC diffused cover

ACCESSORIES



90° Outside Connector



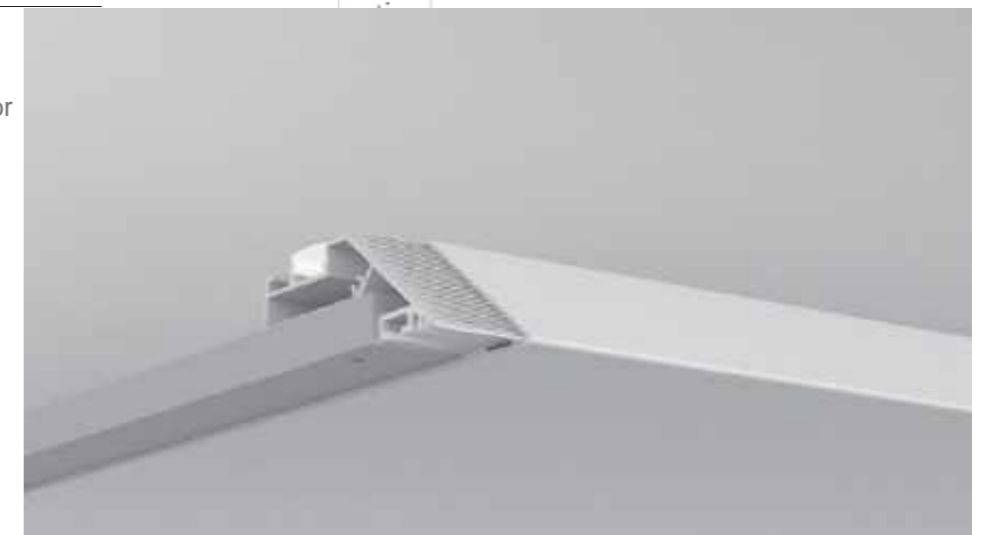
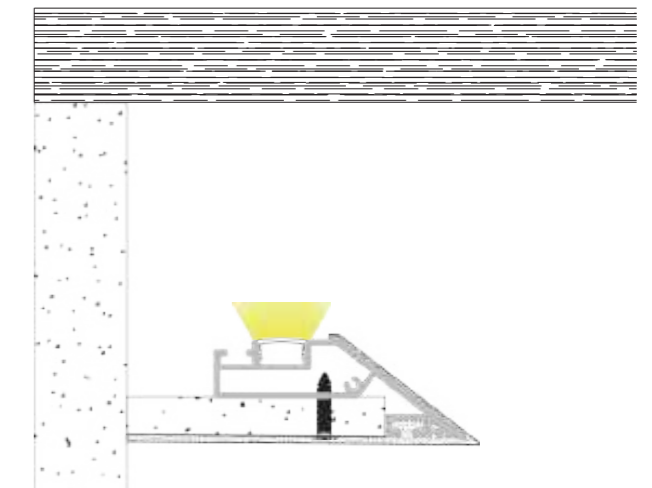
90° Inside Connector

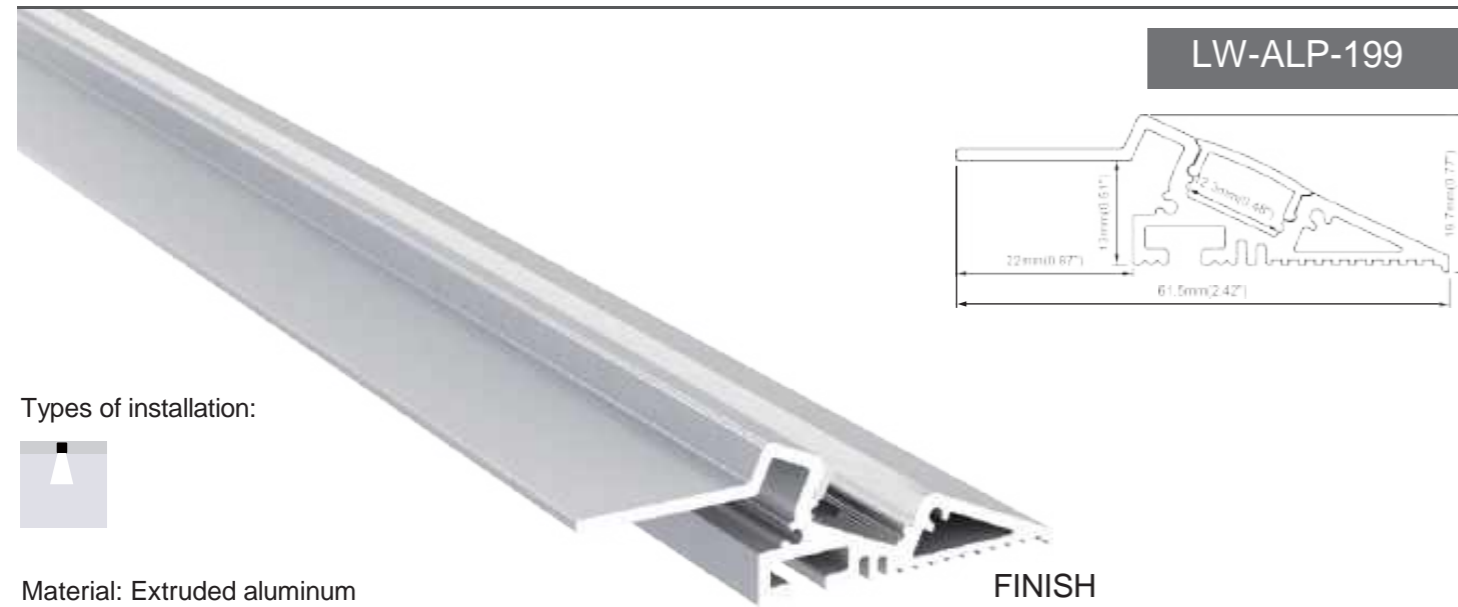


180° Connector



FINISH





LW-ALP-199

Types of installation:



Material: Extruded aluminum
Dimension: 61.5x19.7mm
Length: MAX 5m



FINISH



END CAPS



End cap with hole
End cap without hole

DIFFUSERS



PMMA opal matte cover
PMMA semi-clear cover
PMMA clear cover
PC diffused cover

ACCESSORIES



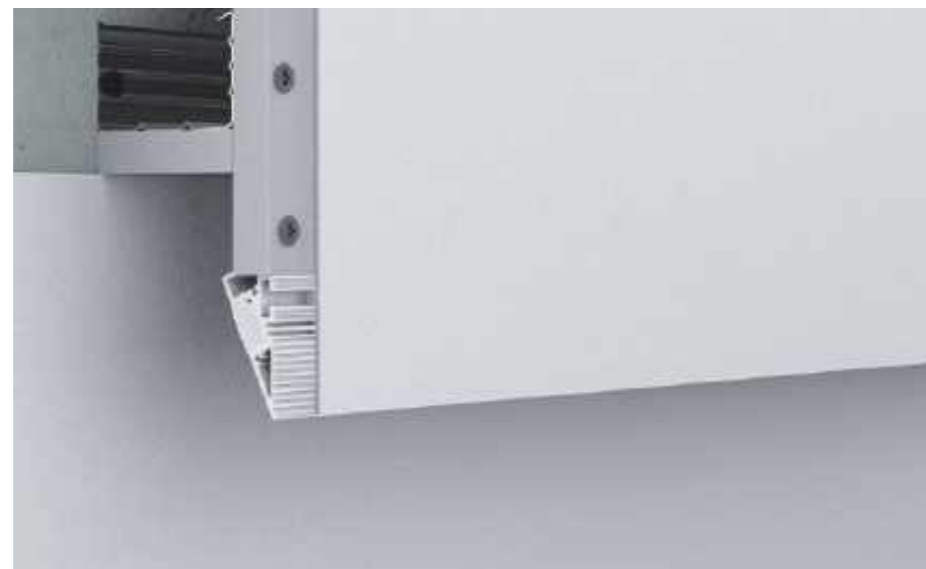
90° Inside Connector



90° Outside Connector



180° Connector



LW-ALP-200

Types of installation:



Material: Extruded aluminum
Dimension: 67.7x30.3mm
Length: MAX 5m



FINISH



END CAPS

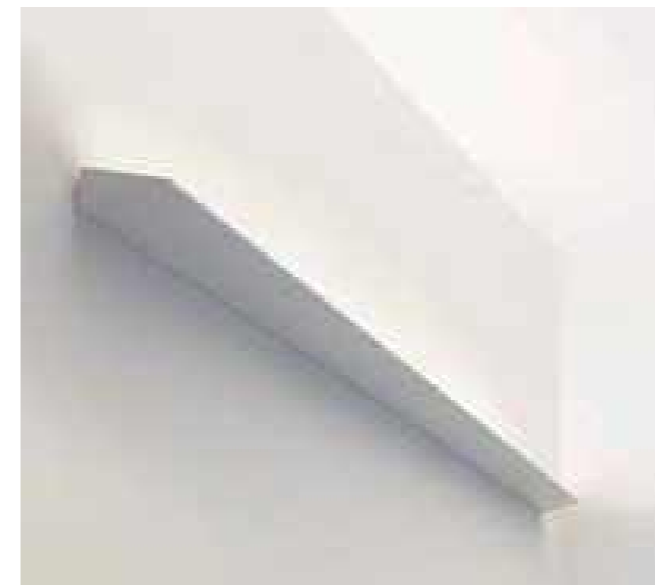
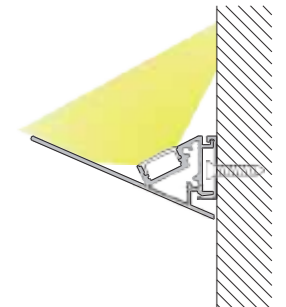


End caps

DIFFUSERS

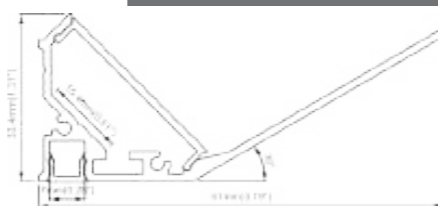


PMMA opal matte cover
PMMA semi-clear cover
PMMA clear cover
PC diffused cover





LW-ALP-201



Types of installation:



Material: Extruded aluminum
Dimension: 81x33.4mm
Length: MAX 5m



FINISH



END CAPS



End caps

DIFFUSERS



PC diffused cover



PC diffused cover

ACCESSORIES



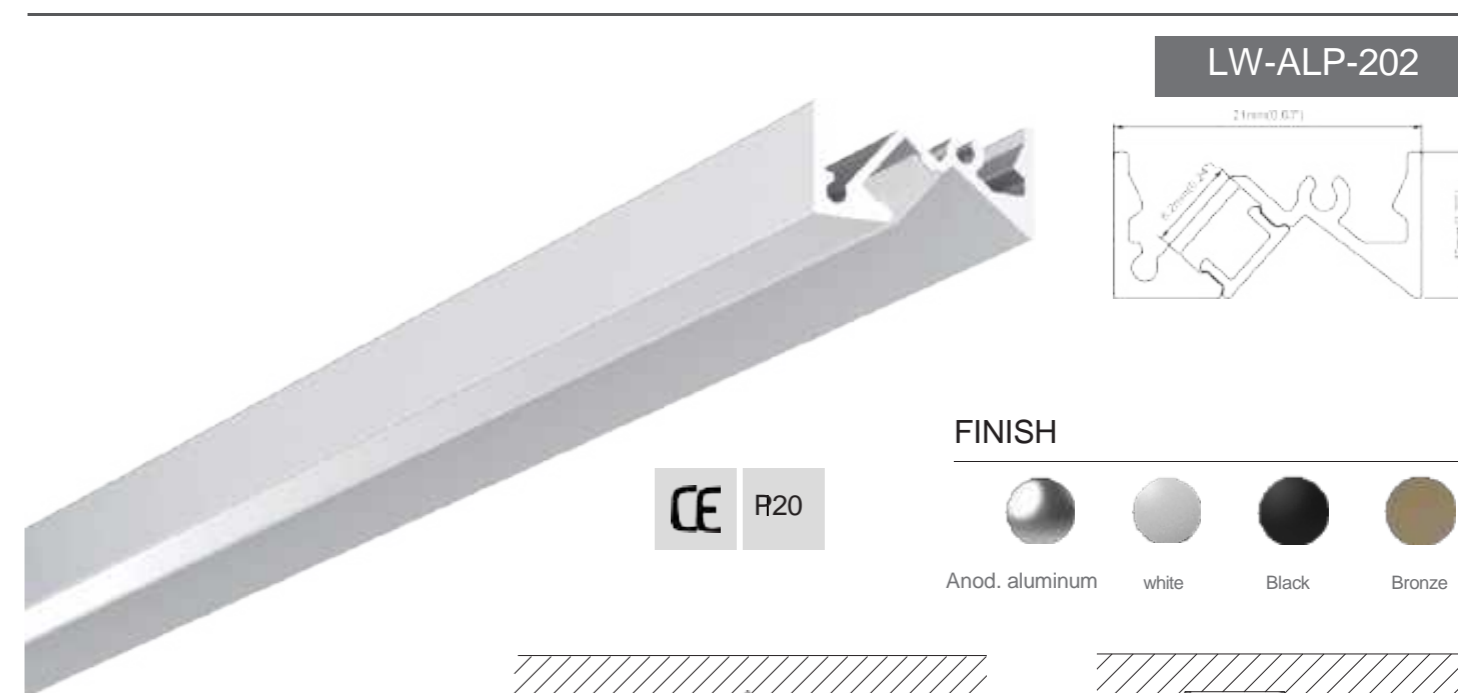
90° Horizontal connector



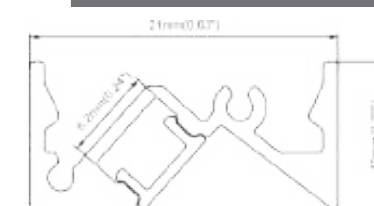
90° Vertical connector



180° Connector



LW-ALP-202



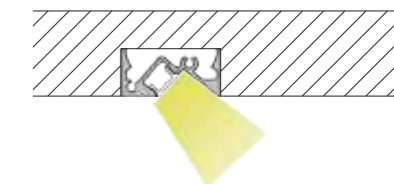
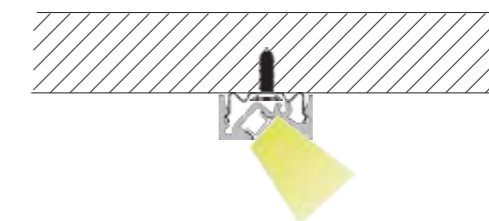
FINISH



Types of installation:



Material: Extruded aluminum
Dimension: 21x10mm
Length: MAX 5m



END CAPS



End caps

DIFFUSERS



PC frosted cover

ACCESSORIES



Mounting clip (metal)





LW-ALP-203



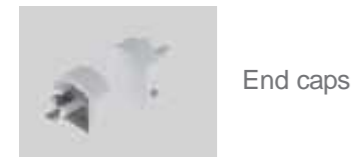
Types of installation:



Material: Extruded aluminum
Dimension: 12x12mm
Length: MAX 5m

CE **R20**

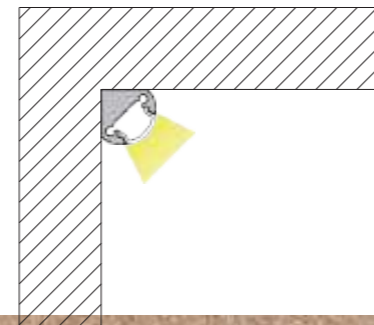
END CAPS



ACCESSORIES



FINISH




LW-ALP-204



Types of installation:

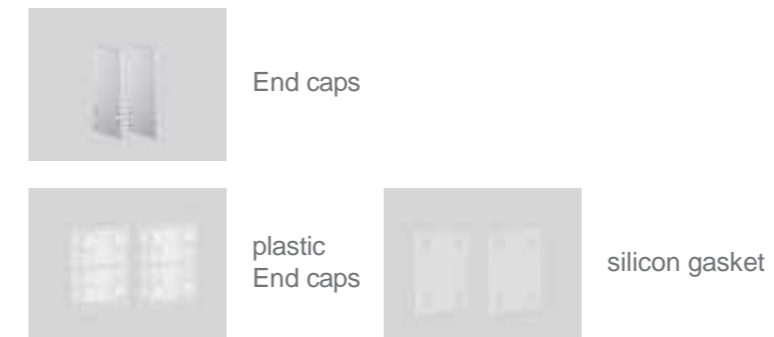


Material: Extruded aluminum
Dimension: 69.3x68mm
Length: MAX 5m

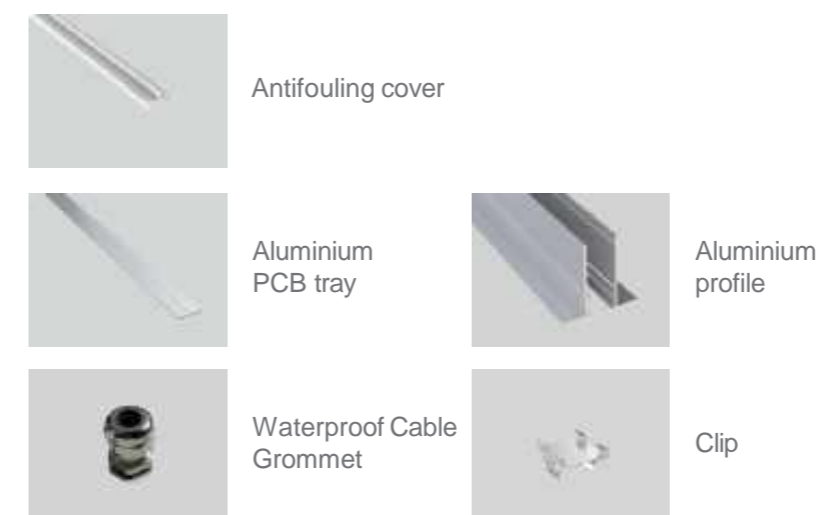
CE **R67** **K10** **UV Resistant**

FINISH
Anod. aluminum


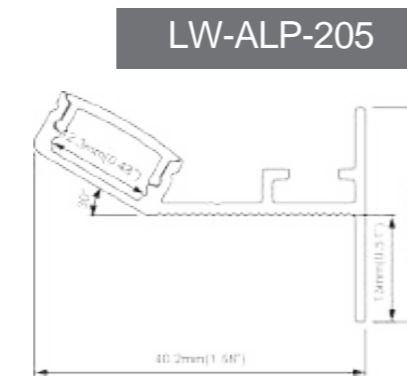
END CAPS



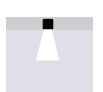
ACCESSORIES



LW-ALP-205





Types of installation:



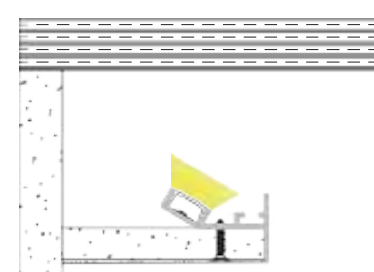
Material: Extruded aluminum
Dimension: 40.25x26mm
Length: MAX 5m
Compatible with 12.5mm drywall

FINISH



Anod. aluminum white Black Golden

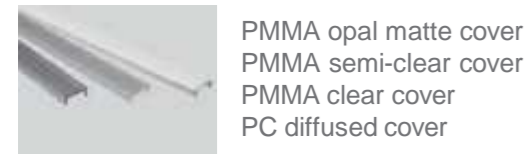
CE **R20**



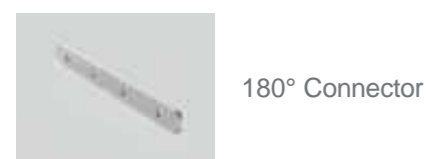
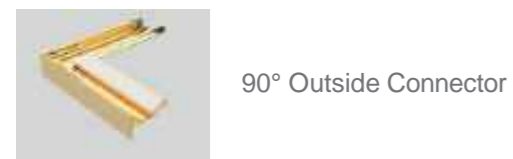
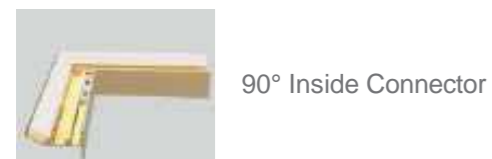
END CAPS



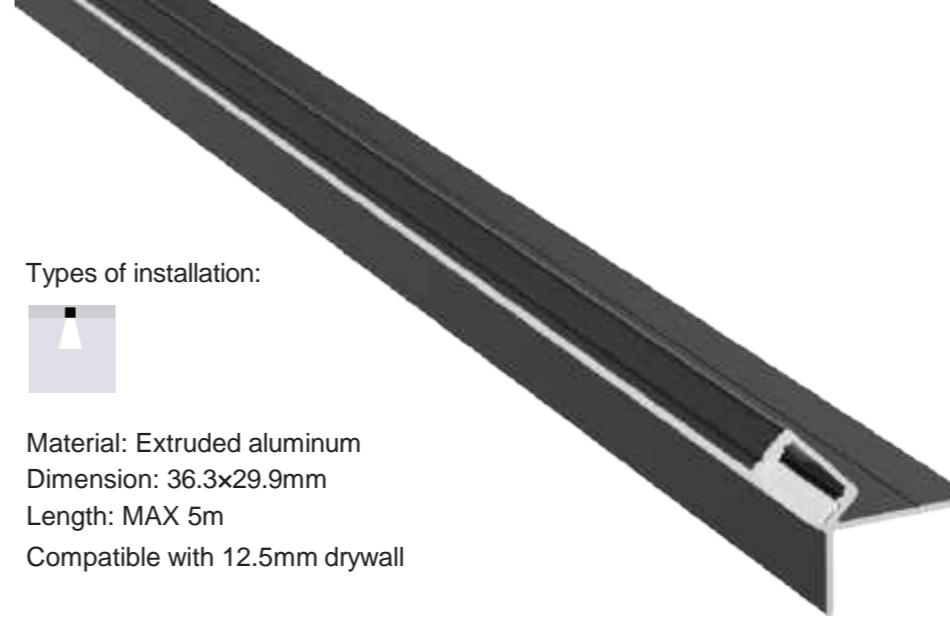
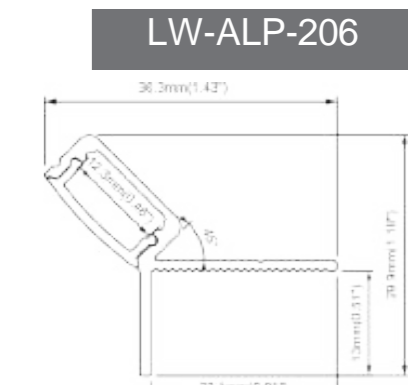
DIFFUSERS




ACCESSORIES



LW-ALP-206

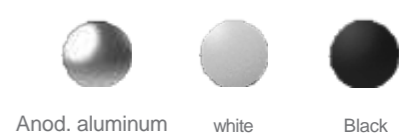



Types of installation:



Material: Extruded aluminum
Dimension: 36.3x29.9mm
Length: MAX 5m
Compatible with 12.5mm drywall


FINISH



Anod. aluminum white Black


CE **R20**

END CAPS

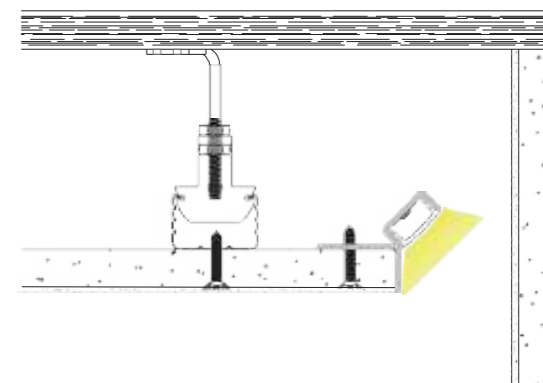
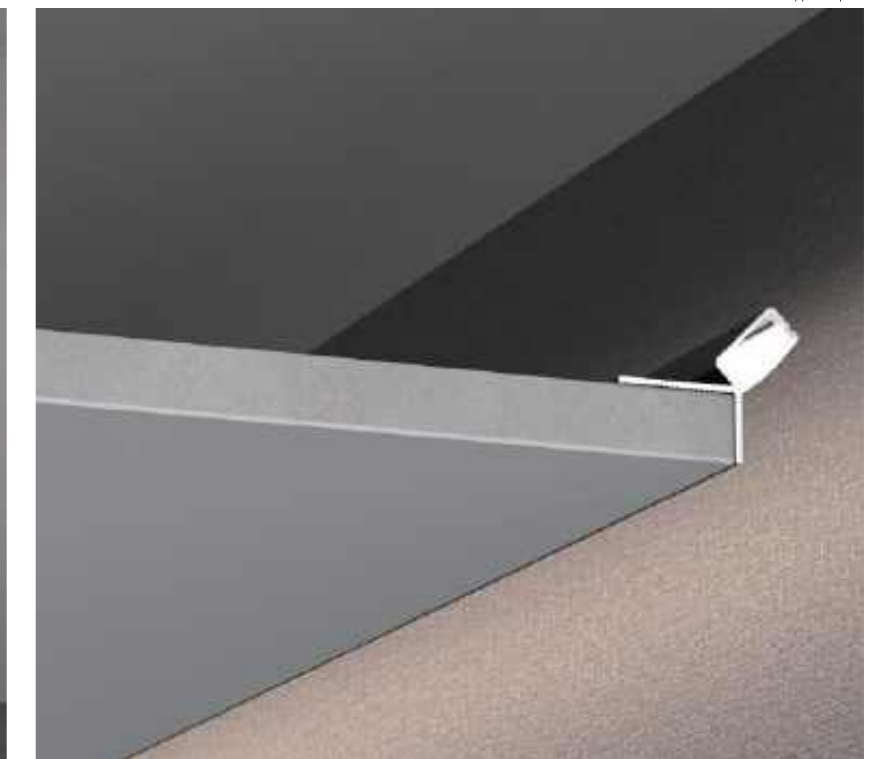


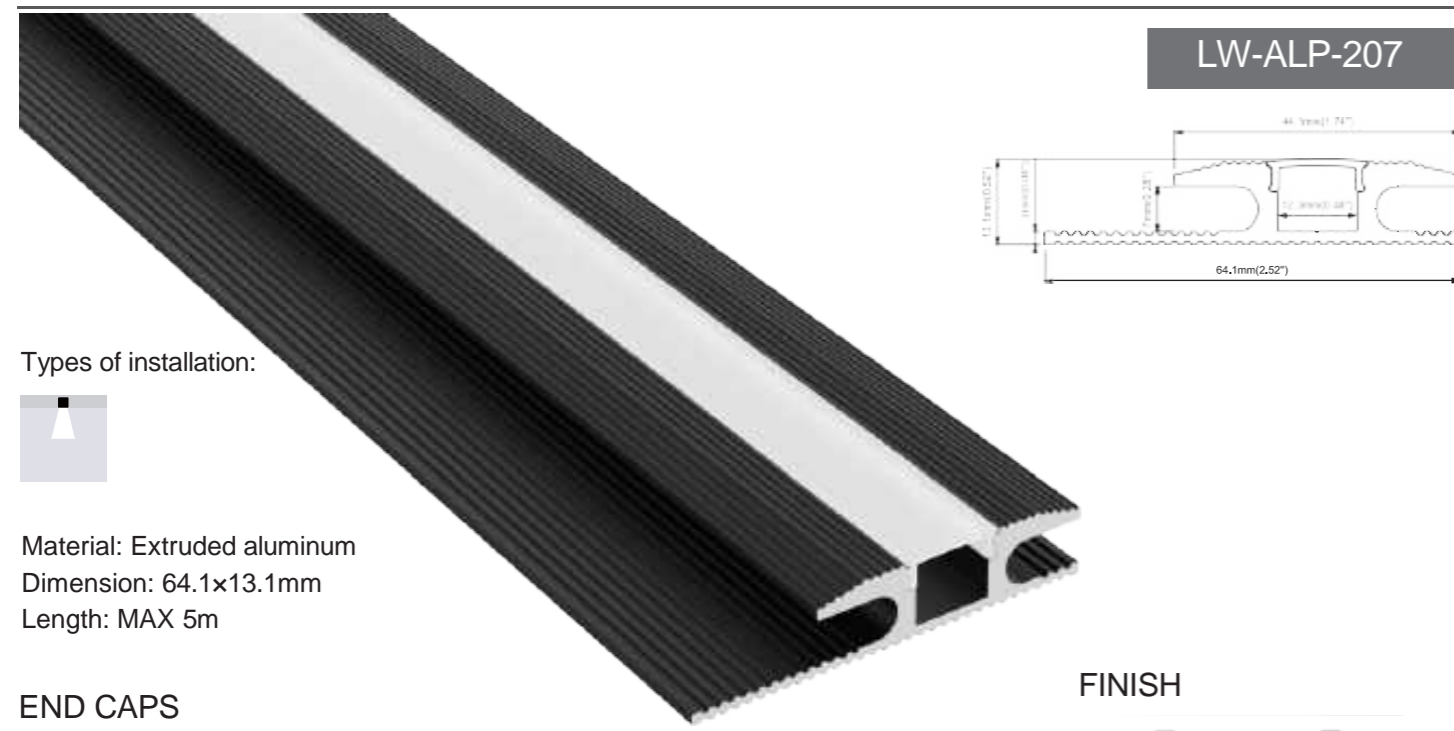
End cap with hole
End cap without hole

DIFFUSERS



PMMA opal matte cover
PMMA semi-clear cover
PMMA clear cover
PC diffused cover



Types of installation:



Material: Extruded aluminum
Dimension: 64.1x13.1mm
Length: MAX 5m

END CAPS



End cap with hole
End cap without hole



FINISH



Anod. aluminum Black

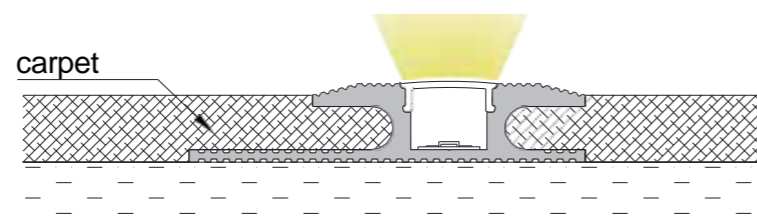
DIFFUSERS



PC frosted cover



Black PC frosted cover



Types of installation:



Material: Extruded aluminum
Dimension: 44.1x11.2mm
Length: MAX 5m

END CAPS



End cap with hole
End cap without hole



FINISH



Anod. aluminum Black

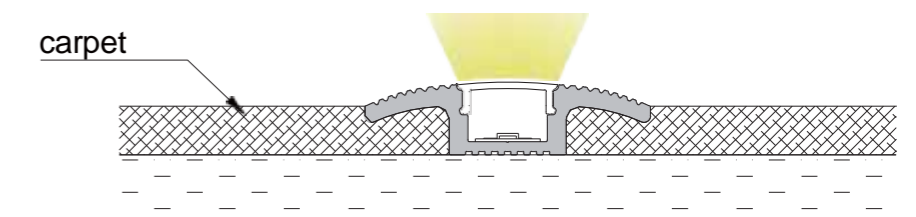
DIFFUSERS



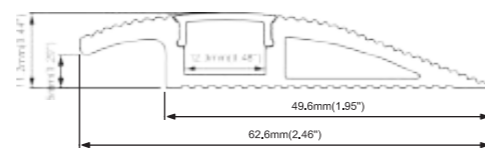
PC frosted cover



Black PC frosted cover



LW-ALP-209



Types of installation:



Material: Extruded aluminum
Dimension: 62.1x11.2mm
Length: MAX 5m

END CAPS



End cap with hole
End cap without hole



FINISH



Anod. aluminum Black

DIFFUSERS

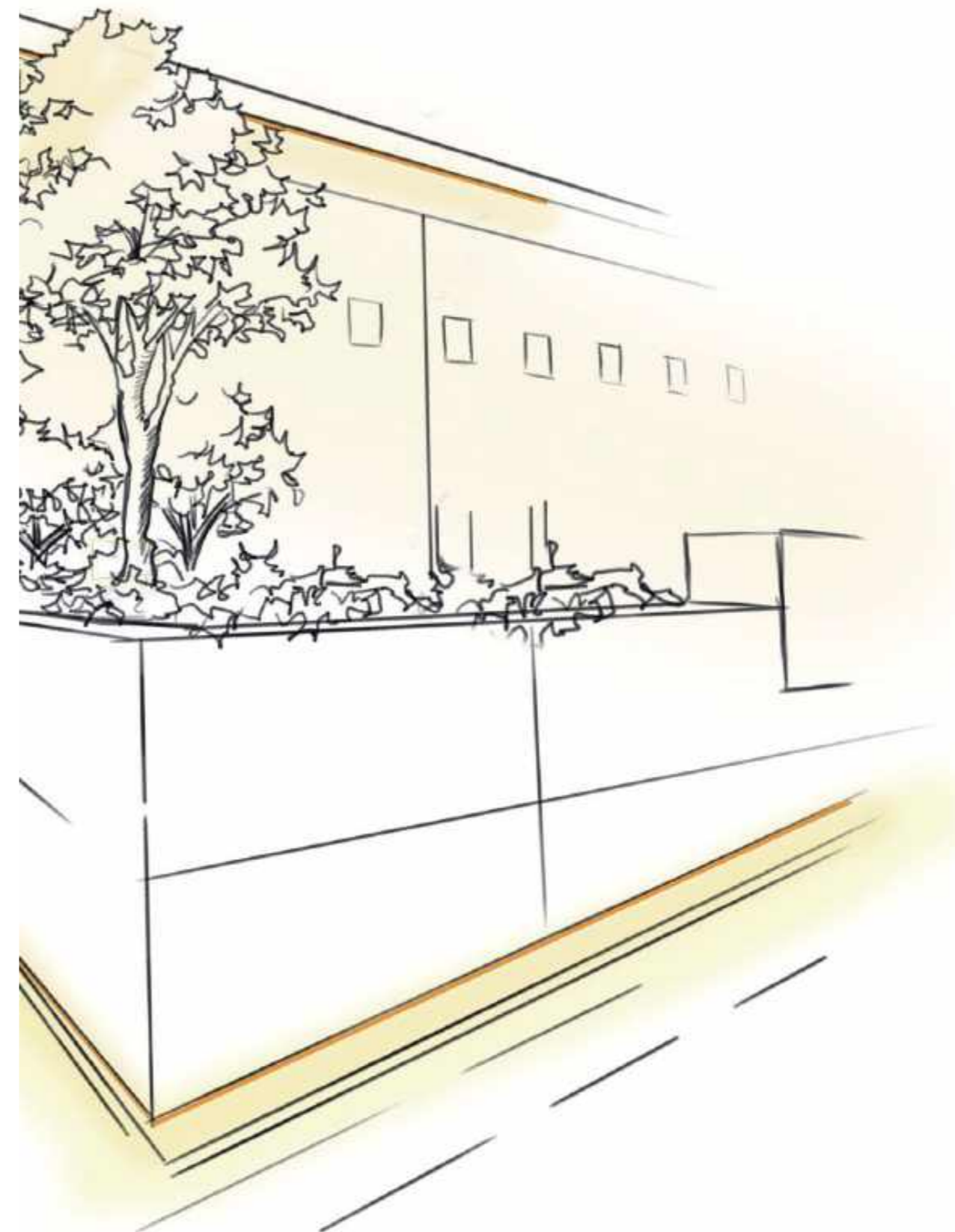
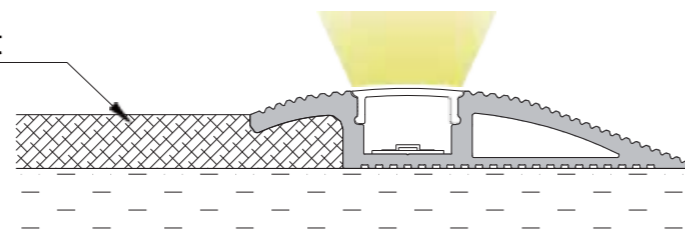


PC frosted cover



Black PC frosted cover

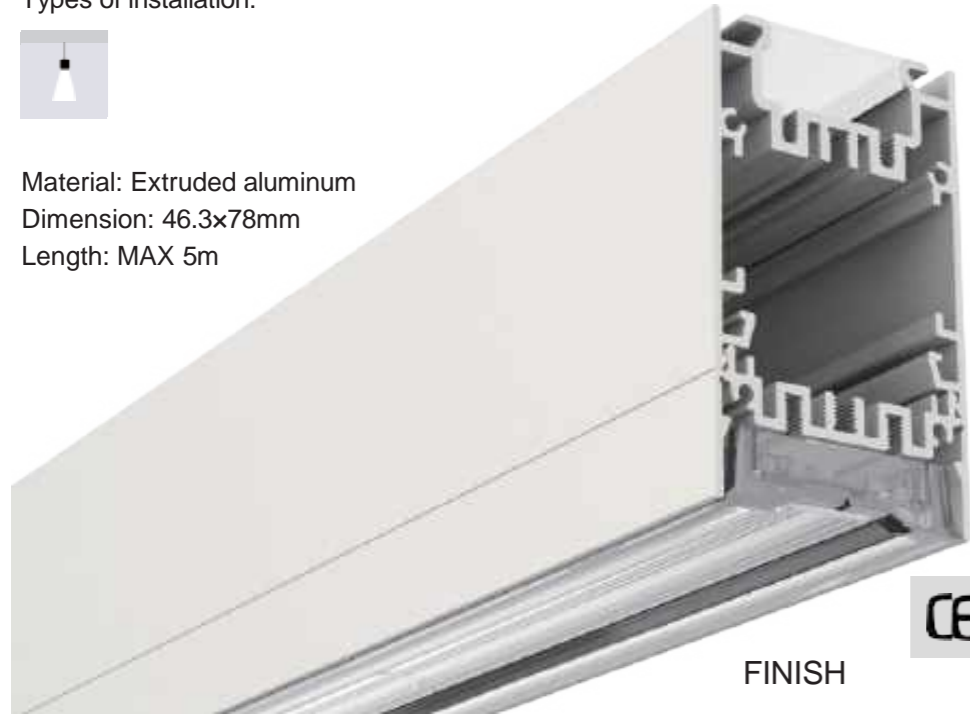
carpet



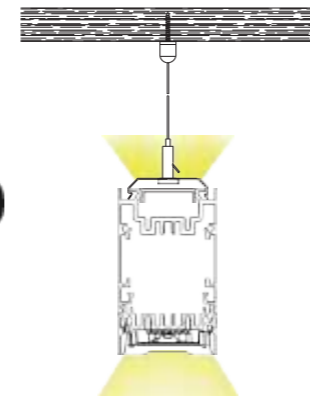
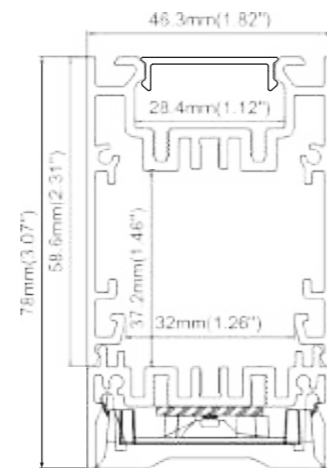
Types of installation:



Material: Extruded aluminum
Dimension: 46.3x78mm
Length: MAX 5m



LW-ALP-4678



FINISH



END CAPS



End caps

DIFFUSERS



Linear Optics
VS LIGHTING SOLUTIONS



PC frosted cover

ACCESSORIES



Blind cover



Mounting clip (metal)



Connector X



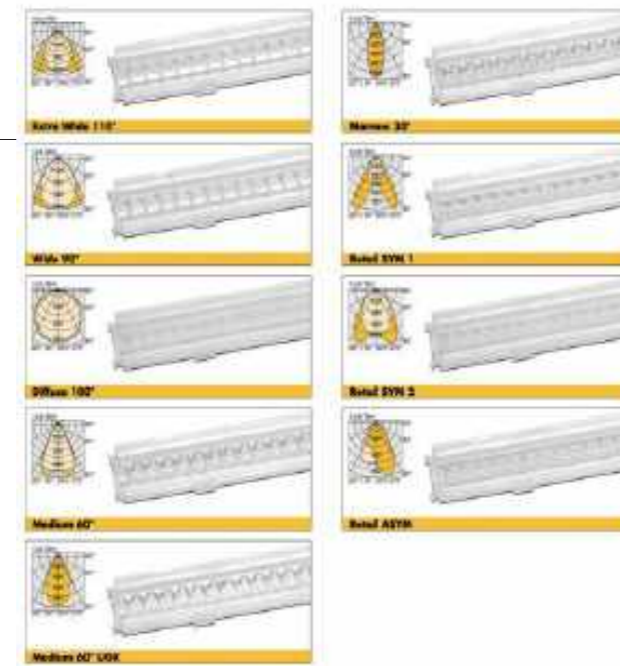
Connector L



Connector T



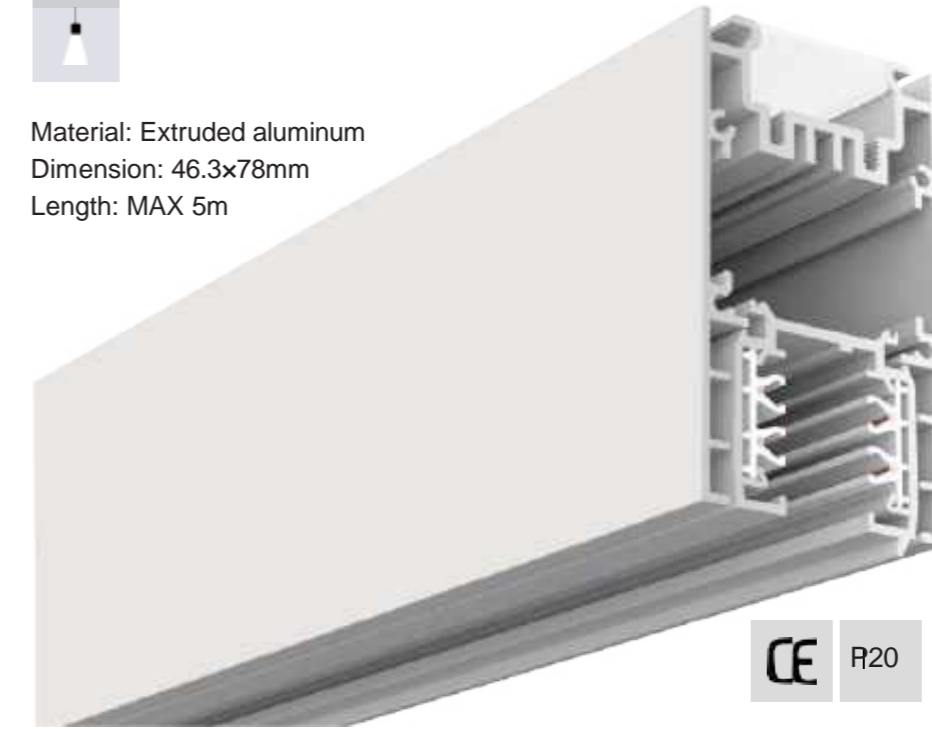
LED module



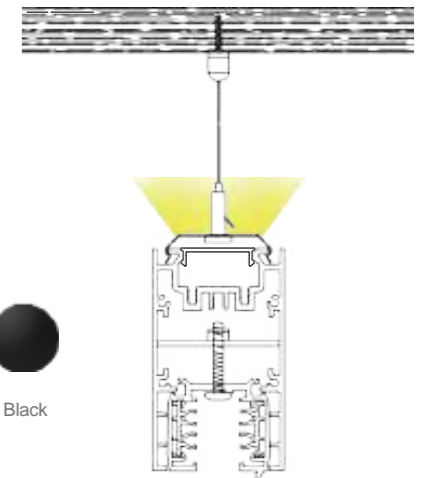
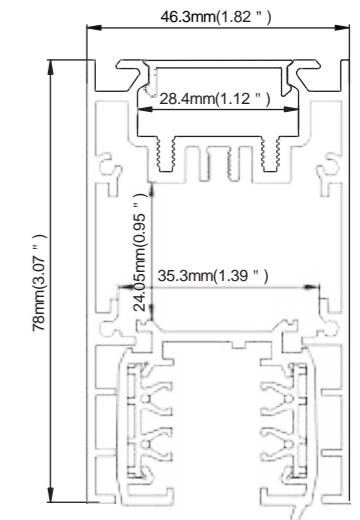
Types of installation:



Material: Extruded aluminum
Dimension: 46.3x78mm
Length: MAX 5m



LW-ALP-4678-TK



FINISH



END CAPS



End caps

DIFFUSERS



PC frosted cover

ACCESSORIES



Mounting clip (metal)



Safety wire



Connector X



TRACK



Steel wire



Connector T



Spot lighting (15° 24° 36°)



Clip



Connector L

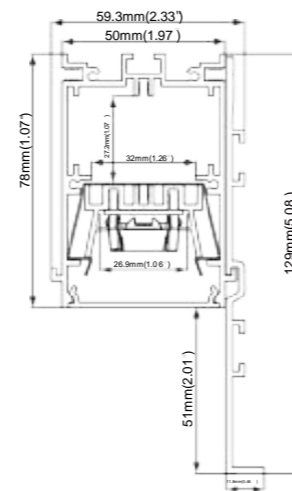
Types of installation:



Material: Extruded aluminum
Dimension: 59.8x78mm
Length: MAX 5m



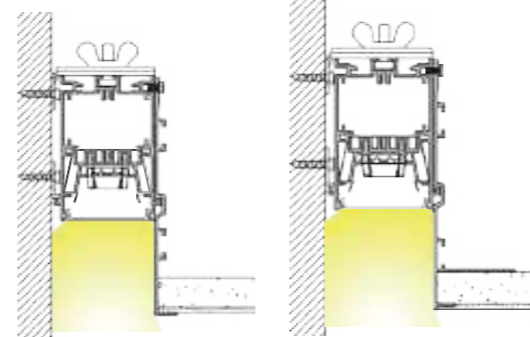
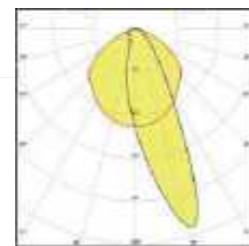
LW-ALP-5078



FINISH



Anod. aluminum white Black



END CAPS



End caps

DIFFUSERS



PC clear cover



Linear Optics
LEDiL

ACCESSORIES



Clip



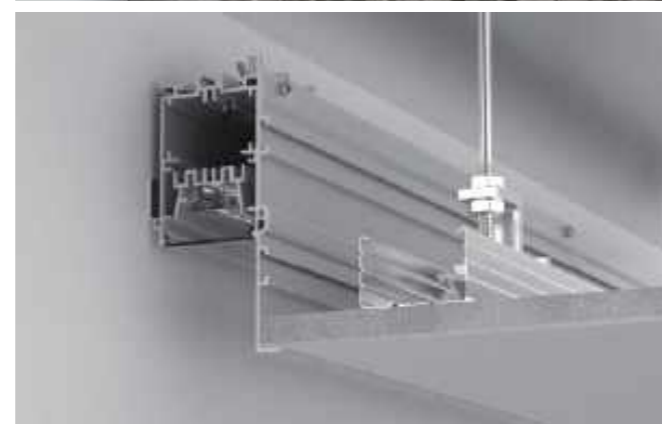
Safety wire



Recessed Trim



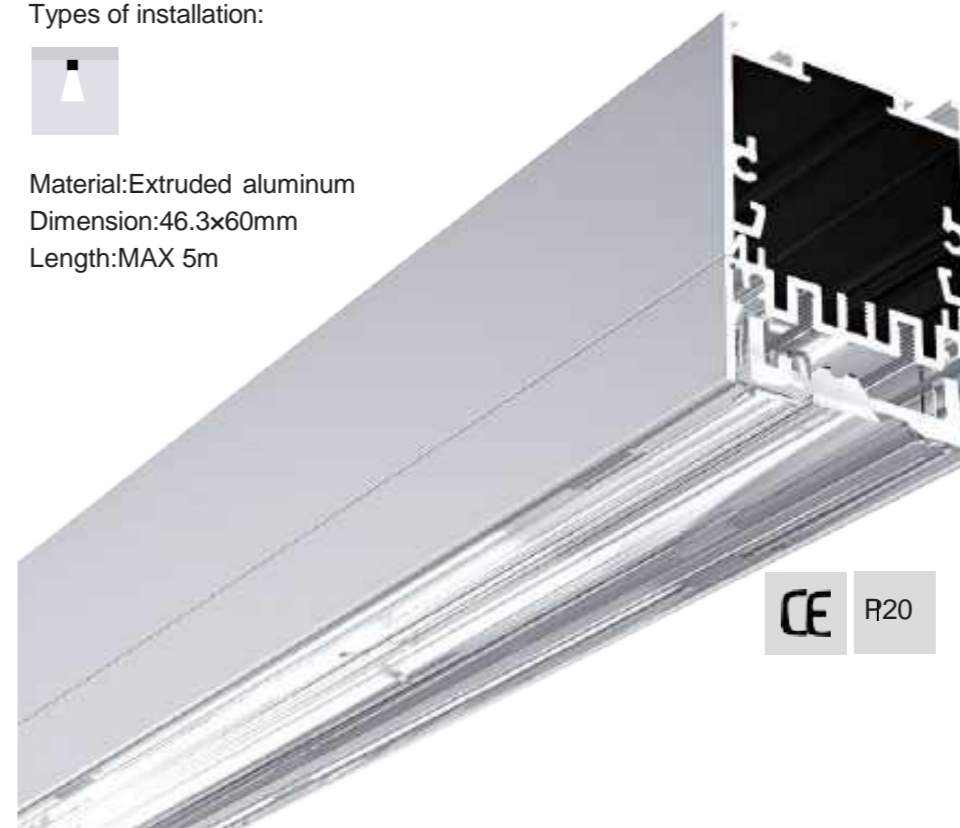
Recessed Trimless



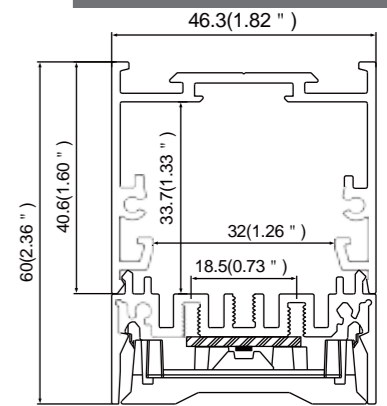
Types of installation:



Material: Extruded aluminum
Dimension: 46.3x60mm
Length: MAX 5m



LW-ALP-4660



FINISH



Anod. aluminum white Black

END CAPS



End Caps

ACCESSORIES



VS lens



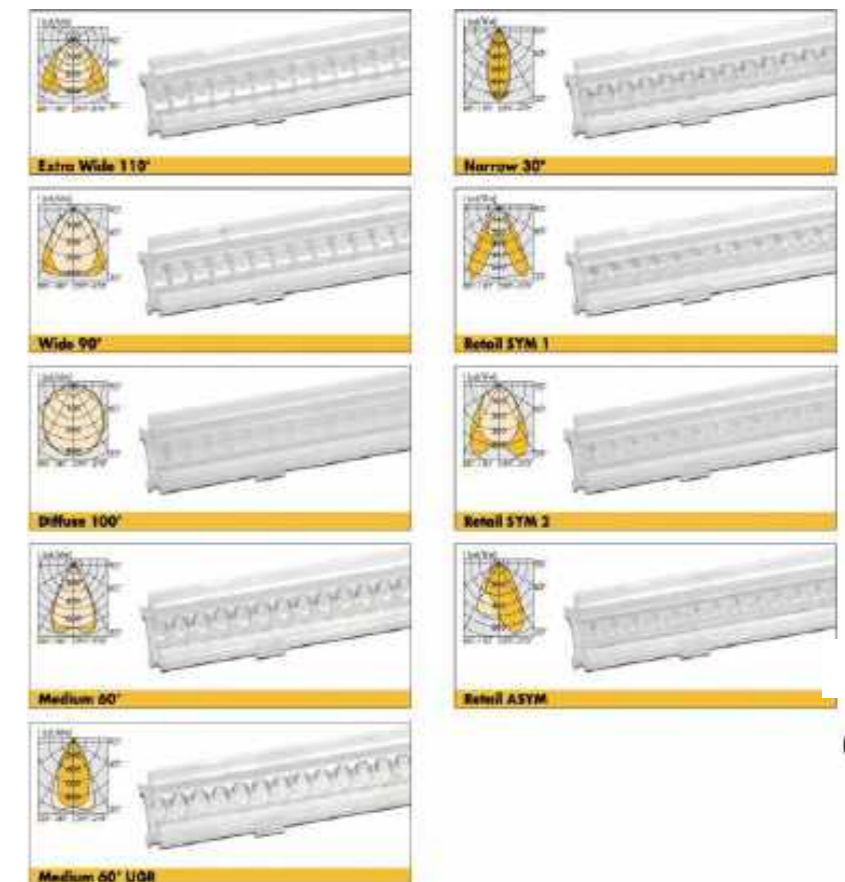
Connector L



Connector T




Connector I

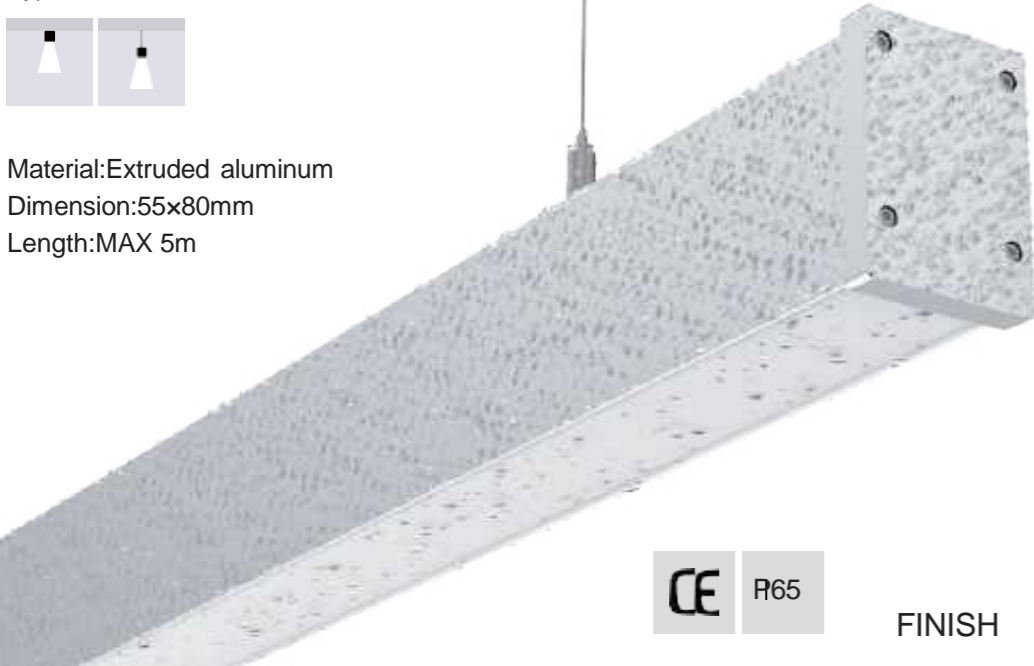
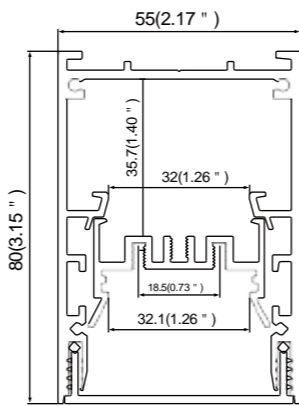


LW-ALP-5580

Types of installation:




Material: Extruded aluminum
Dimension: 55x80mm
Length: MAX 5m

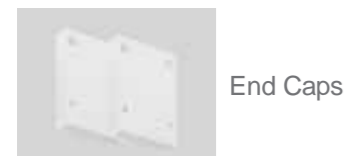
CE R65

FINISH

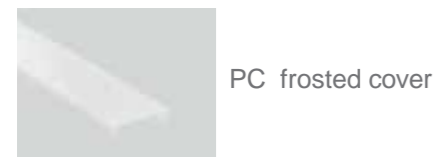


Anod. aluminum white Black

END CAPS



DIFFUSERS




ACCESSORIES

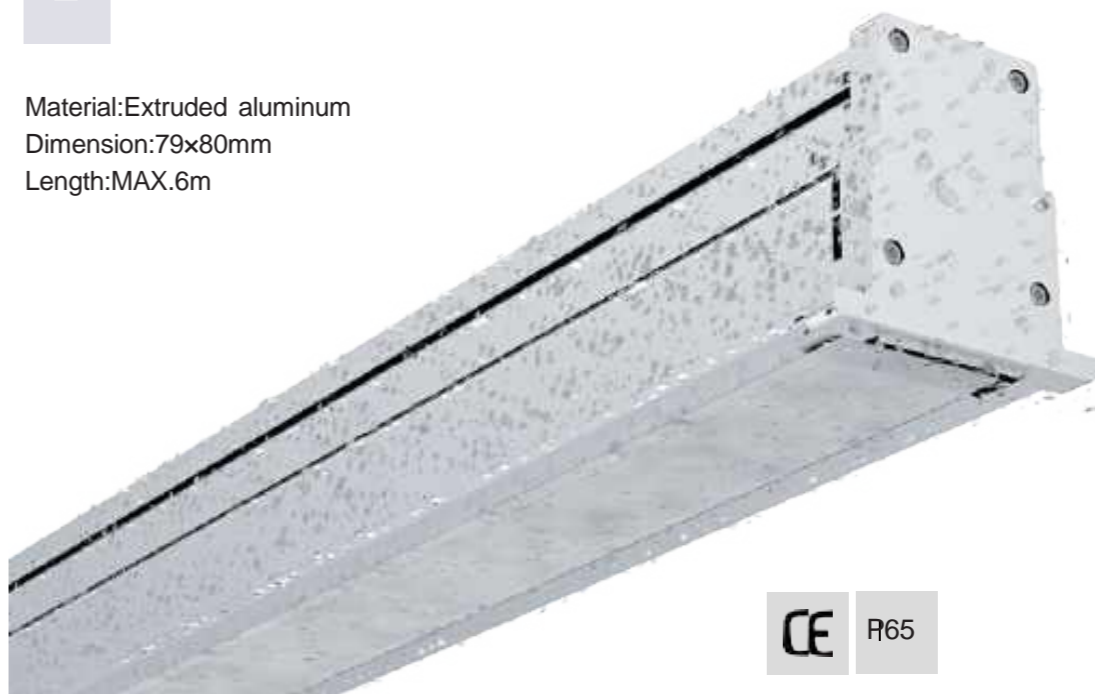
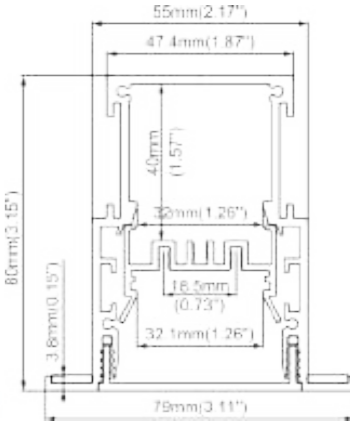


LW-ALP-5580-T

Types of installation:




Material: Extruded aluminum
Dimension: 79x80mm
Length: MAX.6m

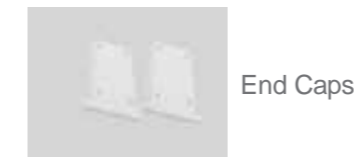
CE R65

FINISH

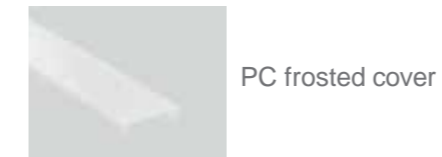


Anod. aluminum white Black

END CAPS

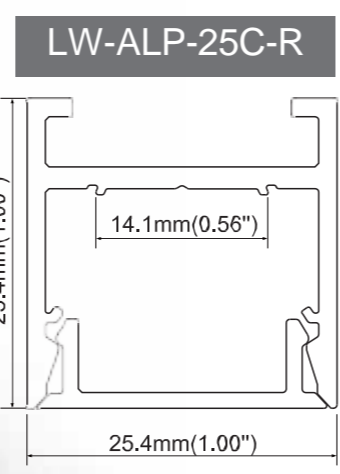


DIFFUSERS



ACCESSORIES





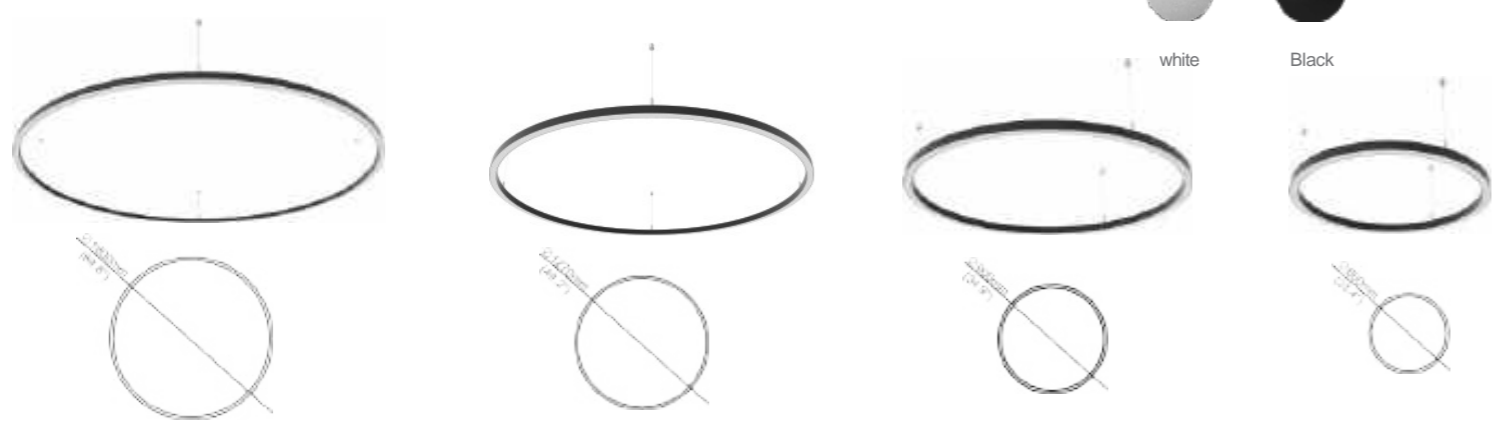
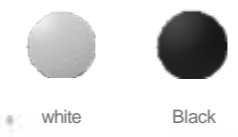
Types of installation:



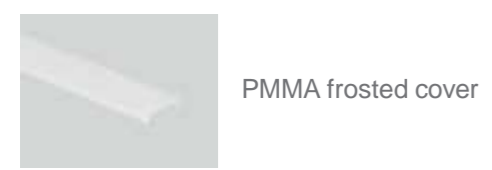
Material: Extruded aluminum
Dimension: 25.4x25.4mm



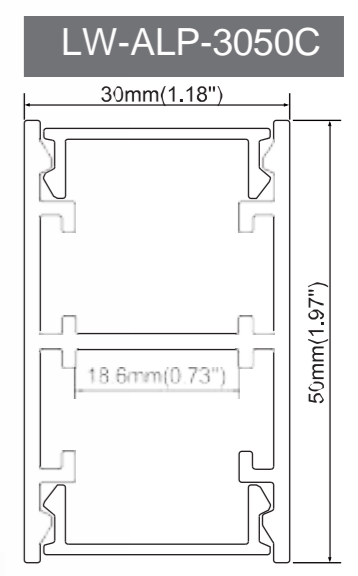
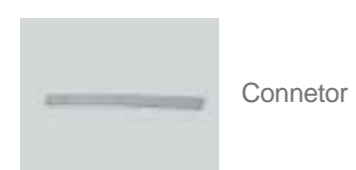
FINISH



DIFFUSERS



ACCESSORIES



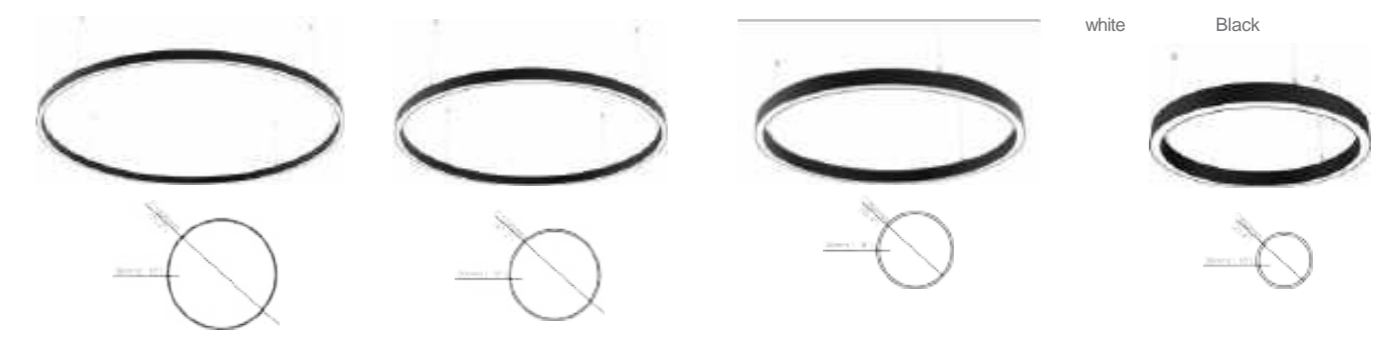
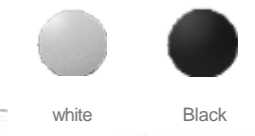
Types of installation:



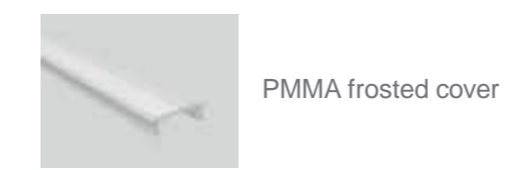
Material: Extruded aluminum
Dimension: 30x50mm



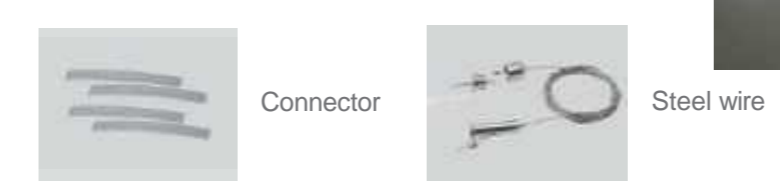
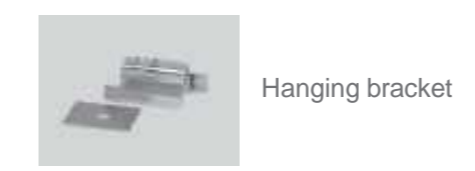
FINISH



DIFFUSERS



ACCESSORIES



LW-ALP-30C



Types of installation:



Material: Extruded aluminum
Dimension: 12x30mm

FINISH

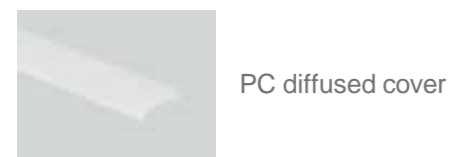


Black

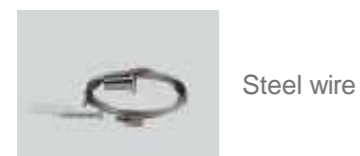


CE R20

DIFFUSERS



ACCESSORIES



LW-ALP-30C0



Types of installation:



Material: Extruded aluminum
Dimension: 12x30mm

FINISH

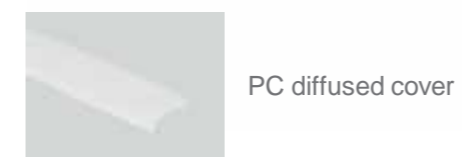


Black

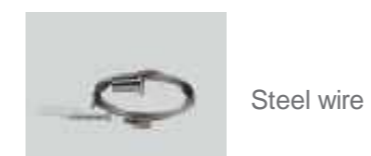


CE R20

DIFFUSERS



ACCESSORIES



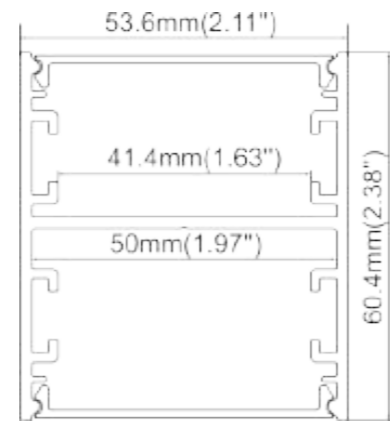
Types of installation:



Material: Extruded aluminum
Dimension: 53.6x60.4mm
Length: MAX 6m



LW-ALP-50C



FINISH



white



Black



DIFFUSERS



PMMA frosted cover

ACCESSORIES



Hanging bracket



Connector

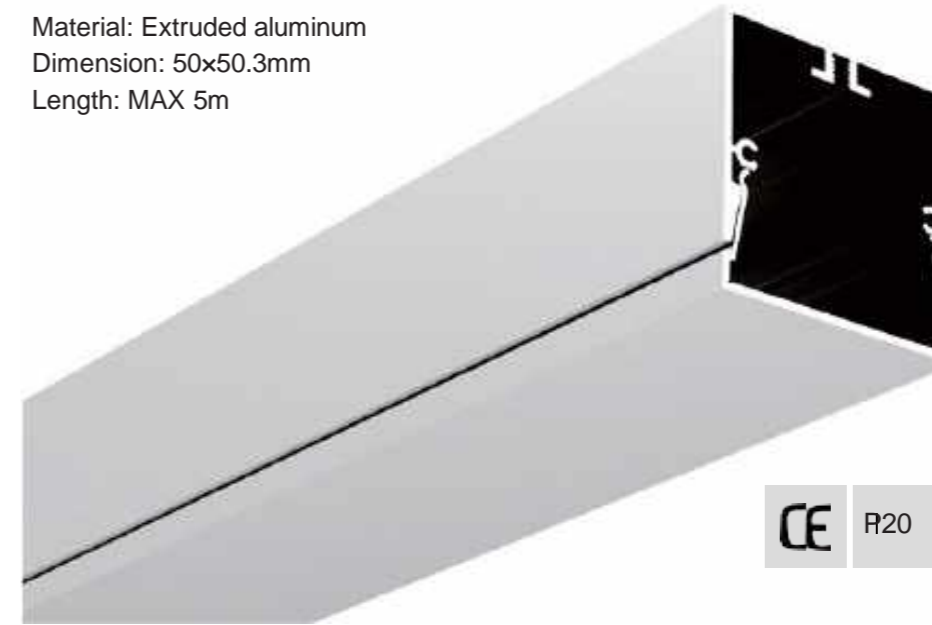


Steel wire

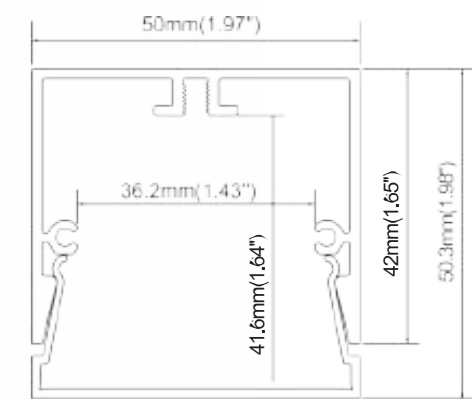
Types of installation:



Material: Extruded aluminum
Dimension: 50x50.3mm
Length: MAX 5m



LW-HD-5050



FINISH



Anod. aluminum



white



Black

END CAPS



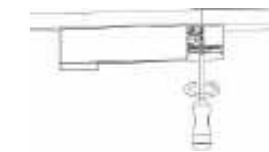
End Caps



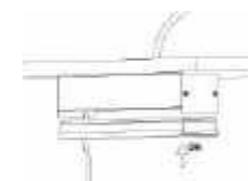
Step 01



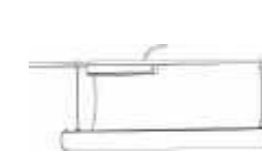
Step 02



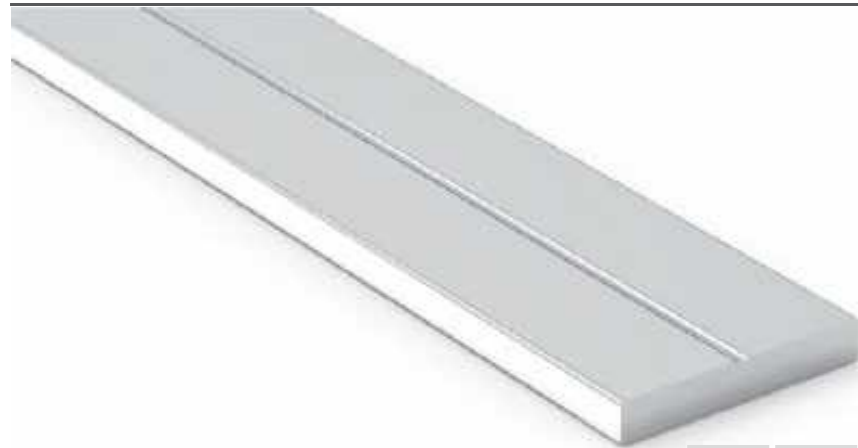
Step 03



Step 04

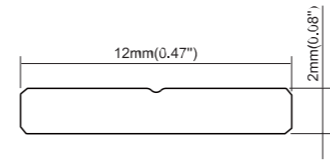


Step 05



CE R20

LW-ALP-1202



Aluminum board for heat dissipation
12x2mm
about 14W/M

FINISH

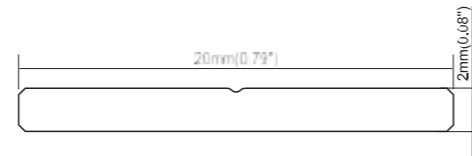


Anod. aluminum



CE R20

LW-ALP-2002



Aluminum board for heat dissipation
20x2mm
about 20W/M

FINISH

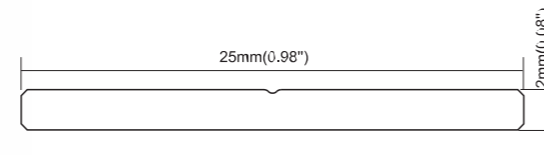


Anod. aluminum



CE R20

LW-ALP2-502



Aluminum board for heat dissipation
25x2mm
about 30W/M

FINISH

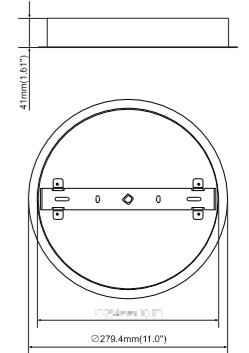


Anod. aluminum



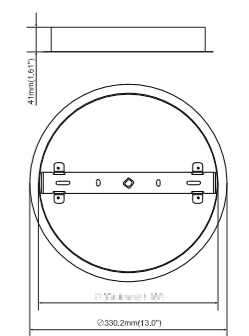
LW-RDB-01

Round driver box for circles



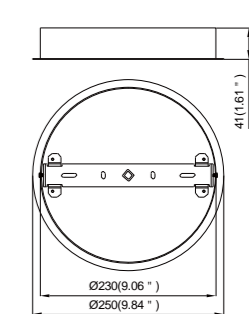
LW-RDB-02

Round driver box for circles

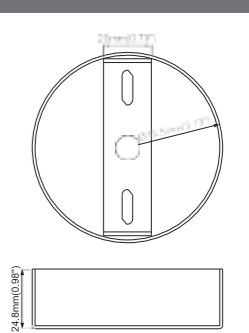


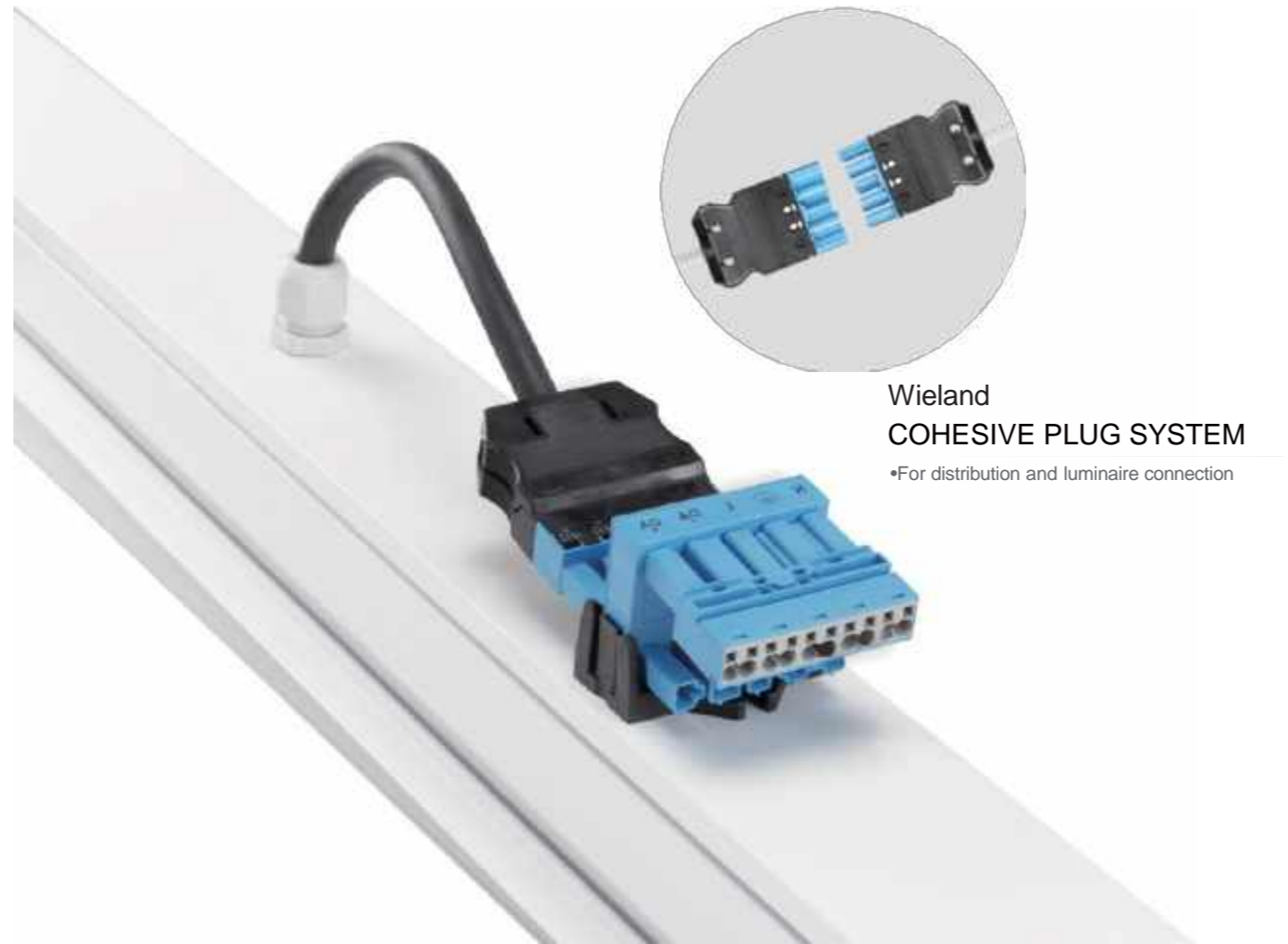
LW-RDB-03

Round driver box for circles



LW-RDB-04





**Wieland
COHESIVE PLUG SYSTEM**
•For distribution and luminaire connection

APPLICATIONS

The electrical connection of luminaires usually calls for the time-consuming method of opening the luminaire, dismantling and stripping the power supply and control cable, and, if applicable, inserting the illuminants on site. With pluggable pre-assembled luminaires, the effort required for on-site assembly can be reduced quite considerably.

SOLUTIONS

- Industrially pre-assembled components.
- Easy to plug together on site.
- For mains application (3-pole) and DALI application (5-pole).
- Flexibility to the point in time of luminaire assembly: conventional connection or pluggable

ADVANTAGES

- Fast, easy, and safe installation.
- Standardized interfaces for fast replacement.
- High functional reliability through prevention of mismatching.
- Simple adjustment of the installation to local conditions

Constant Current Driver-Osram

				
Voltage input	220-240VAC	220-240VAC	220-240VAC	220-240VAC
Voltage output	23-51VDC	23-51VDC	23-54VDC	23-54VDC
Current output	200mA/250mA/300mA/350mA	500mA/600mA/700mA/800mA	900mA/1050mA/1100mA/1200mA	1300mA/1400mA/1500mA/1600mA
Power Max	17.8W	40.8W	64.8W	75.2W
Efficacy	84%	85%	87%	87%
PF	0.98	0.98	0.98	0.98
Size	210x30x21	210x30x21	210x30x21	210x30x21

Constant Current Driver-Philips

				
Part Number	Xtitanium 36W/0.3-1A, 54V, 230V	Xtitanium 75W/0.7-2A, 54V, 230V	Xtitanium 36W 0.3-1A, 54V TD 230V	Xtitanium 75W 0.7-2A, 54V TD 230V
Size (mm)	360x30x21	360x30x21	360x30x21	360x30x21
Input Voltage(V)	202-254V	202-254V	202-254V	202-254V
Power Factor	≥0.9	≥0.9	≥0.9	≥0.9
Output Current(mA)	300-1000	700-2000	300-1000	700-2000
Output Voltage(V)	27-54V	27-54V	27-54V	27-54V
Output Power Range(W)	11-37	21-75	11-37	21-75
Maximum Power(W)	36	75	36	75

LED Module For LW-ALP-25C Series

	For ALP25C-600	For ALP25C-900	For ALP25C-1270	For ALP25C-1800
Connection type	1/4 circle joining together	1/8 circle joining together	1/8 circle joining together	1/8 circle joining together
Power(W)	7.2W	5.4W	7.2W	10.8W
Input Voltage(V)	36V	36V	36V	36V
Input Current(mA)	200mA	150mA	200mA	300mA
Light Output	1008lm	756lm	1008lm	1512lm
Color Temperature	2700k/3000k/4000k/5700k	2700k/3000k/4000k/5700k	2700k/3000k/4000k/5700k	2700k/3000k/4000k/5700k
CRI	80+/90+	80+/90+	80+/90+	80+/90+
LED Type	2835 SMD LED	2835 SMD LED	2835 SMD LED	2835 SMD LED
LED Brand	Samsung/Osram	Samsung/Osram	Samsung/Osram	Samsung/Osram

LED Module For LW-ALP-3050C Series

	For ALP3050C-600	For ALP3050C-900	For ALP3050C-1200	For ALP3050C-1800
Connection type	1/4 circle joining together	1/8 circle joining together	1/8 circle joining together	1/8 circle joining together
Power(W)	7.2W	5.4W	7.2W	10.8W
Input Voltage(V)	36V	36V	36V	36V
Input Current(mA)	200mA	150mA	200mA	300mA
Light Output	1008lm	756lm	1008lm	1512lm
Color Temperature	2700k/3000k/4000k/5700k	2700k/3000k/4000k/5700k	2700k/3000k/4000k/5700k	2700k/3000k/4000k/5700k
CRI	80+/90+	80+/90+	80+/90+	80+/90+
LED Type	2835 SMD LED	2835 SMD LED	2835 SMD LED	2835 SMD LED
LED Brand	Samsung/Osram	Samsung/Osram	Samsung/Osram	Samsung/Osram



LED Module For LW-ALP-50C Series

	For ALP50C-900	For ALP50C-1270	For ALP50C-1800
Connection type	1/8 circle joining together	1/8 circle joining together	1/8 circle joining together
Power(W)	5.4W	8.1W	10.8W
Input Voltage(V)	36V	36V	36V
Input Current(mA)	150mA	225mA	300mA
Light Output	756lm	1134lm	1512lm
Color Temperature	2700k/3000k/4000k/5700k	2700k/3000k/4000k/5700k	2700k/3000k/4000k/5700k
CRI	80+/90+	80+/90+	80+/90+
LED Type	2835 SMD LED	2835 SMD LED	2835 SMD LED
LED Brand	Samsung/Osram	Samsung/Osram	Samsung/Osram



	LM2835R10012P30	LM2835R9952P30	LM5630R11852P40
Size(mm)	1000x12x5	995x24x6	1185x24x6
Power(W)	30W	30W	40W
Input Voltage(V)	30V	30V	27V
Input Current(mA)	1.0A	1.0A	1.5A
Light Output	4200lm	4200lm	5600lm
Color Temperature	2700k/3000k/4000k/5700k	2700k/3000k/4000k/5700k	2700k/3000k/4000k/5700k
CRI	80+/90+	80+/90+	80+/90+
LED Type	2835 SMD LED	2835 SMD LED	5630 SMD LED
LED Brand	Samsung/Osram	Samsung/Osram	Samsung/Osram

	For LS30 series	For LS40 series	For LS50 series
	LM3030LS30P6 	LM3030LS40P9 	LM3030LS50P14W 
Size (mm)	132.5X20X6mm	190X30X6	285X31X6mm
Power(W)	6W	9W	14W
Input Voltage(V)	15V	15V	18V
Input Current(mA)	0.4A	0.6A	0.8A
Light Output	660lm	990lm	1260lm
Color Temperature	3000K/4000k	3000K/4000k	3000K/4000k
CRI	80+/90+	80+/90+	80+/90+
LED Type	3030 SMD LED	3030 SMD LED	3030 SMD LED
LED Brand	Osram	Osram	Osram

LED Module: For LW-ALP-4070/LW-ALP-4070-UP

		
Size (mm)	280X30X6	1140X30X6
Power(W)	7.2W	29W
Input Voltage(V)	42V	42V
Input Current(mA)	0.175A	0.7A
Light Output	1000lm	4060lm
Color Temperature	2700k/3000k/4000k/5700k	2700k/3000k/4000k/5700k
CRI	80+/90+	80+/90+
LED Type	2835 SMD LED	2835 SMD LED
LED Brand	Samsung/Osram	Samsung/Osram

LED Module: Rigid Board

	LM2835R56024P14 	LM2835R56051P21 	LM2835R56068P27 
Size	560*24*5mm	560*51.5*5mm	560*88.5*5mm
Power	14W	21W	27W
Light Output	1980lm	2950lm	3900lm
CRI	80+/90+	80+/90+	80+/90+
Color temperature	2700k/3000k/4000k/5700k	2700k/3000k/4000k/5700k	2700k/3000k/4000k/5700k
LED Brand	Samsung/Osram	Samsung/Osram	Samsung/Osram

LED Module: Flexible PCB

	LM2835F500012P14 	LM2835F250024P28 	LM2835F250051P34 
Size	5000*12*1.2mm	2500*24*1.2mm	2500*51.5*1.2mm
Power/meter	14W	28W	34W
Light Output/meter	1190lm	2380lm	2890lm
CRI	80+/90+	80+/90+	80+/90+
Color temperature	2700k/3000k/4000k/5700k	2700k/3000k/4000k/5700k	2700k/3000k/4000k/5700k
Voltage input	DC24V	DC24V	DC24V
Cutting unit	100mm	100mm	100mm
LED Brand	Samsung/Osram	Samsung/Osram	Samsung/Osram

Constant Voltage Driver

				
Input Voltage(V)	220V-240V	220-240V	220-240V	220V-240V
Output Voltage(V)	24V	24V	24V	24V
Output Current(mA)	0-1.25A	0-2.5A	0-3.3A	0-8.3A
Power Max	30W	60W	80W	200W
Efficiency	88%	88%	88%	88%
Power Factor	≥0.95	≥0.95	≥0.95	≥0.95
Size (mm)	210x30x21	280x30x21	280x30x21	360x37x30