



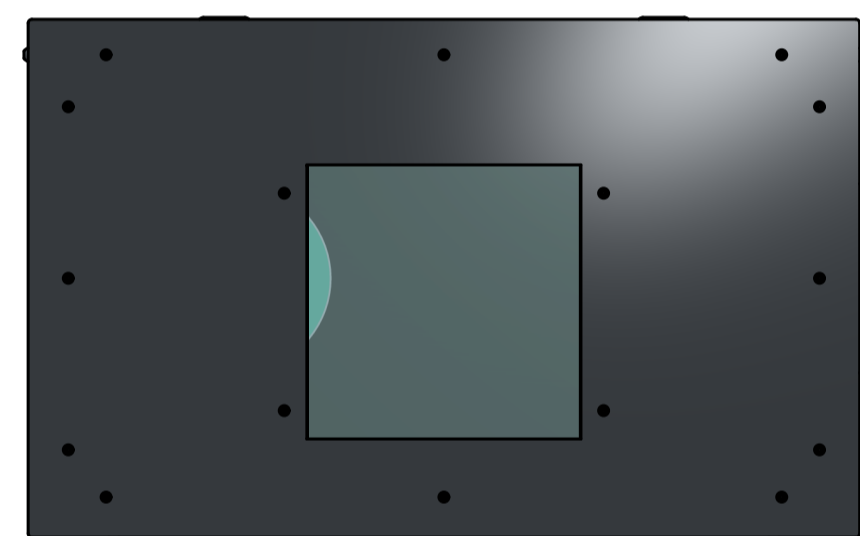
Top



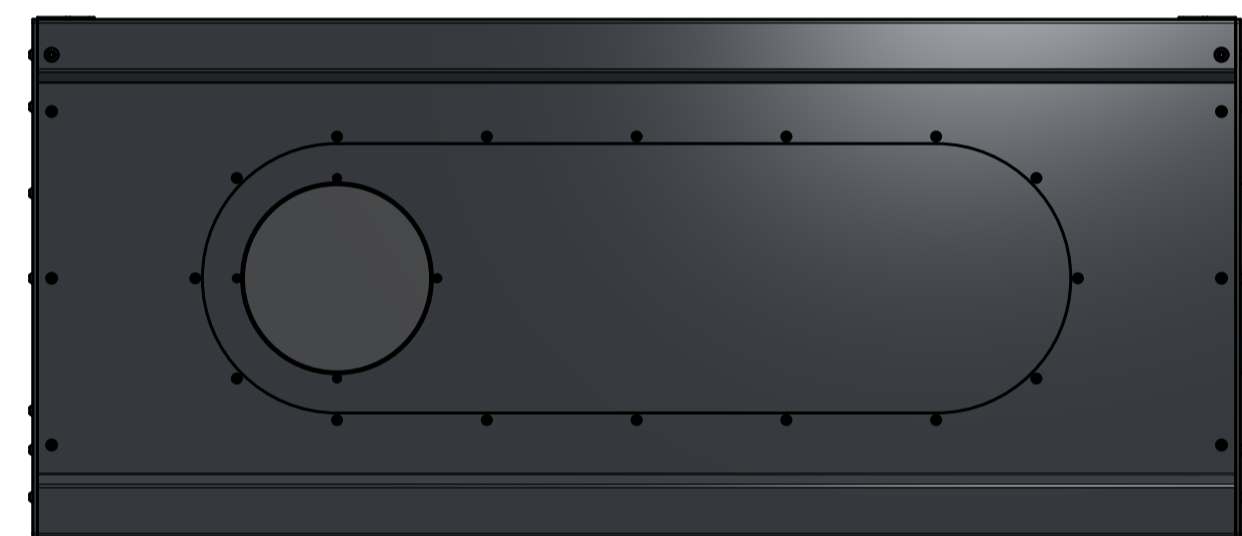
Isometric



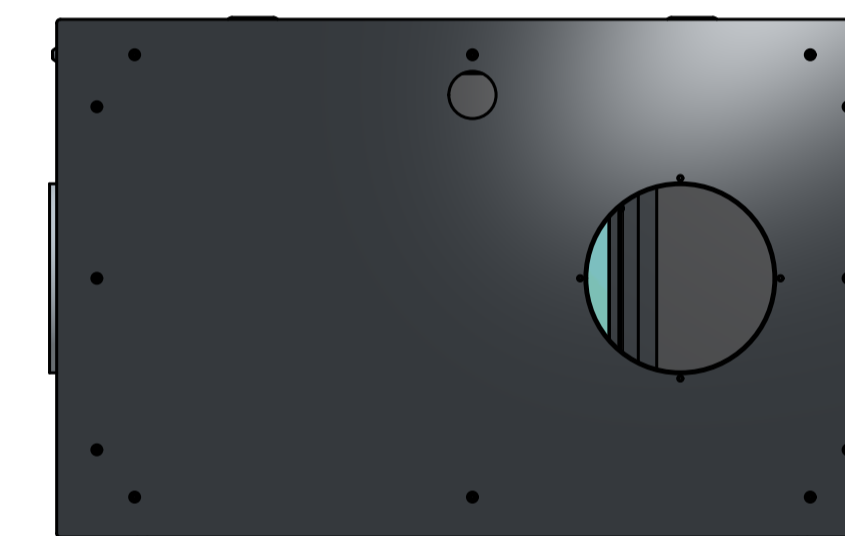
Left



Front



Right



Back



Bottom

NOTES:

- ALL DIMENSIONS ARE IN 'MM' UNLESS SPECIFIED IN "[x]".
- ANY HAZARD SYMBOLS ARE TO BE READ IN CONJUNCTION WITH ANY RISK ASSESSMENT IF NUMBERED.
- THIS DRAWING IS PROPERTY OF DISPLAY TECHNOLOGIES LTD & IS STRICTLY CONFIDENTIAL. THE DRAWING SPECIFICATION & ITS CONTENTS MUST NOT BE DISCLOSED TO ANY THIRD PARTY WITHOUT PRIOR CONSENT.
- DRAWING SCALE IS ANNOTATED ON EVERY VIEW. IF IN DOUBT - ASK THE DESIGNER.
- DISPLAY TECHNOLOGIES RESERVE THE RIGHT TO MAKE DESIGN ALTERNATIONS THROUGHOUT CONTINUOUS PRODUCT DEVELOPMENT - IS IT THE CLIENTS RESPONSIBILITY TO ENSURE THEY REQUEST THE LATEST DESIGN REVISION.

SYMBOLS:

- PROVIDES A REFERENCE NUMBER FOR ADDITIONAL NOTATION.
- HIGHLIGHTS SPECIFIC MANUFACTURING INFORMATION.
- HIGHLIGHTS A HAZARD & OR A RESIDUAL RISK ASSOCIATED WITH THE DESIGN RISK ASSESSMENT.

REV	DESCRIPTION	DATE	INITIALS
0	ORIGINAL ISSUE.	07.03.24	SR

DESIGNED	CHECKED	APPROVED
S. Ridley	S. Ridley	S. Ridley
07.03.24	07.03.24	07.03.24

DRAWING STATUS

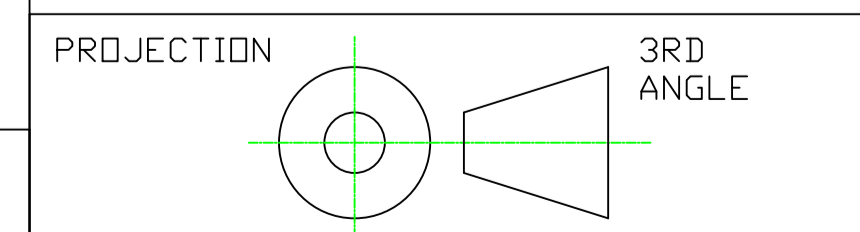
CLIENT ISSUE

TITLE

GENERAL OVERVIEW

PART NUMBER

[DT-HB-M+]



Note

The location and size of the inlet and extract ducts will depend on the configuration specified. See specific configuration drawings for the duct positioning and sizes. They are shown on this drawing for information only.

DRAWING No. DR-01	REV No. 0
----------------------	--------------



NOTES:

- ALL DIMENSIONS ARE IN 'MM' UNLESS SPECIFIED IN "[x]".
- ANY HAZARD SYMBOLS ARE TO BE READ IN CONJUNCTION WITH ANY RISK ASSESSMENT IF NUMBERED.
- THIS DRAWING IS PROPERTY OF DISPLAY TECHNOLOGIES LTD & IS STRICTLY CONFIDENTIAL. THE DRAWING SPECIFICATION & ITS CONTENTS MUST NOT BE DISCLOSED TO ANY THIRD PARTY WITHOUT PRIOR CONSENT.
- DRAWING SCALE IS ANNOTATED ON EVERY VIEW. IF IN DOUBT - ASK THE DESIGNER.
- DISPLAY TECHNOLOGIES RESERVE THE RIGHT TO MAKE DESIGN ALTERNATIONS THROUGHOUT CONTINUOUS PRODUCT DEVELOPMENT - IS IT THE CLIENTS RESPONSIBILITY TO ENSURE THEY REQUEST THE LATEST DESIGN REVISION.

SYMBOLS:

- PROVIDES A REFERENCE NUMBER FOR ADDITIONAL NOTATION.
- HIGHLIGHTS SPECIFIC MANUFACTURING INFORMATION.
- HIGHLIGHTS A HAZARD & OR A RESIDUAL RISK ASSOCIATED WITH THE DESIGN RISK ASSESSMENT.

REV	DESCRIPTION	DATE	INITIALS
0	ORIGINAL ISSUE.	07.03.24	SR

DESIGNED	CHECKED	APPROVED
S. Ridley	S. Ridley	S. Ridley
07.03.24	07.03.24	07.03.24

DRAWING STATUS

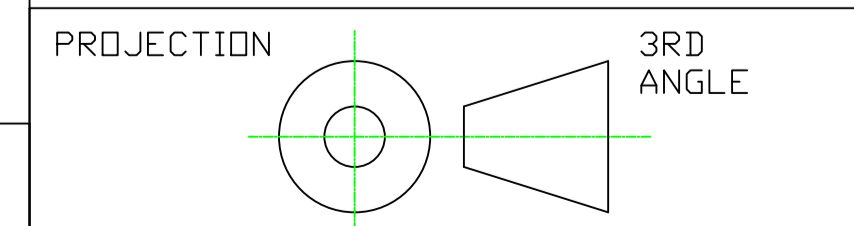
CLIENT ISSUE

TITLE

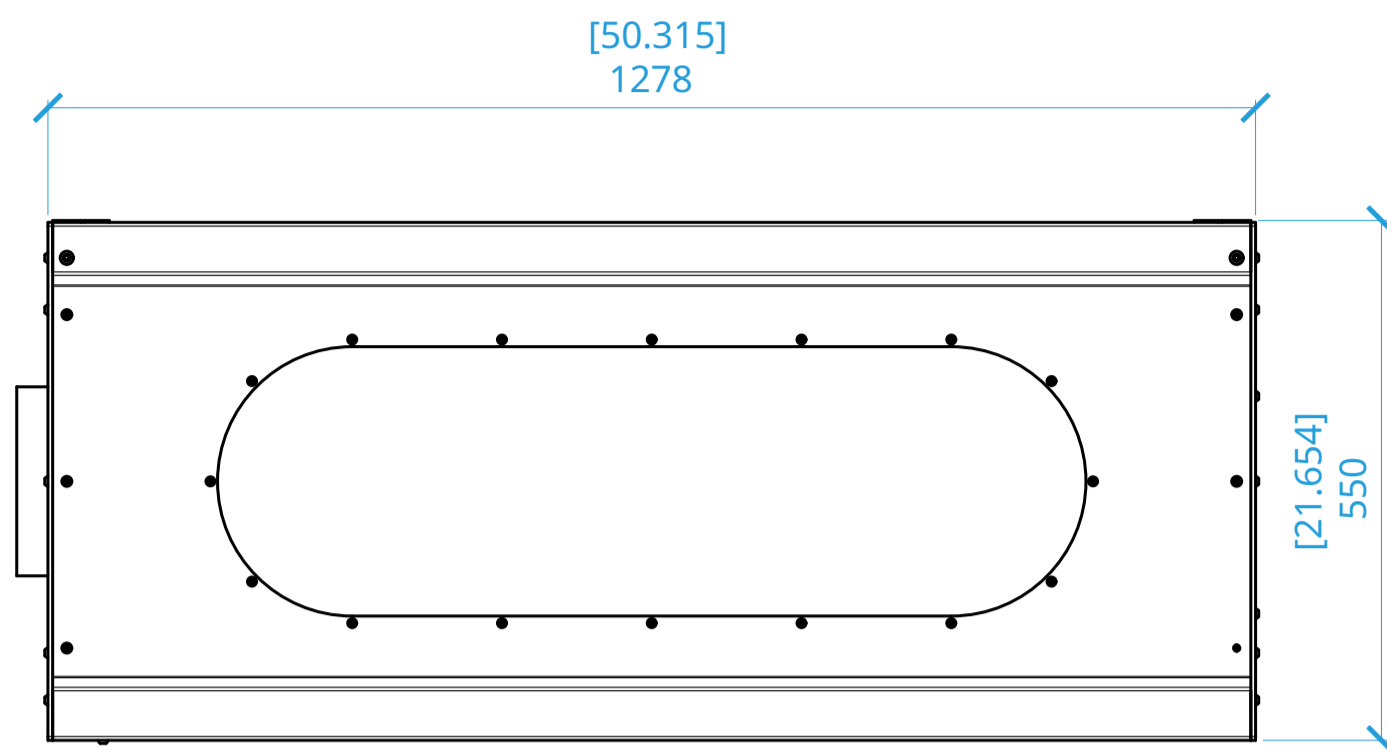
GENERAL OVERVIEW

PART NUMBER

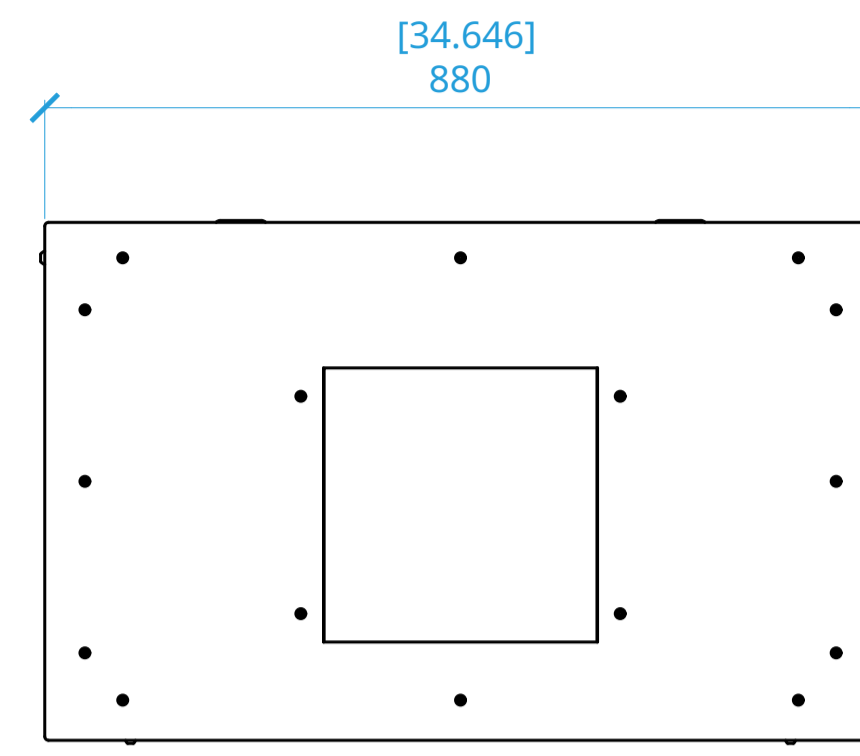
[DT-HB-M+]



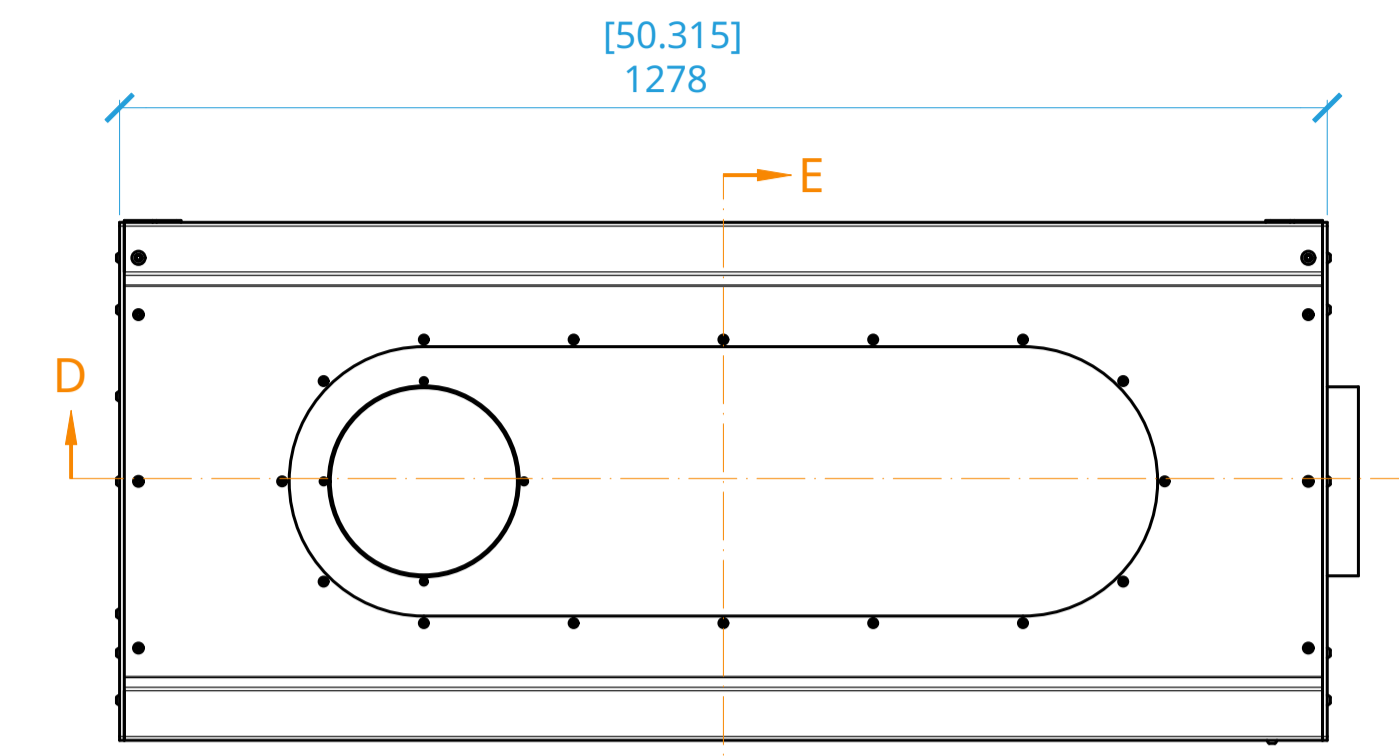
DRAWING No. DR-02	REV No. 0
----------------------	--------------



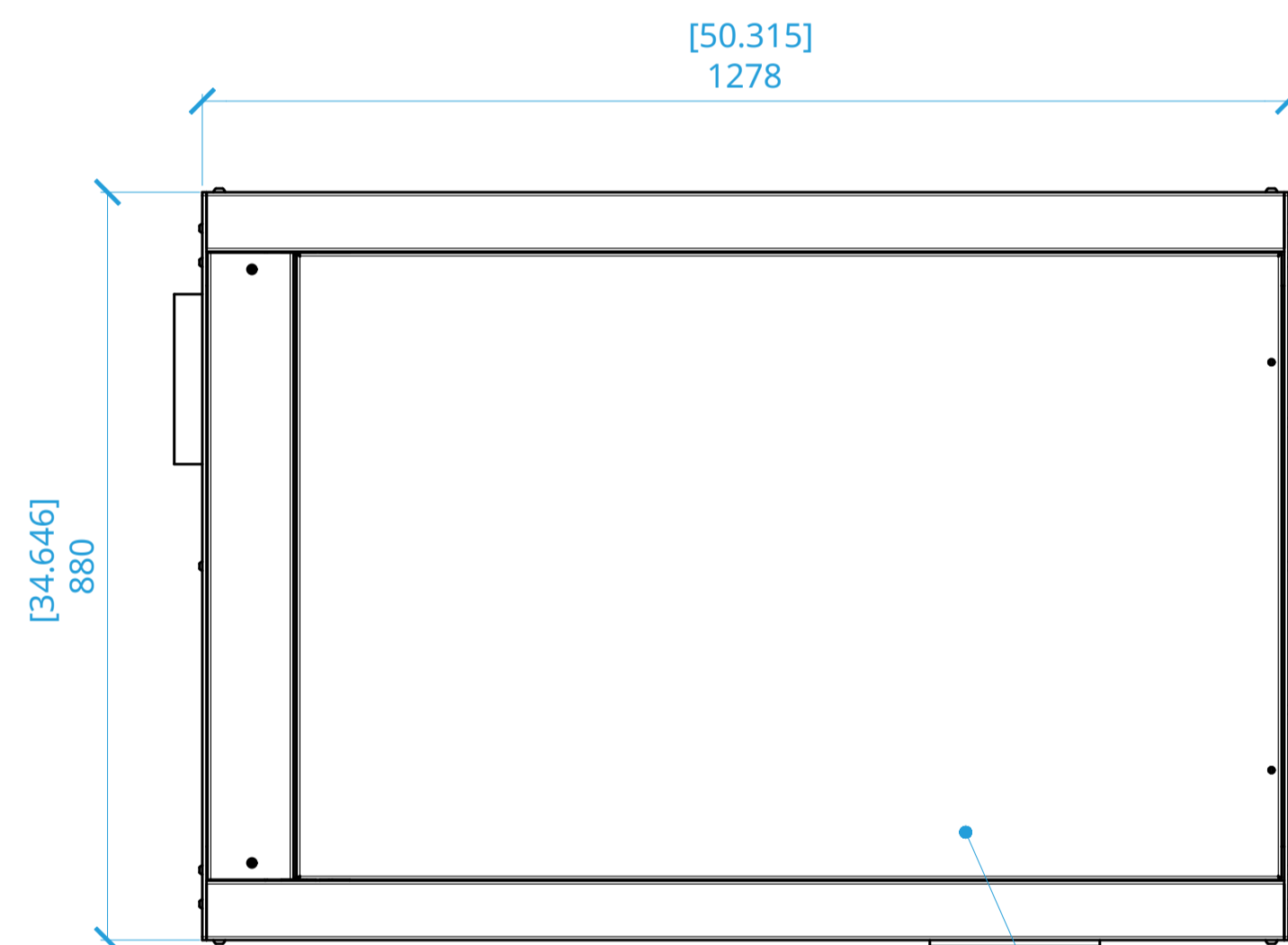
Left



Front

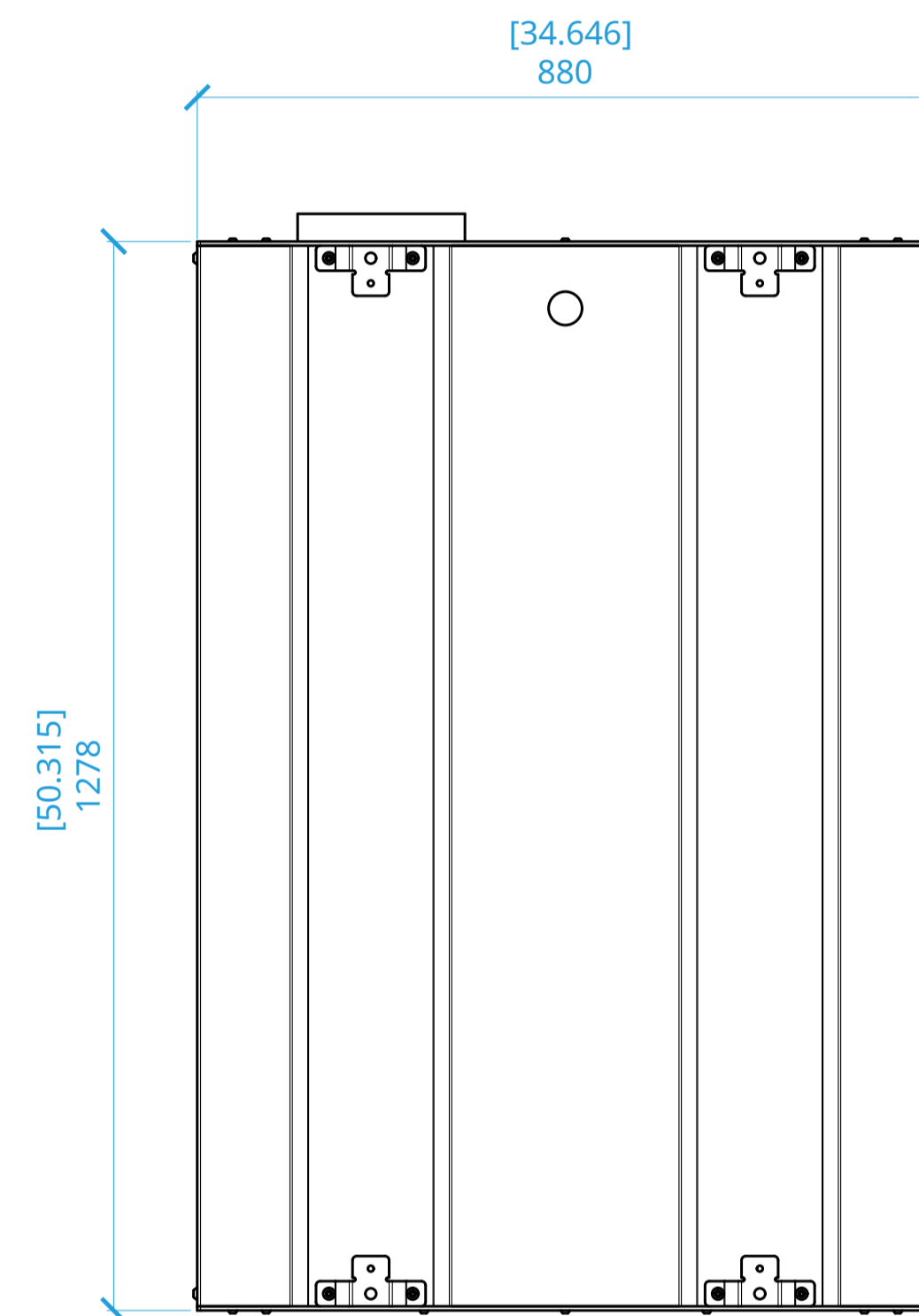


Right

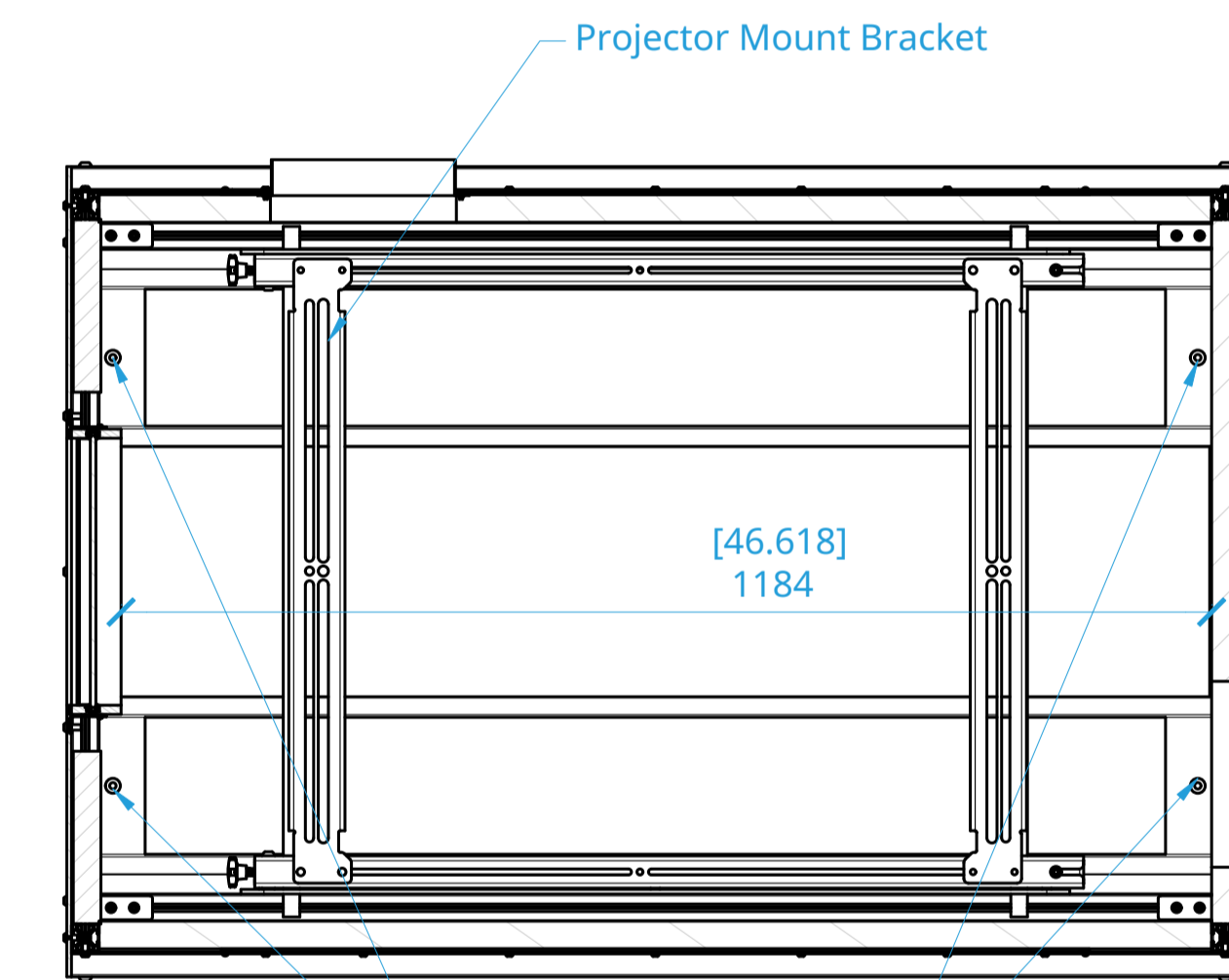


Bottom

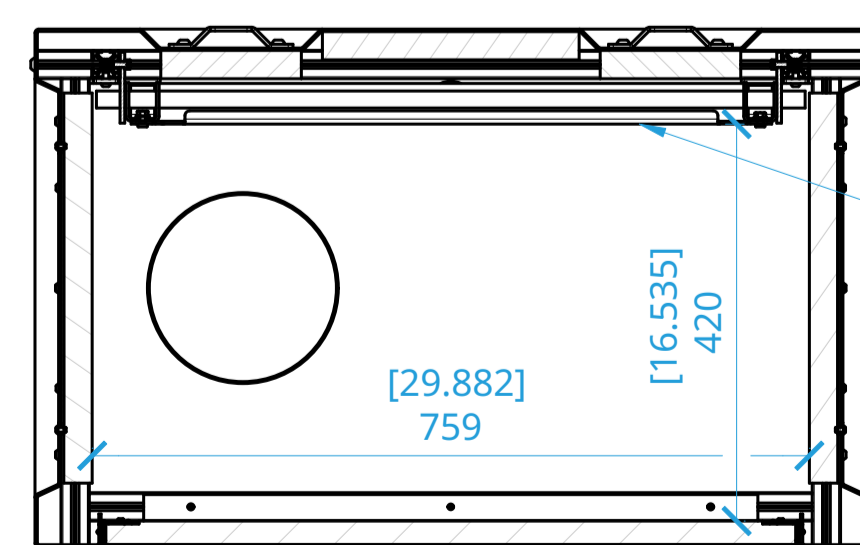
Access Door - Hinges down 90 degrees



Top



Fixation Point Access
D - D

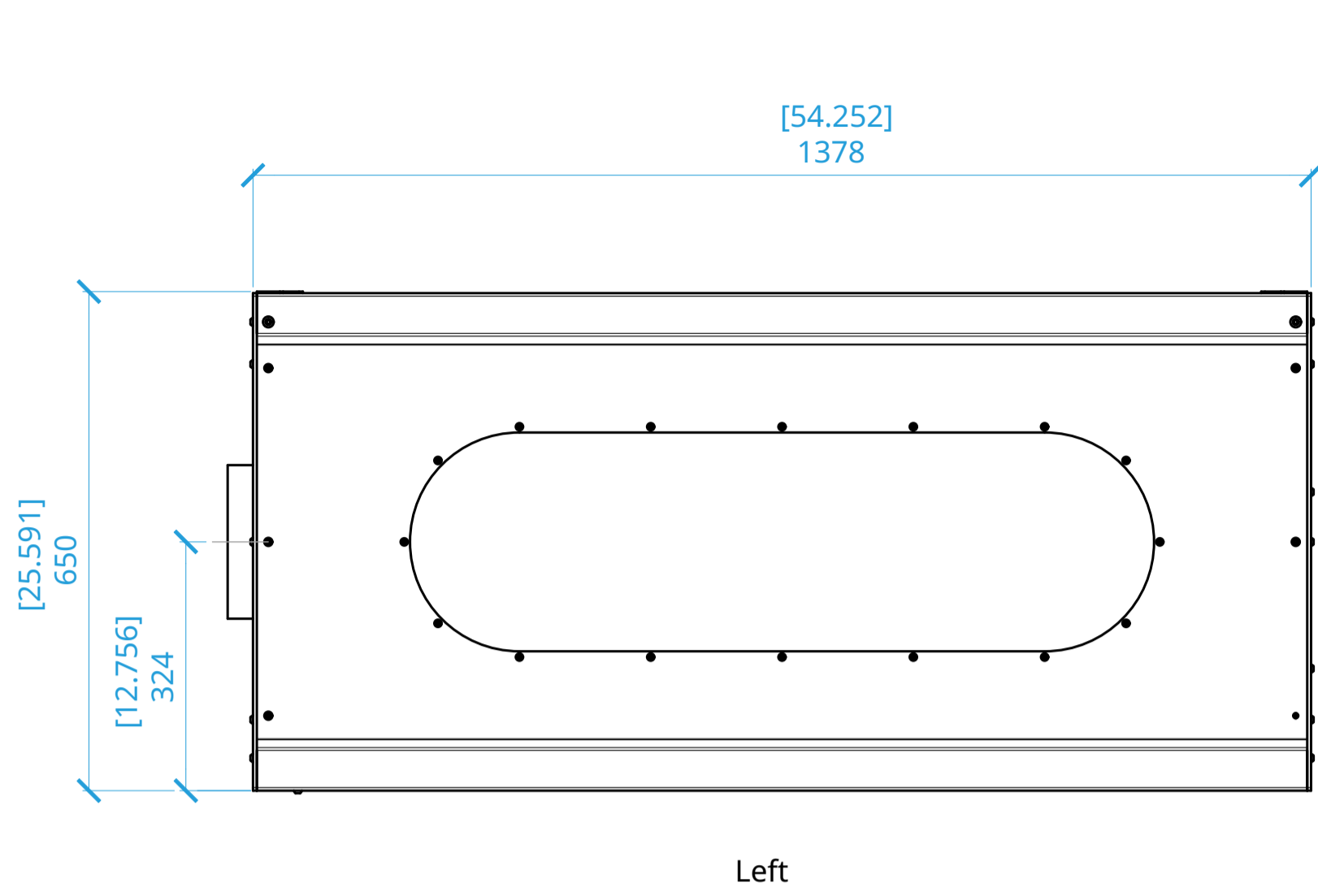


E - E

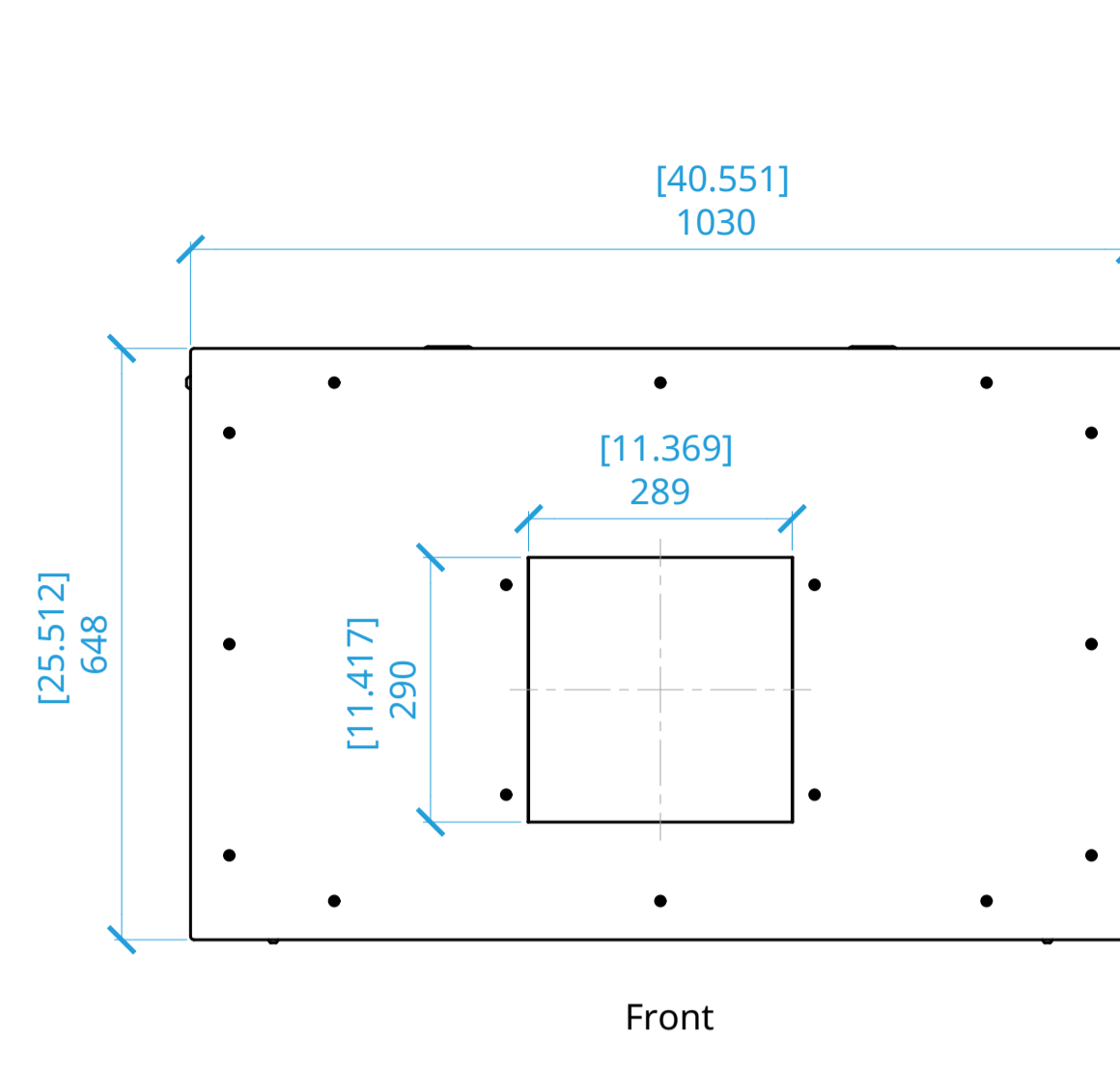
Projector Mount Bracket

Note

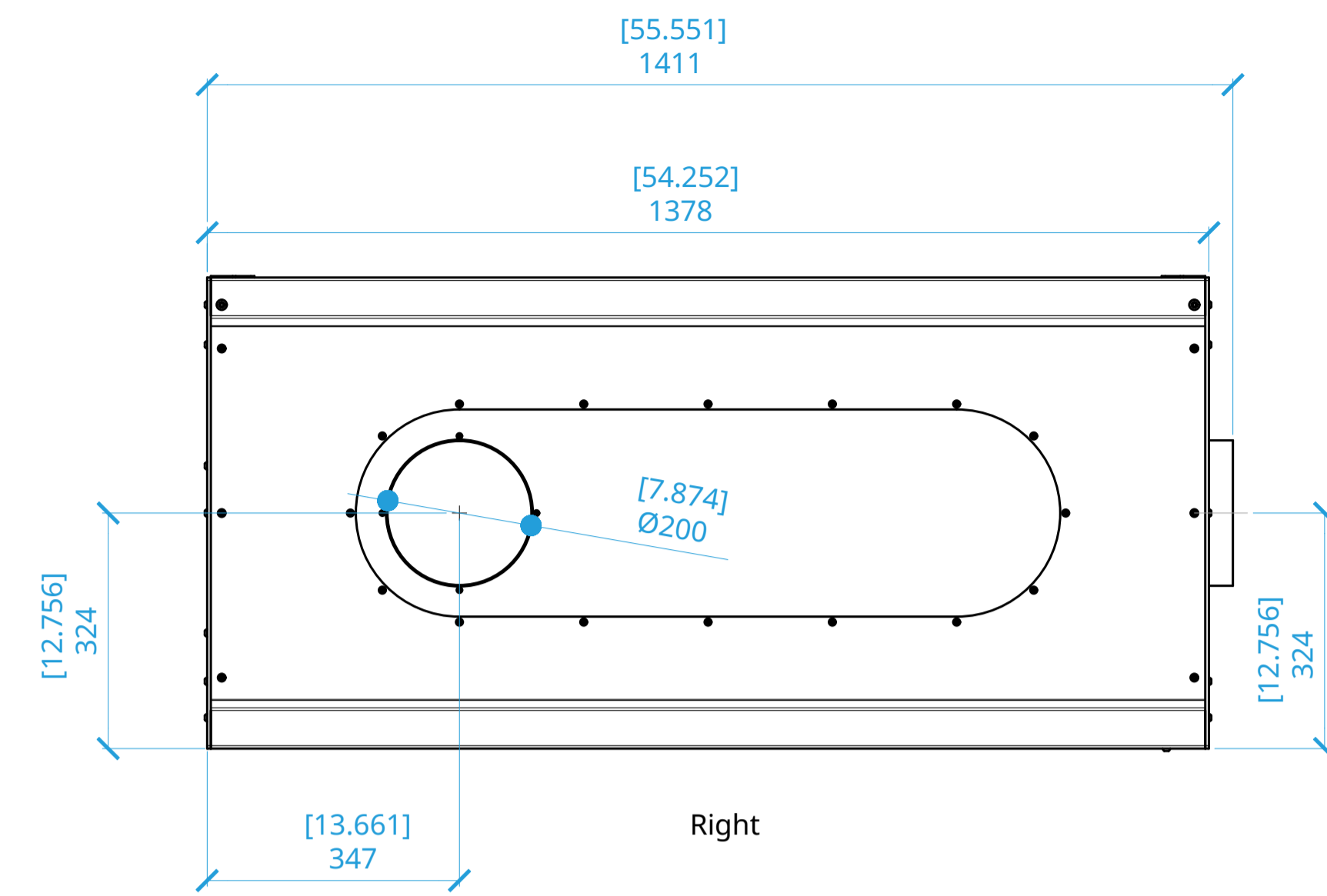
The location and size of the inlet and extract ducts will depend on the configuration specified. See specific configuration drawings for the duct positioning and sizes. They are shown on this drawing for information only.



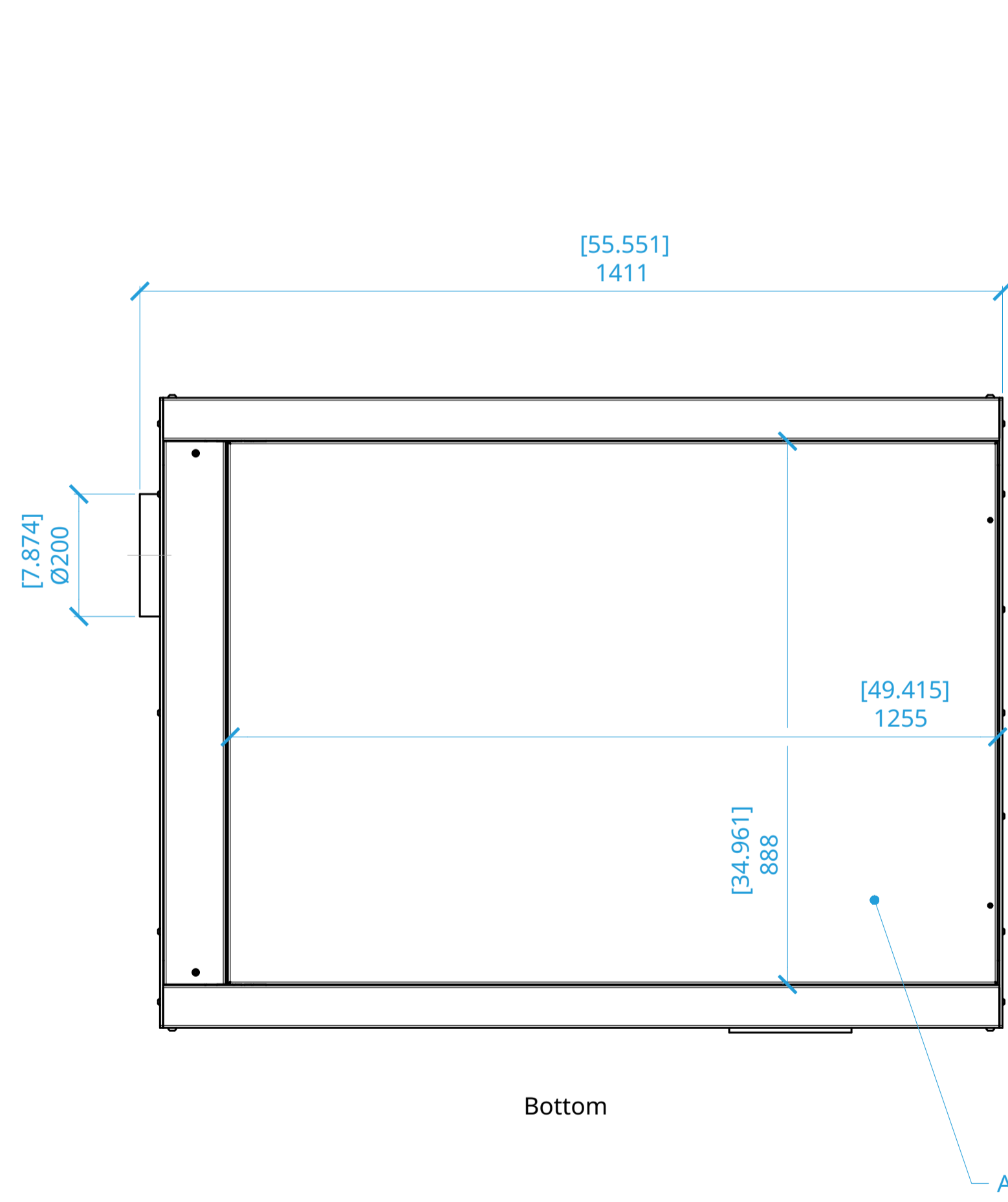
Left



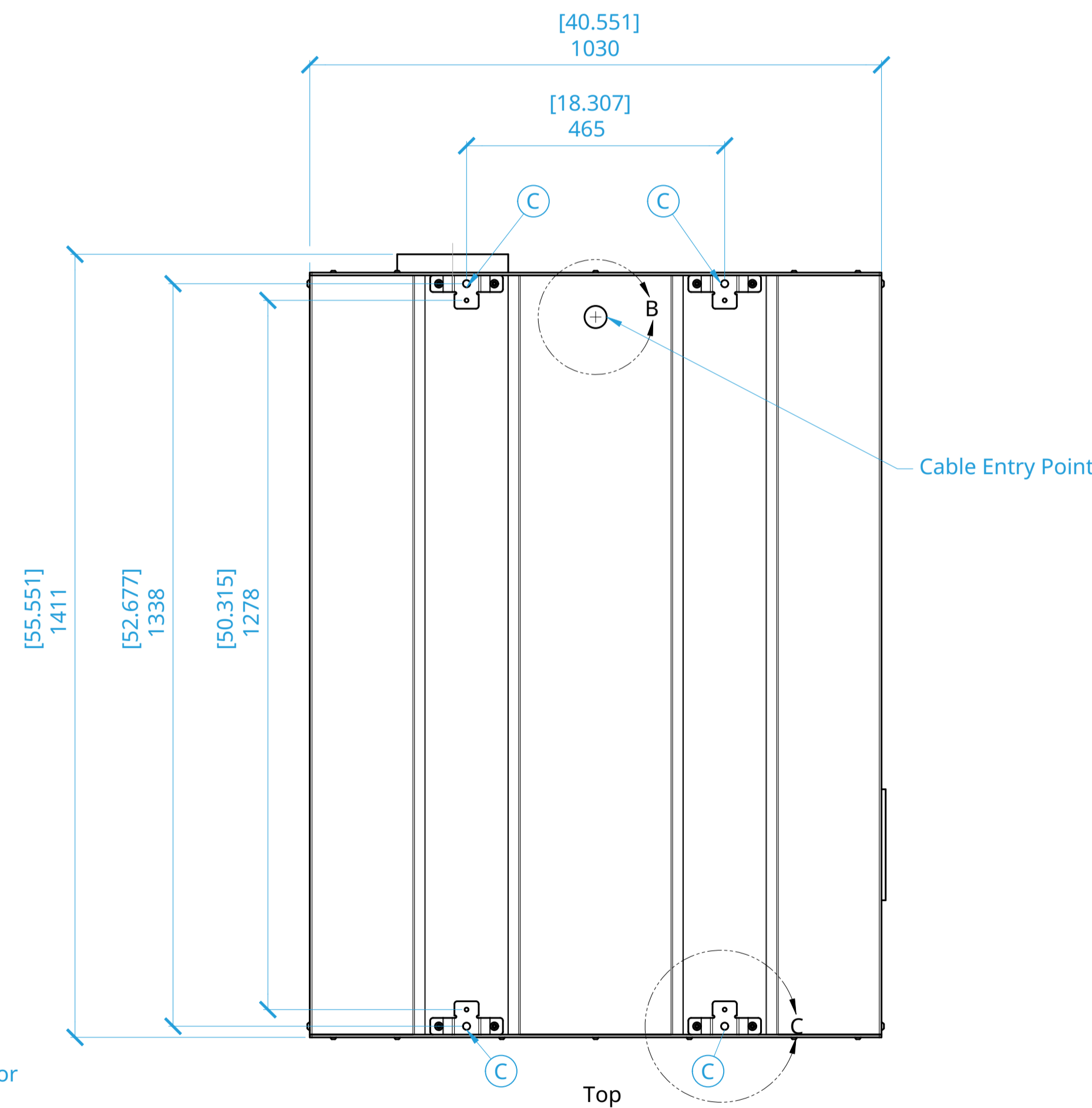
Front



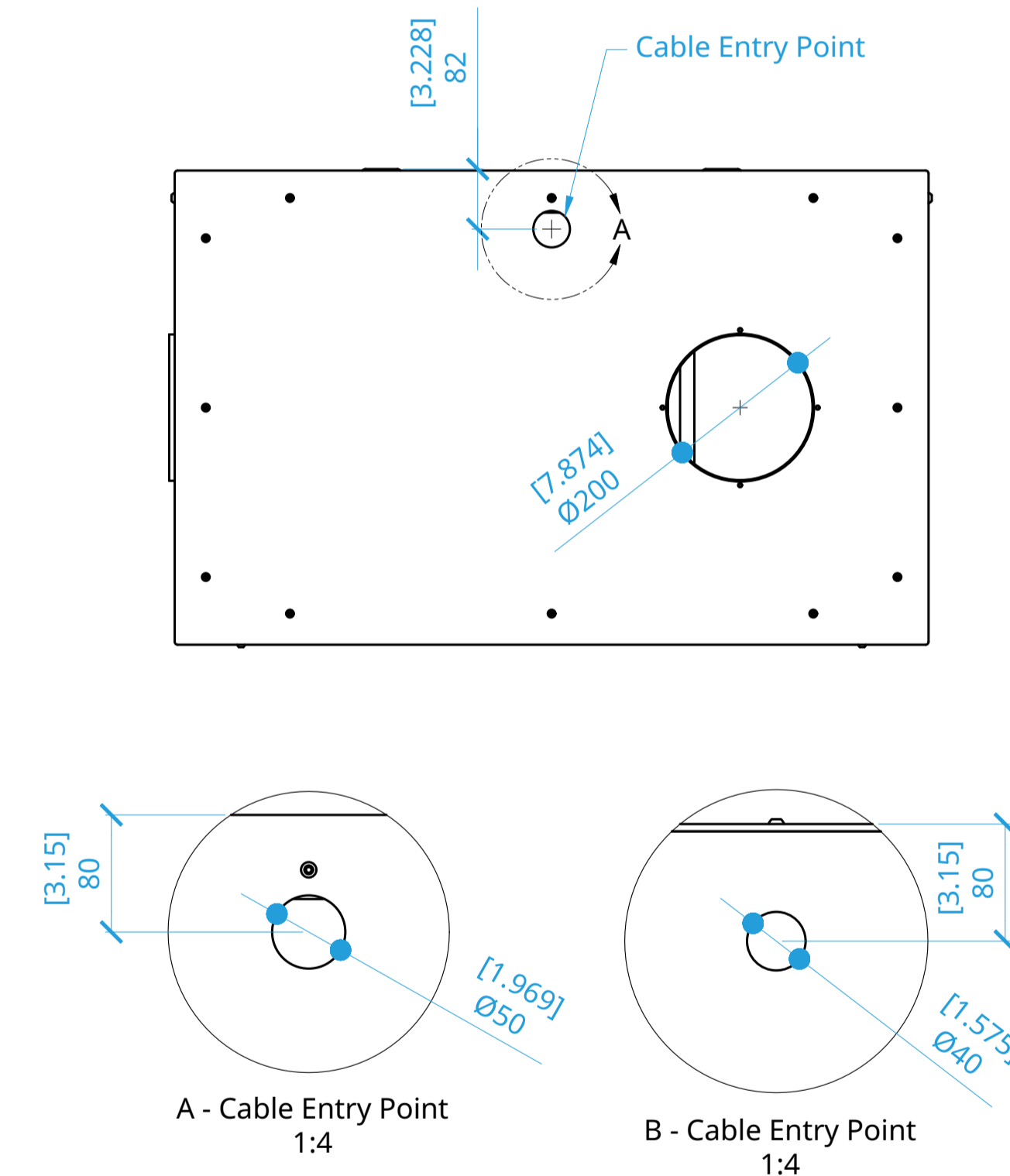
Right



Bottom

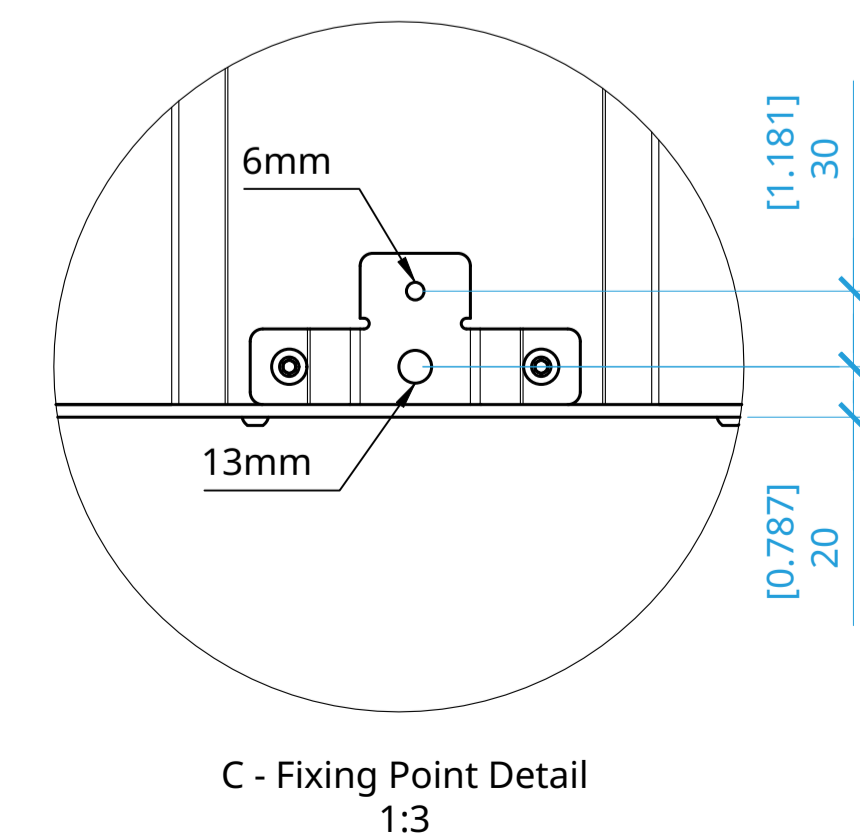


Top



A - Cable Entry Point 1:4

B - Cable Entry Point 1:4



C - Fixing Point Detail 1:3

NOTES:

- ALL DIMENSIONS ARE IN 'MM' UNLESS SPECIFIED IN "[x]".
- ANY HAZARD SYMBOLS ARE TO BE READ IN CONJUNCTION WITH ANY RISK ASSESSMENT IF NUMBERED.
- THIS DRAWING IS PROPERTY OF DISPLAY TECHNOLOGIES LTD & IS STRICTLY CONFIDENTIAL. THE DRAWING SPECIFICATION & ITS CONTENTS MUST NOT BE DISCLOSED TO ANY THIRD PARTY WITHOUT PRIOR CONSENT.
- DRAWING SCALE IS ANNOTATED ON EVERY VIEW. IF IN DOUBT - ASK THE DESIGNER.
- DISPLAY TECHNOLOGIES RESERVE THE RIGHT TO MAKE DESIGN ALTERNATIONS THROUGHOUT CONTINUOUS PRODUCT DEVELOPMENT - IS IT THE CLIENTS RESPONSIBILITY TO ENSURE THEY REQUEST THE LATEST DESIGN REVISION.

SYMBOLS:

- PROVIDES A REFERENCE NUMBER FOR ADDITIONAL NOTATION.
- HIGHLIGHTS SPECIFIC MANUFACTURING INFORMATION.
- HIGHLIGHTS A HAZARD & OR A RESIDUAL RISK ASSOCIATED WITH THE DESIGN RISK ASSESSMENT.

REV	DESCRIPTION	DATE	INITIALS
0	ORIGINAL ISSUE.	07.03.24	SR

DESIGNED	CHECKED	APPROVED
S. Ridley	S. Ridley	S. Ridley
07.03.24	07.03.24	07.03.24

DRAWING STATUS

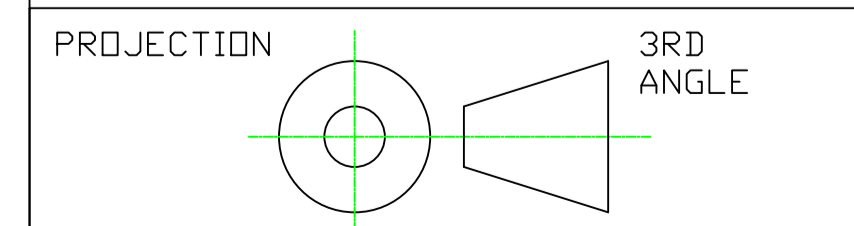
CLIENT ISSUE

TITLE

Detail Drawing

PART NUMBER

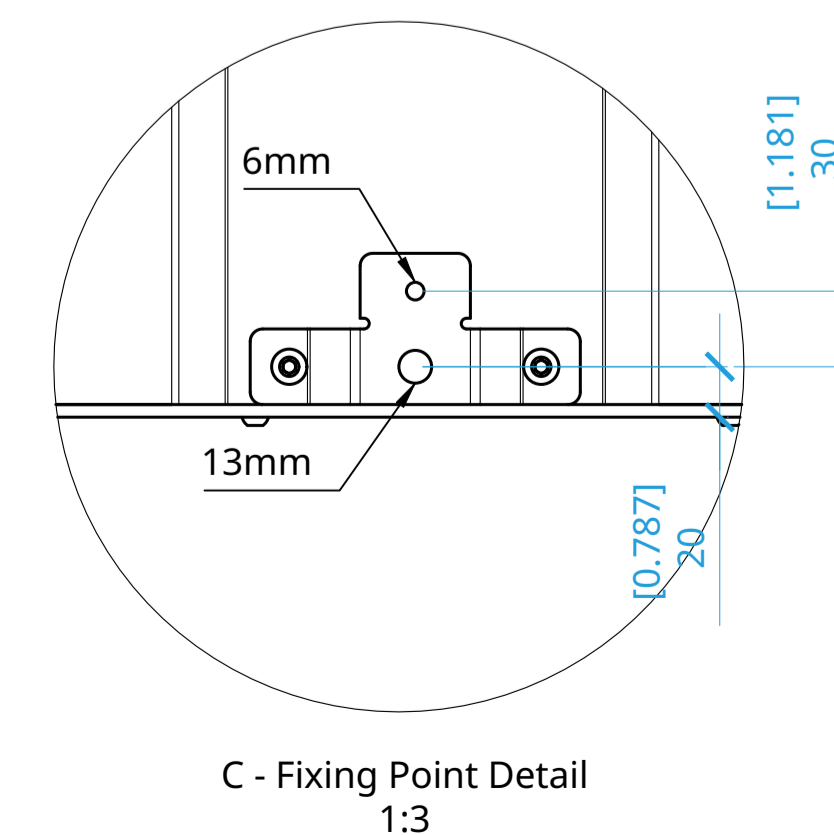
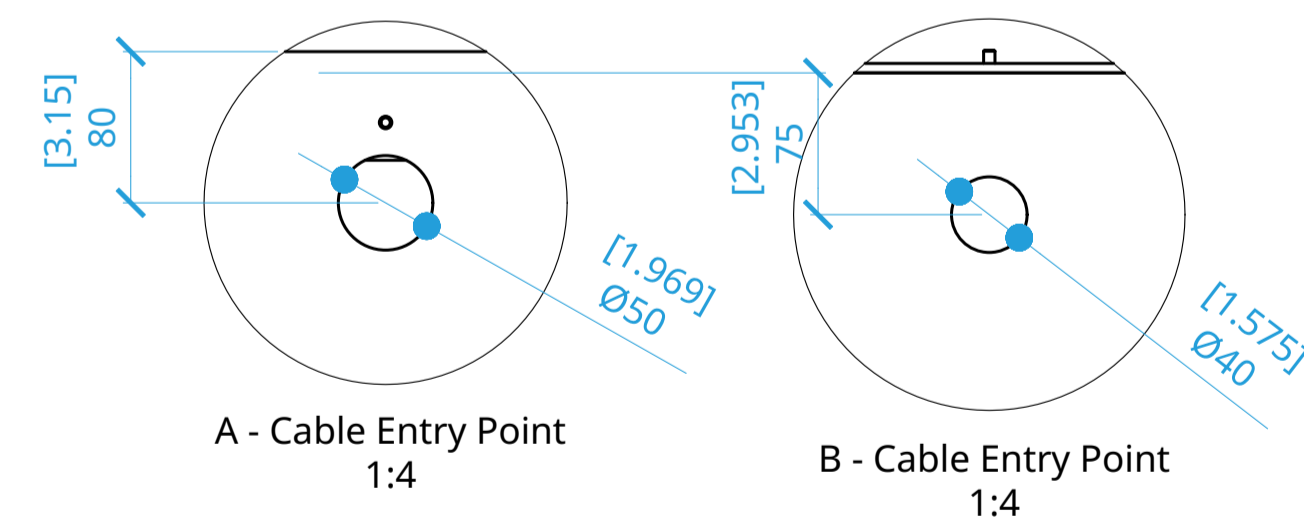
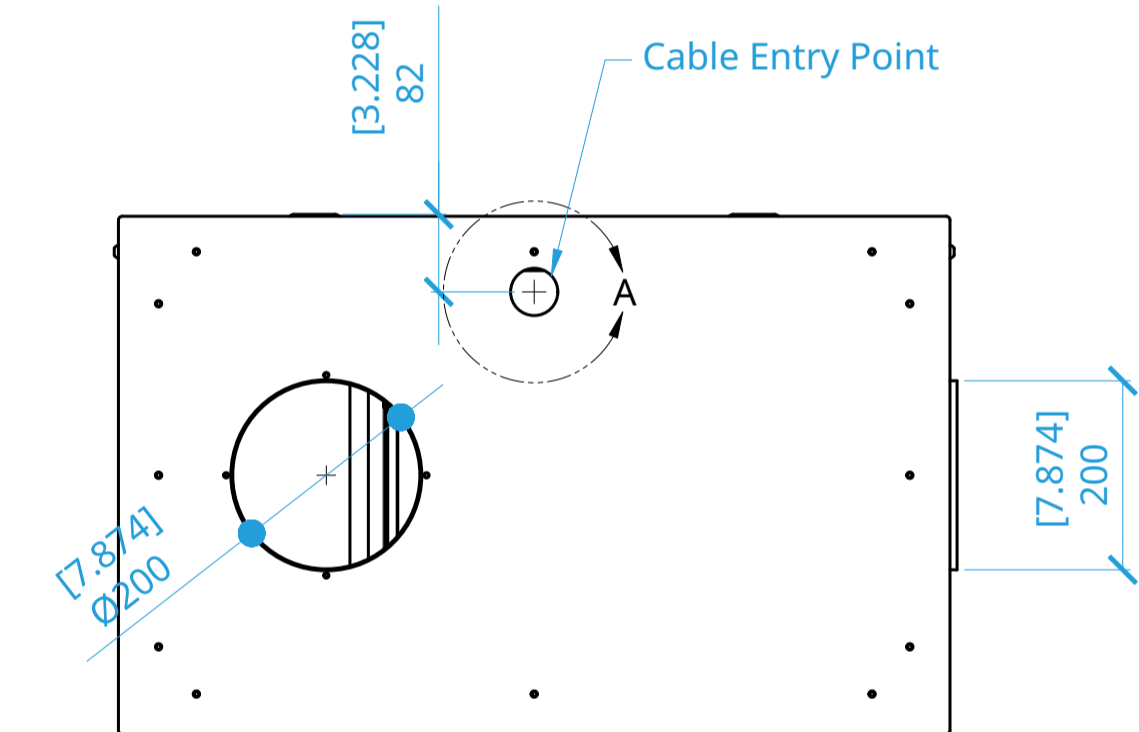
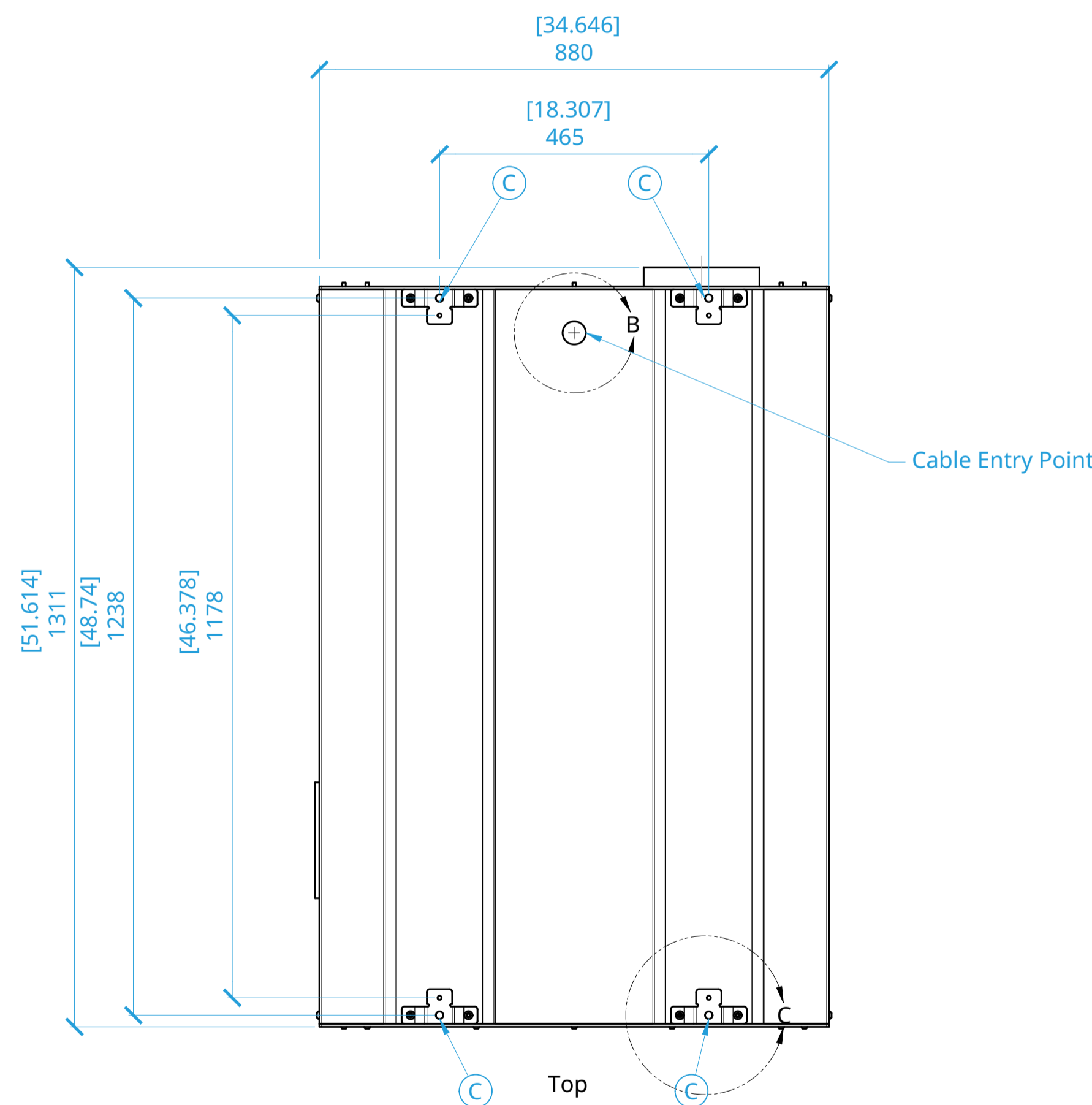
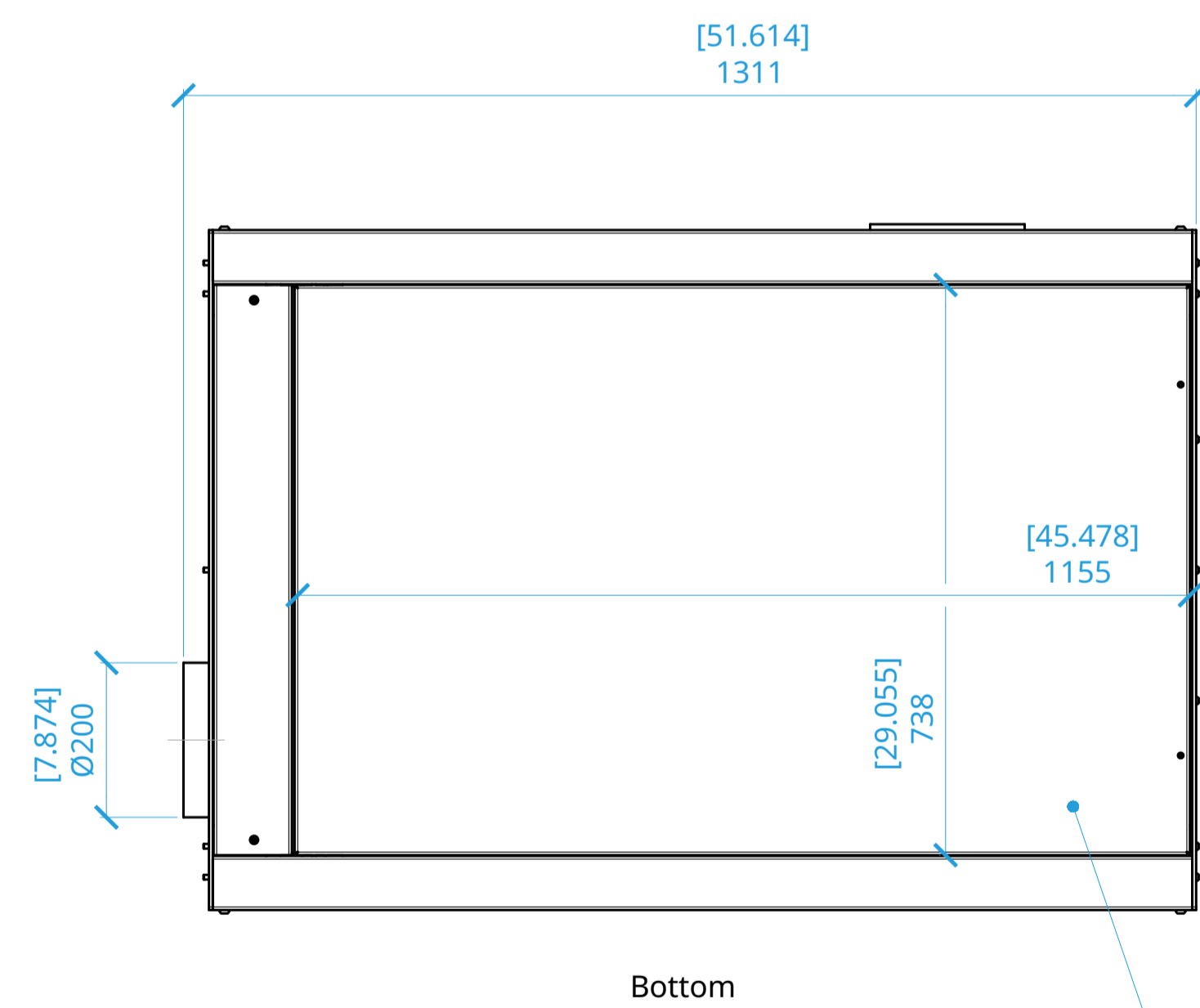
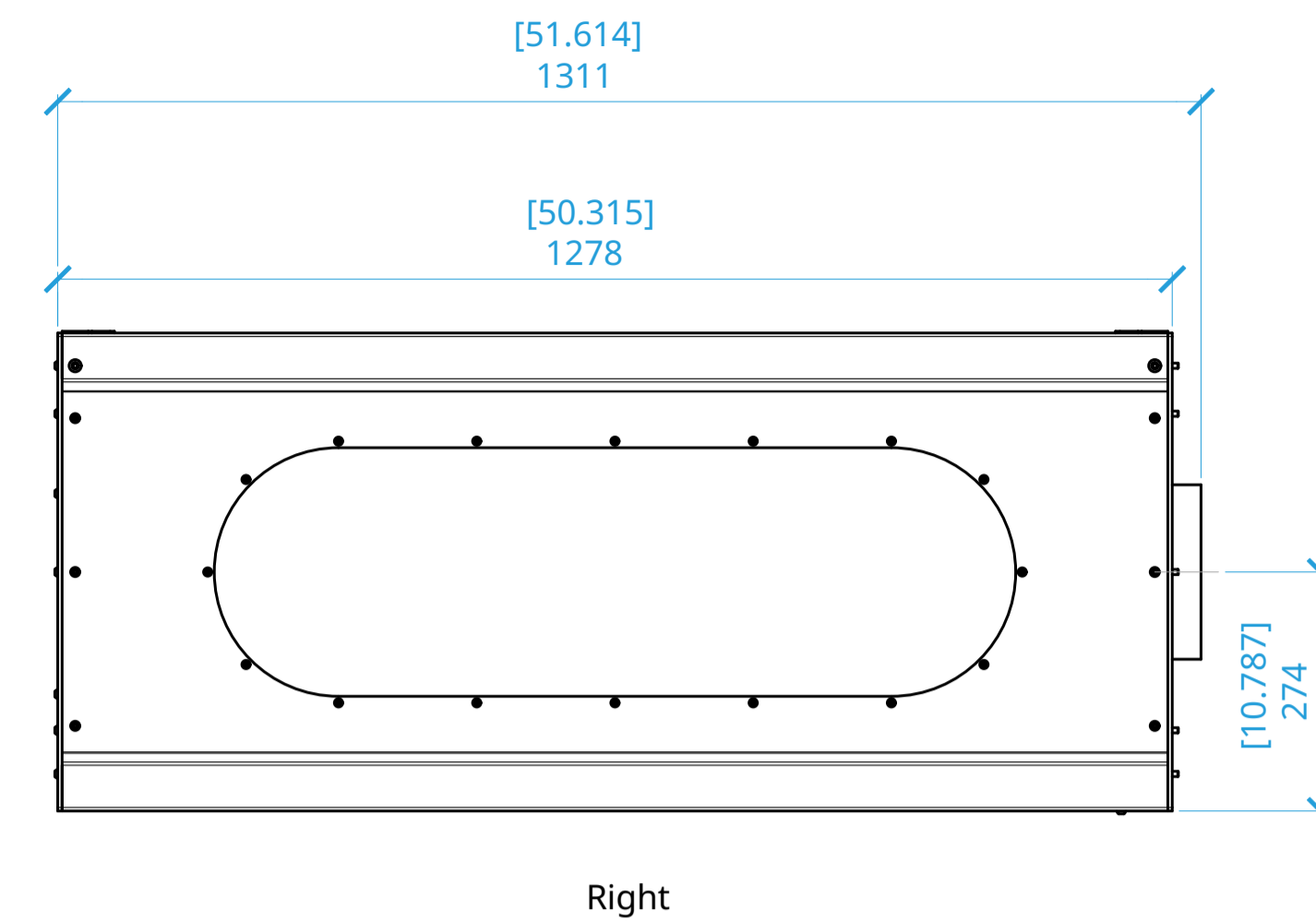
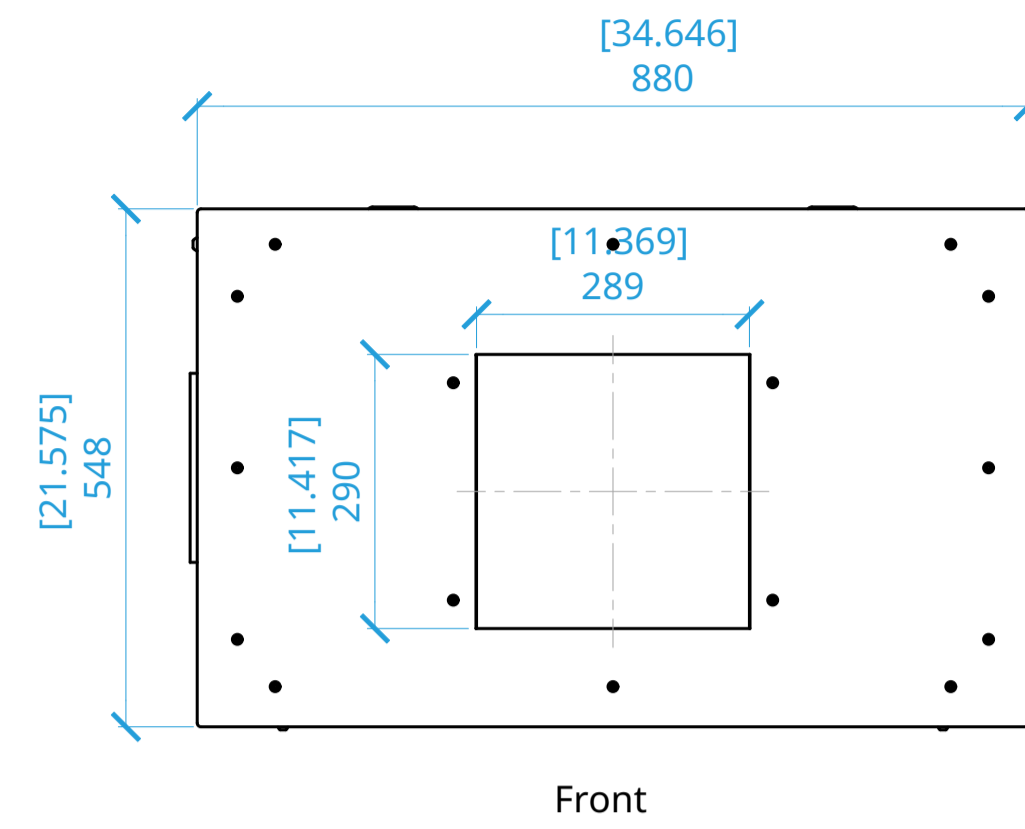
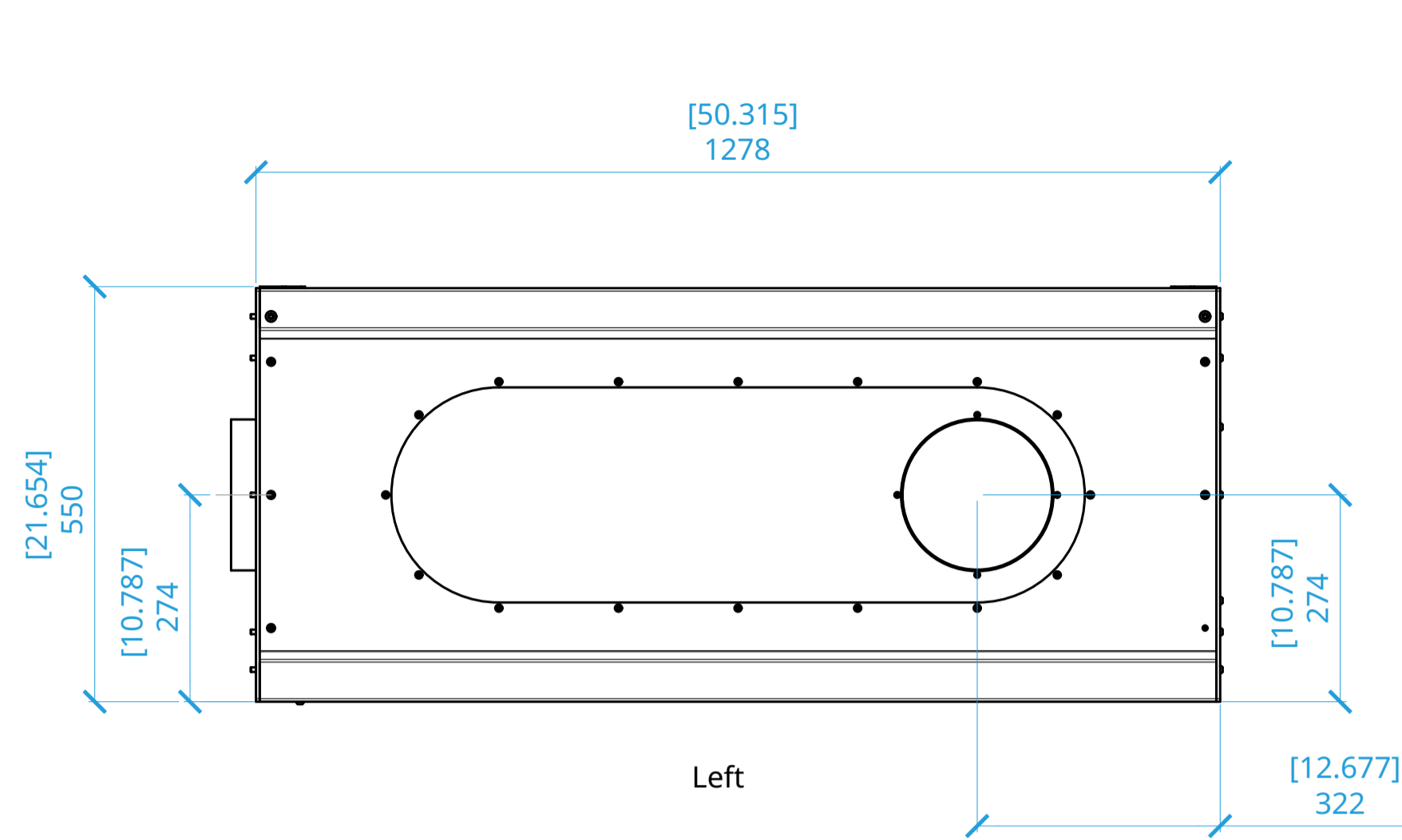
[DT-HB-M+]
[DT-HB-M+-B-200-L]



DRAWING No. DR-03	REV No. 0
----------------------	--------------

Configuration

Model	Colour	Duct Size (mm)	Duct Configuration	SKU
DT-HB-M+	B	200	L	DT-HB-M+-B-200-L



NOTES:

- ALL DIMENSIONS ARE IN 'MM' UNLESS SPECIFIED IN "[x]".
- ANY HAZARD SYMBOLS ARE TO BE READ IN CONJUNCTION WITH ANY RISK ASSESSMENT IF NUMBERED.
- THIS DRAWING IS PROPERTY OF DISPLAY TECHNOLOGIES LTD & IS STRICTLY CONFIDENTIAL. THE DRAWING SPECIFICATION & ITS CONTENTS MUST NOT BE DISCLOSED TO ANY THIRD PARTY WITHOUT PRIOR CONSENT.
- DRAWING SCALE IS ANNOTATED ON EVERY VIEW. IF IN DOUBT - ASK THE DESIGNER.
- DISPLAY TECHNOLOGIES RESERVE THE RIGHT TO MAKE DESIGN ALTERNATIONS THROUGHOUT CONTINUOUS PRODUCT DEVELOPMENT - IS IT THE CLIENTS RESPONSIBILITY TO ENSURE THEY REQUEST THE LATEST DESIGN REVISION.

SYMBOLS:

- PROVIDES A REFERENCE NUMBER FOR ADDITIONAL NOTATION.
- HIGHLIGHTS SPECIFIC MANUFACTURING INFORMATION.
- HIGHLIGHTS A HAZARD & OR A RESIDUAL RISK ASSOCIATED WITH THE DESIGN RISK ASSESSMENT.

REV	DESCRIPTION	DATE	INITIALS
0	ORIGINAL ISSUE.	07.03.24	SR

DESIGNED	CHECKED	APPROVED
S. Ridley	S. Ridley	S. Ridley
07.03.24	07.03.24	07.03.24

DRAWING STATUS

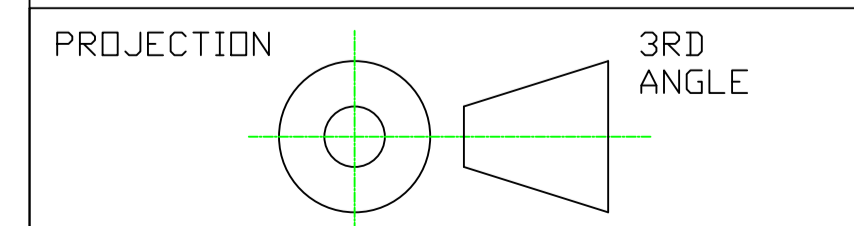
CLIENT ISSUE

TITLE

Detail Drawing

PART NUMBER

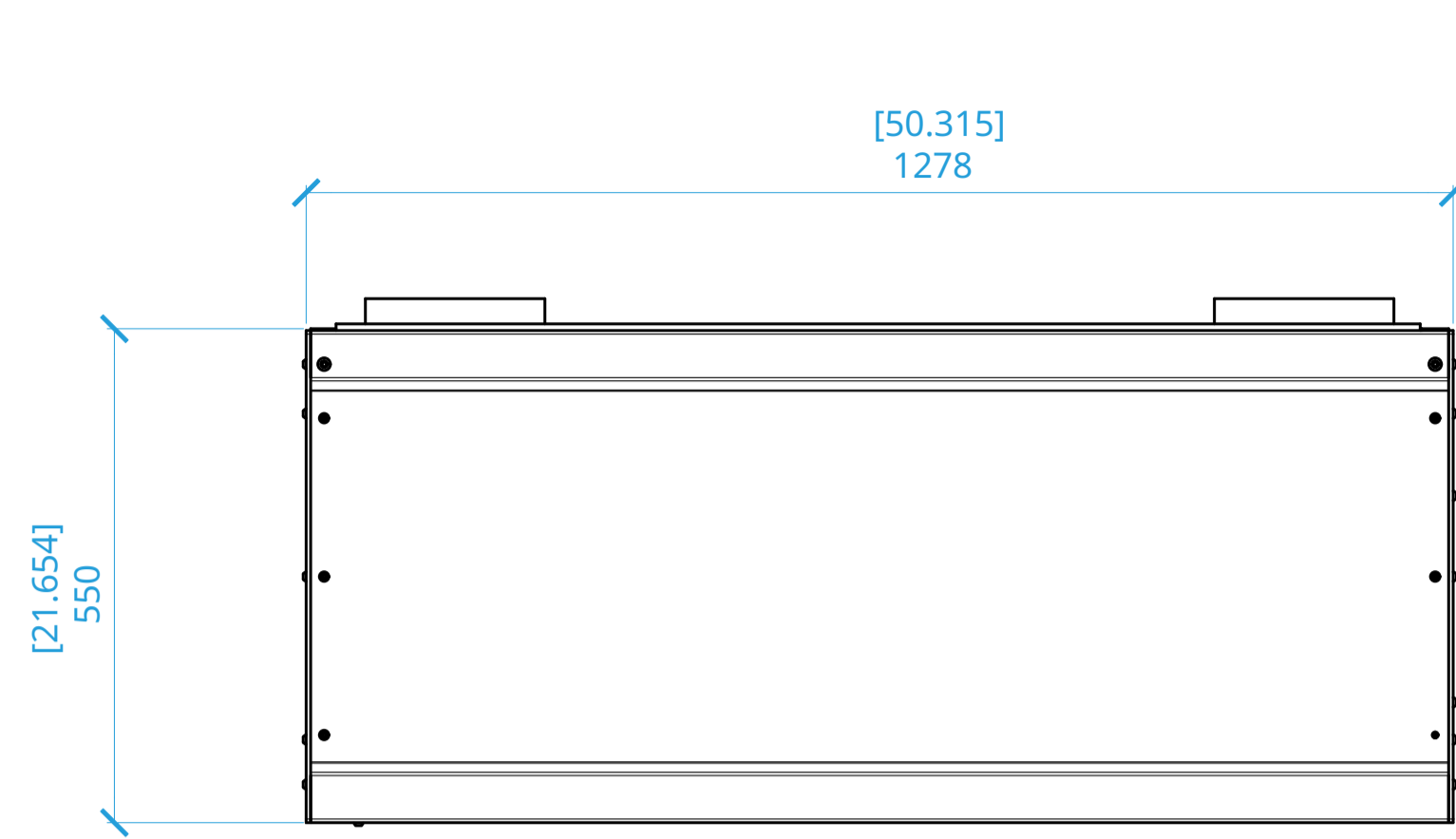
[DT-HB-M+]
[DT-HB-M+-B-200-R]



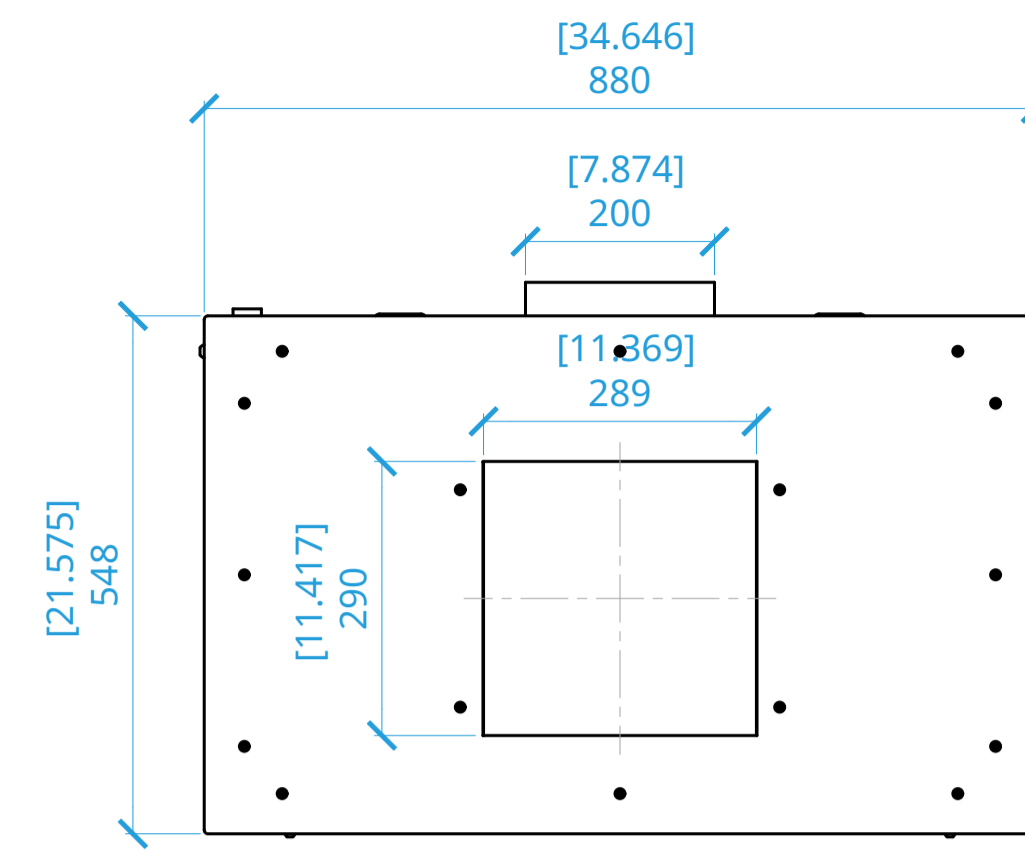
DRAWING No. DR-04	REV No. 0
----------------------	--------------

Configuration

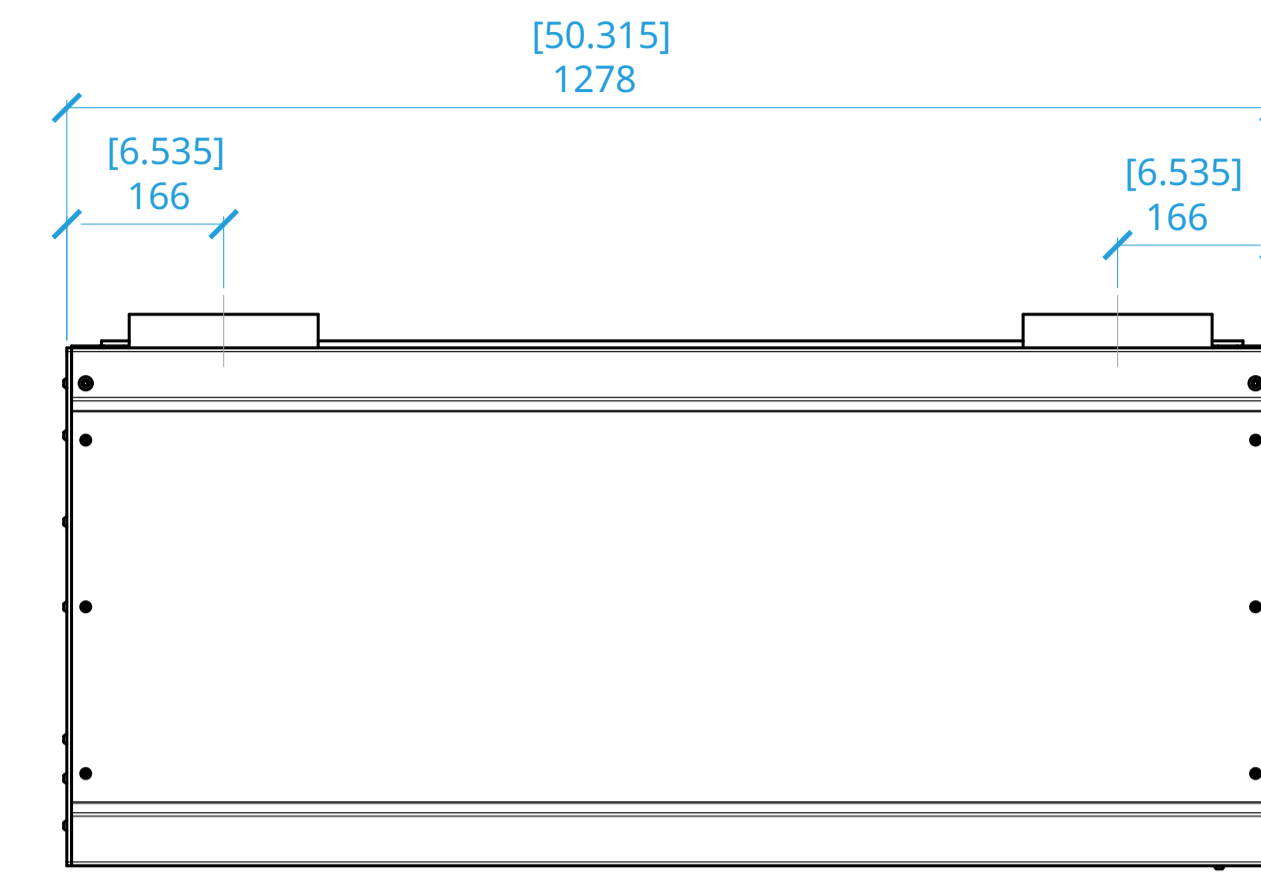
Model DT-HB-M+	Colour B	Duct Size (mm) 200	Duct Configuration R	SKU DT-HB-M+-B-200-R
-------------------	-------------	-----------------------	-------------------------	-------------------------



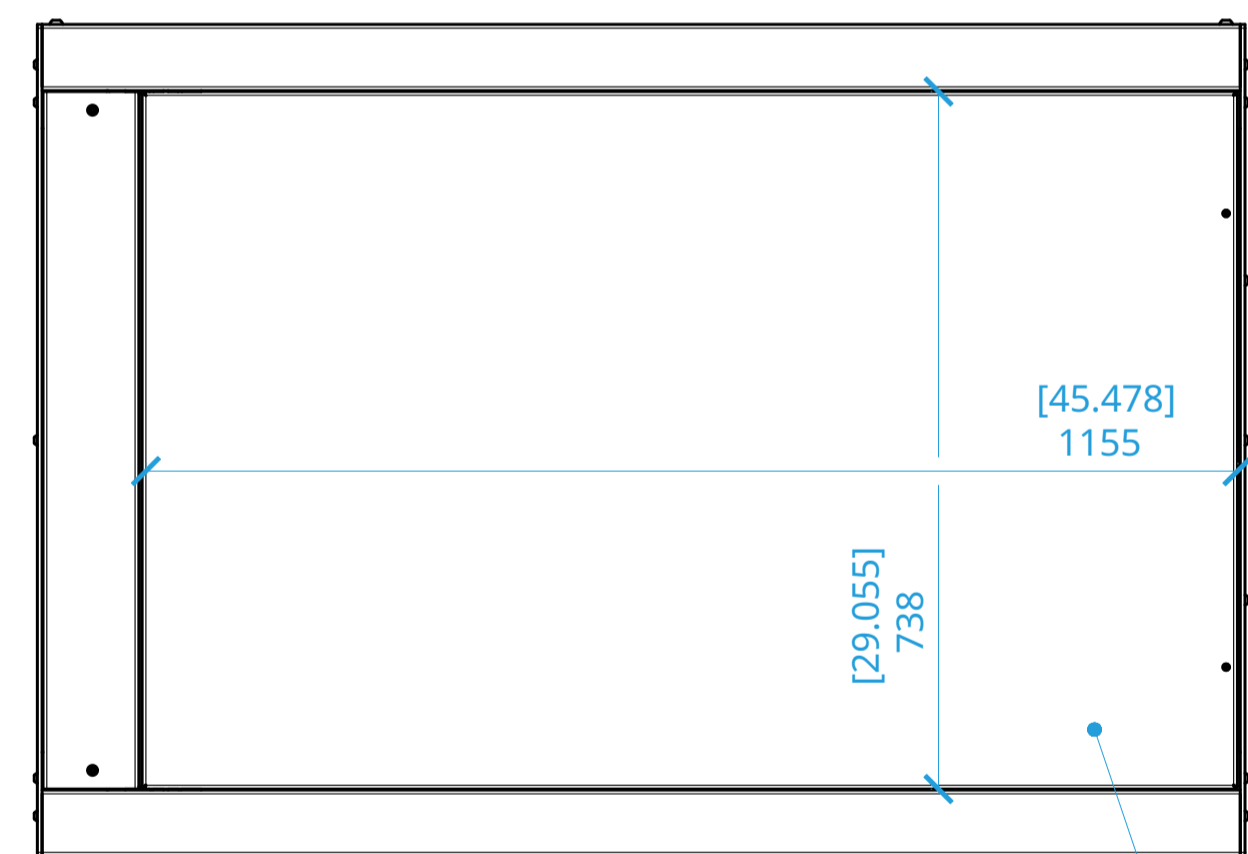
Left



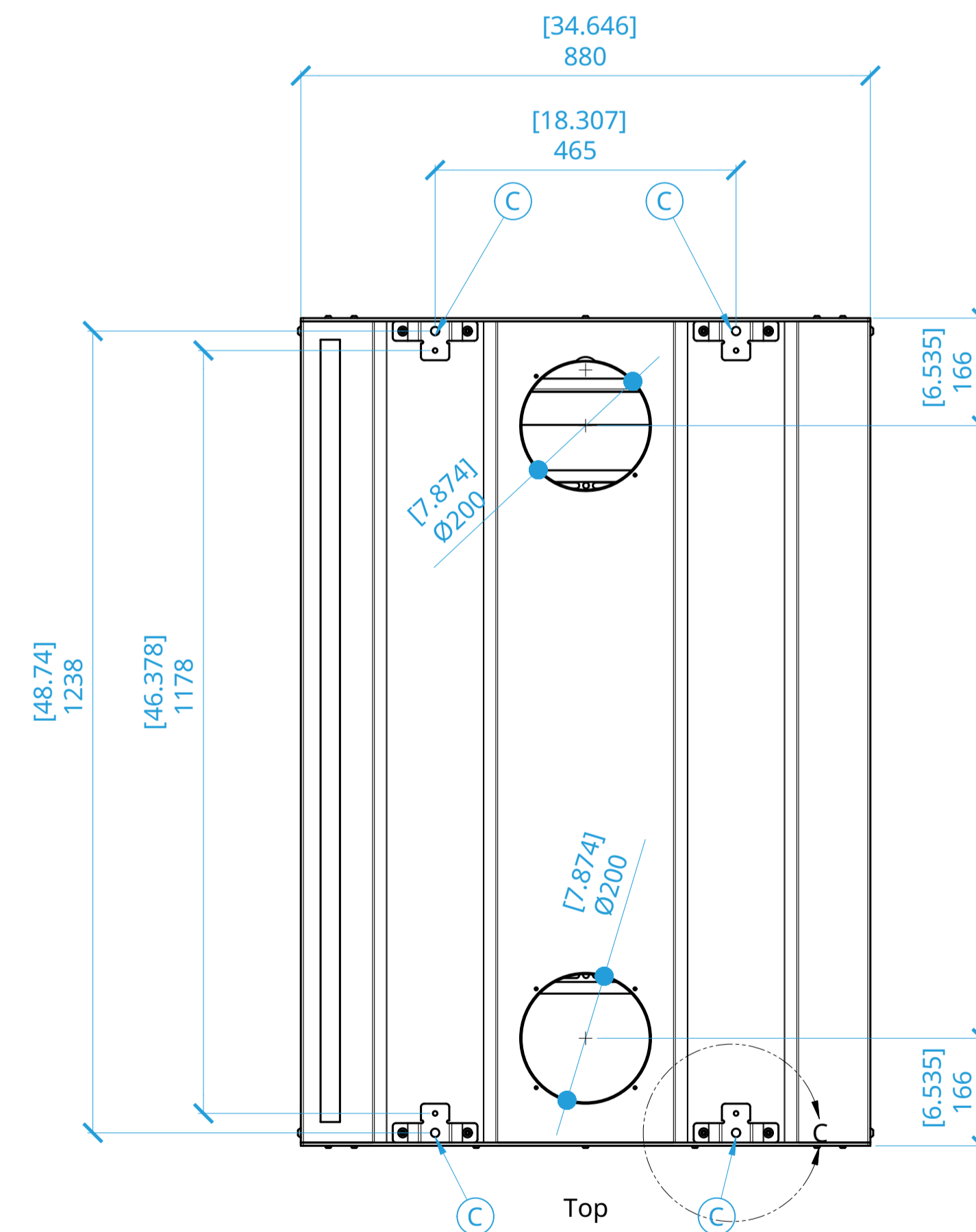
Front



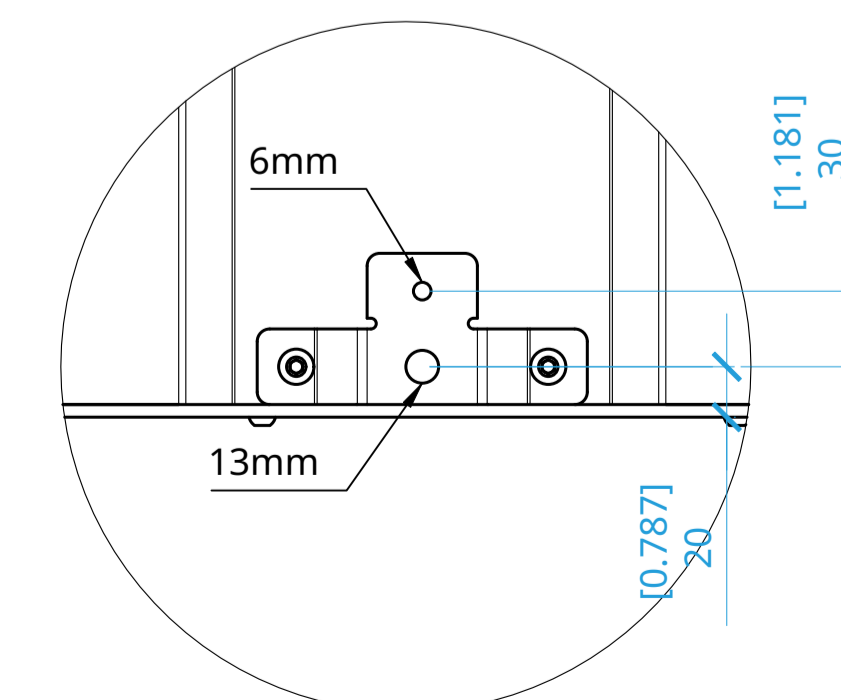
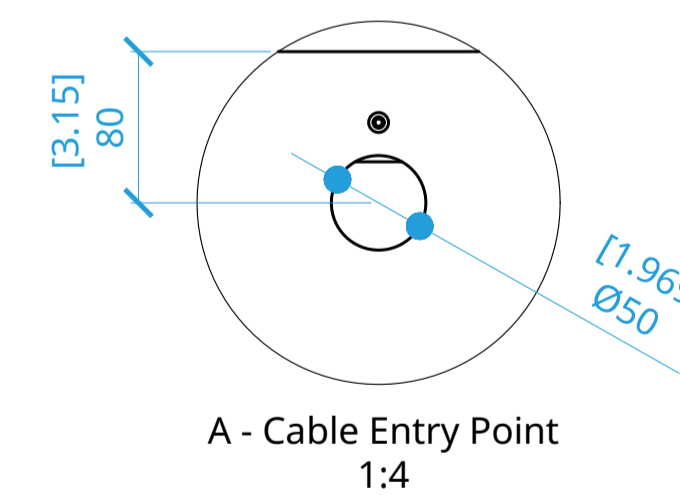
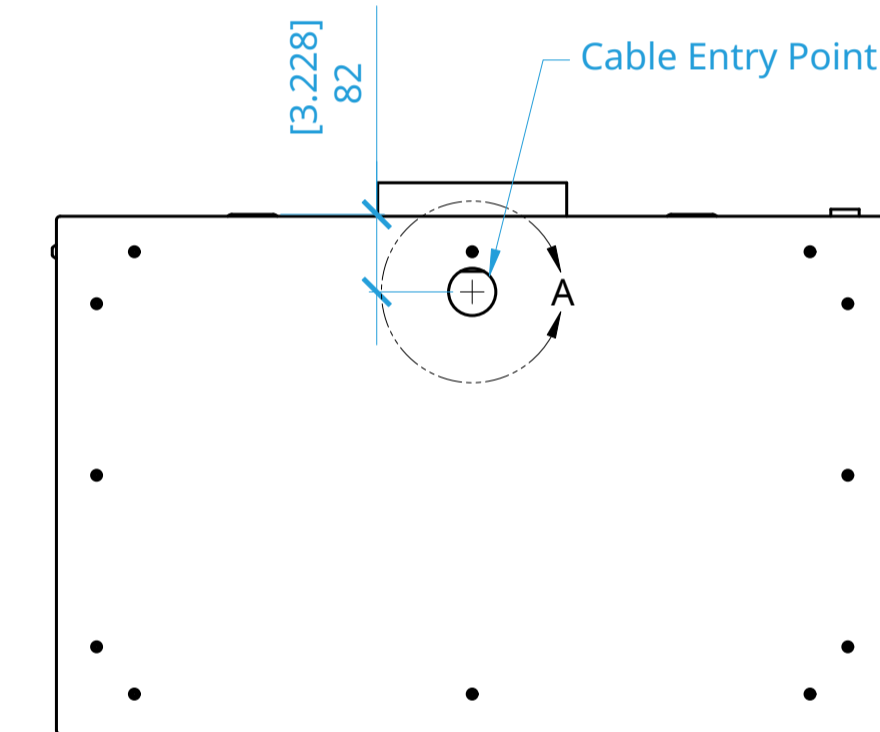
Right



Bottom



Top



NOTES:

- ALL DIMENSIONS ARE IN 'MM' UNLESS SPECIFIED IN "[x]".
- ANY HAZARD SYMBOLS ARE TO BE READ IN CONJUNCTION WITH ANY RISK ASSESSMENT IF NUMBERED.
- THIS DRAWING IS PROPERTY OF DISPLAY TECHNOLOGIES LTD & IS STRICTLY CONFIDENTIAL. THE DRAWING SPECIFICATION & ITS CONTENTS MUST NOT BE DISCLOSED TO ANY THIRD PARTY WITHOUT PRIOR CONSENT.
- DRAWING SCALE IS ANNOTATED ON EVERY VIEW. IF IN DOUBT - ASK THE DESIGNER.
- DISPLAY TECHNOLOGIES RESERVE THE RIGHT TO MAKE DESIGN ALTERNATIONS THROUGHOUT CONTINUOUS PRODUCT DEVELOPMENT - IS IT THE CLIENTS RESPONSIBILITY TO ENSURE THEY REQUEST THE LATEST DESIGN REVISION.

SYMBOLS:

- PROVIDES A REFERENCE NUMBER FOR ADDITIONAL NOTATION.
- HIGHLIGHTS SPECIFIC MANUFACTURING INFORMATION.
- HIGHLIGHTS A HAZARD & OR A RESIDUAL RISK ASSOCIATED WITH THE DESIGN RISK ASSESSMENT.

REV	DESCRIPTION	DATE	INITIALS
0	ORIGINAL ISSUE.	07.03.24	SR
DESIGNED	CHECKED	APPROVED	
S. Ridley	S. Ridley	S. Ridley	
07.03.24	07.03.24	07.03.24	

DRAWING STATUS

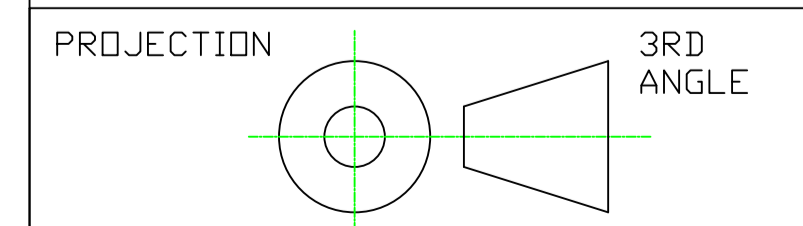
CLIENT ISSUE

TITLE

Detail Drawing

PART NUMBER

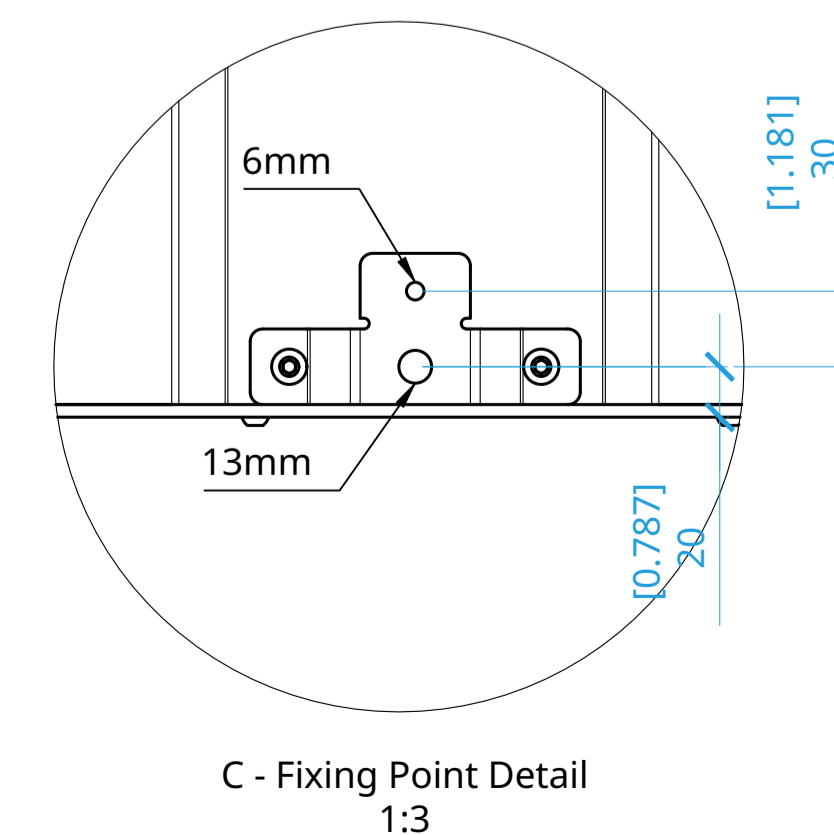
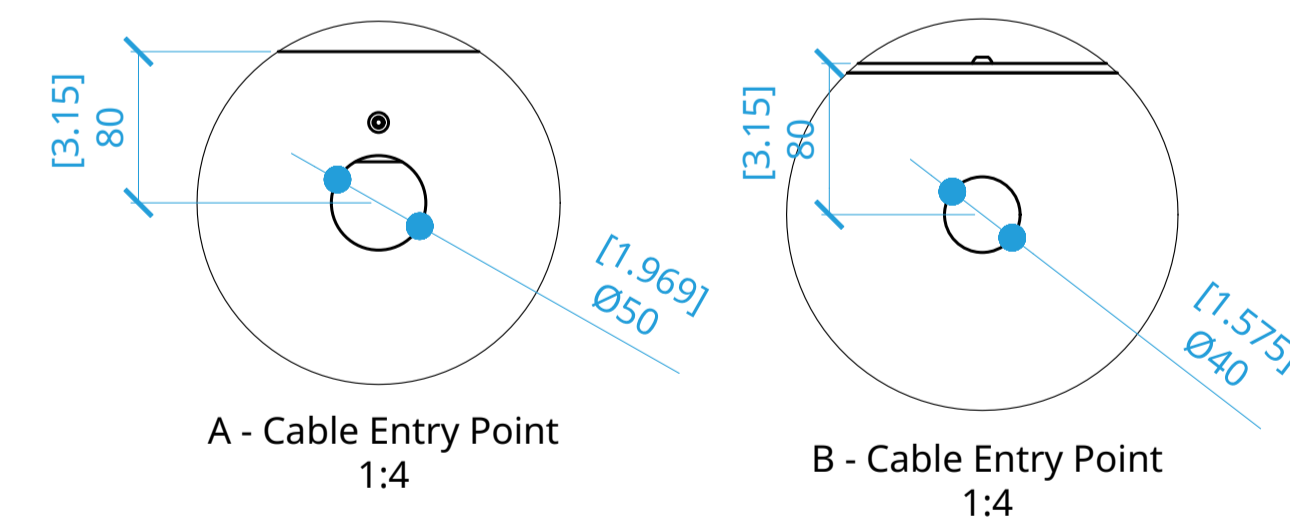
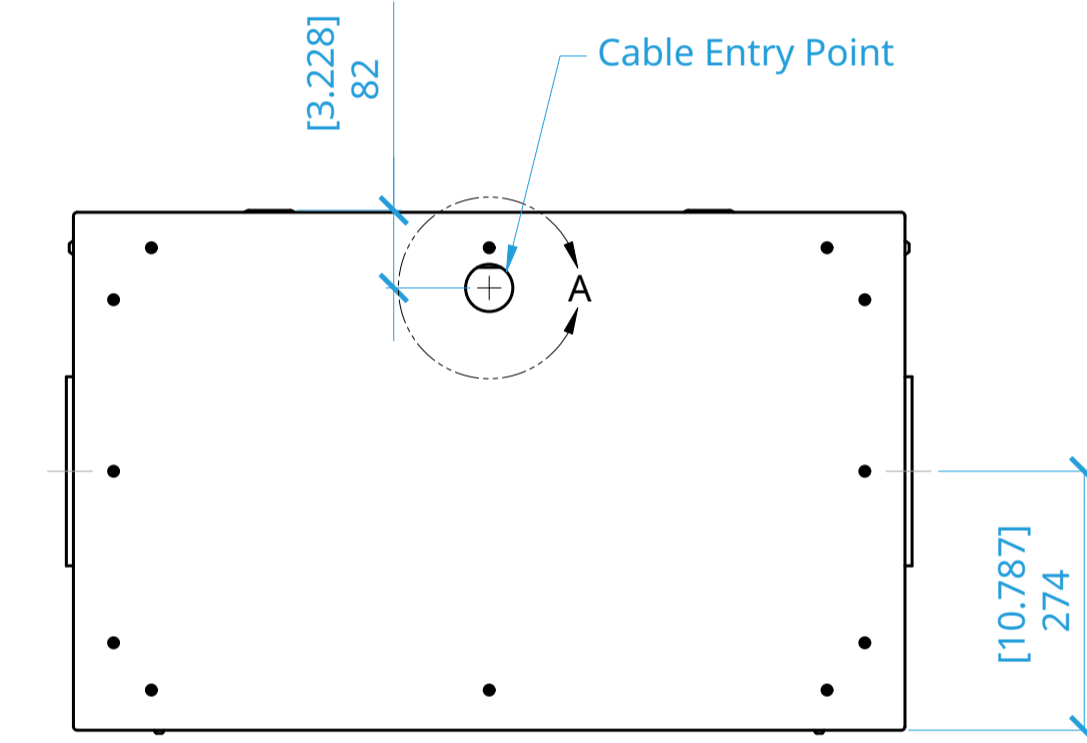
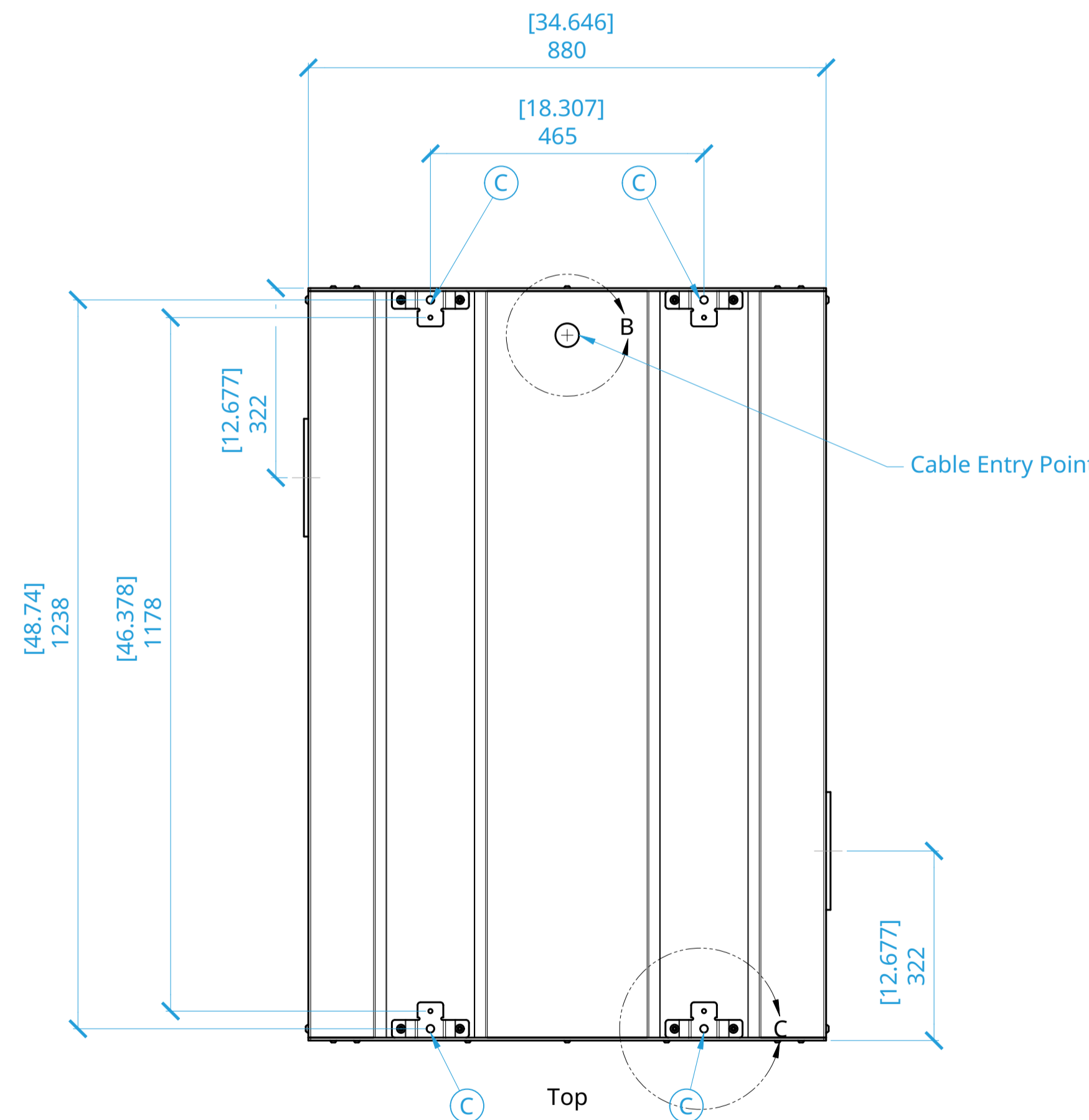
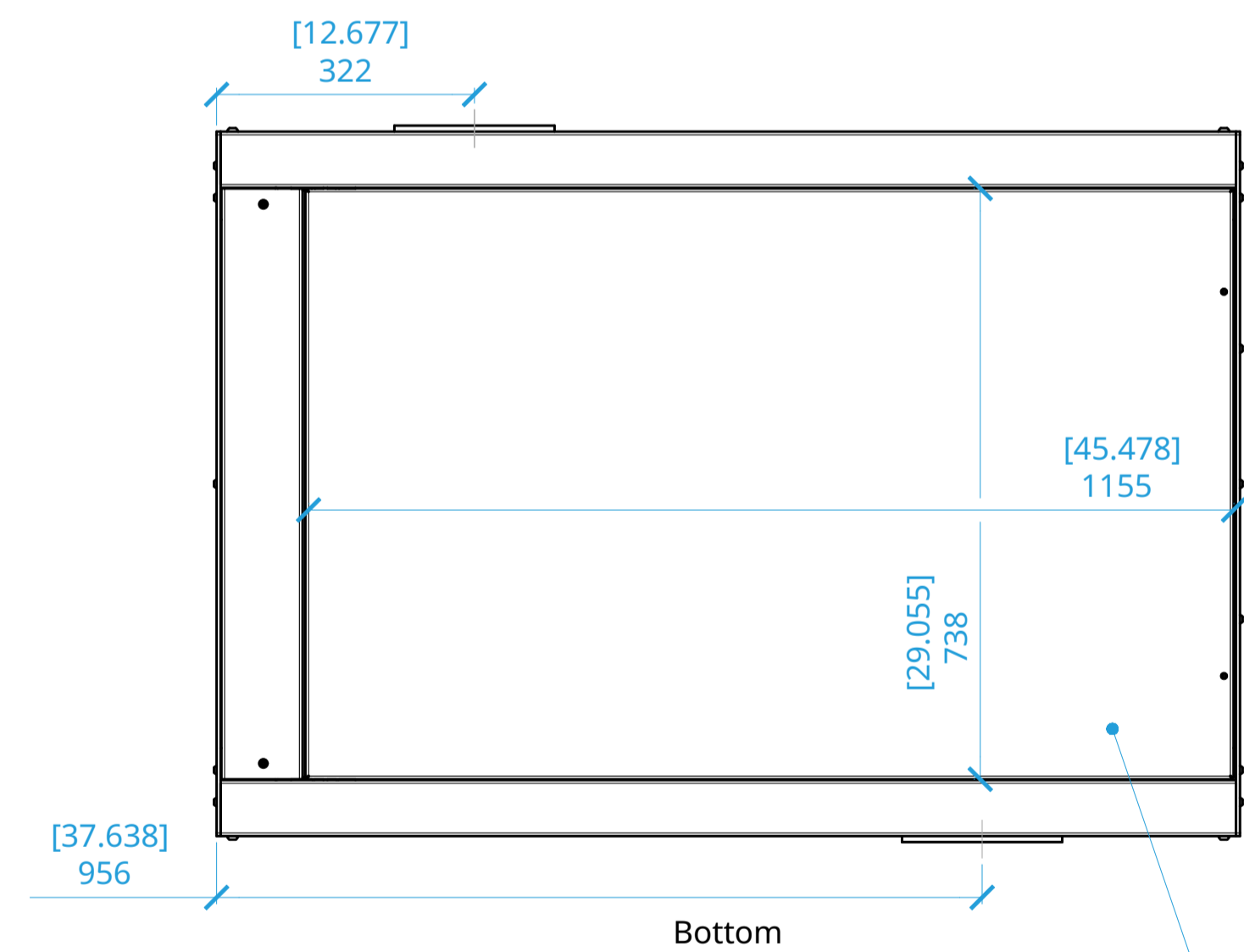
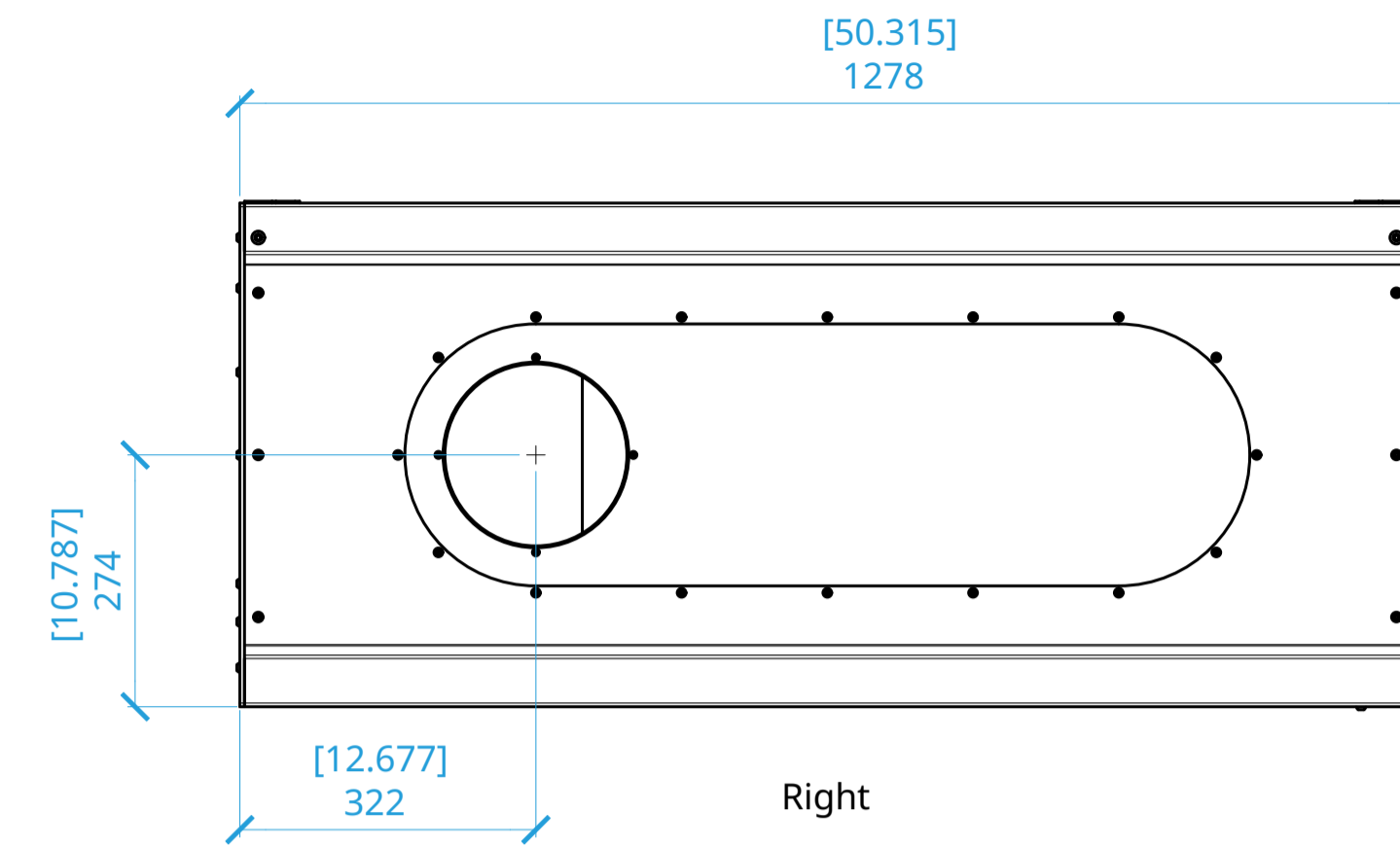
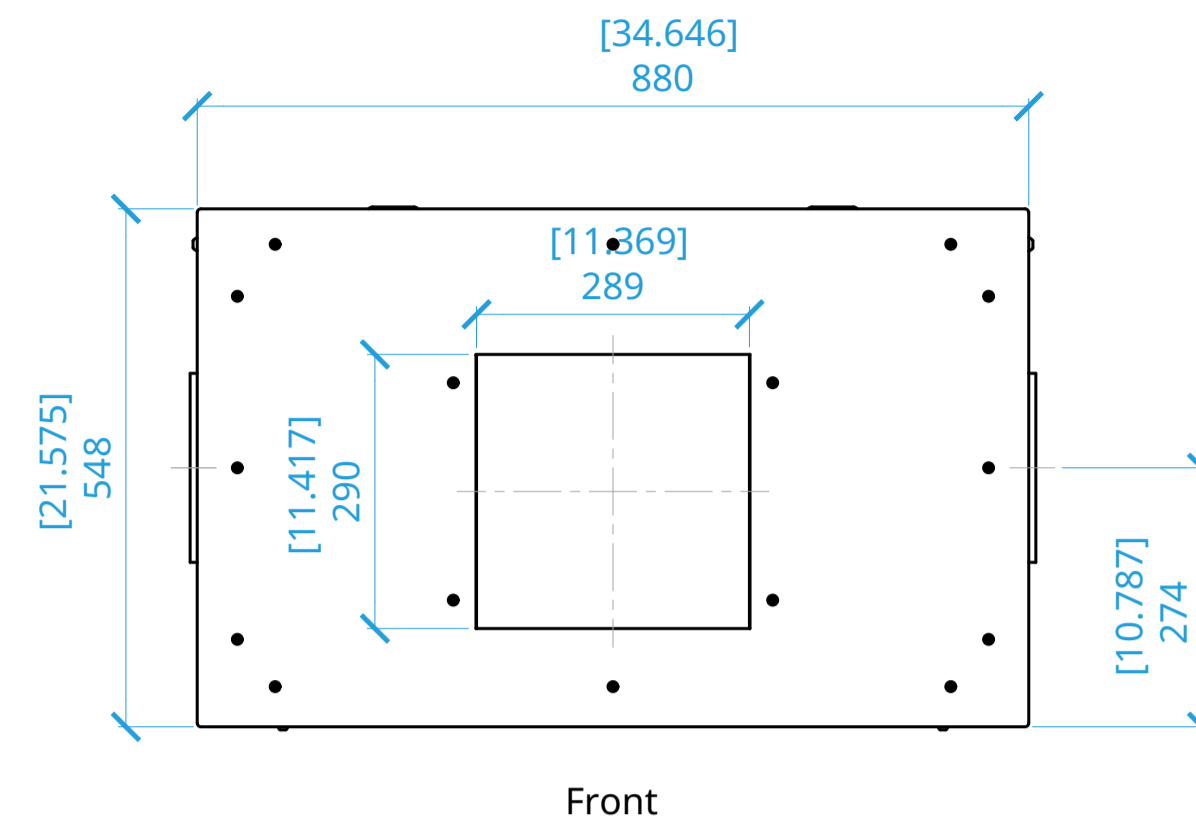
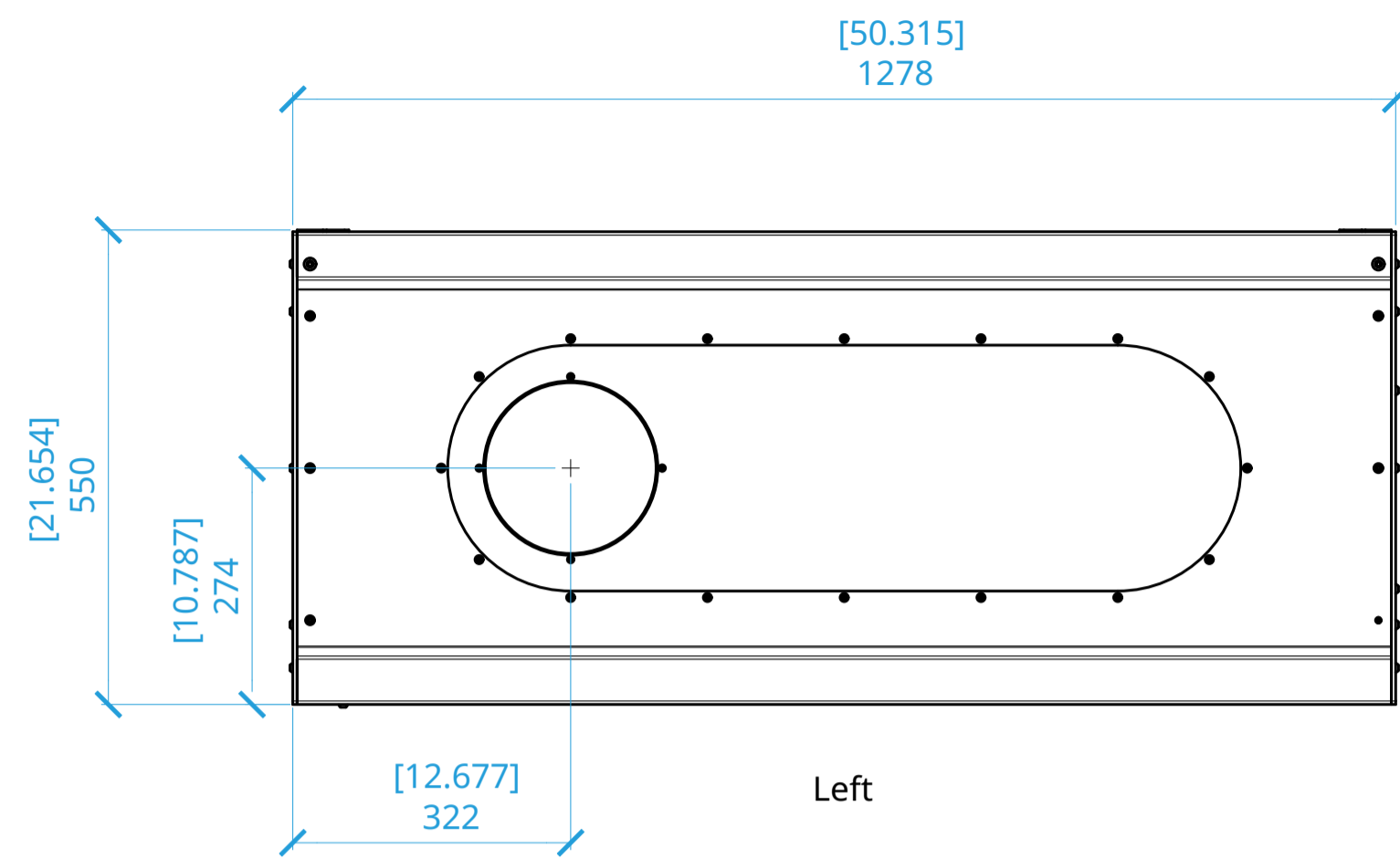
[DT-HB-M+]
[DT-HB-M+-B-200-T]



DRAWING No. DR-05	REV No. 0
----------------------	--------------

Configuration

Model	Colour	Duct Size (mm)	Duct Configuration	SKU
DT-HB-M+	B	200	T	DT-HB-M+-B-200-T



NOTES:

- ALL DIMENSIONS ARE IN 'MM' UNLESS SPECIFIED IN "[x]".
- ANY HAZARD SYMBOLS ARE TO BE READ IN CONJUNCTION WITH ANY RISK ASSESSMENT IF NUMBERED.
- THIS DRAWING IS PROPERTY OF DISPLAY TECHNOLOGIES LTD & IS STRICTLY CONFIDENTIAL. THE DRAWING SPECIFICATION & ITS CONTENTS MUST NOT BE DISCLOSED TO ANY THIRD PARTY WITHOUT PRIOR CONSENT.
- DRAWING SCALE IS ANNOTATED ON EVERY VIEW. IF IN DOUBT - ASK THE DESIGNER.
- DISPLAY TECHNOLOGIES RESERVE THE RIGHT TO MAKE DESIGN ALTERNATIONS THROUGHOUT CONTINUOUS PRODUCT DEVELOPMENT - IS IT THE CLIENTS RESPONSIBILITY TO ENSURE THEY REQUEST THE LATEST DESIGN REVISION.

SYMBOLS:

- PROVIDES A REFERENCE NUMBER FOR ADDITIONAL NOTATION.
- HIGHLIGHTS SPECIFIC MANUFACTURING INFORMATION.
- HIGHLIGHTS A HAZARD & OR A RESIDUAL RISK ASSOCIATED WITH THE DESIGN RISK ASSESSMENT.

REV	DESCRIPTION	DATE	INITIALS
0	ORIGINAL ISSUE.	07.03.24	SR

DESIGNED	CHECKED	APPROVED
S. Ridley	S. Ridley	S. Ridley
07.03.24	07.03.24	07.03.24

DRAWING STATUS

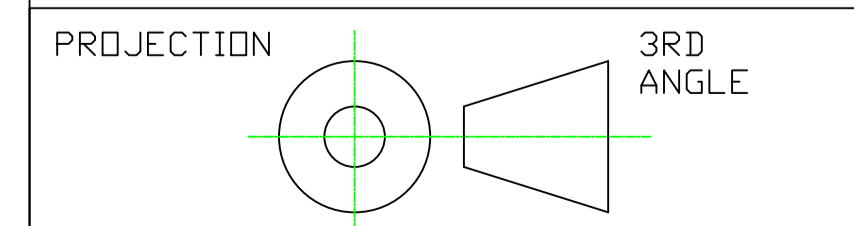
CLIENT ISSUE

TITLE

Detail Drawing

PART NUMBER

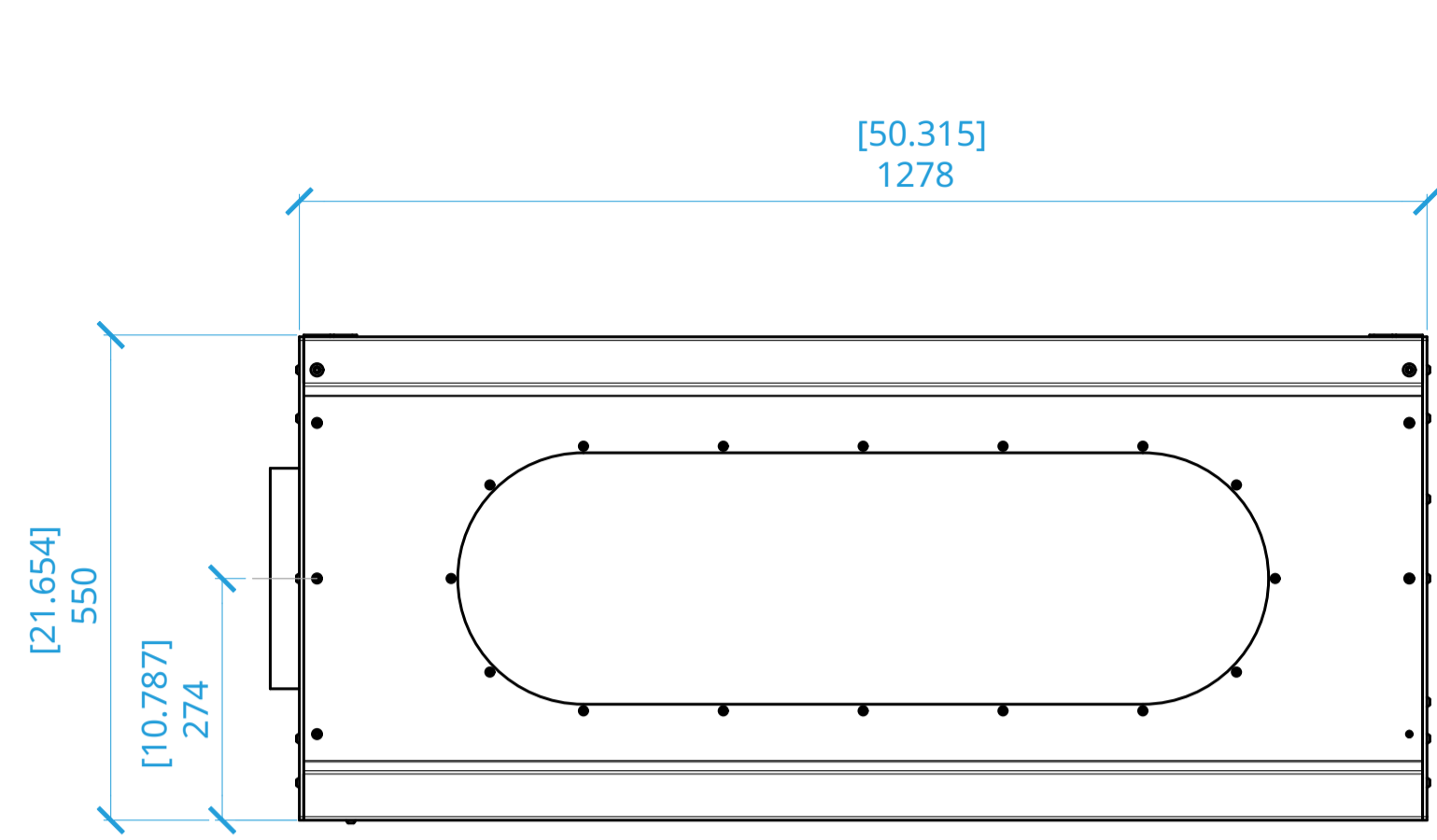
[DT-HB-M+]
[DT-HB-M+-B-200-S]



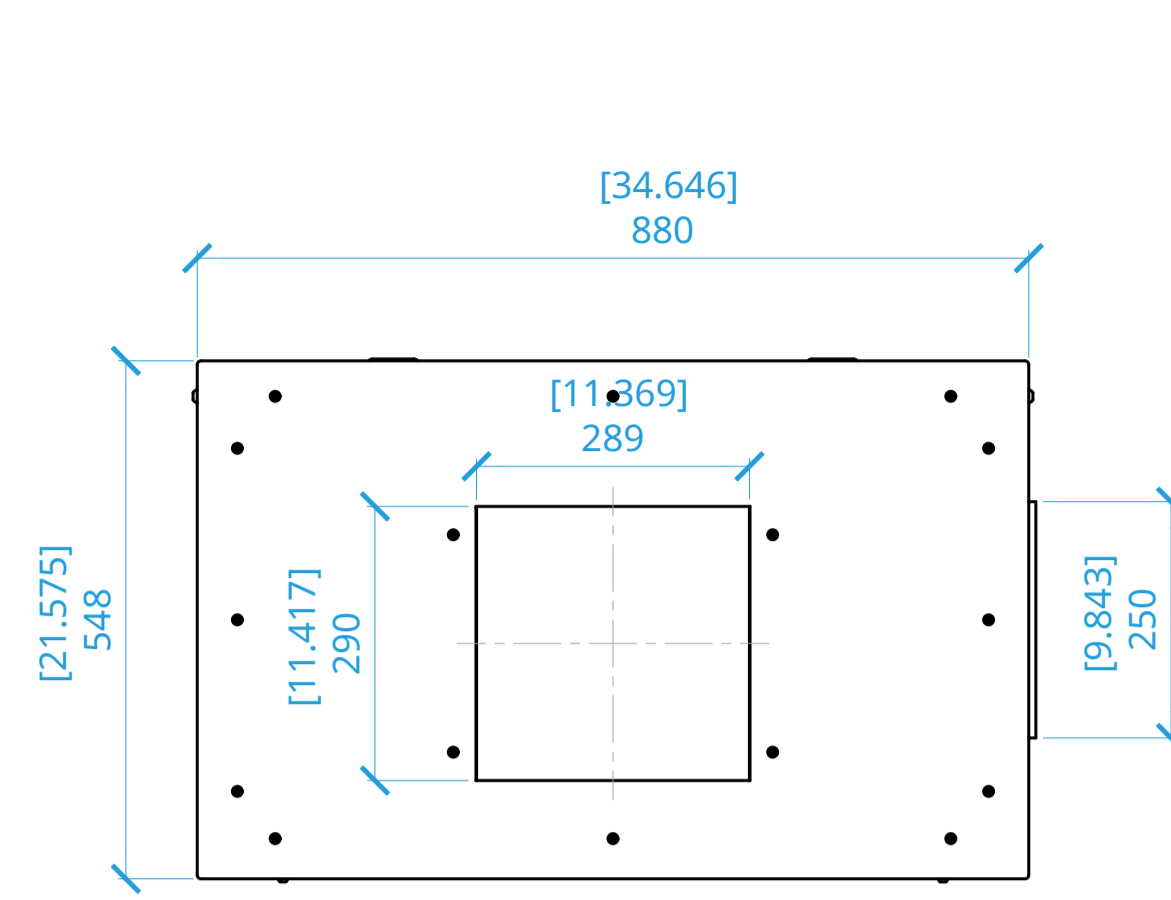
DRAWING No. DR-06	REV No. 0
----------------------	--------------

Configuration

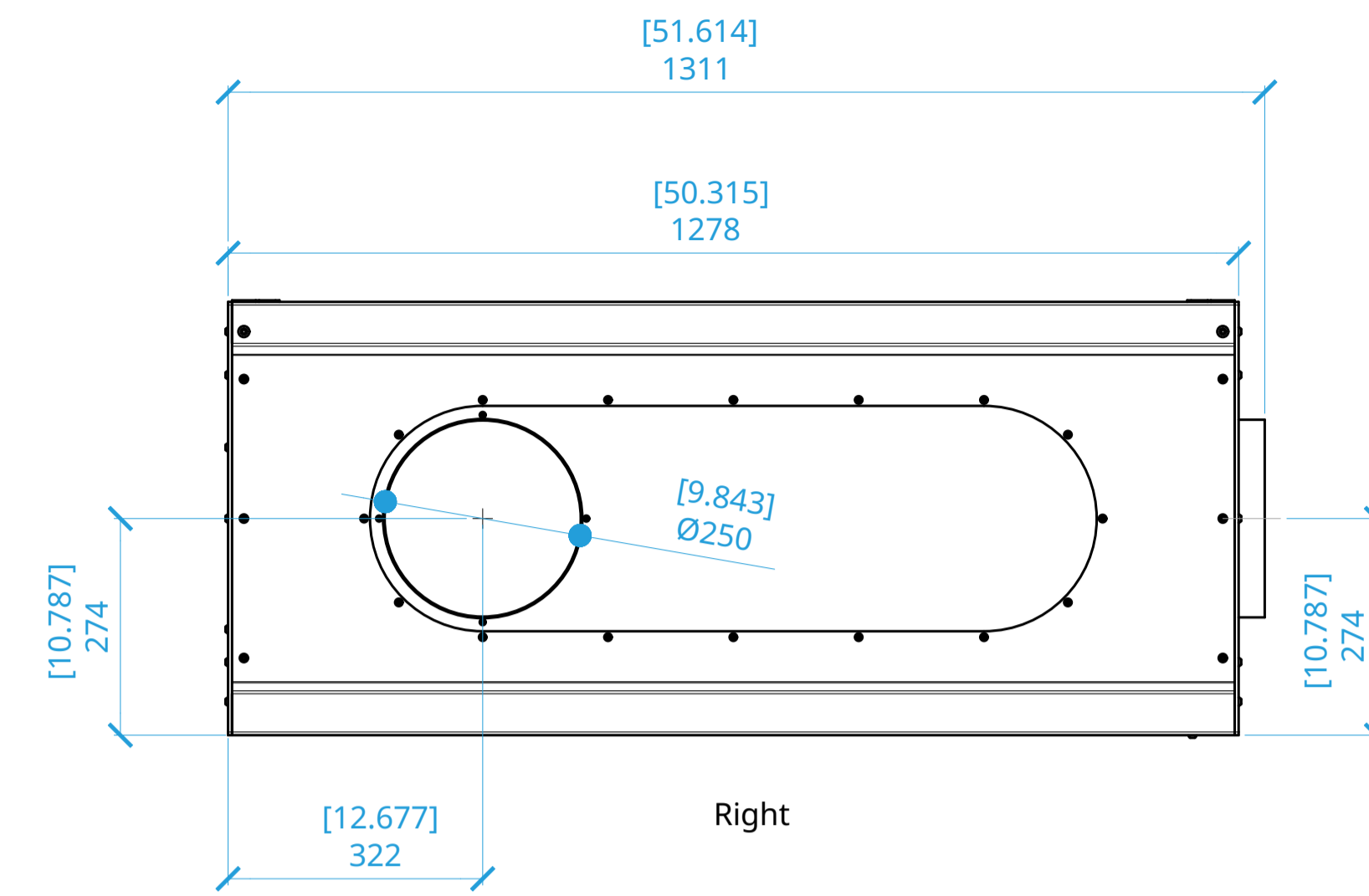
Model	Colour	Duct Size (mm)	Duct Configuration	SKU
DT-HB-M+	B	200	S	DT-HB-M+-B-200-S



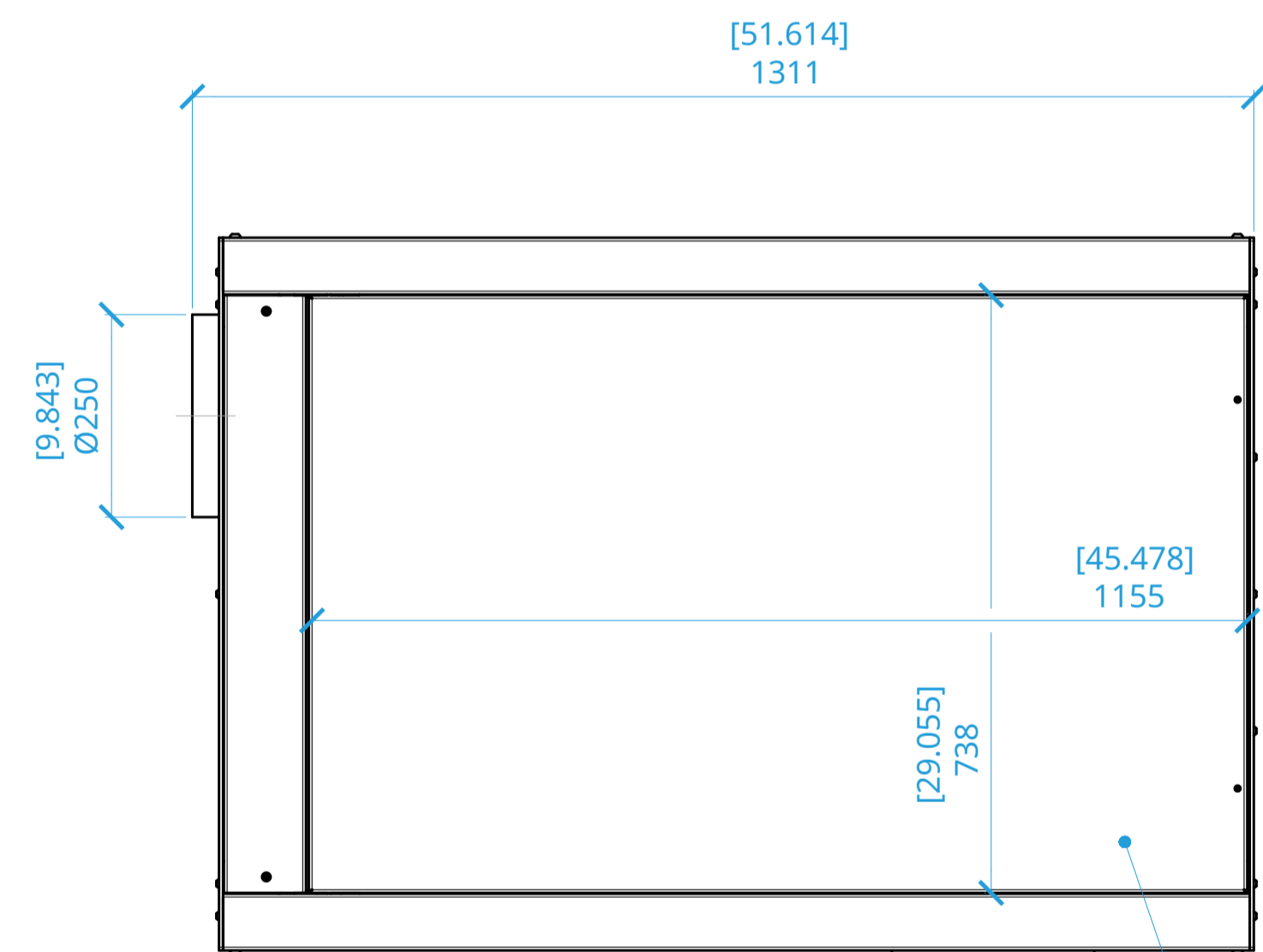
Left



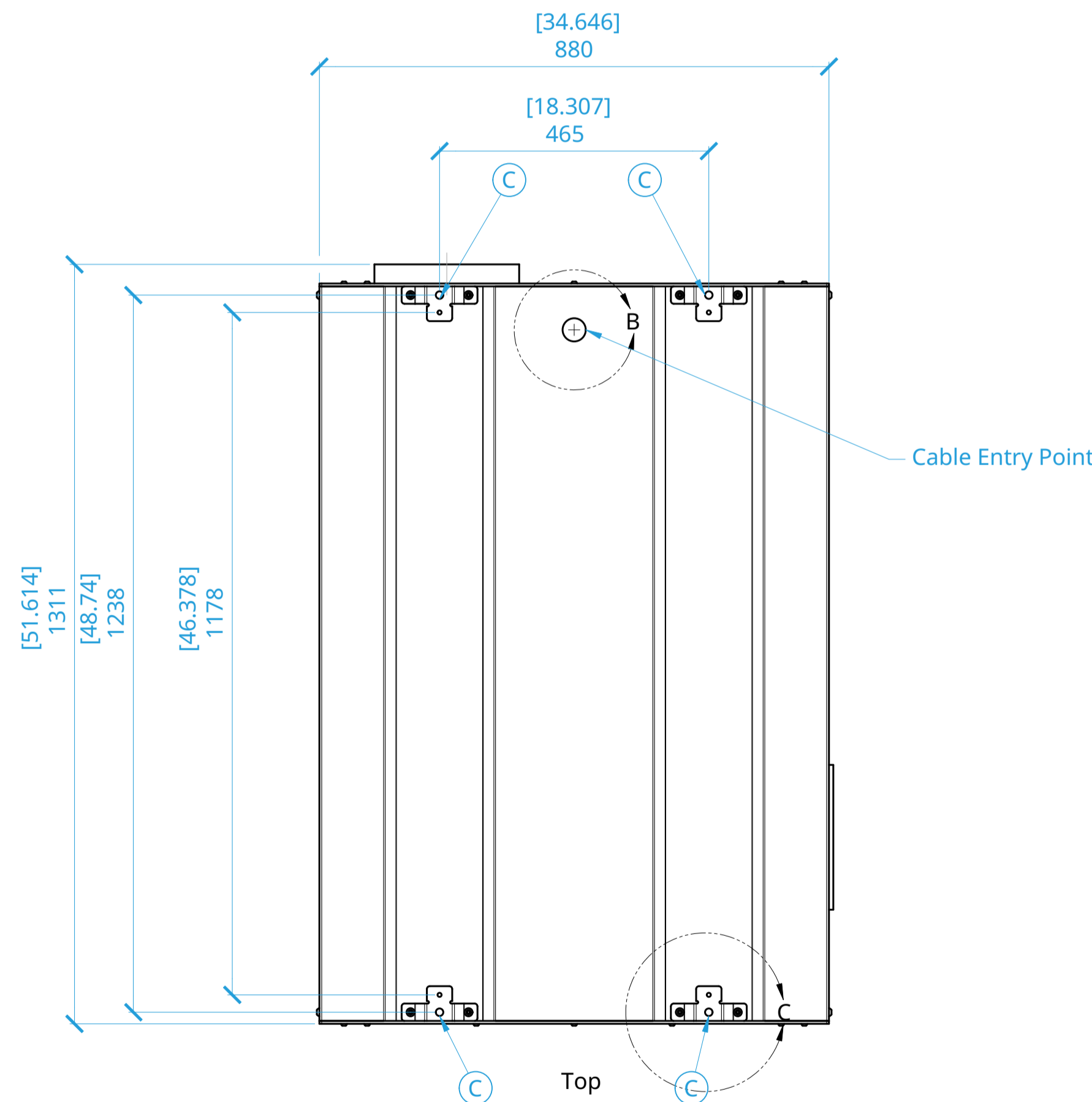
Front



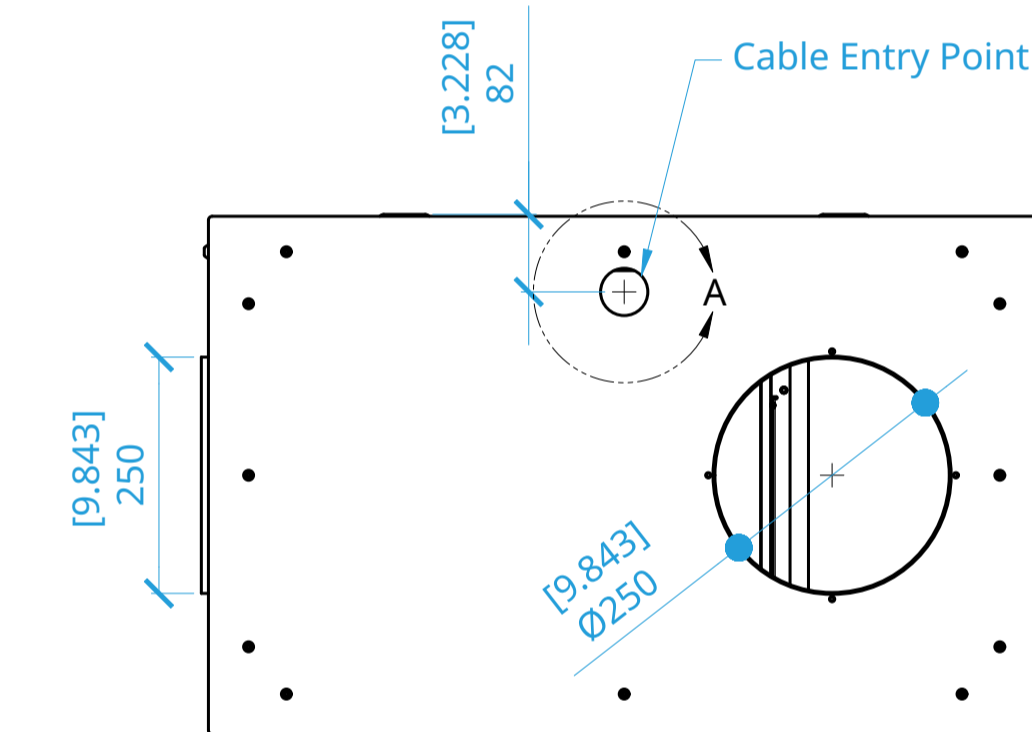
Right



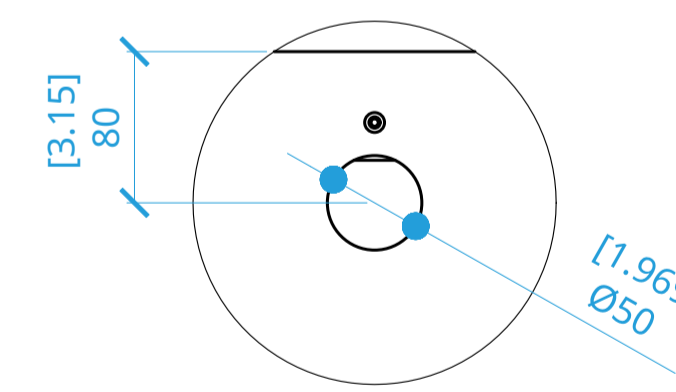
Bottom



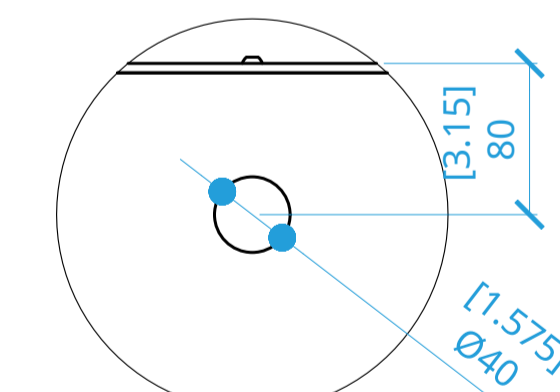
Top



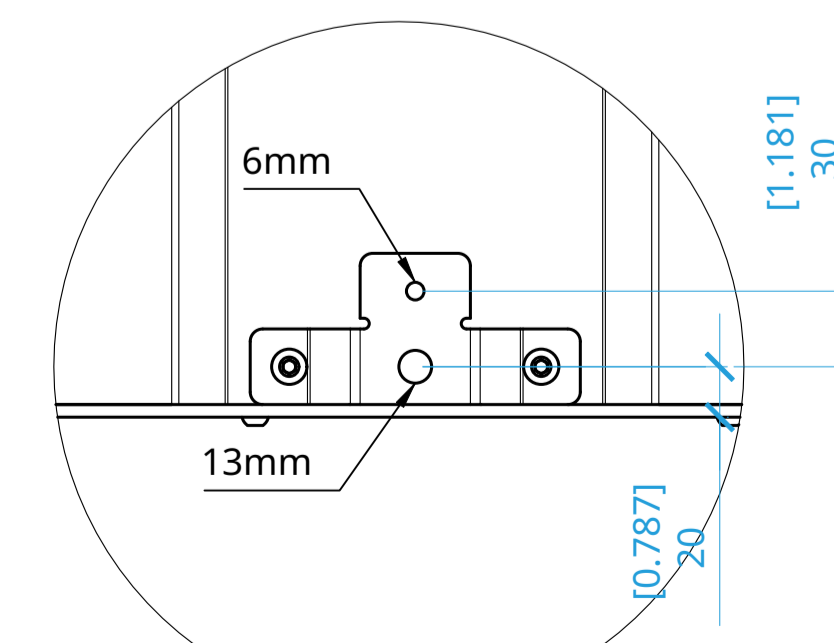
Cable Entry Point



A - Cable Entry Point
1:4



B - Cable Entry Point
1:4



C - Fixing Point Detail
1:3

NOTES:

- ALL DIMENSIONS ARE IN 'MM' UNLESS SPECIFIED IN "[x]".
- ANY HAZARD SYMBOLS ARE TO BE READ IN CONJUNCTION WITH ANY RISK ASSESSMENT IF NUMBERED.
- THIS DRAWING IS PROPERTY OF DISPLAY TECHNOLOGIES LTD & IS STRICTLY CONFIDENTIAL. THE DRAWING SPECIFICATION & ITS CONTENTS MUST NOT BE DISCLOSED TO ANY THIRD PARTY WITHOUT PRIOR CONSENT.
- DRAWING SCALE IS ANNOTATED ON EVERY VIEW. IF IN DOUBT - ASK THE DESIGNER.
- DISPLAY TECHNOLOGIES RESERVE THE RIGHT TO MAKE DESIGN ALTERNATIONS THROUGHOUT CONTINUOUS PRODUCT DEVELOPMENT - IS IT THE CLIENTS RESPONSIBILITY TO ENSURE THEY REQUEST THE LATEST DESIGN REVISION.

SYMBOLS:

- PROVIDES A REFERENCE NUMBER FOR ADDITIONAL NOTATION.
- HIGHLIGHTS SPECIFIC MANUFACTURING INFORMATION.
- HIGHLIGHTS A HAZARD & OR A RESIDUAL RISK ASSOCIATED WITH THE DESIGN RISK ASSESSMENT.

REV	DESCRIPTION	DATE	INITIALS
0	ORIGINAL ISSUE.	07.03.24	SR

DESIGNED	CHECKED	APPROVED
S. Ridley	S. Ridley	S. Ridley
07.03.24	07.03.24	07.03.24

DRAWING STATUS

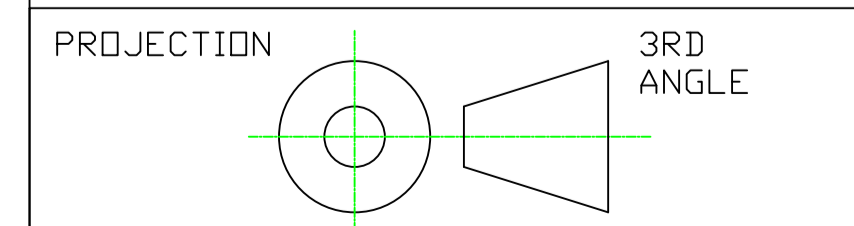
CLIENT ISSUE

TITLE

Detail Drawing

PART NUMBER

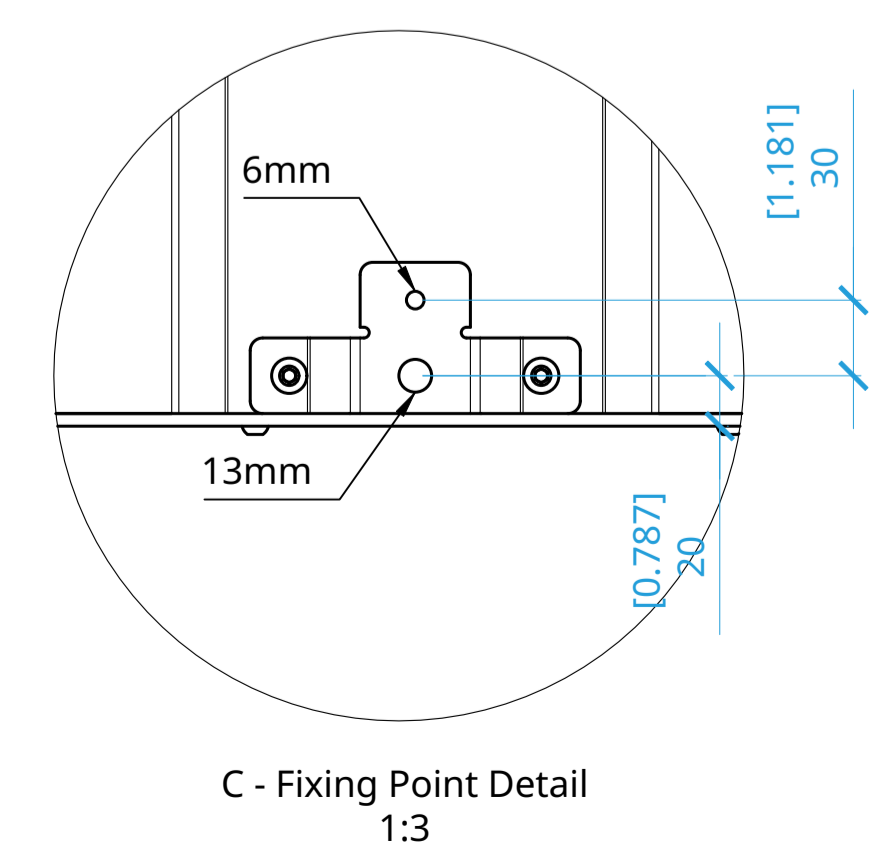
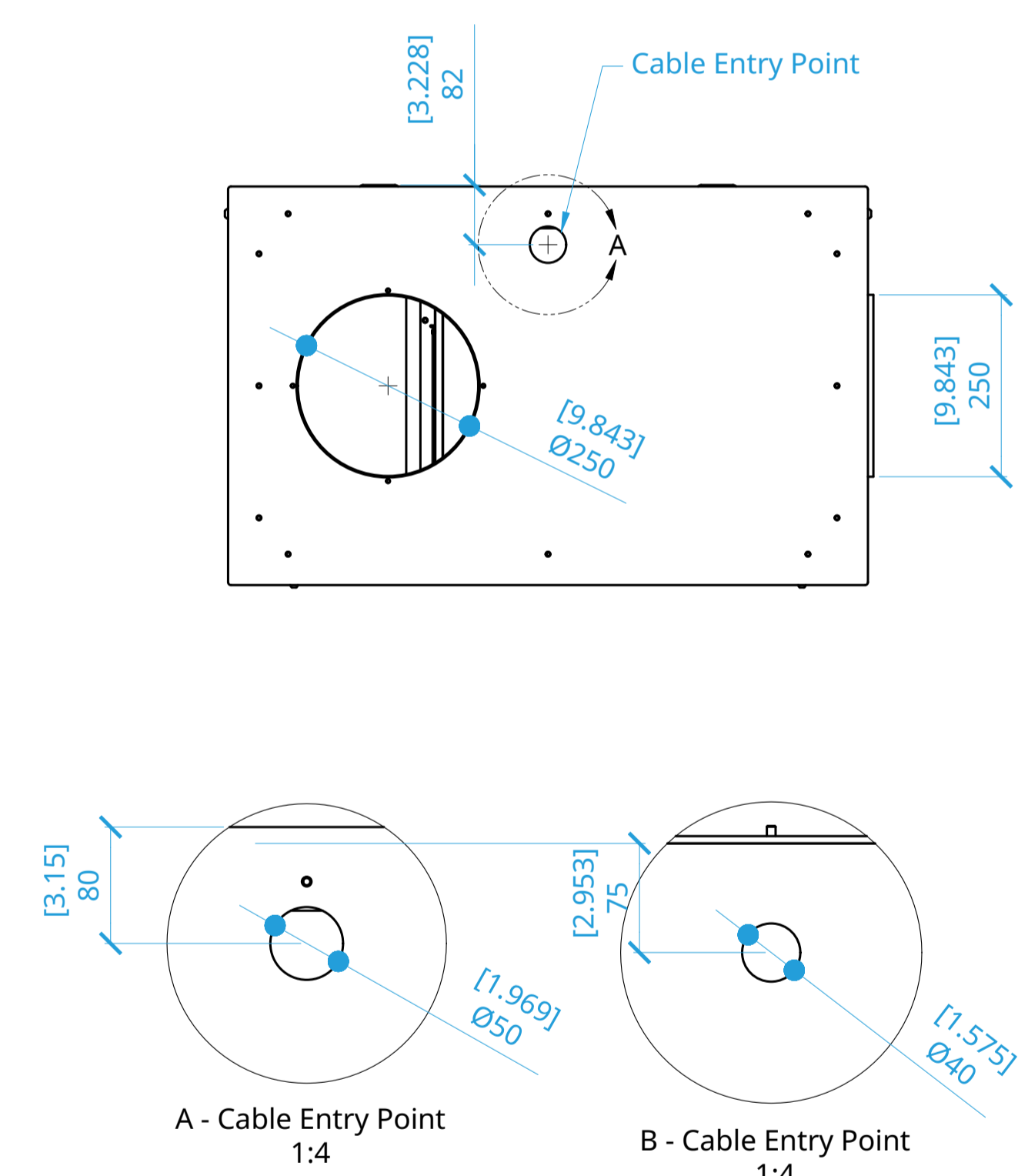
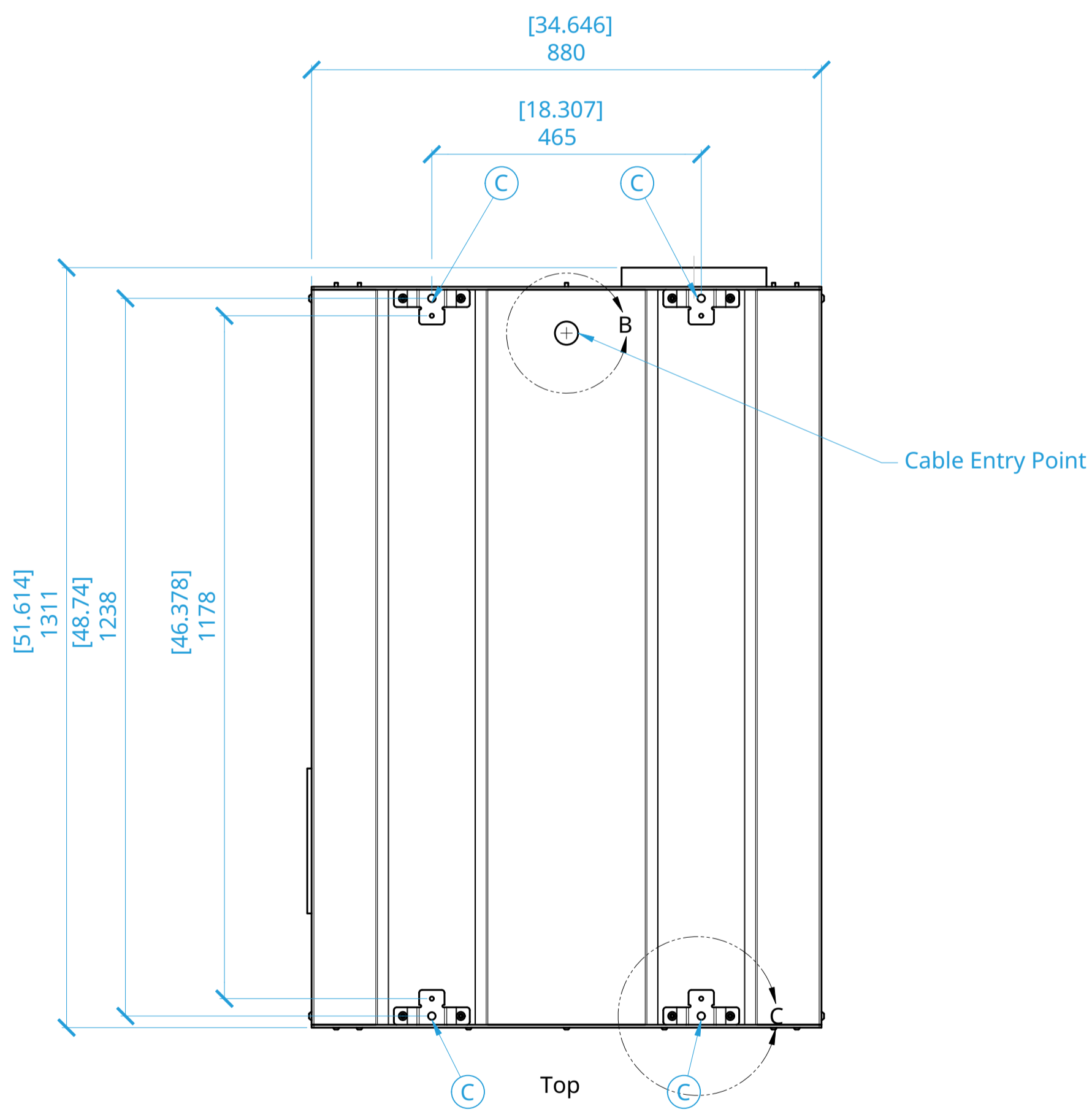
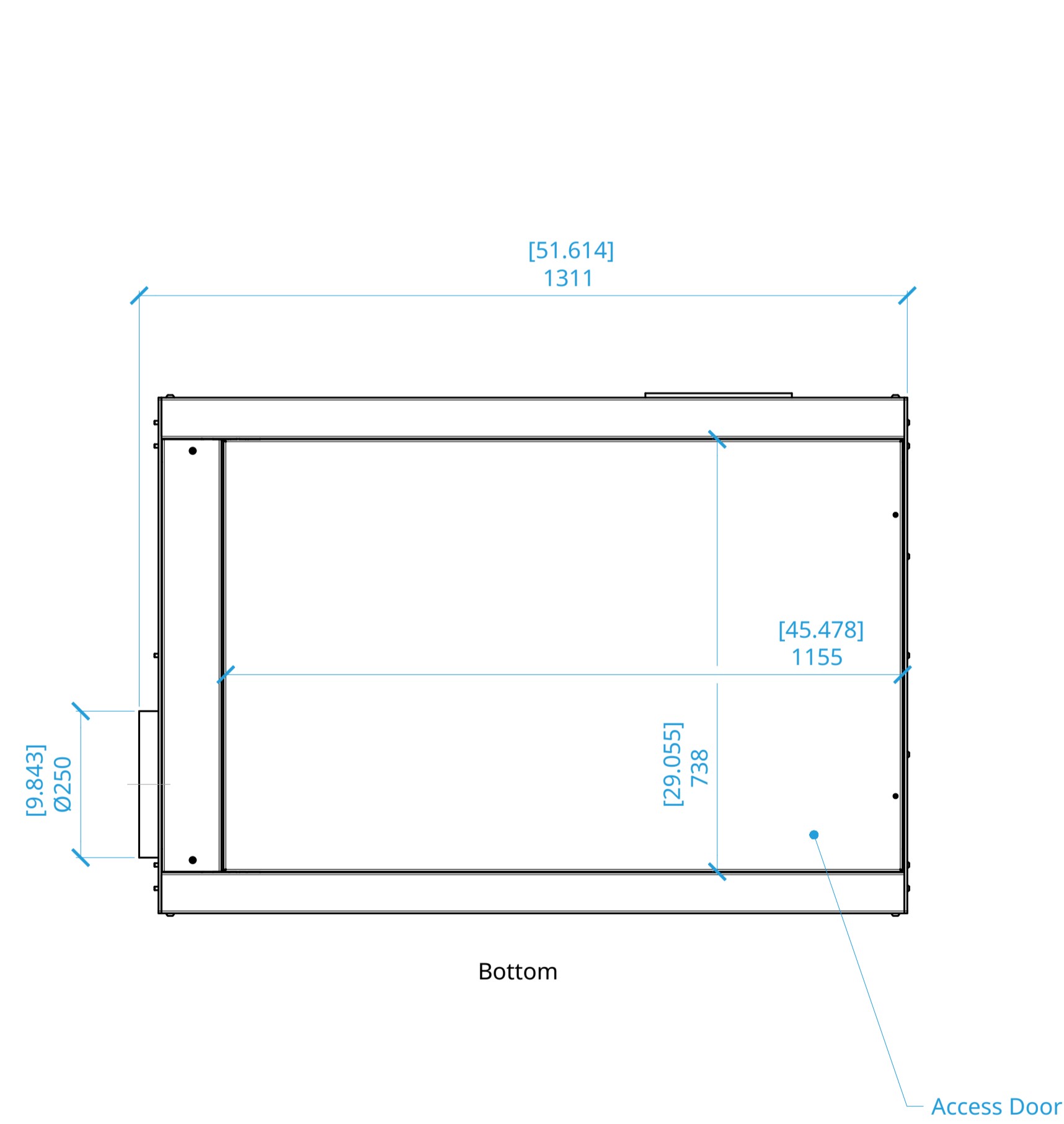
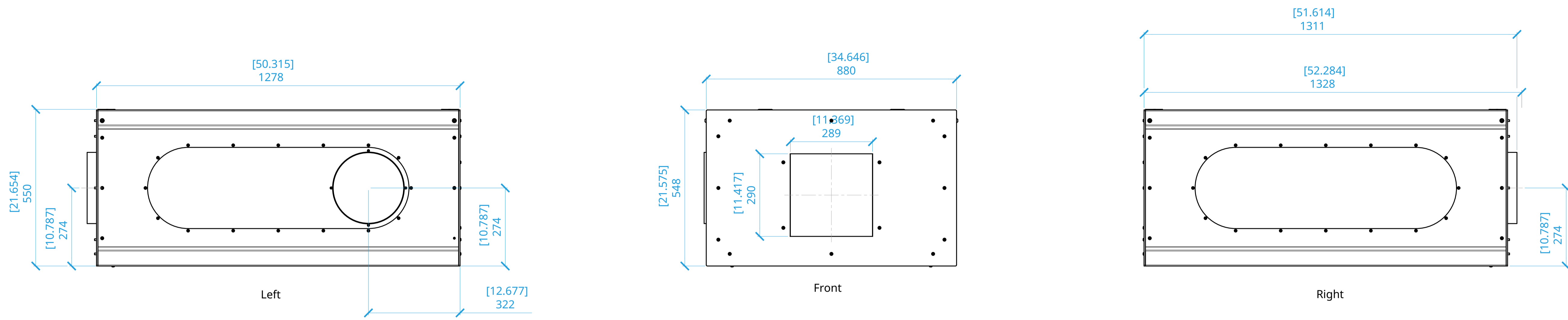
[DT-HB-M+]
[DT-HB-M+-B-250-L]



DRAWING No. DR-07	REV No. 0
----------------------	--------------

Configuration

Model	Colour	Duct Size (mm)	Duct Configuration	SKU
DT-HB-M+	B	250	L	DT-HB-M+-B-200-L



- NOTES:
- ALL DIMENSIONS ARE IN 'MM' UNLESS SPECIFIED IN "[x]".
 - ANY HAZARD SYMBOLS ARE TO BE READ IN CONJUNCTION WITH ANY RISK ASSESSMENT IF NUMBERED.
 - THIS DRAWING IS PROPERTY OF DISPLAY TECHNOLOGIES LTD & IS STRICTLY CONFIDENTIAL. THE DRAWING SPECIFICATION & ITS CONTENTS MUST NOT BE DISCLOSED TO ANY THIRD PARTY WITHOUT PRIOR CONSENT.
 - DRAWING SCALE IS ANNOTATED ON EVERY VIEW. IF IN DOUBT - ASK THE DESIGNER.
 - DISPLAY TECHNOLOGIES RESERVE THE RIGHT TO MAKE DESIGN ALTERNATIONS THROUGHOUT CONTINUOUS PRODUCT DEVELOPMENT - IS IT THE CLIENTS RESPONSIBILITY TO ENSURE THEY REQUEST THE LATEST DESIGN REVISION.

- SYMBOLS:
- PROVIDES A REFERENCE NUMBER FOR ADDITIONAL NOTATION.
 - HIGHLIGHTS SPECIFIC MANUFACTURING INFORMATION.
 - HIGHLIGHTS A HAZARD & OR A RESIDUAL RISK ASSOCIATED WITH THE DESIGN RISK ASSESSMENT.

REV	DESCRIPTION	DATE	INITIALS
0	ORIGINAL ISSUE.	07.03.24	SR

DESIGNED	CHECKED	APPROVED
S. Ridley	S. Ridley	S. Ridley
07.03.24	07.03.24	07.03.24

DRAWING STATUS

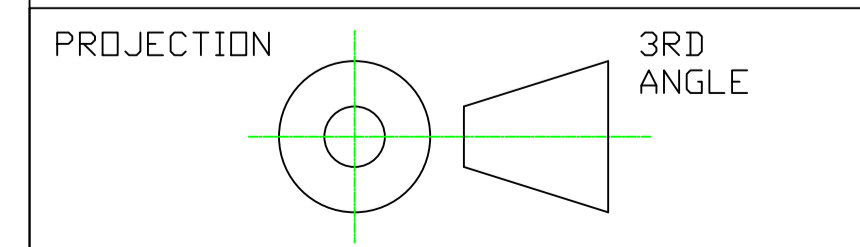
CLIENT ISSUE

TITLE

Detail Drawing

PART NUMBER

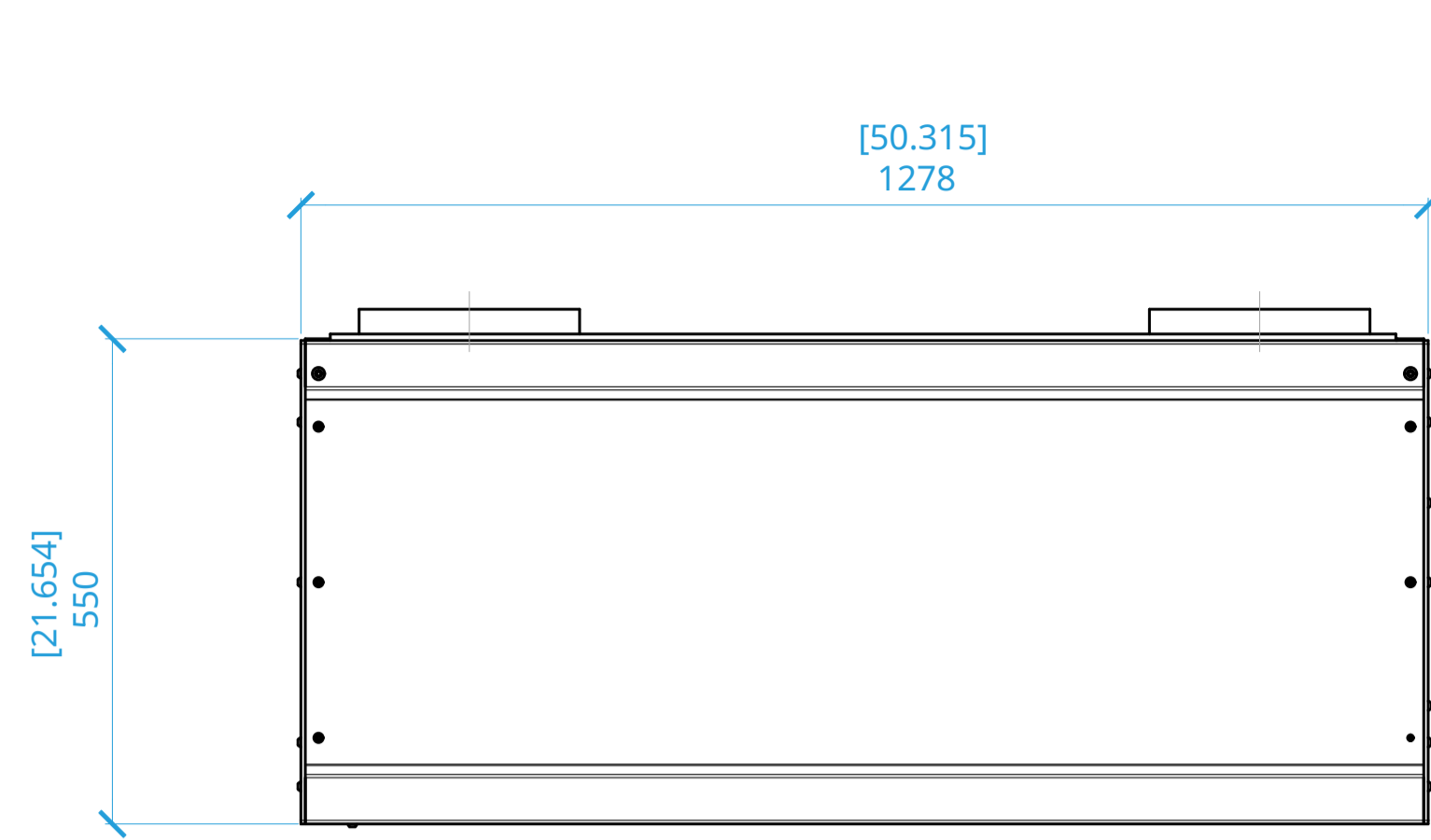
[DT-HB-M+]
[DT-HB-M+-B-250-R]



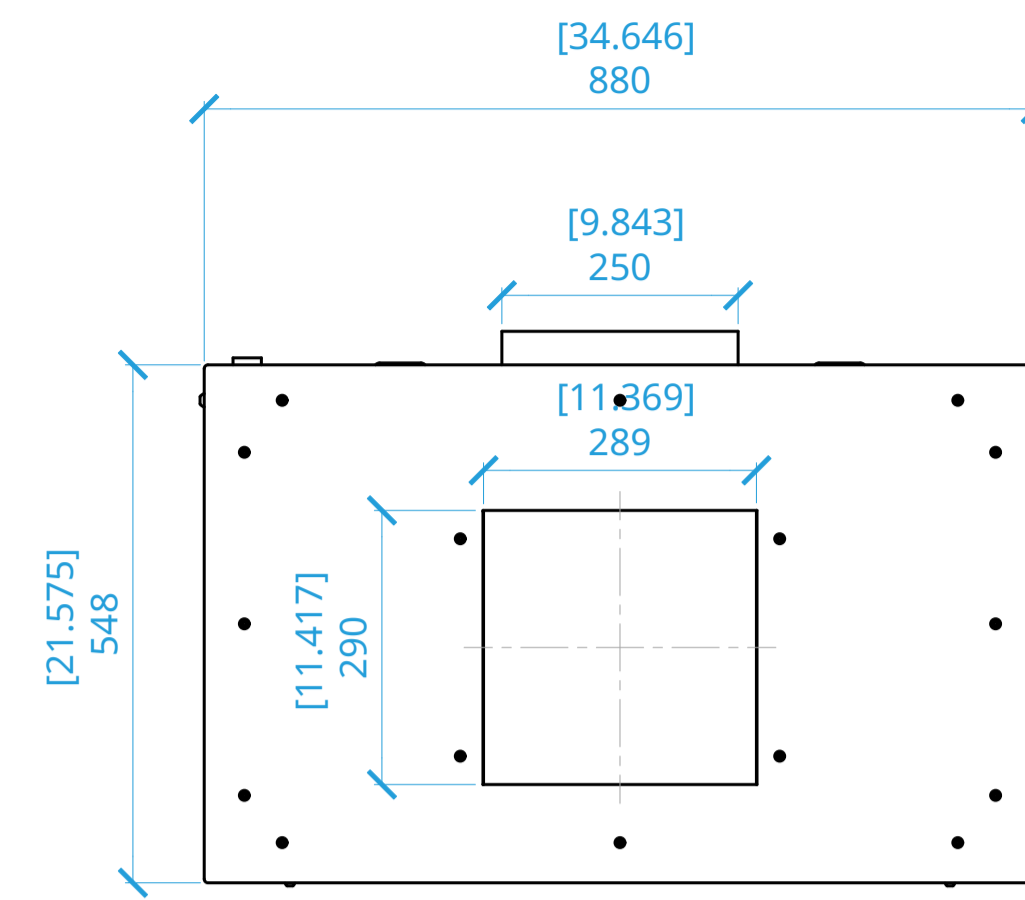
DRAWING No. DR-08 REV No. 0

Configuration

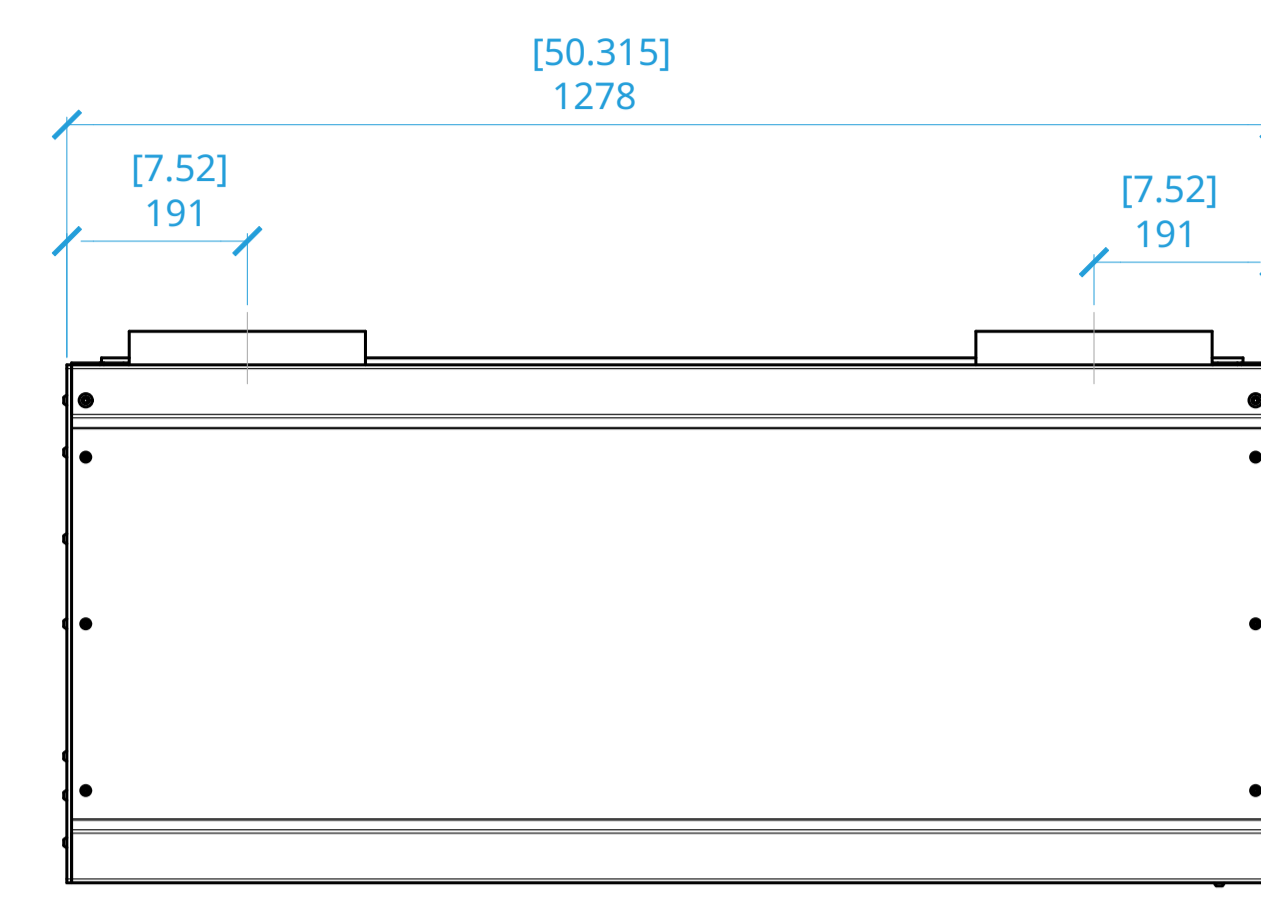
Model	Colour	Duct Size (mm)	Duct Configuration	SKU
DT-HB-M+	B	250	R	DT-HB-M+-B-250-R



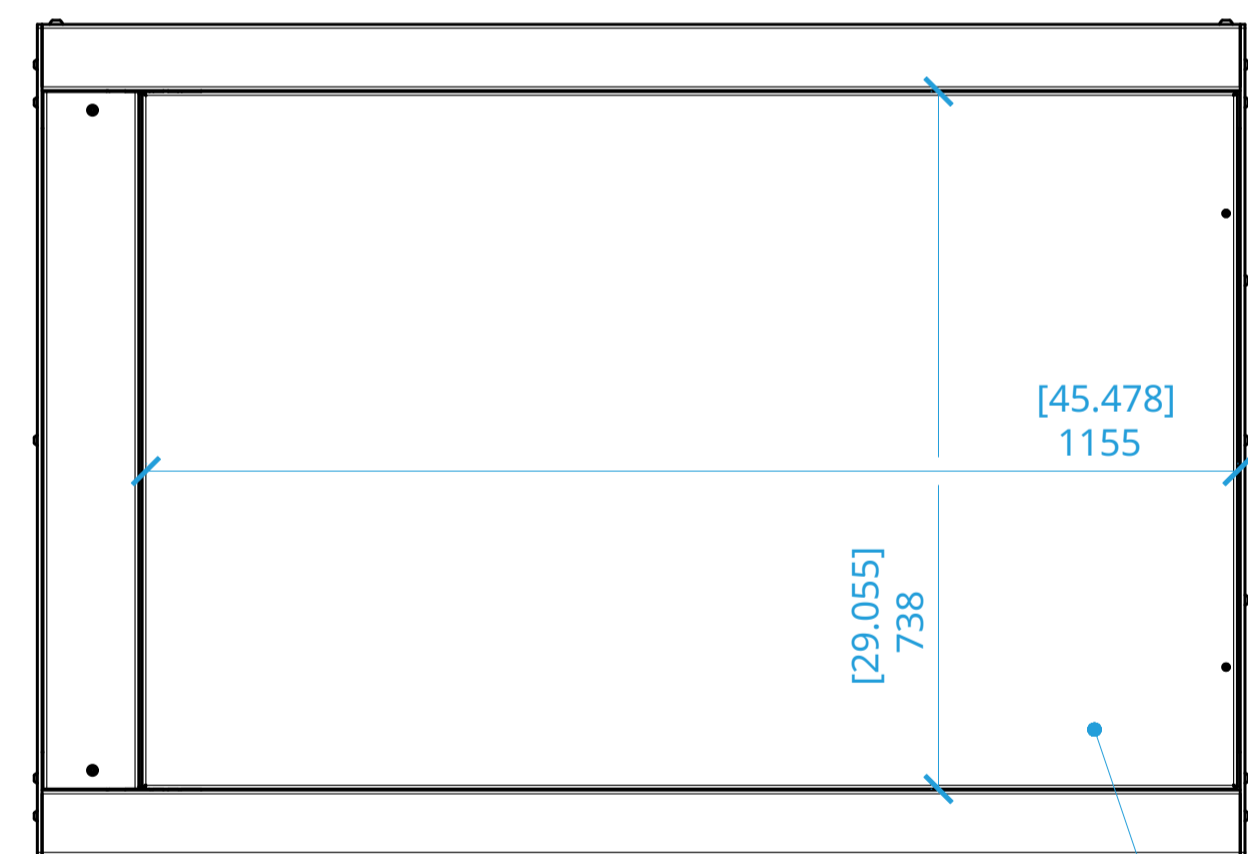
Left



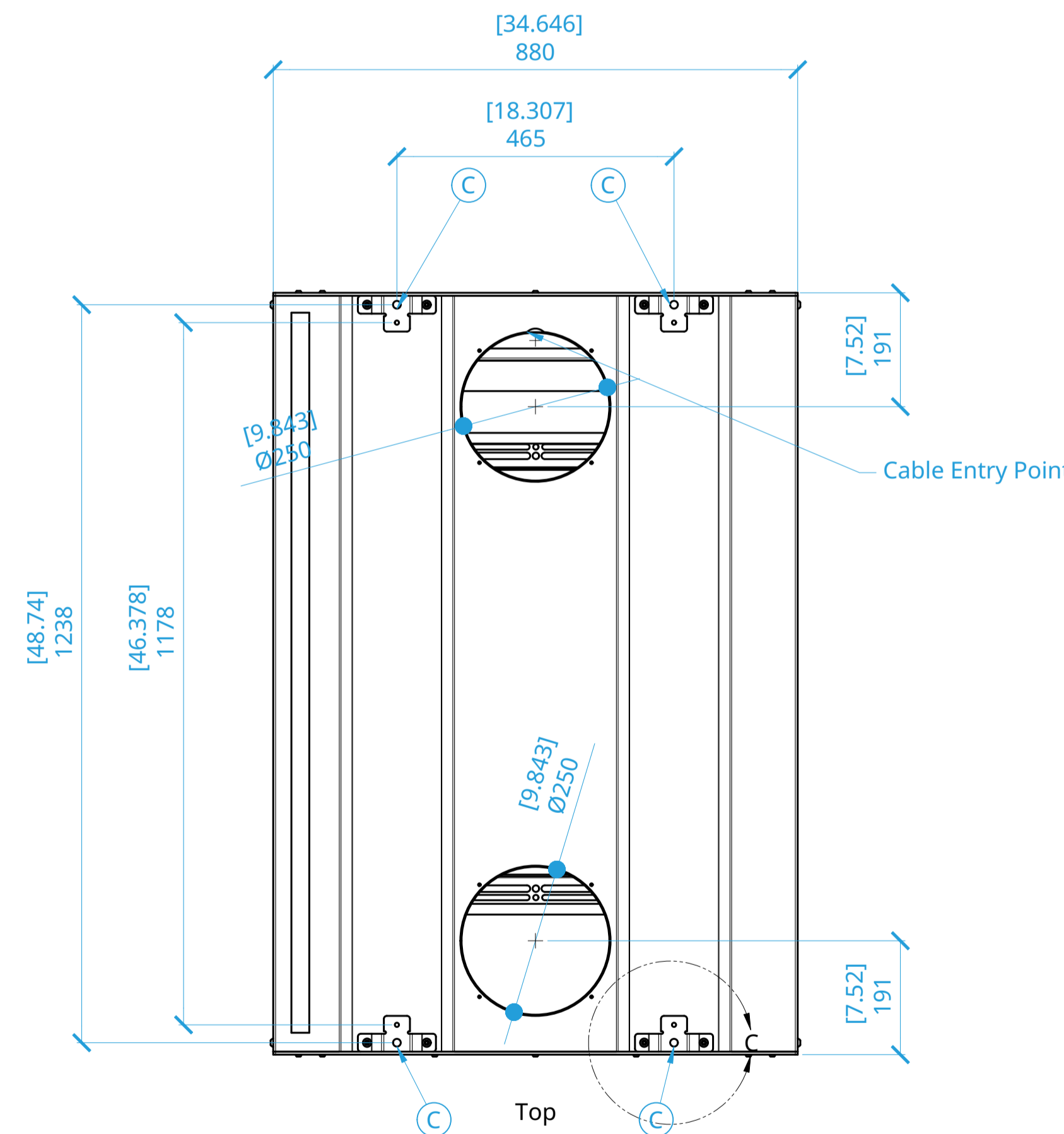
Front



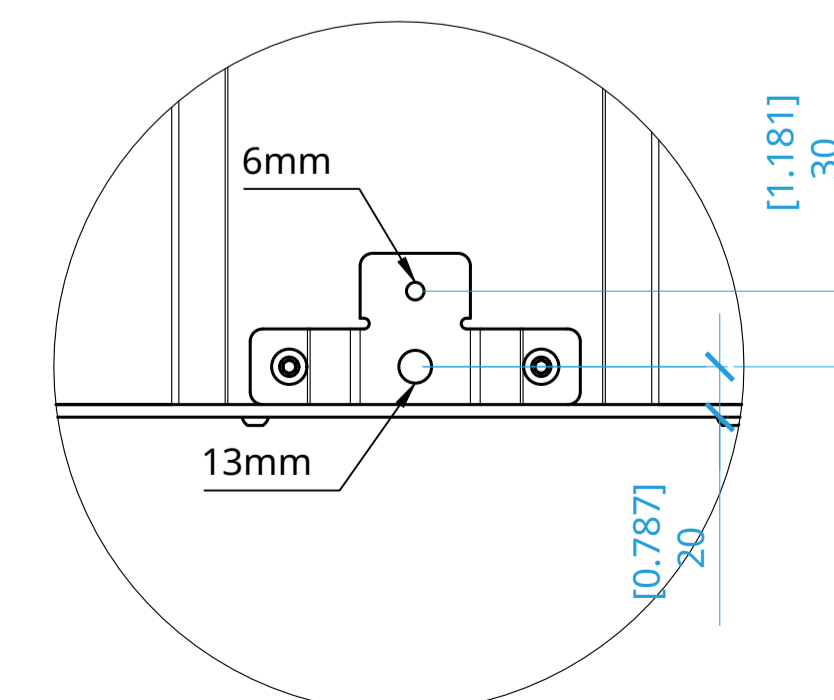
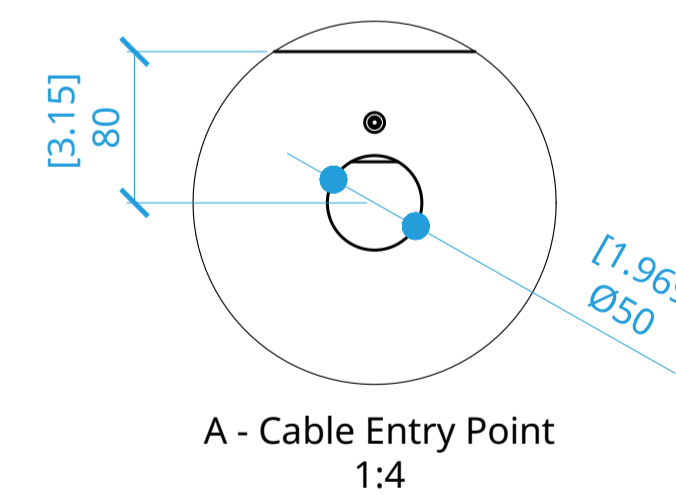
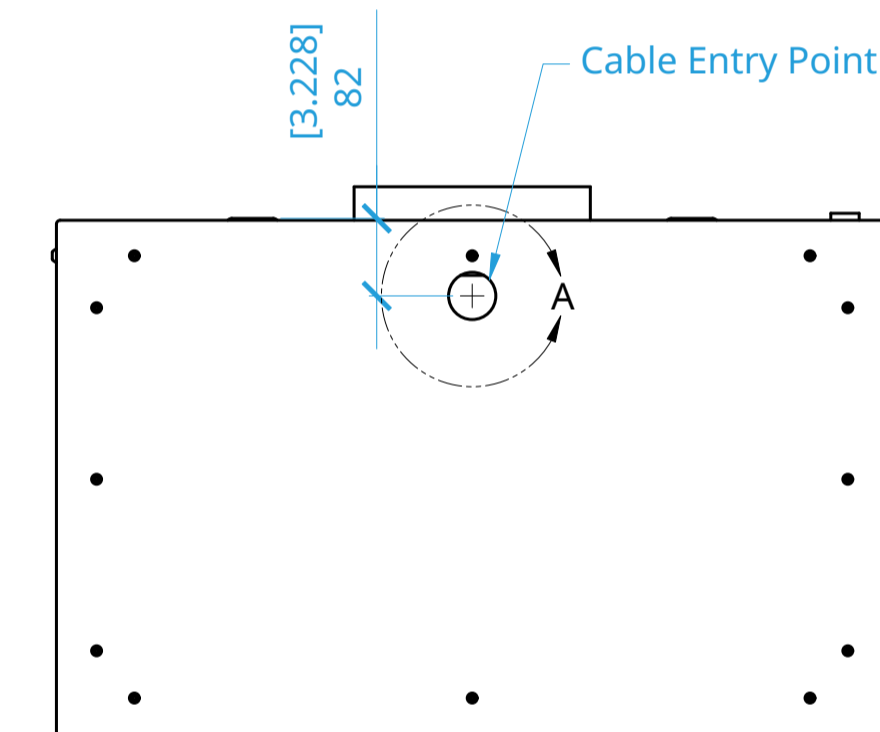
Right



Bottom



Top



C - Fixing Point Detail 1:3

Access Door

NOTES:

- ALL DIMENSIONS ARE IN 'MM' UNLESS SPECIFIED IN "[x]".
- ANY HAZARD SYMBOLS ARE TO BE READ IN CONJUNCTION WITH ANY RISK ASSESSMENT IF NUMBERED.
- THIS DRAWING IS PROPERTY OF DISPLAY TECHNOLOGIES LTD & IS STRICTLY CONFIDENTIAL. THE DRAWING SPECIFICATION & ITS CONTENTS MUST NOT BE DISCLOSED TO ANY THIRD PARTY WITHOUT PRIOR CONSENT.
- DRAWING SCALE IS ANNOTATED ON EVERY VIEW. IF IN DOUBT - ASK THE DESIGNER.
- DISPLAY TECHNOLOGIES RESERVE THE RIGHT TO MAKE DESIGN ALTERNATIONS THROUGHOUT CONTINUOUS PRODUCT DEVELOPMENT - IS IT THE CLIENTS RESPONSIBILITY TO ENSURE THEY REQUEST THE LATEST DESIGN REVISION.

SYMBOLS:

- PROVIDES A REFERENCE NUMBER FOR ADDITIONAL NOTATION.
- HIGHLIGHTS SPECIFIC MANUFACTURING INFORMATION.
- HIGHLIGHTS A HAZARD & OR A RESIDUAL RISK ASSOCIATED WITH THE DESIGN RISK ASSESSMENT.

REV	DESCRIPTION	DATE	INITIALS
0	ORIGINAL ISSUE.	07.03.24	SR
DESIGNED	CHECKED	APPROVED	
S. Ridley	S. Ridley	S. Ridley	
07.03.24	07.03.24	07.03.24	

DRAWING STATUS

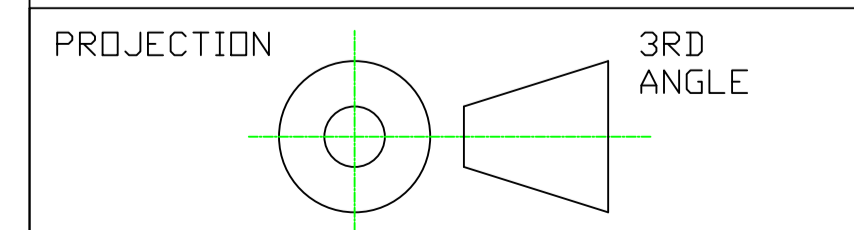
CLIENT ISSUE

TITLE

Detail Drawing

PART NUMBER

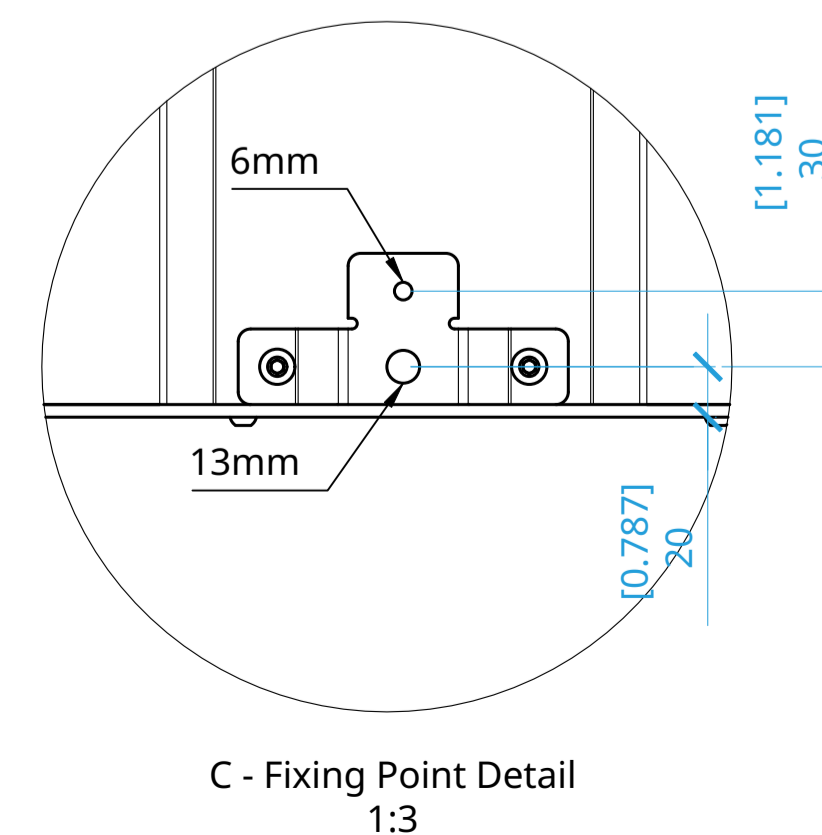
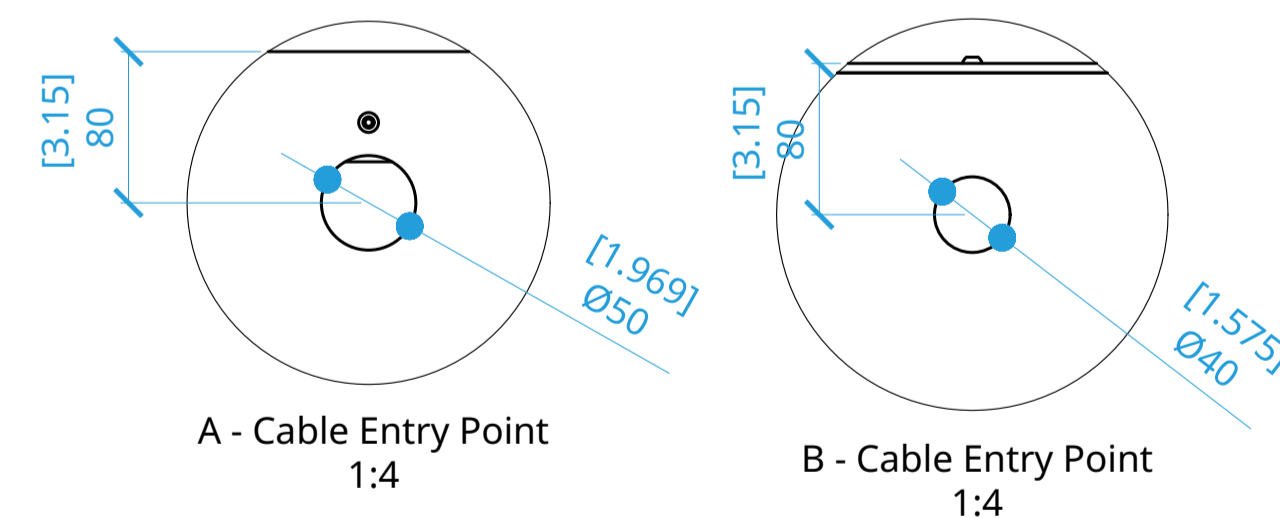
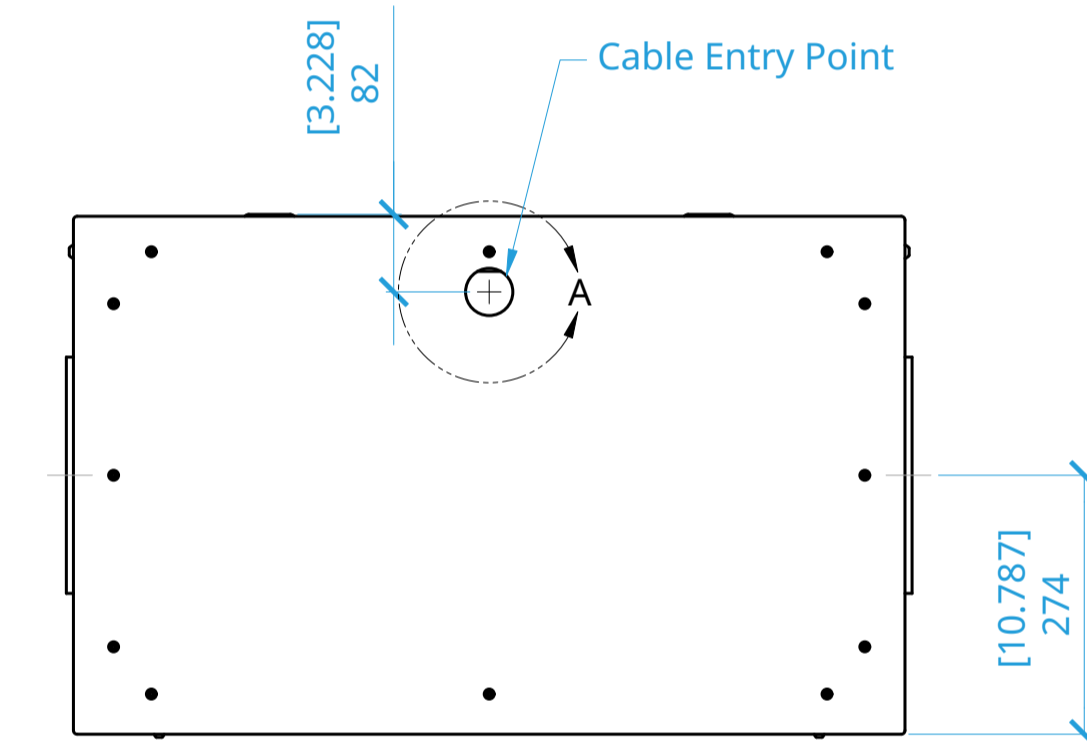
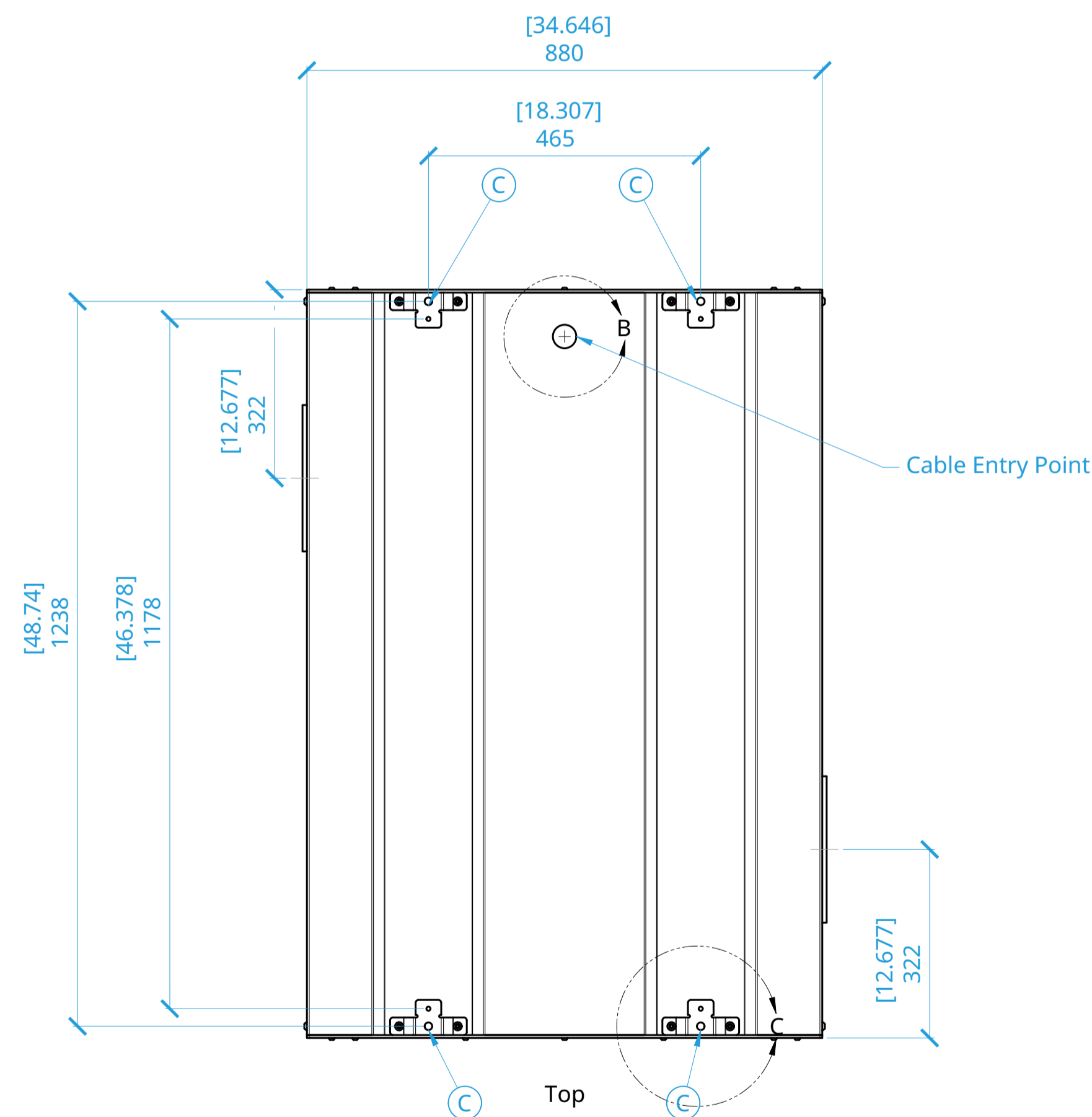
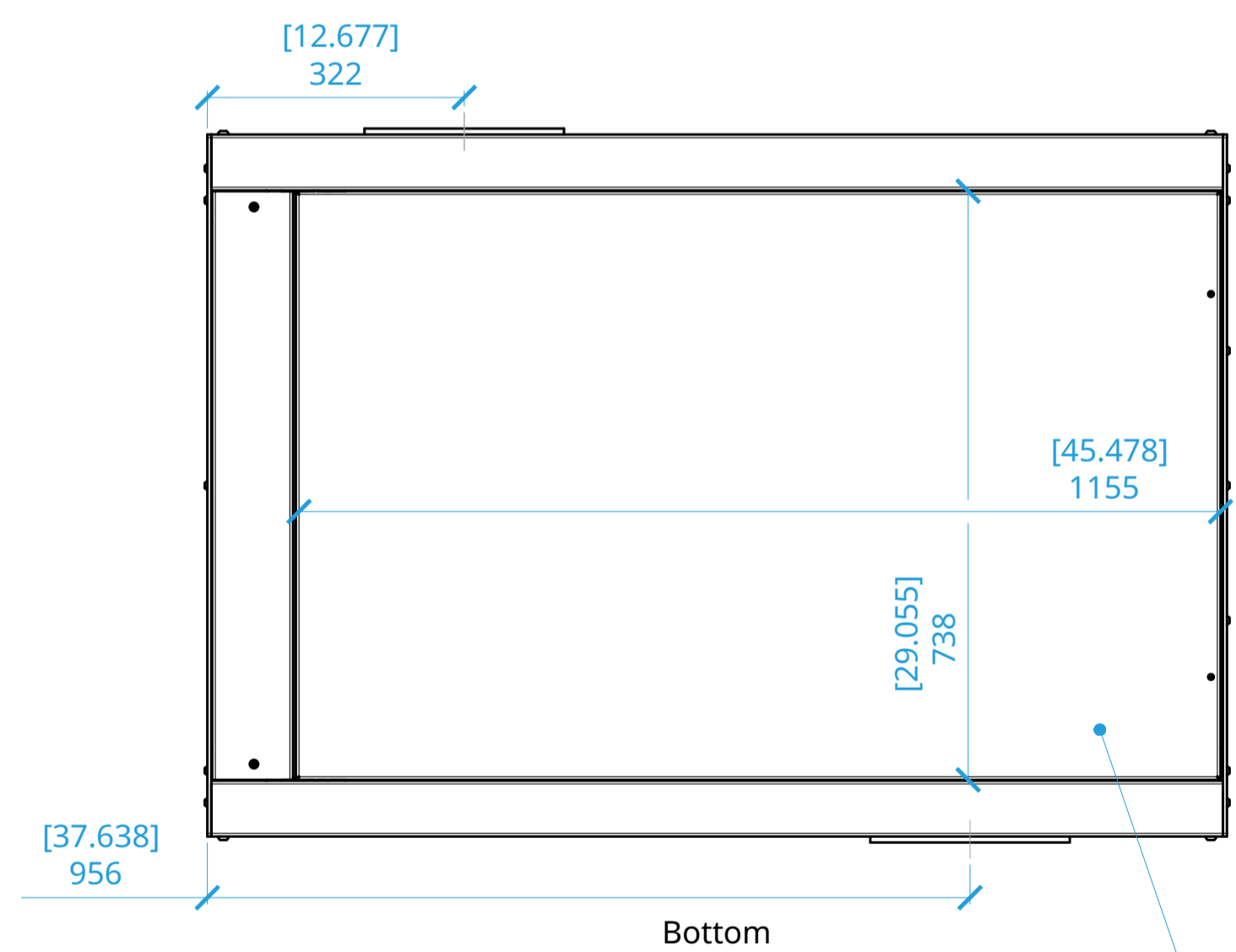
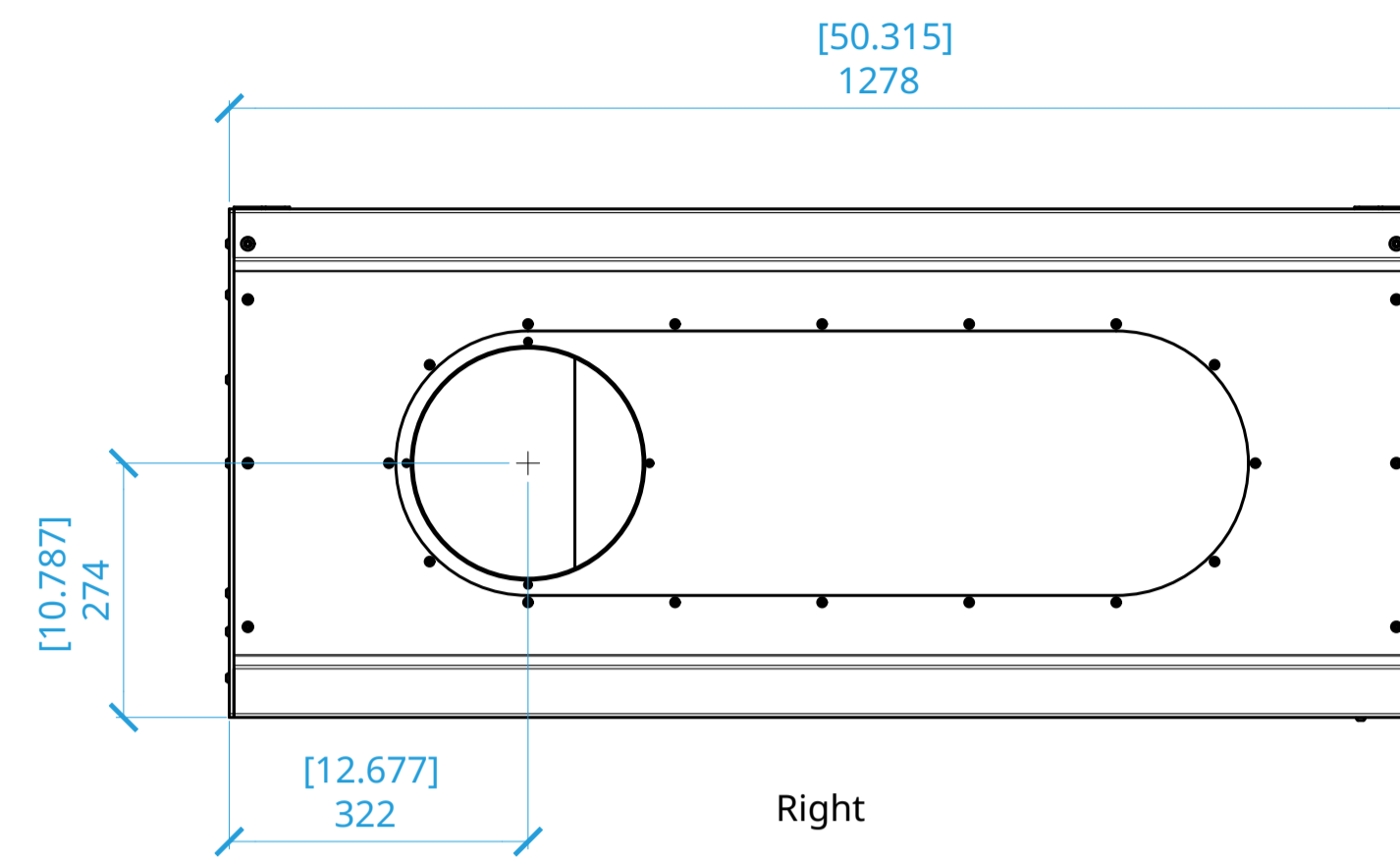
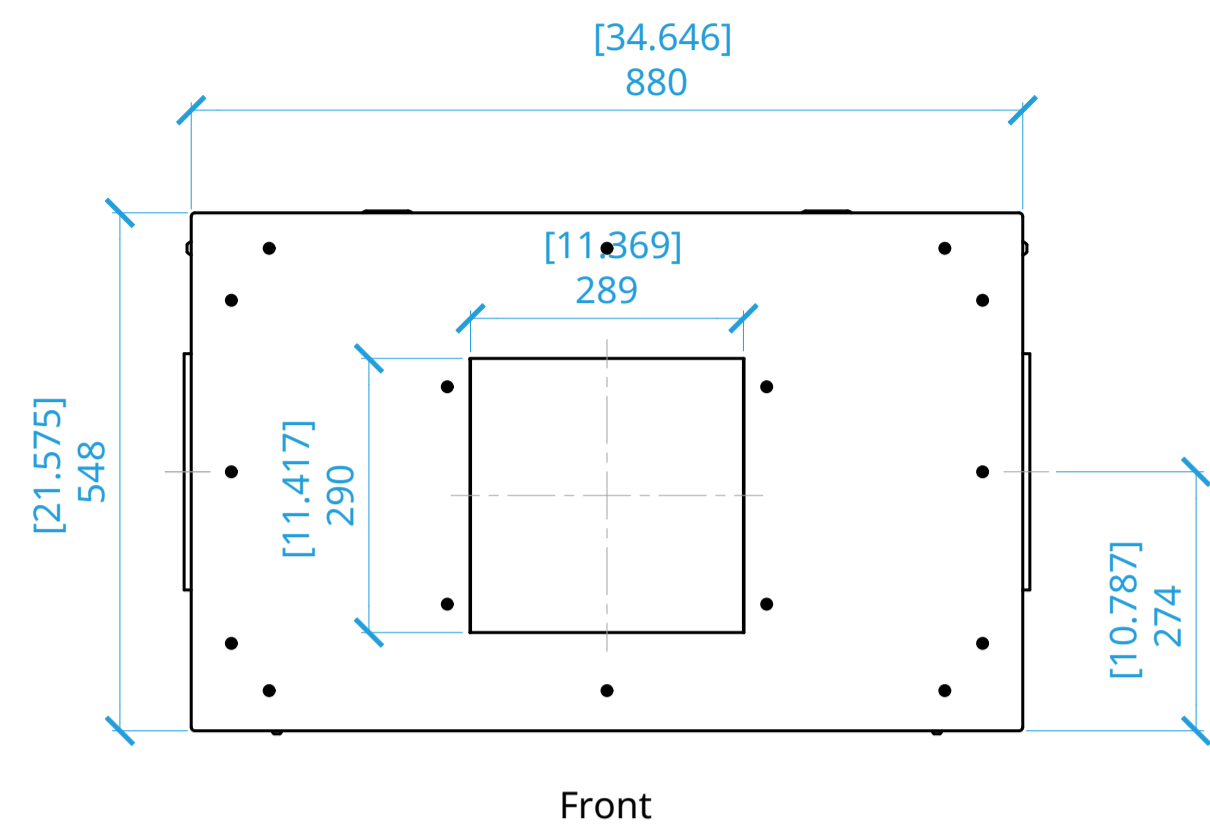
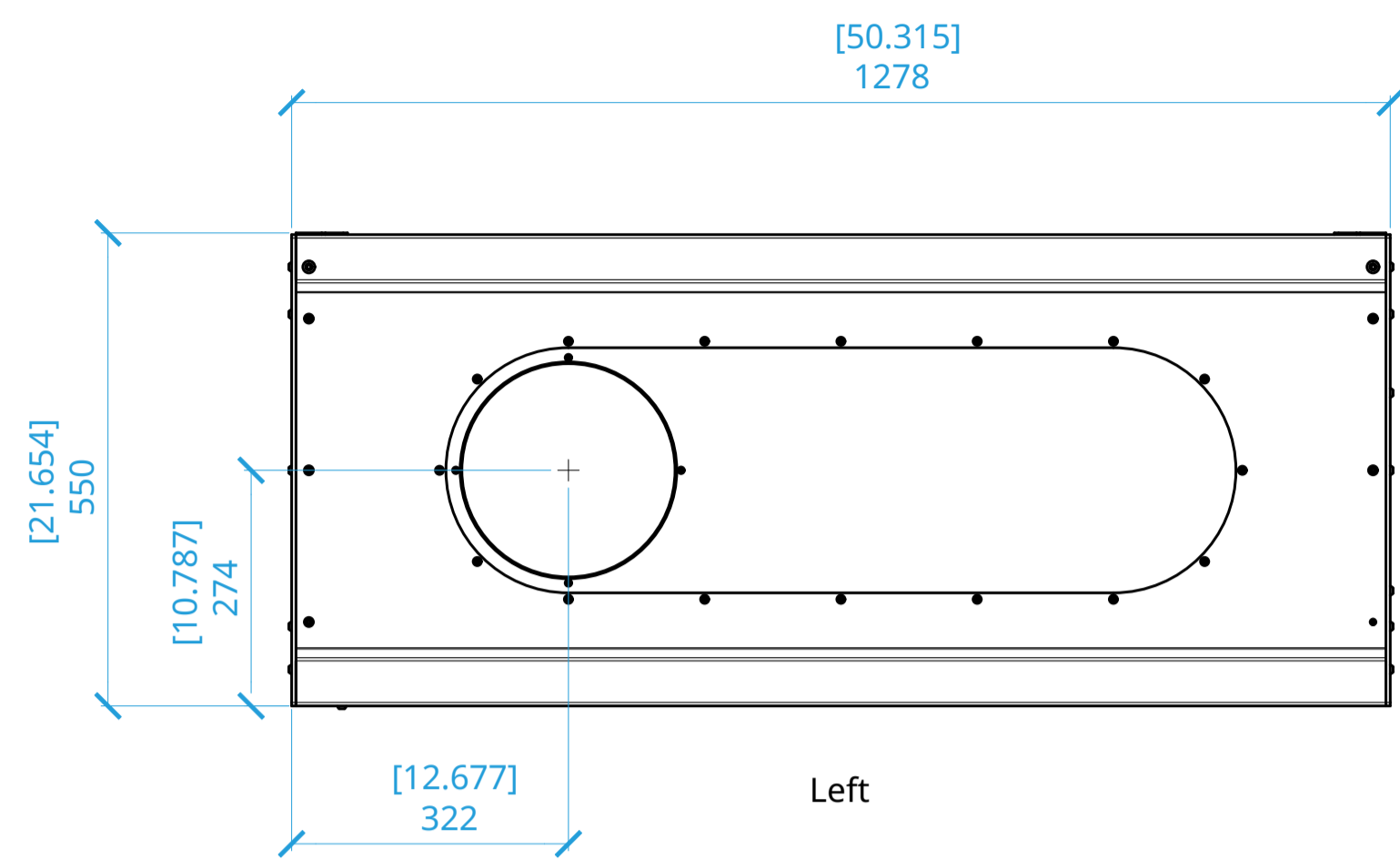
[DT-HB-M+]
[DT-HB-M+-B-250-T]



DRAWING No. DR-09	REV No. 0
----------------------	--------------

Configuration

Model	Colour	Duct Size (mm)	Duct Configuration	SKU
DT-HB-M+	B	250	T	DT-HB-M+-B-200-T



NOTES:

- ALL DIMENSIONS ARE IN 'MM' UNLESS SPECIFIED IN "[x]".
- ANY HAZARD SYMBOLS ARE TO BE READ IN CONJUNCTION WITH ANY RISK ASSESSMENT IF NUMBERED.
- THIS DRAWING IS PROPERTY OF DISPLAY TECHNOLOGIES LTD & IS STRICTLY CONFIDENTIAL. THE DRAWING SPECIFICATION & ITS CONTENTS MUST NOT BE DISCLOSED TO ANY THIRD PARTY WITHOUT PRIOR CONSENT.
- DRAWING SCALE IS ANNOTATED ON EVERY VIEW. IF IN DOUBT - ASK THE DESIGNER.
- DISPLAY TECHNOLOGIES RESERVE THE RIGHT TO MAKE DESIGN ALTERNATIONS THROUGHOUT CONTINUOUS PRODUCT DEVELOPMENT - IS IT THE CLIENTS RESPONSIBILITY TO ENSURE THEY REQUEST THE LATEST DESIGN REVISION.

SYMBOLS:

- PROVIDES A REFERENCE NUMBER FOR ADDITIONAL NOTATION.
- HIGHLIGHTS SPECIFIC MANUFACTURING INFORMATION.
- HIGHLIGHTS A HAZARD & OR A RESIDUAL RISK ASSOCIATED WITH THE DESIGN RISK ASSESSMENT.

REV	DESCRIPTION	DATE	INITIALS
0	ORIGINAL ISSUE.	07.03.24	SR

DESIGNED	CHECKED	APPROVED
S. Ridley	S. Ridley	S. Ridley
07.03.24	07.03.24	07.03.24

DRAWING STATUS

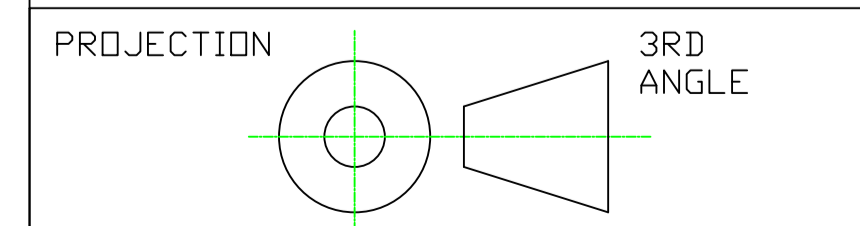
CLIENT ISSUE

TITLE

Detail Drawing

PART NUMBER

[DT-HB-M+]
[DT-HB-M+-B-250-S]



DRAWING No. DR-010	REV No. 0
-----------------------	--------------

Configuration

Model	Colour	Duct Size (mm)	Duct Configuration	SKU
DT-HB-M+	B	250	S	DT-HB-M+-B-200-S



NOTES:

- ALL DIMENSIONS ARE IN 'MM' UNLESS SPECIFIED IN "[x]".
- ANY HAZARD SYMBOLS ARE TO BE READ IN CONJUNCTION WITH ANY RISK ASSESSMENT IF NUMBERED.
- THIS DRAWING IS PROPERTY OF DISPLAY TECHNOLOGIES LTD & IS STRICTLY CONFIDENTIAL. THE DRAWING SPECIFICATION & ITS CONTENTS MUST NOT BE DISCLOSED TO ANY THIRD PARTY WITHOUT PRIOR CONSENT.
- DRAWING SCALE IS ANNOTATED ON EVERY VIEW. IF IN DOUBT - ASK THE DESIGNER.
- DISPLAY TECHNOLOGIES RESERVE THE RIGHT TO MAKE DESIGN ALTERNATIONS THROUGHOUT CONTINUOUS PRODUCT DEVELOPMENT - IS IT THE CLIENTS RESPONSIBILITY TO ENSURE THEY REQUEST THE LATEST DESIGN REVISION.

SYMBOLS:

- PROVIDES A REFERENCE NUMBER FOR ADDITIONAL NOTATION.
- HIGHLIGHTS SPECIFIC MANUFACTURING INFORMATION.
- HIGHLIGHTS A HAZARD & OR A RESIDUAL RISK ASSOCIATED WITH THE DESIGN RISK ASSESSMENT.

REV	DESCRIPTION	DATE	INITIALS
0	ORIGINAL ISSUE.	07.03.24	SR

DESIGNED	CHECKED	APPROVED
S. Ridley	S. Ridley	S. Ridley
07.03.24	07.03.24	07.03.24

DRAWING STATUS

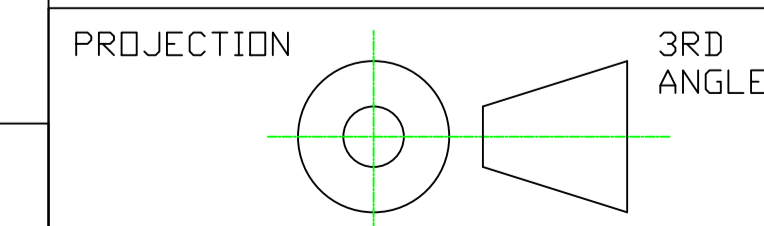
CLIENT ISSUE

TITLE

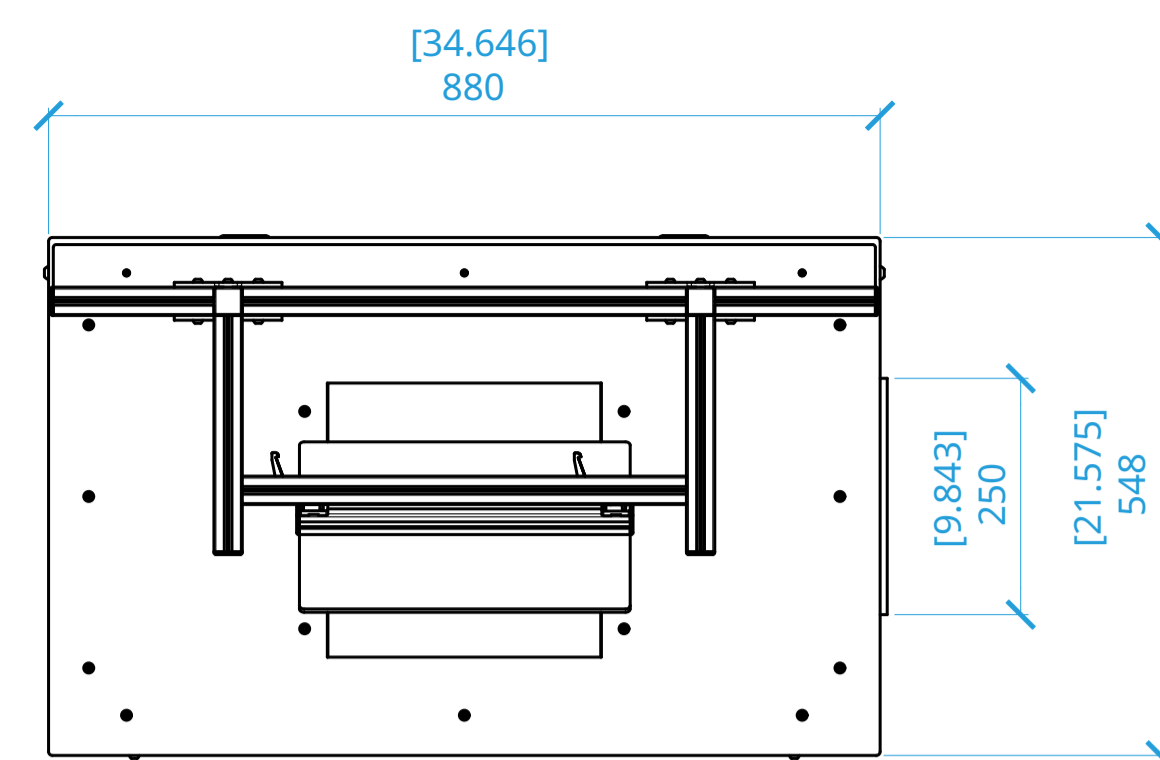
DT-HB-M+ with vertical mirror option (DT-VMO)

PART NUMBER

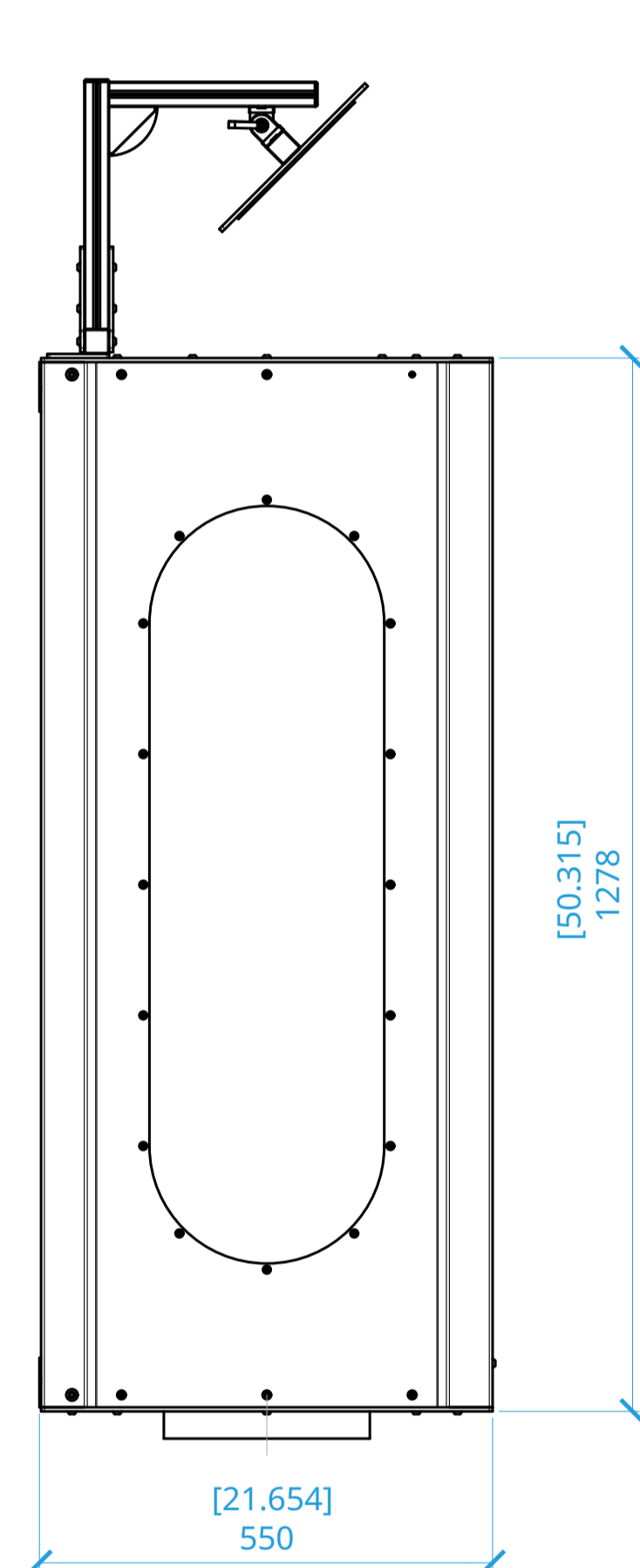
[DT-HB-M+]



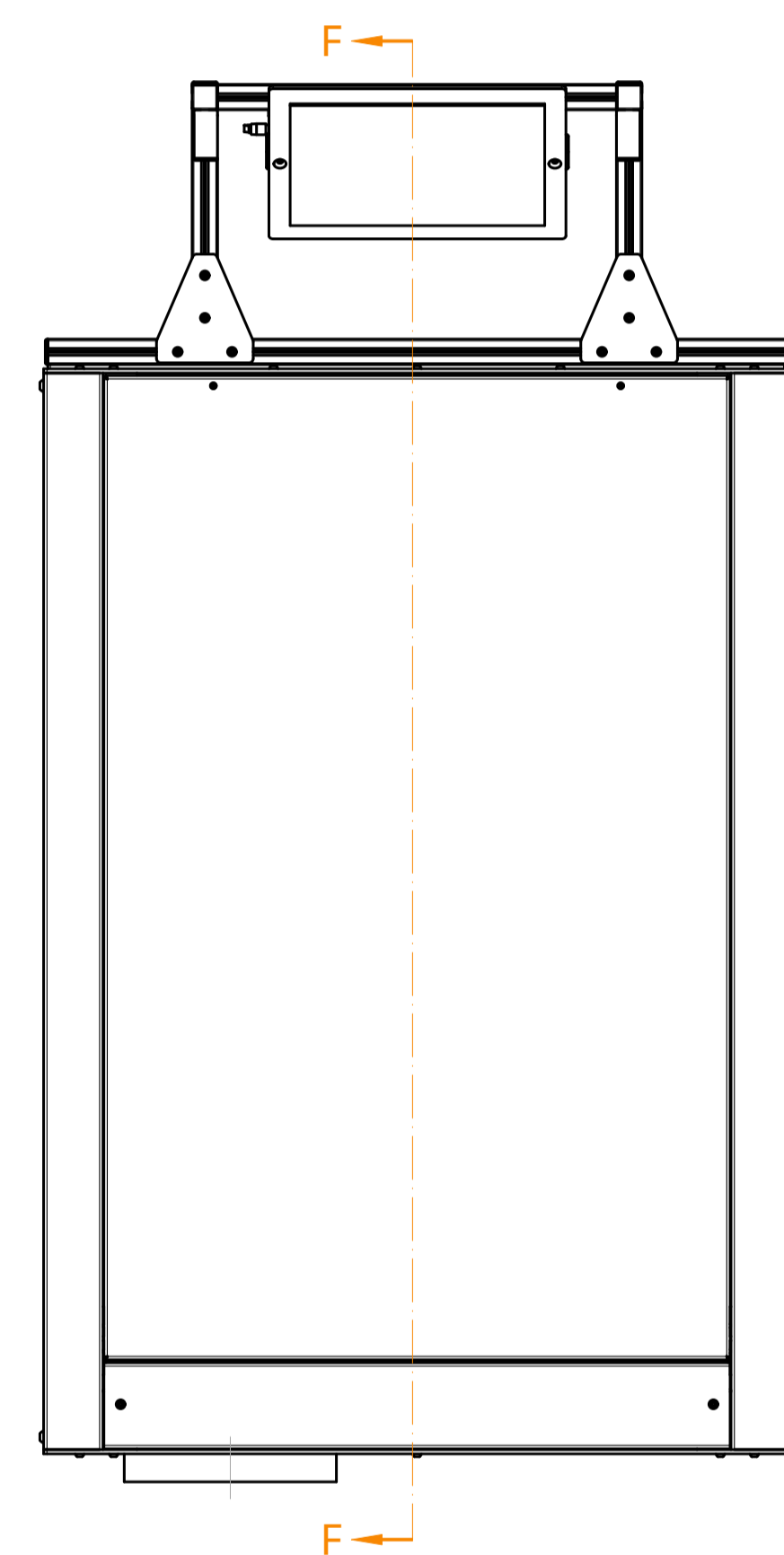
DRAWING No.	REV No.
DR-011	0



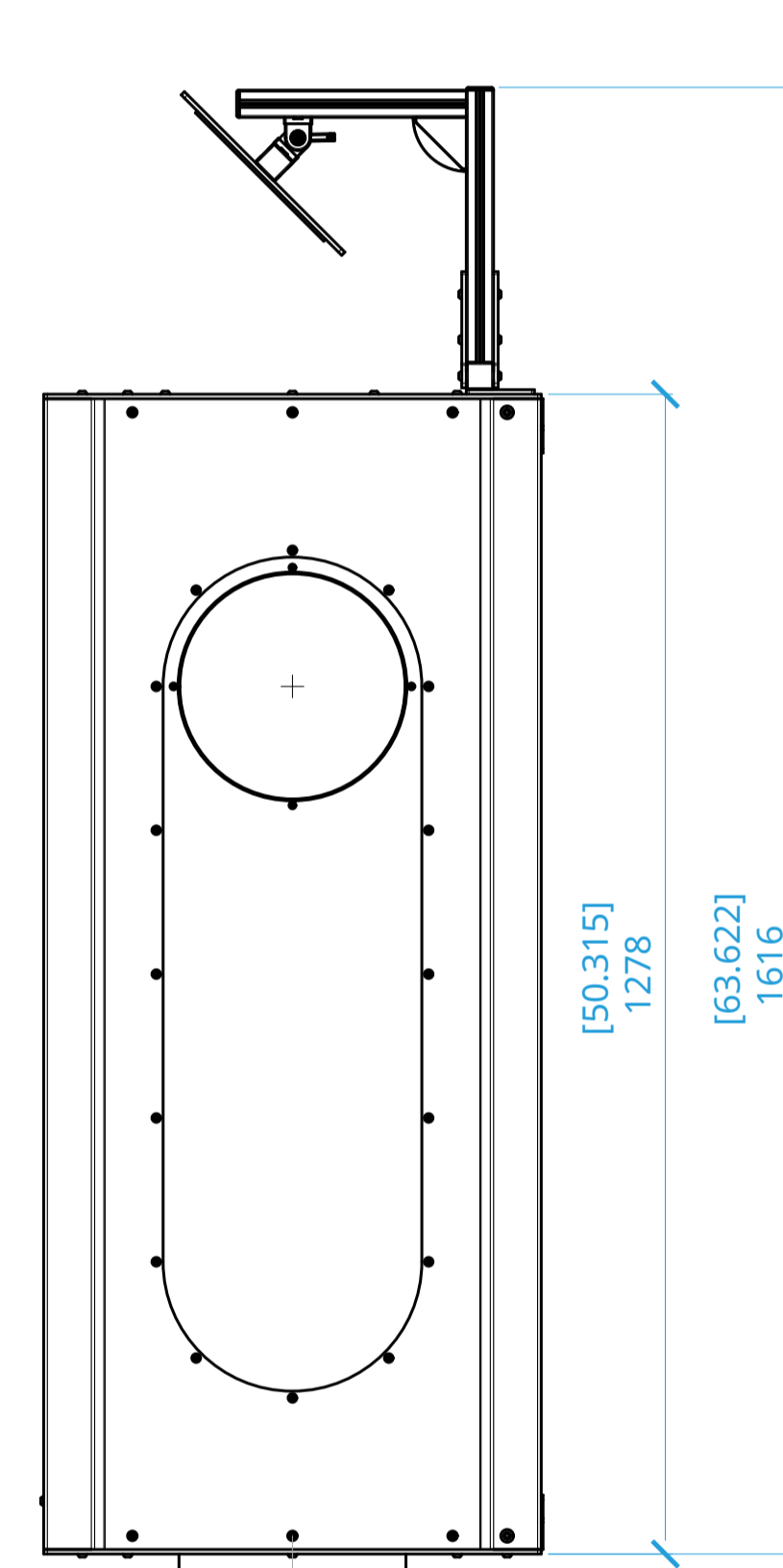
Front
1:8



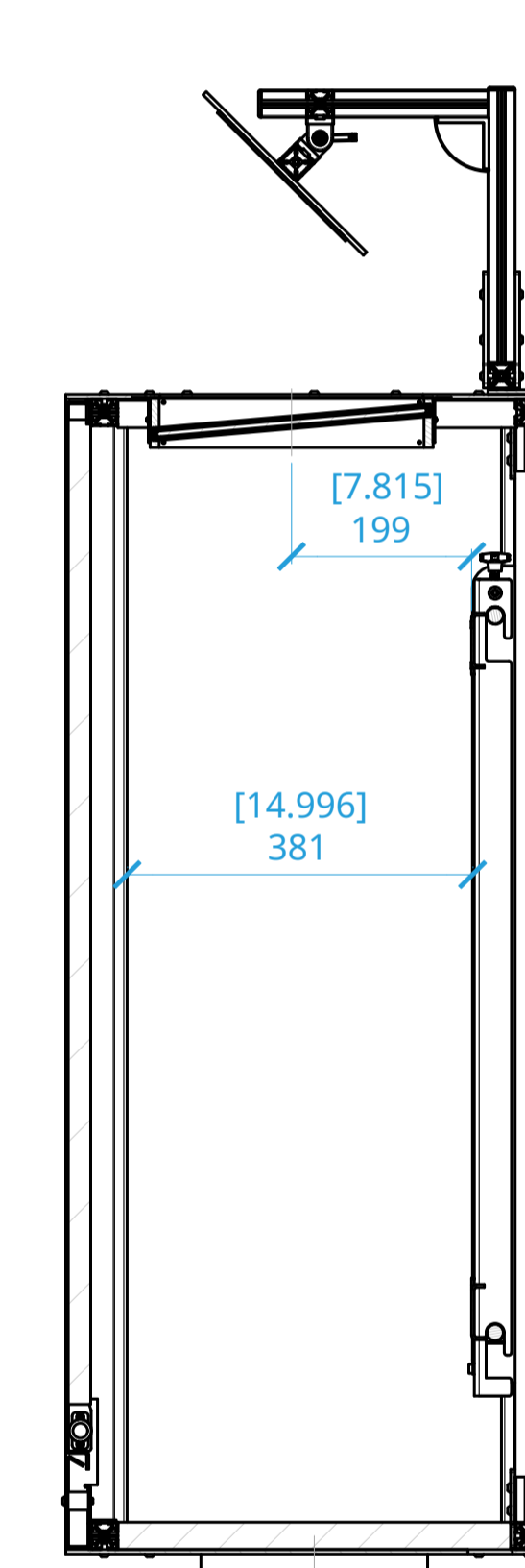
Left
1:8



Bottom
1:8



Right
1:8



F - F

Note

The location and size of the inlet and extract ducts will depend on the configuration specified. See specific configuration drawings for the duct positioning and sizes. They are shown on this drawing for information only.