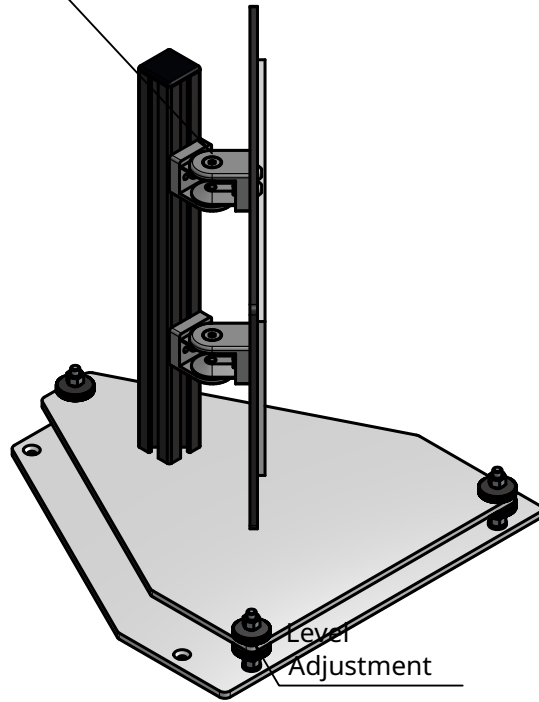
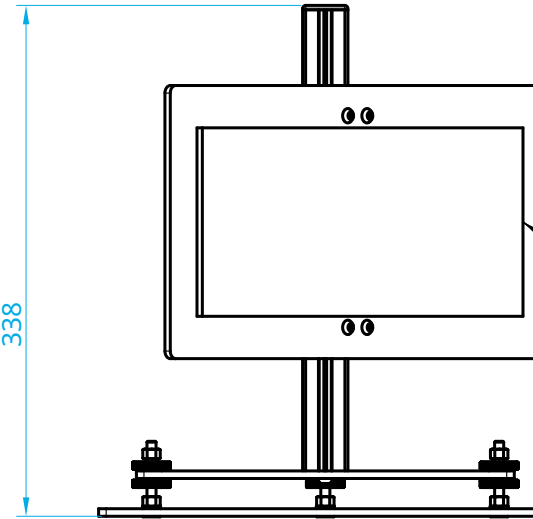


Angle Adjustment



Level Adjustment

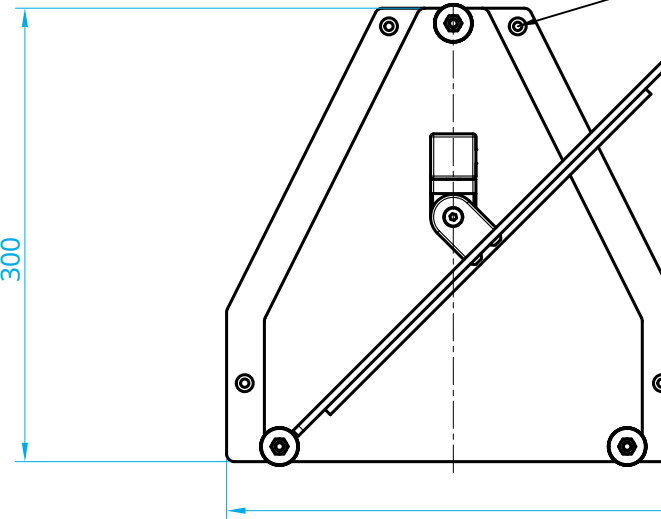
[13,31]
338



Optical Front Surface Mirror

Screw down fixing points

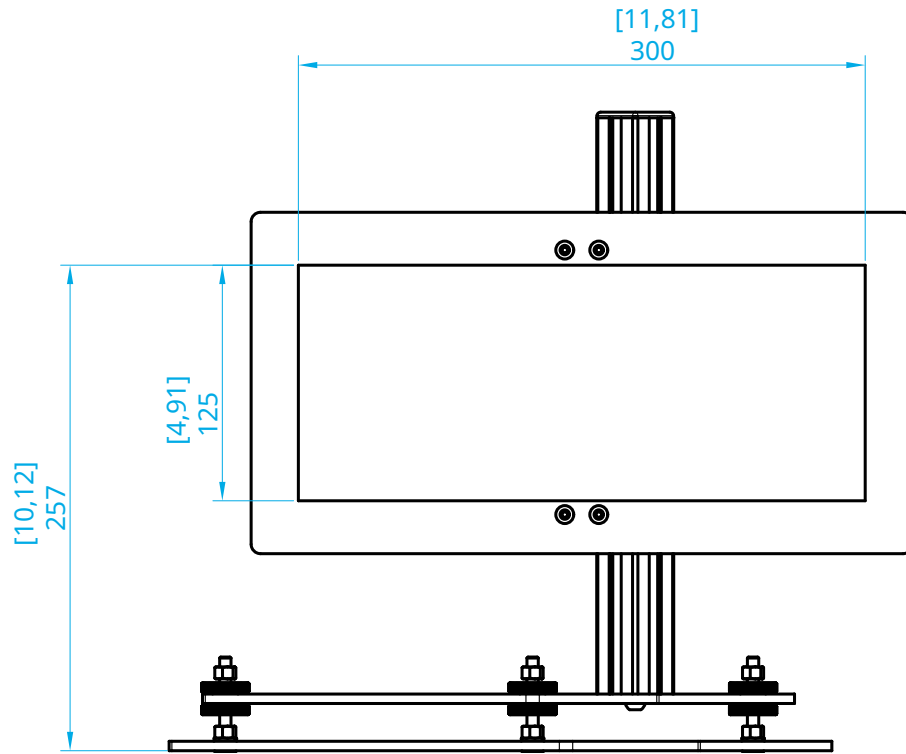
[11,81]
300



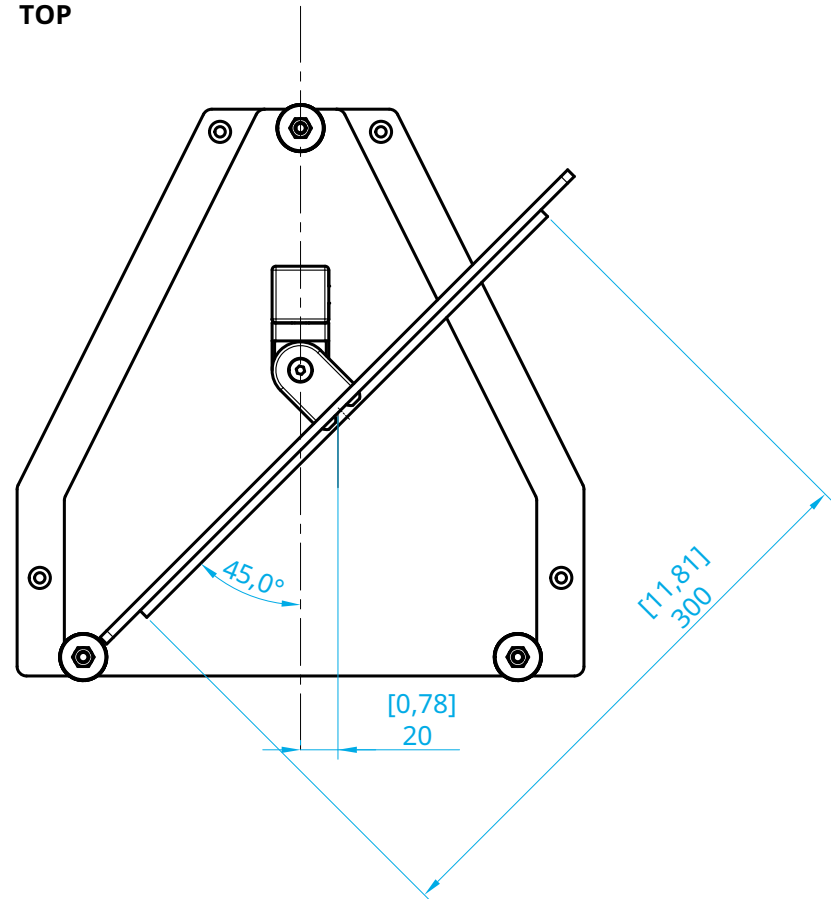
[11,81]
300

UNLESS OTHERWISE SPECIFIED, DIMENSIONS ARE IN MILLIMETERS		NAME	SIGNATURE	DATE		
ANGULAR = ± °		DRAWN	SIMON RIDLEY	2018-11-27		
SURFACE FINISH		CHECKED			TITLE DT-SM Side Mirror Left or Right	
DO NOT SCALE DRAWING		APPROVED				
BREAK ALL SHARP EDGES AND REMOVE BURRS					SIZE	REV
FIRST ANGLE PROJECTION		MATERIAL	FINISH		A4	1.1
		Aluminium			SCALE	WEIGHT
					1:5	3.5kg [7.72lbs]
					SHEET	1 of 2

Viewed perpendicular to mirror



TOP



Note: can be angled left or right. Dimentions are symmetrical