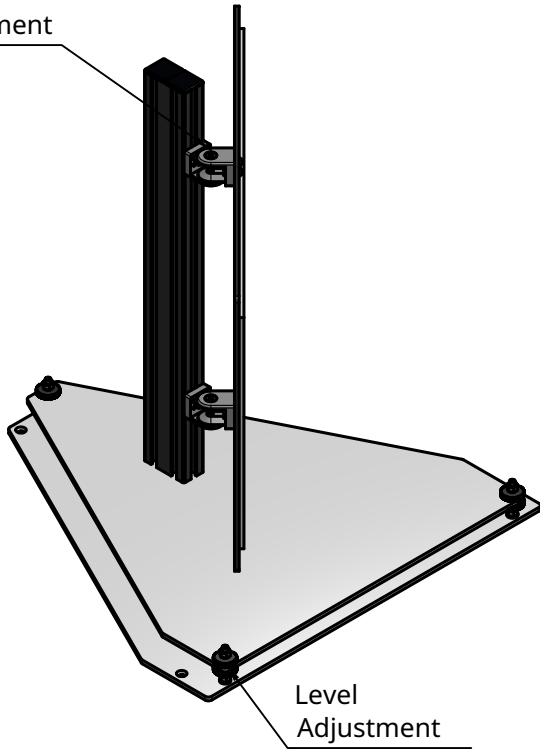
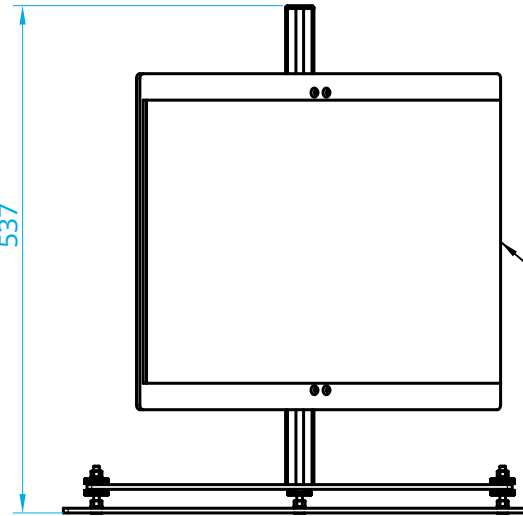


Angle Adjustment



Level Adjustment

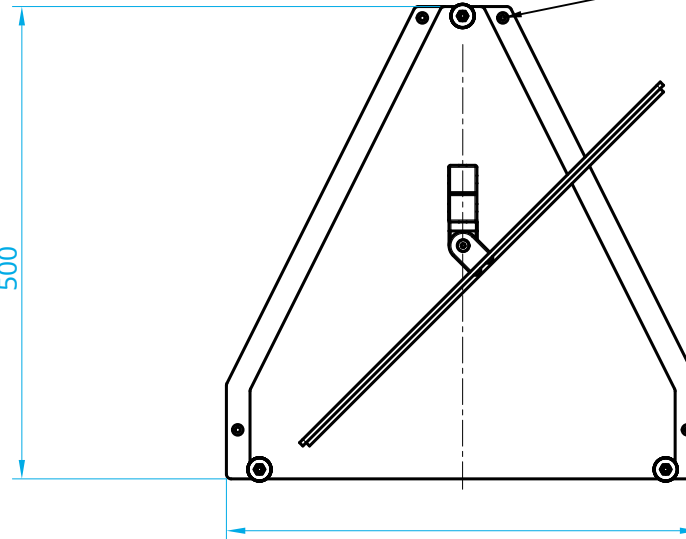
[21,14]
537



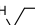
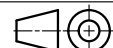

Optical Front Surface Mirror

Screw down fixing points

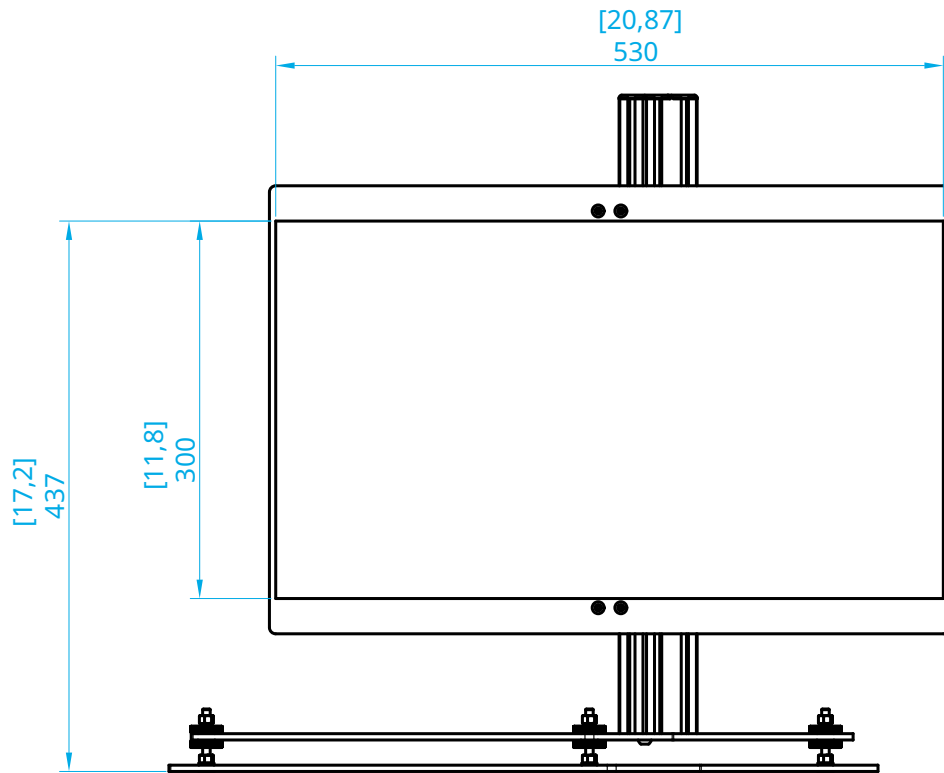
[19,69]
500



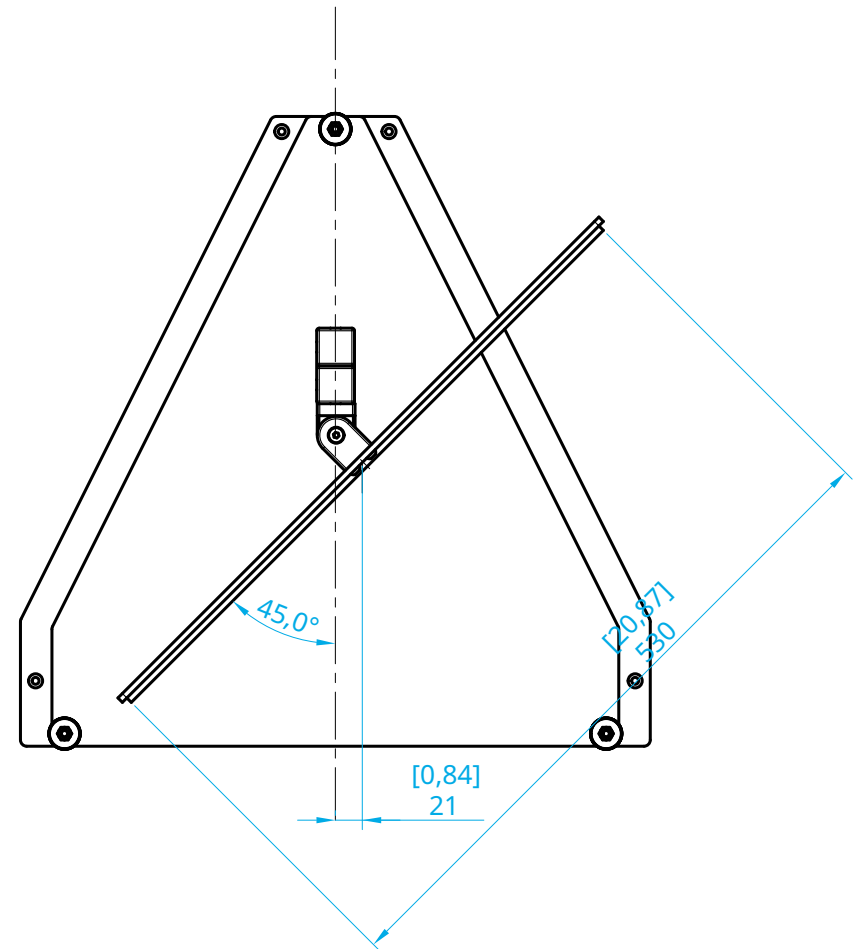
[19,69]
500

UNLESS OTHERWISE SPECIFIED, DIMENSIONS ARE IN MILLIMETERS ANGULAR = ± ° SURFACE FINISH  DO NOT SCALE DRAWING BREAK ALL SHARP EDGES AND REMOVE BURRS FIRST ANGLE PROJECTION 	NAME	SIGNATURE	DATE			
	DRAWN	SIMON RIDLEY	2020-06-08			TITLE
	CHECKED				DT-SM-XL Side Mirror XL Left or Right	
	APPROVED					
MATERIAL	FINISH		SIZE	DWG NO.	REV.	
Aluminium			A4	DT-SM-XL-1	1.0	
			SCALE	WEIGHT	SHEET	
			1:8	9.2kg 20.3lbs]	1 of 2	

Viewed perpendicular to mirror



TOP



Note: can be angled left or right. Dimentions are symetrical