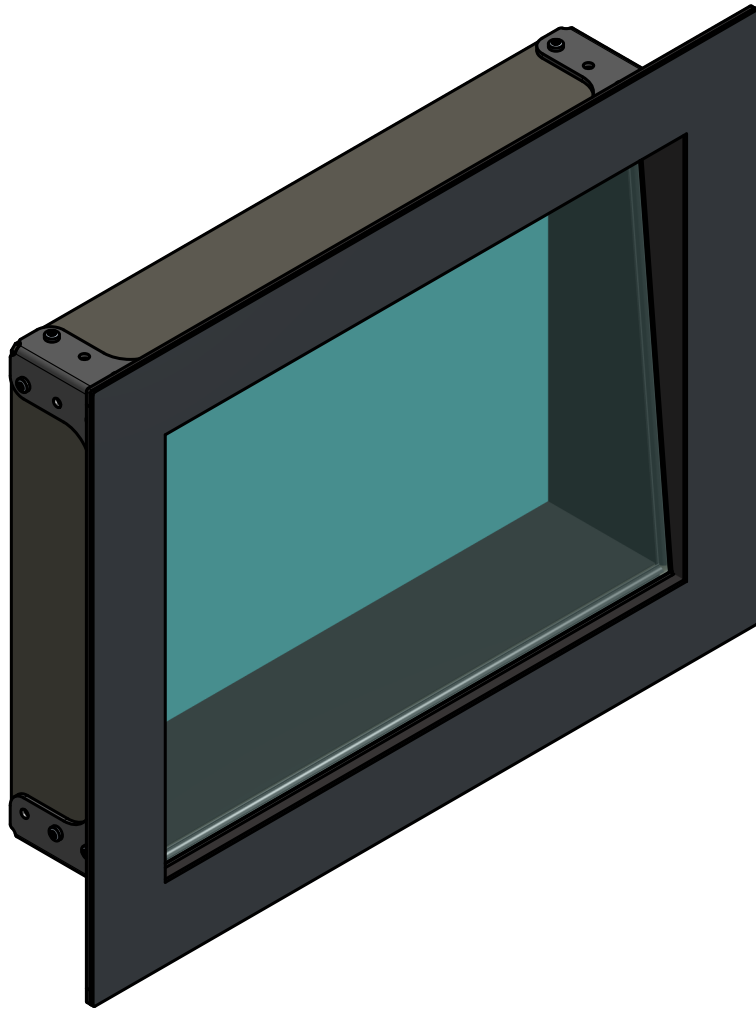
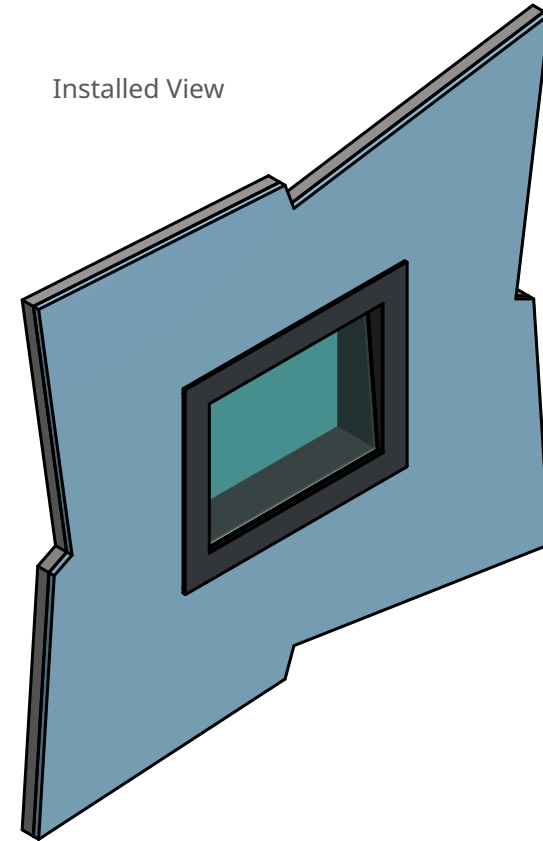



DT-PH-2

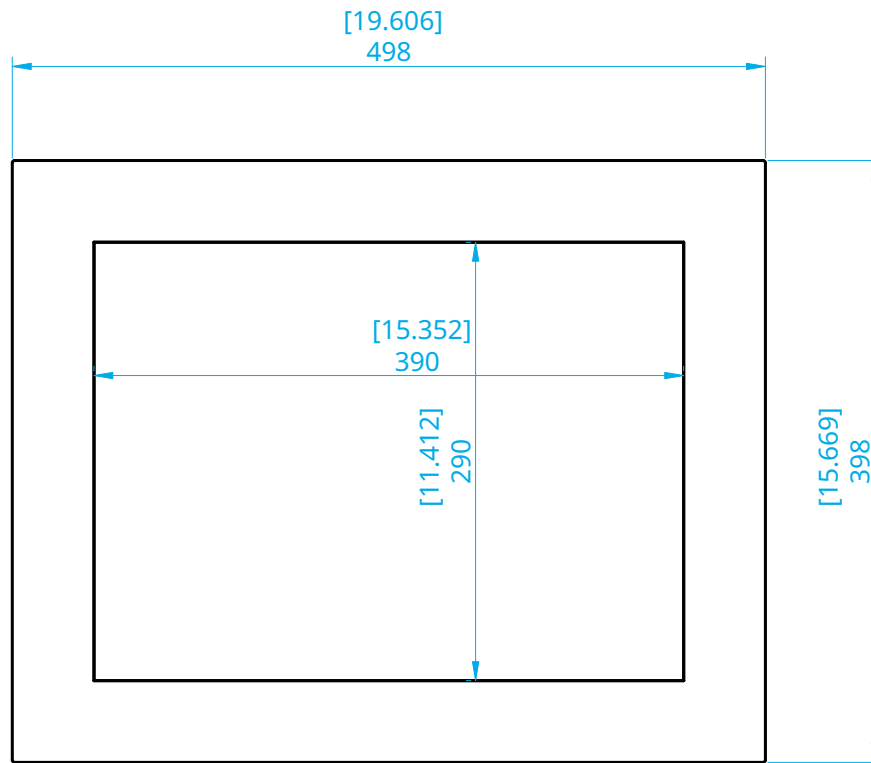


Installed View

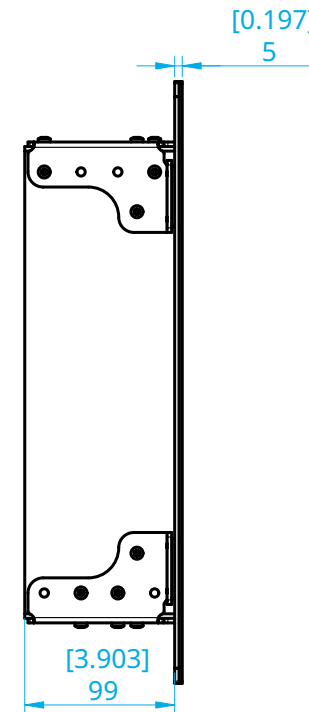


APPROVAL SIGNATURE		Approval Date		 Display Technologies Ltd www.displaytechnologies.co.uk info@displaytechnologies.co.uk	SIZE A4	TITLE DT-PH-1 PORT HOLE	
					SCALE 1:4	QUOTE REF. DT-PH-1	
UNLESS OTHERWISE SPECIFIED, DIMENSIONS ARE IN MILLIMETERS				ALL DRAWINGS ARE SUBJECT TO CHANGE AS WE CONTINUALLY DEVELOP OUR PRODUCTS WHICH FROM TIME TO TIME WE WILL RELEASE AS PART OF OUR CONTINUAL IMPROVEMENT PROCESS. DRAWINGS ARE SUBJECT TO OUR NORMAL MANUFACTURING TOLERANCE.			
				DATE	2021-10-19	SHEET	1 of 3

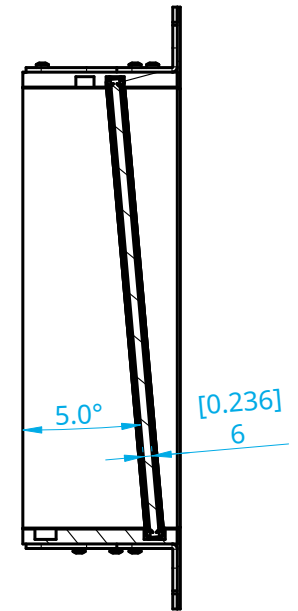
DIMENSIONS



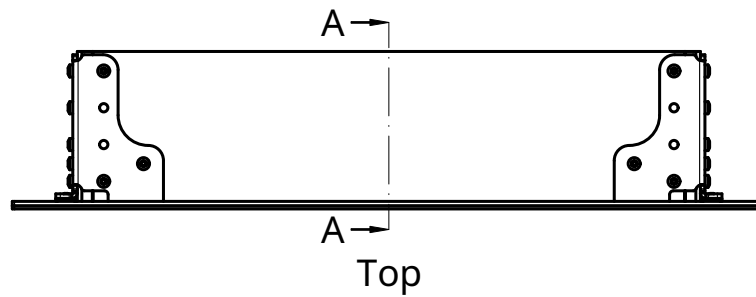
Front

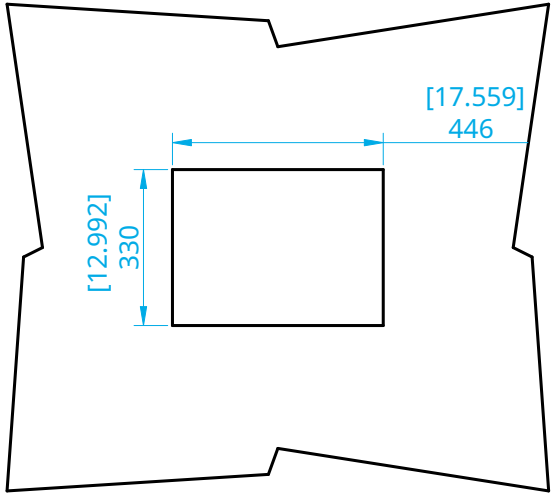


Left

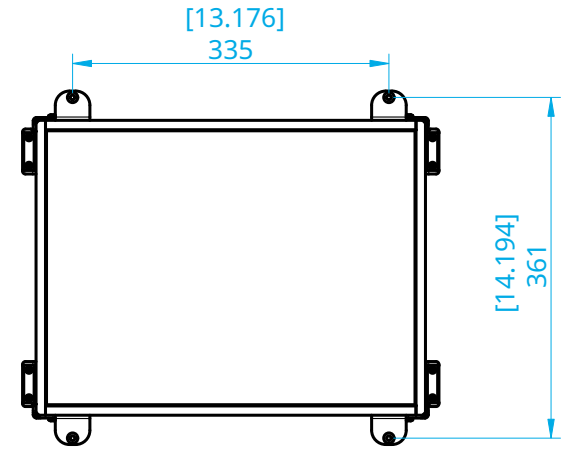


Section A - A

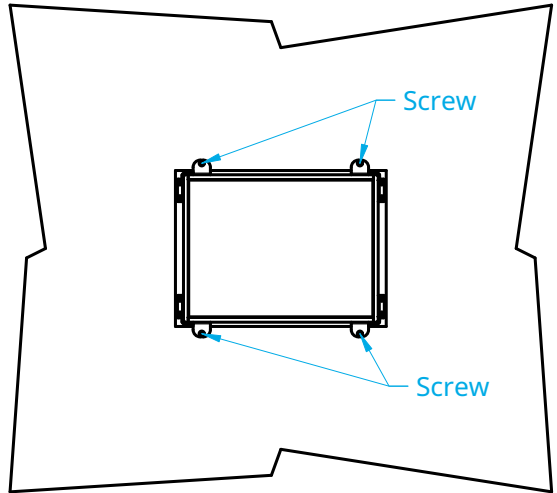




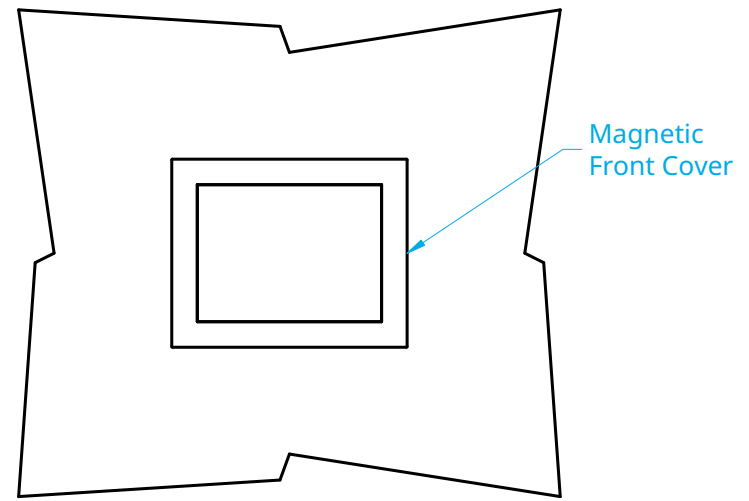
Wall Cutout



Fixing Locations
1:8



Installed Without Cover



Installed

