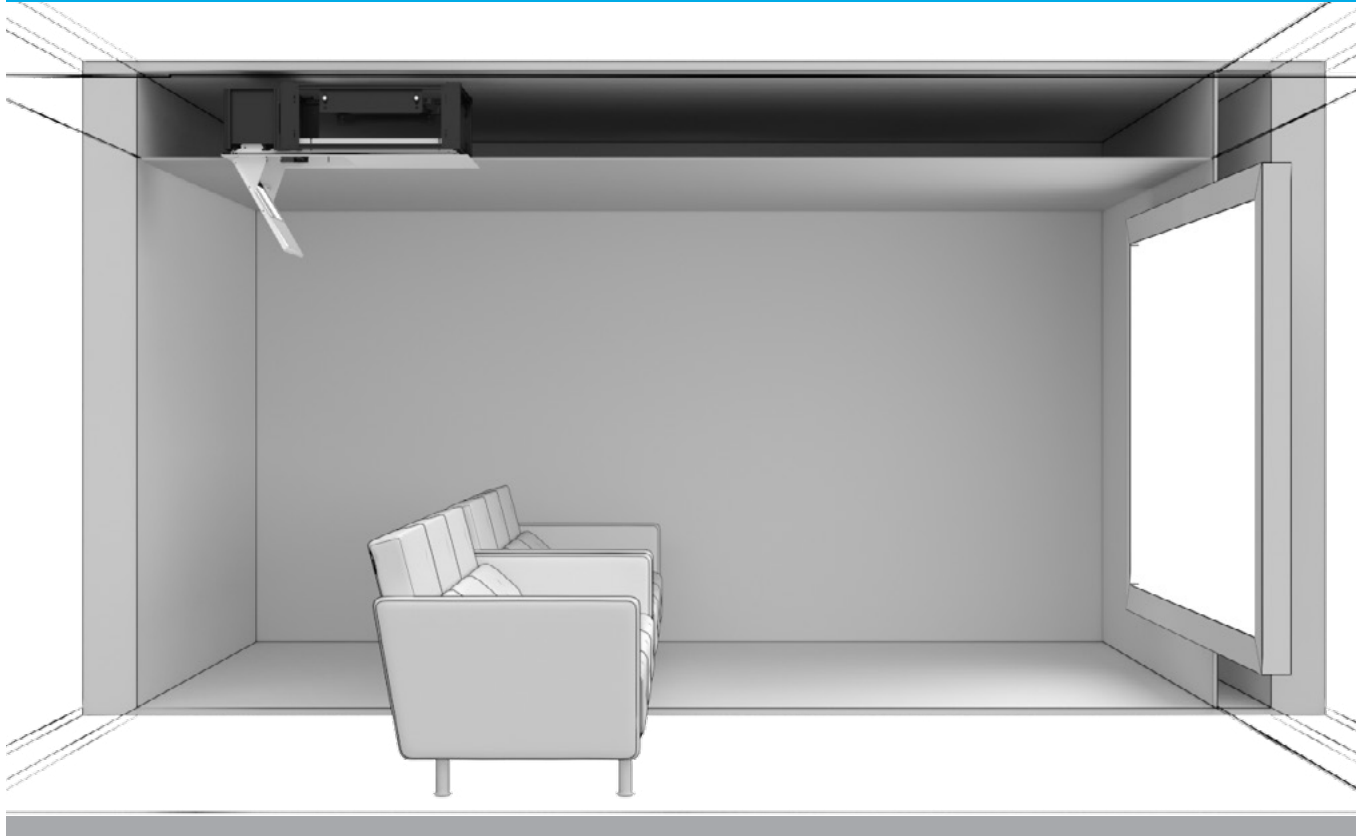




# Motorised Mirror Drop Short Throw

[DT-MMD-ST]

In-ceiling mirror drop short throw for projector mounting and concealing using a compact folding mirror system



## MOUNTS AND MIRRORS

### MOTORISED MIRROR DROP SHORT THROW - [DT-MMD-ST]

In ceiling mirror drop short throw for projector mounting and concealing using a compact folding mirror system

DT Motorised Mirror Drop-ST is an in-ceiling projector mount featuring dual high performance optical mirrors, custom projector interface and flexible alignment adjustment.

It is intended for applications where it is aesthetically advantageous to hide the shorter throw projectors in the ceiling – only dropping the compact mirror system when the projector is in use.

### PRODUCT HIGHLIGHTS:

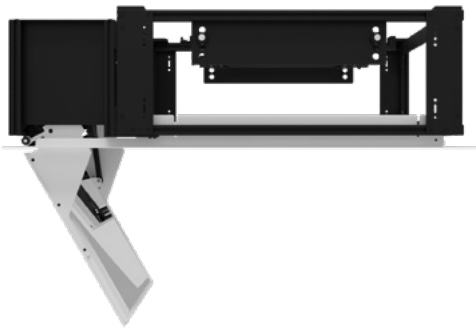
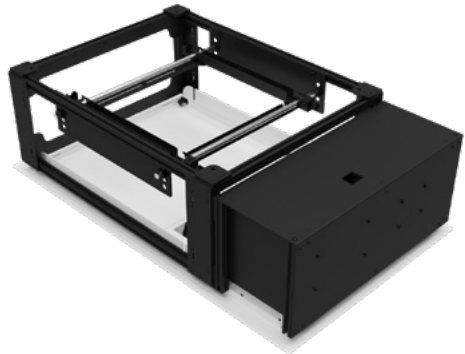
- Concealed projector mounting
- Removes intrusive overhead projector mounting
- Removes direct overhead projection noise
- Enables shorter throw installation while hiding the projector visually



# Motorised Mirror Drop Short Throw

[DT-MMD-ST]

In-ceiling mirror drop short throw for projector mounting and concealing using a compact folding mirror system



**The projector interface** enables different mounting configurations of the projector to be fixed directly to the MMD-ST quickly and easily.

**The two-part system** allows the basic frame to be installed during the first fix of the project. The Mirror module contains all the lift mechanism and controls and is simply fitted on simple location slots for final installation and commissioning.

**Featuring DT mounts Actuator Position Logic (APL)** makes it straightforward to set exact stops and closed positions for simple recall via 12v trigger, IR, IP, or RS232.

## TECHNICAL SPECIFICATION:

- Overall Weight = 42kg [92.59 lbs]
- Projector Specification:
  - Weight (inc. lens) Up to 50kg
  - Maximum fixing hole spacing 440mm wide x 453mm - M8 Max
  - Minimum Throw 1.1



Scan the QR code or follow the link  
[info.displaytechnologies.co.uk/DT-MMD-ST](http://info.displaytechnologies.co.uk/DT-MMD-ST)  
for full product information.

This product is proudly  
**MADE IN BRITAIN**