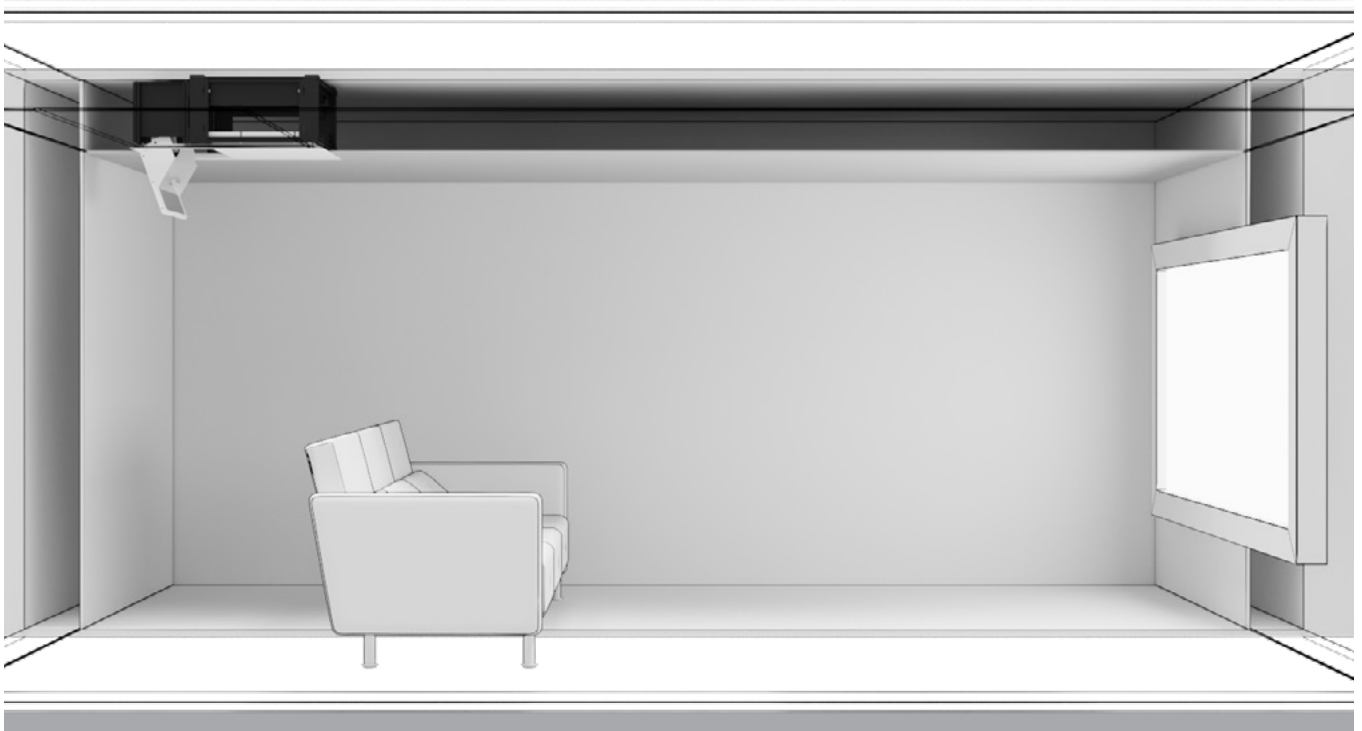




Motorised Mirror Drop Small

[DT-MMD-S]

In-ceiling mirror drop for projector mounting and concealing using a compact folding mirror system



DT MOUNTS AND MIRRORS

MOTORISED MIRROR DROP SMALL - [DT-MMD-S]

In-ceiling mirror drop for projector mounting and concealing using a compact folding mirror system

DT Motorised Mirror Drop-S is an in-ceiling projector mount featuring dual high performance optical mirrors, custom projector interface and flexible alignment adjustment.

It is intended for applications where it is aesthetically advantageous to hide the projector in the ceiling – only dropping the compact mirror system when the projector is in use.

PRODUCT HIGHLIGHTS:

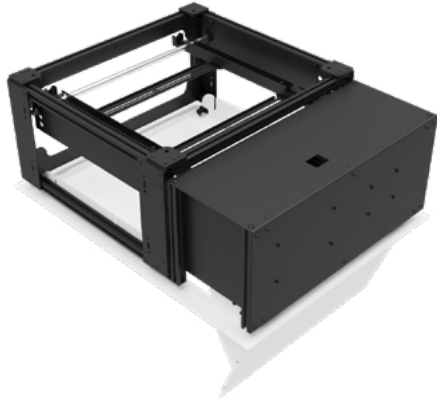
- Concealed projector mounting
- Removes intrusive overhead projector mounting
- Removes direct overhead projection noise
- Enables image to be projected from further back in a room



Motorised Mirror Drop Small

[DT-MMD-S]

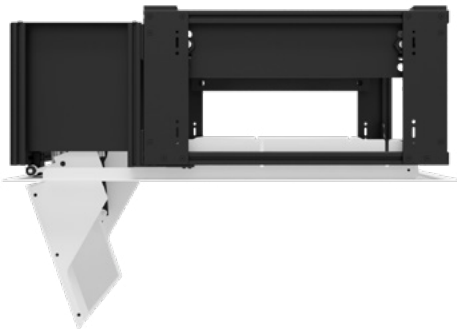
In-ceiling mirror drop for projector mounting and concealing using a compact folding mirror system



The projector interface enables different mounting configurations of the projector to be fixed directly to the MMD-S quickly and easily.

The two-part system allows the basic frame to be installed during the first fix of the project. The Mirror module contains all the lift mechanism and controls and is simply fitted on simple location slots for final installation and commissioning.

Featuring DT mounts Actuator Position Logic (APL) makes it straightforward to set exact stops and closed positions for simple recall via 12v trigger, IR, IP, or RS232.



TECHNICAL SPECIFICATION:

- Overall Weight = 38kg [83.78lbs]
- Projector Specification:
 - Weight (inc. lens) Up to 50kg
 - Maximum fixing hole spacing 440mm wide x 453mm - M8 Max
 - For projectors up to 600 x 600 x 270mm
 - Minimum Throw 1.4



Scan the QR code or follow the link
info.displaytechnologies.co.uk/DT-MMD-S
for full product information.

This product is proudly
MADE IN BRITAIN